



# Headgear Kit for 7-1/2' "LD" Blades Parts List and Diagrams

## Table Of Contents

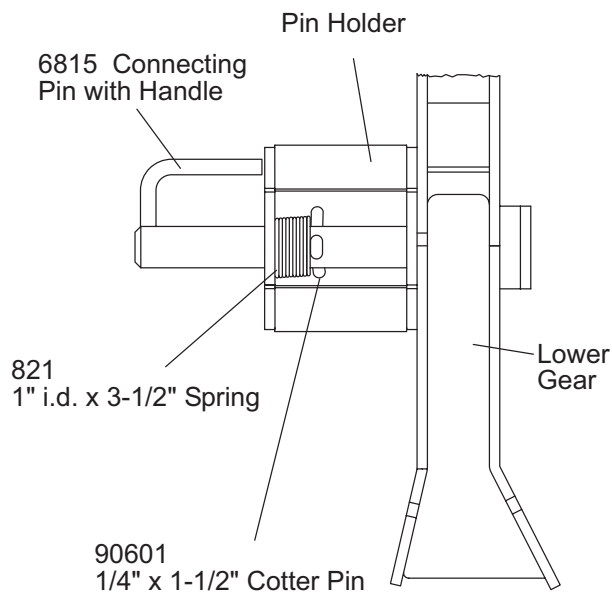
Headgear Assembly .....	2
Headgear Bolt Bag Parts List .....	2
Connecting Pin .....	3
Jack Leg and Support.....	3
Torsion Spring .....	3

### Headgear Parts List

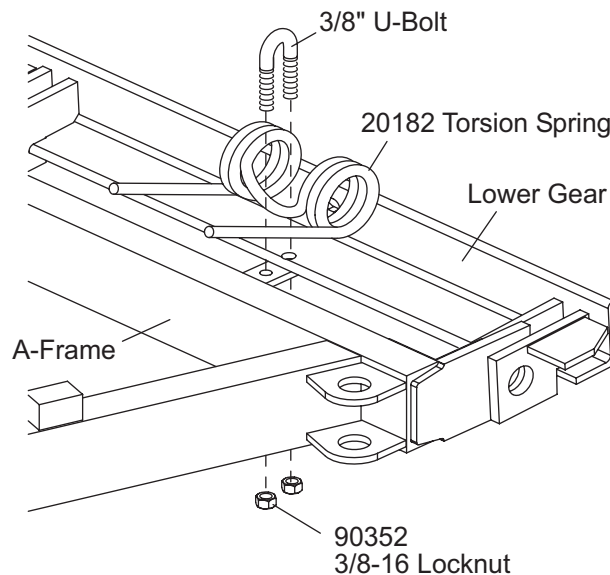
22135 Headgear Kit					
Part #	Qty Req	Description	Part #	Qty Req	Description
8561	1	Lower Gear	8202	1	Release Rod
22090	1	Headgear	95229	1	Small Parts Kit, 22135
22088	2	Headgear Brace	<b>95229 Small Parts Kit</b>		
21920	1	Lift Arm	8180	1	Jack Lever
8183	1	Jack Support	20795	2	Flexible Blade Guide 26"
8184	1	Jack Leg	20182	1	Torsion Spring
22196	1	Bolt Bag	8498	2	Bolting Bar



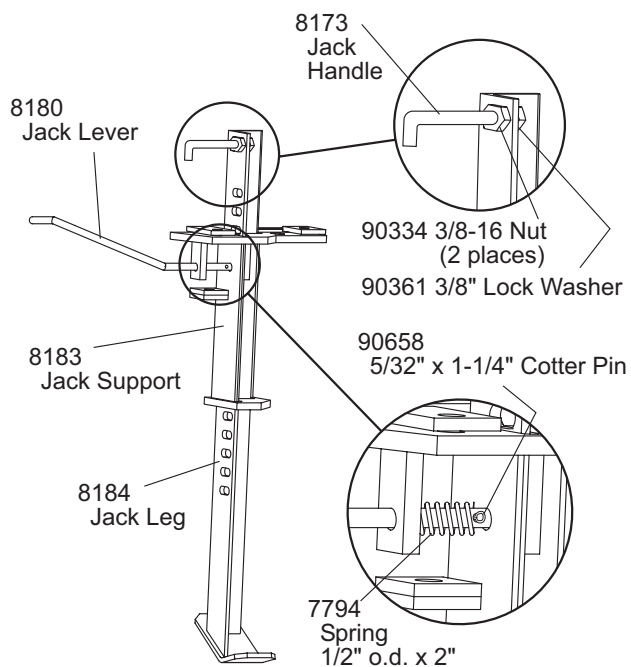
### Connecting Pin Assembly – 6920K



### Torsion Spring Kit – 20185



### Jack Leg and Support



Torsion Spring Kit – 20185			
Ref #	Part #	Qty	Description
-	20182	1	Torsion Spring
-	*	1	3/8-16 U-Bolt
-	90352	2	3/8-16 Locknut
ns	20183	1	Tab
ns	*	1	Gusset
* available as part of service kit only			

Connecting Pin Assembly Kit – 6920K			
Ref #	Part #	Qty	Description
-	6815	2	Connecting Pin with Handle
-	821	2	1" i.d. x 3-1/2" Spring
-	90601	2	1/4" x 1-1/2" Cotter Pin

**22135**  
**LD**

---

Copyright © 2002 Douglas Dynamics, L.L.C. All rights reserved. This material may not be reproduced or copied, in whole or in part, in any printed, mechanical, electronic, film or other distribution and storage media, without the written consent of Fisher Engineering. Authorization to photocopy items for internal or personal use by Fisher Engineering outlets is granted.

Fisher Engineering reserves the right under its product improvement policy to change construction or design details and furnish equipment when so altered without reference to illustrations or specifications used herein. Fisher Engineering and the vehicle manufacturer may require and/or recommend optional equipment for snow removal. Fisher Engineering offers a limited warranty for all snowplows and accessories. See separately printed page for this important information. The following are registered (®) trademarks of Douglas Dynamics, L.L.C.: EZ-V®, FISHER®

---

Printed in USA