



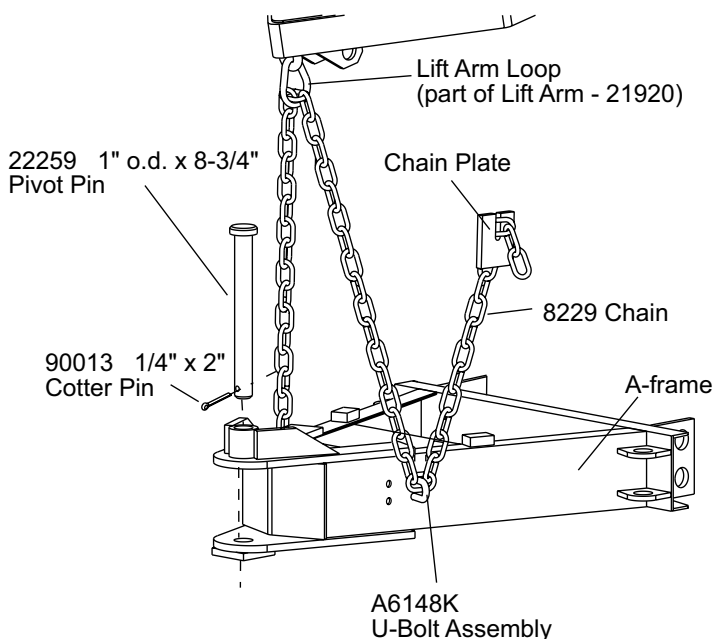
Fisher Engineering

P.O. Box 529 Rockland, Maine 04841

**22169
LD**

September 17, 1998
No. 22263

A-frame Kit for 6' 9" "LD" Blade Parts List and Diagram



A-frame Kit 6'9" "LD" – 22169			
Ref #	Part #	Qty	Description
	*	1	A-frame
-	8229	1	Chain 1/4" x 84"
ns	22183	1	Bolt Bag
* available as part of service kit only ns = not shown			

U-Bolt Assembly – A6148K			
Part #	Qty	Description	
90453	1	3/8-16 U-Bolt Gr. 5	
90361	2	3/8" Lock Washer	
90334	2	3/8-16 Nut	

Bolt Bag - 22183							
Ref #	Part #	Qty	Description	Ref #	Part #	Qty	Description
	*	2	3/8-16 U-bolt	-	90013	1	1/4" x 2" Cotter Pin
-	22259	1	1" o.d. x 8-3/4" Pivot Pin	-	90361	4	3/8" Lock Washer
ns	90307	2	1-8 x 5-1/2" Cap Screw Gr. 5	-	90334	4	3/8-16 Nut
ns	91340	2	1-8 Locknut				
* available as part of service kit only				ns = not shown			

Fisher Engineering reserves the right under its product improvement policy to change construction or design details and furnish equipment when so altered without reference to illustrations or specifications used herein. Fisher Engineering and the vehicle manufacturer may require and/or recommend optional equipment for snow removal. Fisher Engineering offers a limited warranty for all snowplows, spreaders and accessories. See separately printed page for this important information. The following are registered (®) and unregistered (™) trademarks of Douglas Dynamics, L.L.C.: FISHER®