

Fisher Engineering

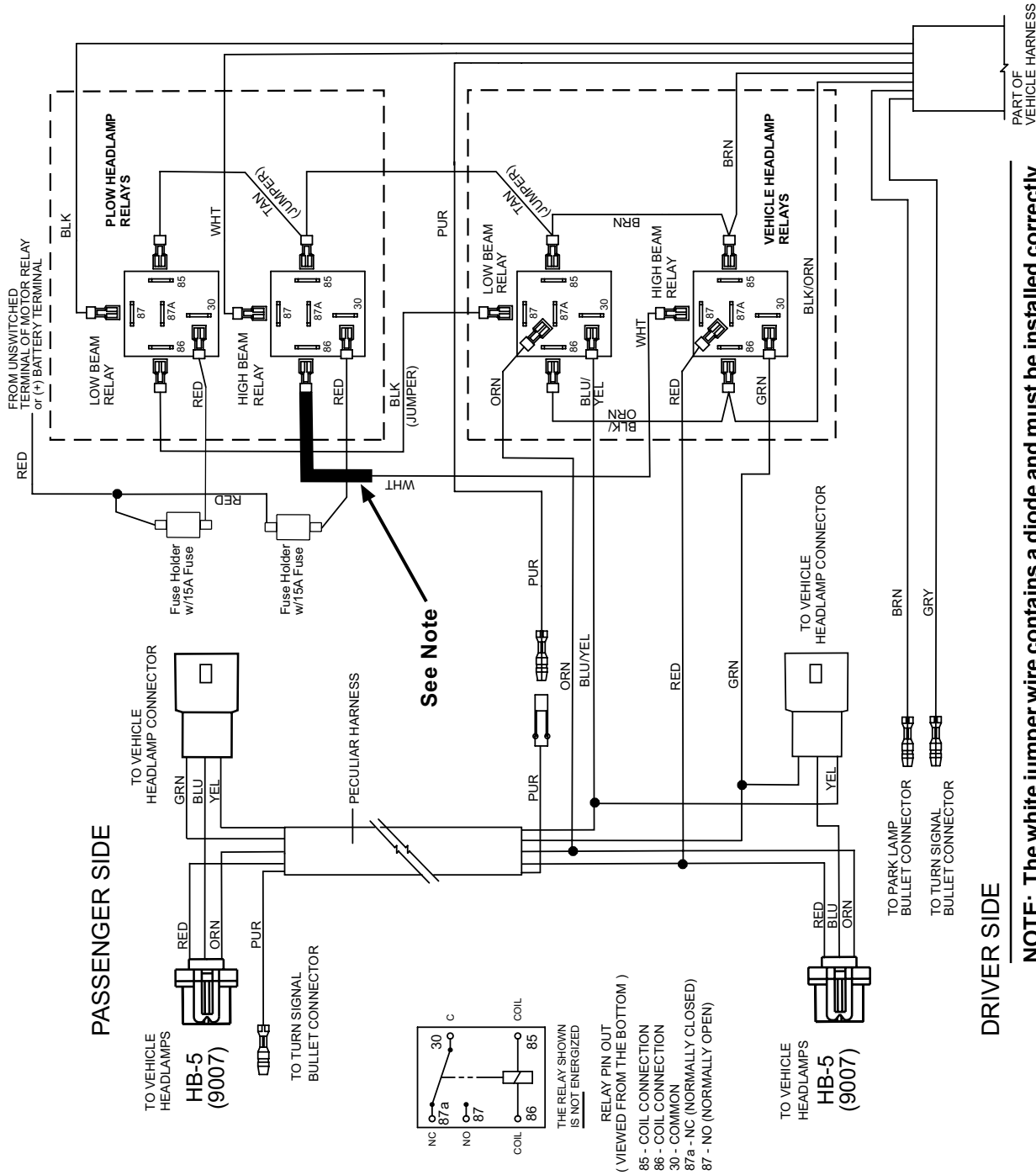
P.O. Box 529 Rockland, Maine 04841

**26028
Peculiar Harness**

September 26, 1998

No. 26030

Peculiar Harness 26028 -- 2 Light HB-5

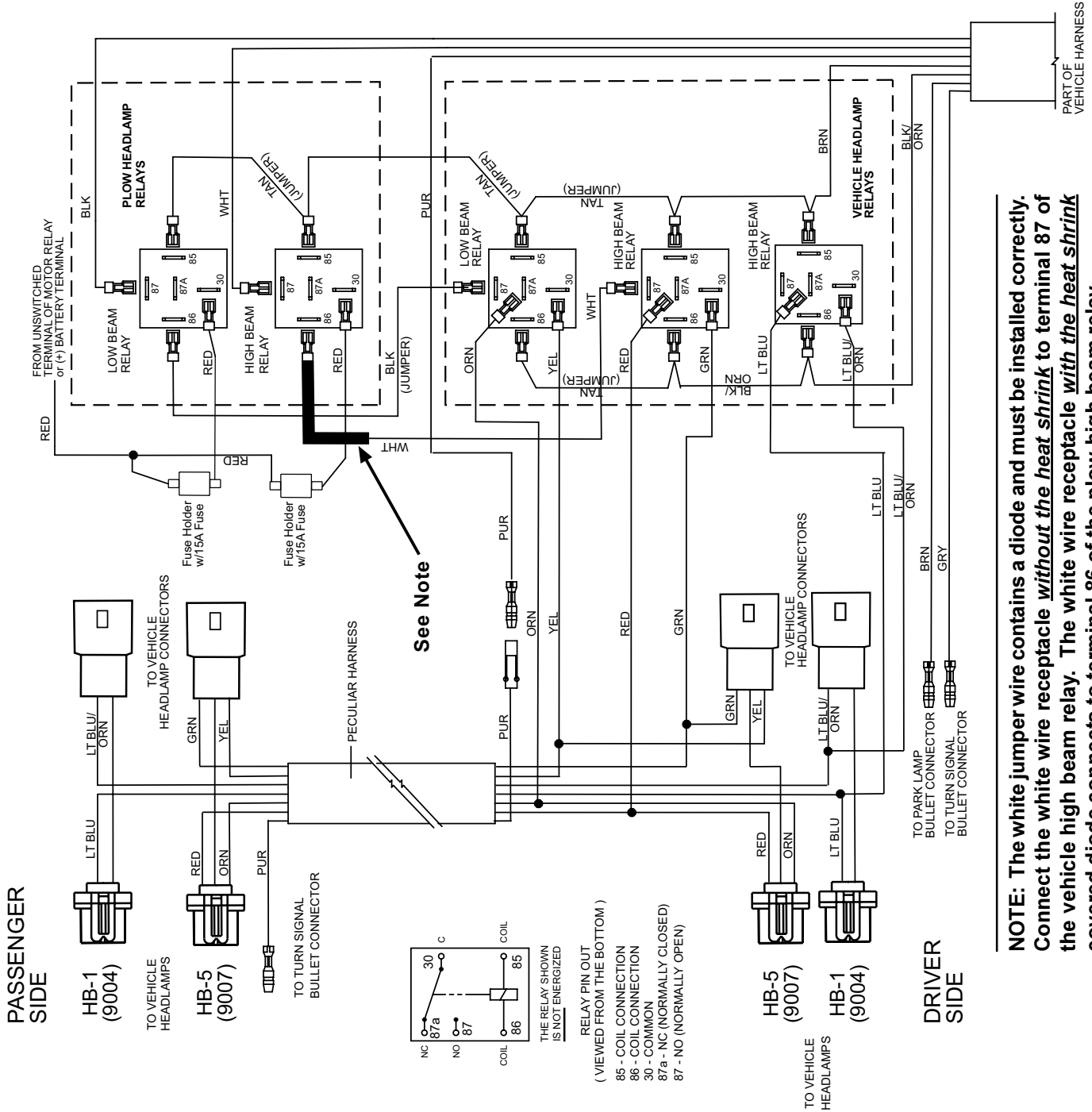


See Note

NOTE: The white jumper wire contains a diode and must be installed correctly. Connect the white wire receptacle *without the heat shrink* to terminal 87 of the vehicle high beam relay. The white wire receptacle *with the heat shrink* covered diode connects to terminal 86 of the plow high beam relay.

26026 Peculiar Harness

Peculiar Harness 26026 – 4 Light HB-5/HB-1



NOTE: The white jumper wire contains a diode and must be installed correctly. Connect the white wire receptacle *without the heat shrink* to terminal 87 of the vehicle high beam relay. The white wire receptacle *with the heat shrink* covered diode connects to terminal 86 of the plow high beam relay.

Fisher Engineering reserves the right under its product improvement policy to change construction or design details and furnish equipment when so altered without reference to illustrations or specifications used herein. Fisher Engineering and the vehicle manufacturer may require and/or recommend optional equipment for snow removal. Fisher Engineering offers a limited warranty for all snowplows and accessories. See separately printed page for this important information. The following are registered (®) and unregistered (™) trademarks of Douglas Dynamics, L.L.C.: FISHER®

Printed in USA