

**Fisher Engineering**

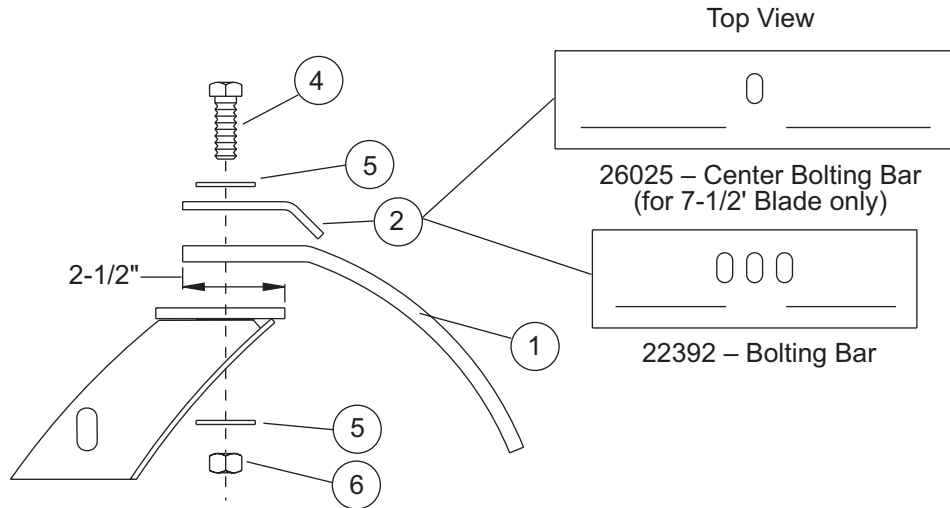
P.O. Box 529 Rockland, Maine 04841

**22470 - LD, RD, HD**

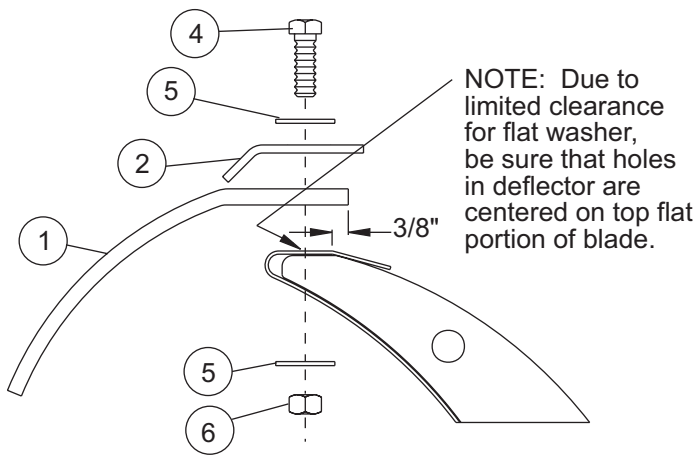
August 14, 1998  
No. 26031

# Rubber Deflector

## for 7-1/2' LD & RD, 8' & 9' HD Blades



7-1/2' RD, 8' & 9' HD Blades



7-1/2' LD Blade

22470 – Rubber Deflector for 7-1/2' LD & RD, 8' and 9' HD Blades			
Ref #	Part #	Qty	Description
1	22465	1	Rubber Deflector
2	22392	9	Bolting Bar
2	26025	1	Bolting Bar (for 7-1/2' Blade)
	26271	2	Blade Guide Bracket
	26035	1	Bolt Bag
Bolt Bag Parts List			
4	90210	11	1/2-13 x 1-1/2" Cap Screw
5	90319	22	1/2" Plain Washer
6	90355	11	1/2" Locknut

### ⚠ WARNING

Do not exceed GVWR or GAWR including blade and ballast. The rating label is found on the driver-side vehicle door cornerpost.

NOTE: See your FISHER® outlet for application recommendations. Rubber deflector application weight information may be found in the Kit Selection Guide.

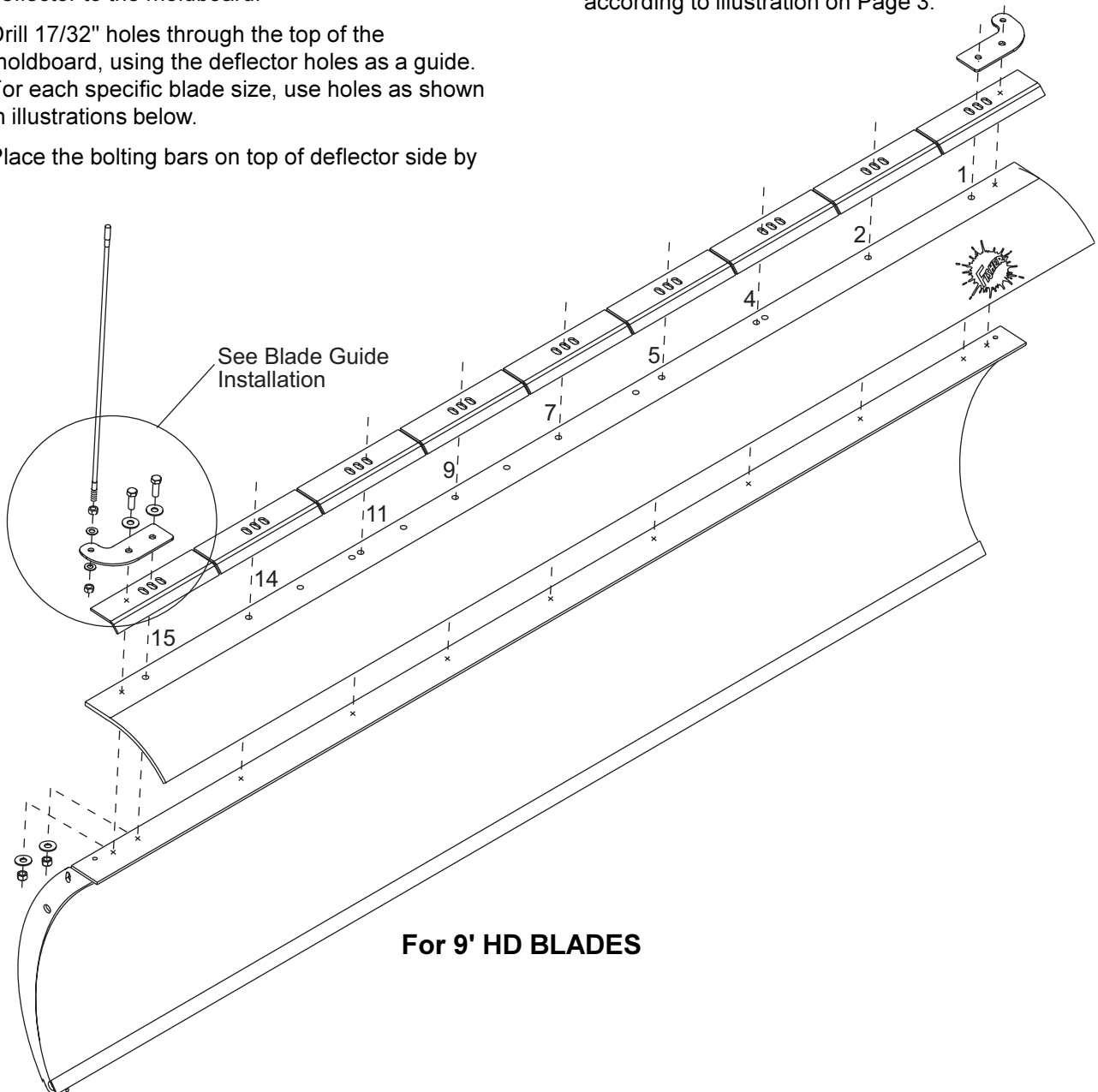
# 22470 - LD, RD, HD

## Installation Instructions

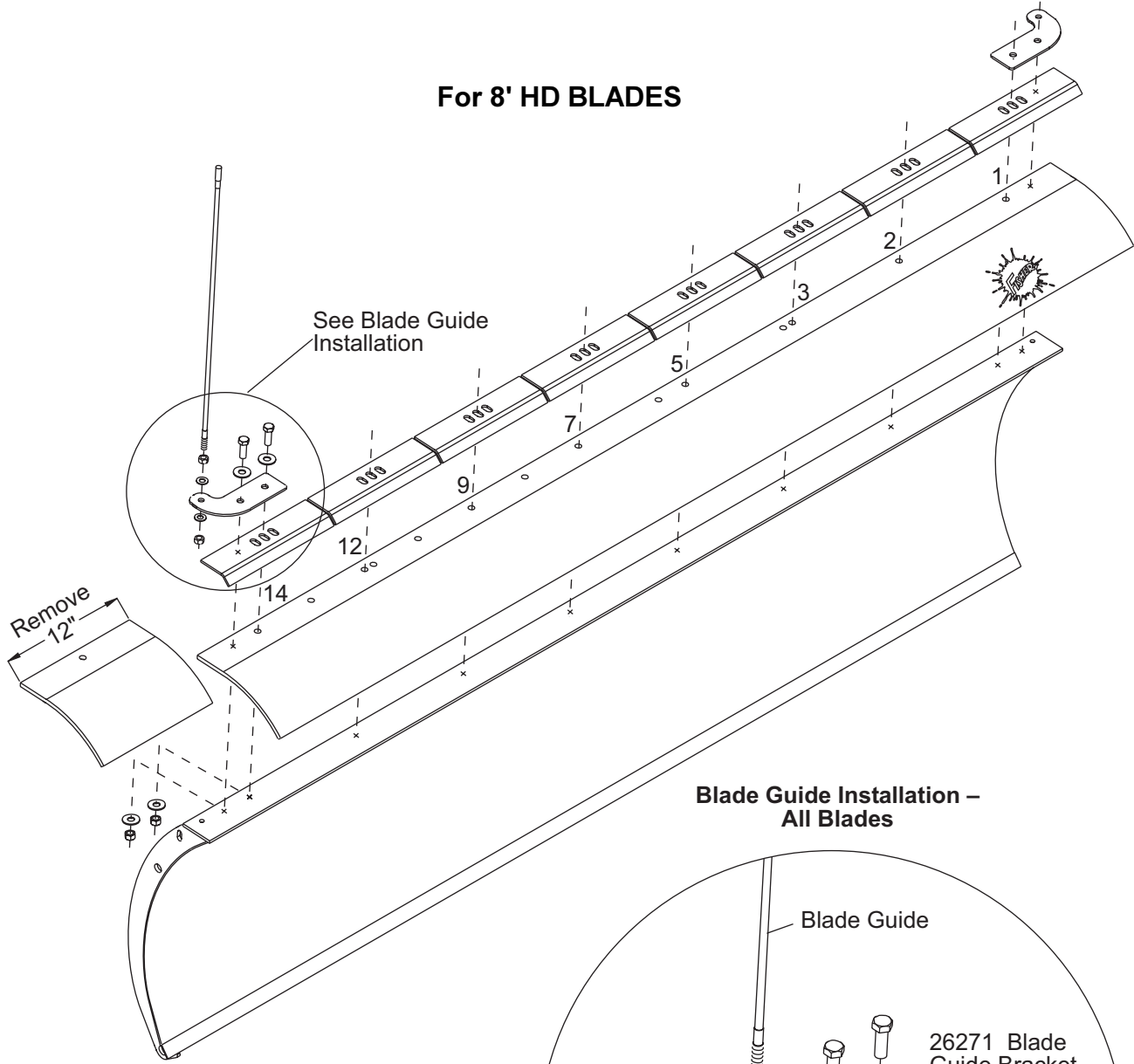
1. Trim deflector, if necessary, as in illustrations for 7-1/2' and 8' deflectors.
2. With the logo facing up and on the driver side, place the rubber deflector on the snowplow. Locate the deflector as shown in the side view illustration and with the deflector's edge parallel to moldboard or top edge of blade. Clamp the deflector to the moldboard.
3. Drill 17/32" holes through the top of the moldboard, using the deflector holes as a guide. For each specific blade size, use holes as shown in illustrations below.
4. Place the bolting bars on top of deflector side by

side with the bent edge pointing down. When installing bolting bars to ends of blade, attach blade guide brackets as shown in illustrations. Fasten the bolting bars and rubber deflector to the snowplow with 1/2" x 1-1/2" cap screws, two 1/2" washers, and 1/2" locknuts, making sure the bolting bars are tight against the deflector and the moldboard.

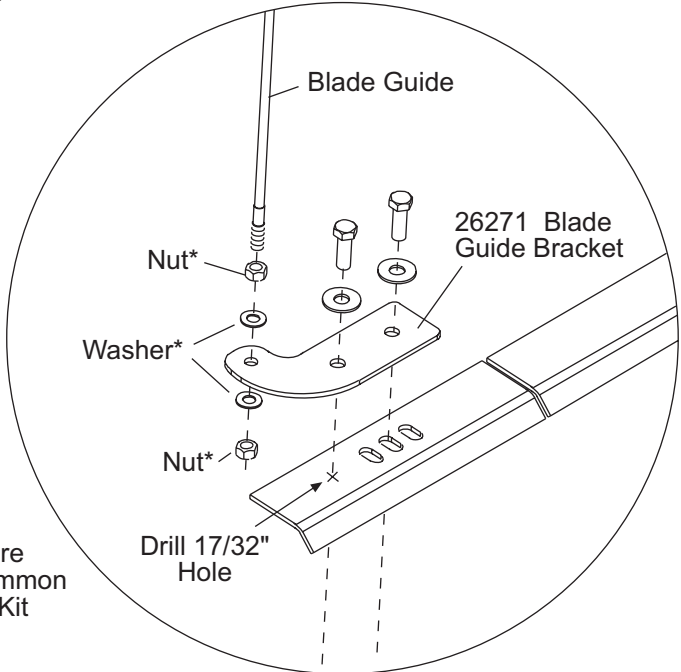
5. Install blade guides to blade guide brackets, according to illustration on Page 3.



For 8' HD BLADES

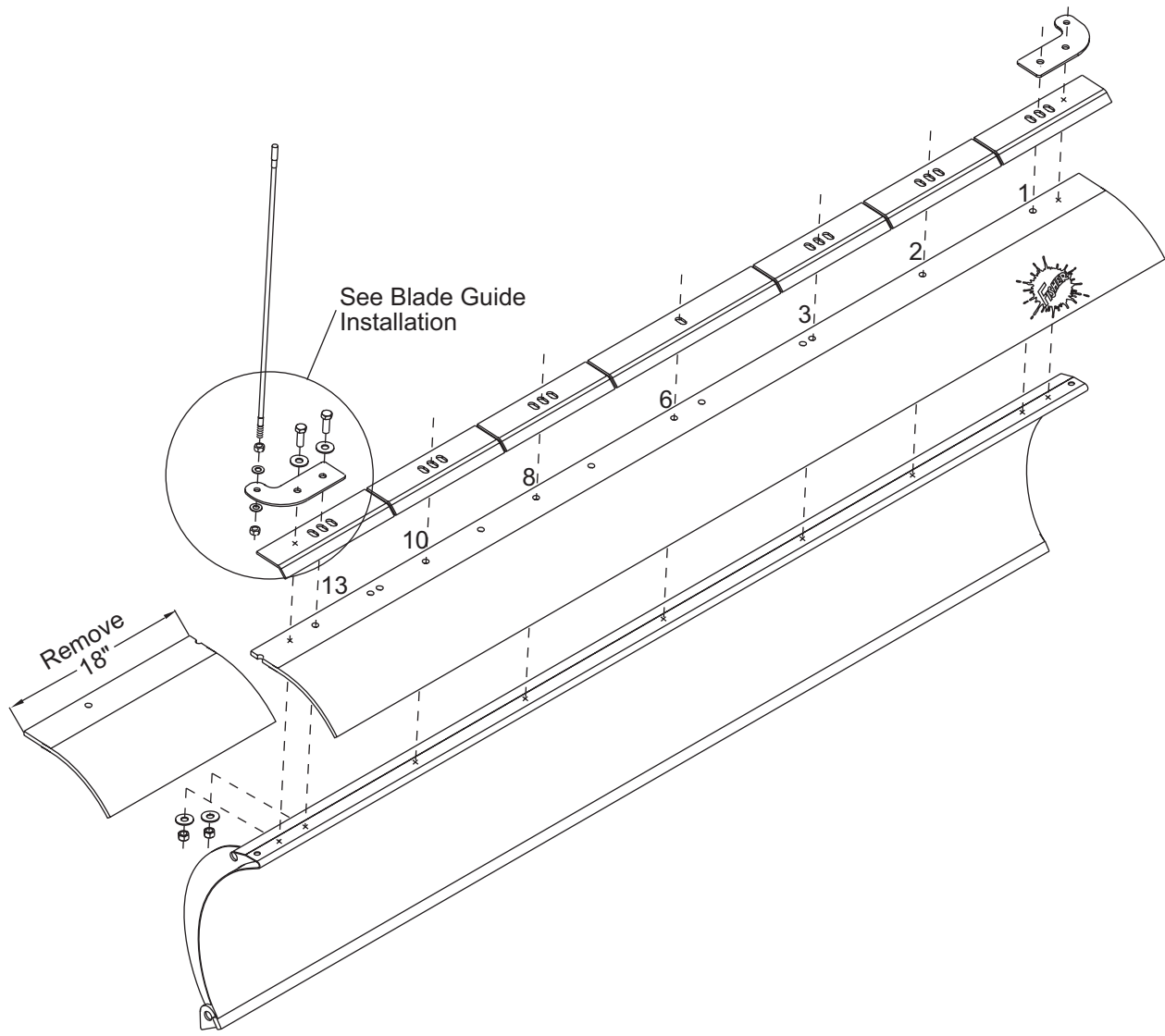


Blade Guide Installation - All Blades



\* Fasteners are found in Common Attachment Kit

For 7-1/2' LD and RD BLADES



Copyright © 1998 Douglas Dynamics, L.L.C. All rights reserved. This material may not be reproduced or copied, in whole or in part, in any printed, mechanical, electronic, film or other distribution and storage media, without the written consent of Fisher Engineering. Authorization to photocopy items for internal or personal use by Fisher Engineering outlets is granted.

Fisher Engineering reserves the right under its product improvement policy to change construction or design details and furnish equipment when so altered without reference to illustrations or specifications used herein. Fisher Engineering and the vehicle manufacturer may require and/or recommend optional equipment for snow removal. Fisher Engineering offers a limited warranty for all snowplows and accessories. See separately printed page for this important information. The following are registered (®) and unregistered (™) trademarks of Douglas Dynamics, L.L.C.: FISHER®

Printed in USA