



**Fisher Engineering**

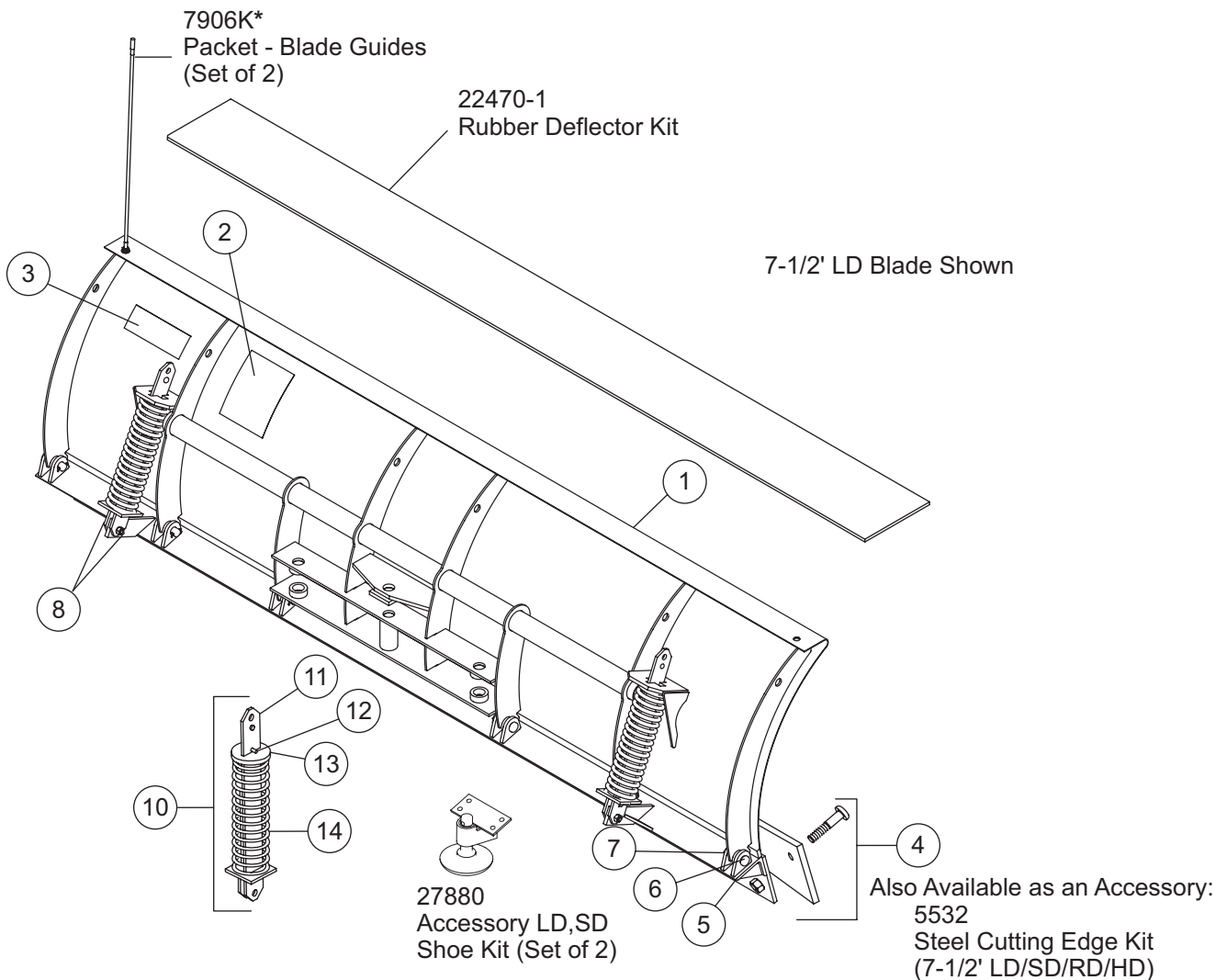
50 Gordon Drive, Rockland, Maine 04841-2139 • www.fisherplows.com

**27775**

**28069**

March 1, 2008  
Lit. No. 26183, Rev. 04

## LD Series Blade Components Parts List



\*Packed in 27750-1 Minute Mount<sup>®</sup> 2 Headgear Kit.

LD Series Blade Components					
Item	Part	Description	Item	Part	Description
1	20238	Decal – Splatter 13-1/4 x 14-1/2	7	90658	5/32 x 1-1/4 Cotter Pin
2	59900	Label – Information (Warning)	8	26656K	Packet – Shoulder Bolt & Locknut
3	26211	Label – Identity, STORM GUARD™	10	21452	Removable Spring Assembly
4	22215	Cutting Edge Kit – 6'-9" LD,SD Poly	11	21450	Removable Spring Bar
	22216	Cutting Edge Kit – 7-1/2' LD,SD Poly	12	20181	1/4 x 1-1/4 Pin
5	27824	Base Angle – 7-1/2' LD,SD	13	20191	Removable Spring Disc
	28003	Base Angle – 6'-9" LD,SD	14	5323	Trip Spring
6	5523K	3/4 x 2-3/16 Machine Pin w/Cotter			

Copyright © 2008 Douglas Dynamics, L.L.C. All rights reserved. This material may not be reproduced or copied, in whole or in part, in any printed, mechanical, electronic, film or other distribution and storage media, without the written consent of Fisher Engineering. Authorization to photocopy items for internal or personal use by Fisher Engineering outlets or snowplow owner is granted.

Fisher Engineering reserves the right under its product improvement policy to change construction or design details and furnish equipment when so altered without reference to illustrations or specifications used. Fisher Engineering or the vehicle manufacturer may require or recommend optional equipment for snow removal. Do not exceed vehicle ratings with a snowplow. Fisher Engineering offers a limited warranty for all snowplows and accessories. See separately printed page for this important information. The following are registered (®) and unregistered (™) trademarks of Douglas Dynamics, L.L.C.: FISHER®, Minute Mount® 2, STORM GUARD™.

Printed in U.S.A.