



# Insta-Act<sup>®</sup> Hydraulic Kit

## LD/SD/RD/HD/XBLADE<sup>™</sup>/MC Series Blades

### Parts List

<b>Parts Box Assemblies.....</b>	<b>2</b>
<b>Hydraulic Fitting Identification and Hose Routing.....</b>	<b>3</b>
<b>Bolt Bag Assemblies and Backup Ring/O-Ring Kit .....</b>	<b>4</b>
<b>Ram Components.....</b>	<b>5</b>
<b>Insta-Act Hydraulic Unit Assembly.....</b>	<b>6</b>
<b>Motor Manufacturer Identification and Service Parts.....</b>	<b>8</b>
<b>Harness Wiring Diagram – 4-Port, 3-Plug.....</b>	<b>9</b>
<b>Harness Wiring Diagram – 3-Port, 3-Plug.....</b>	<b>10</b>
<b>Hydraulic Fittings and Hoses Previously Used in 9835 &amp; 9835-1 Kits .....</b>	<b>11</b>
<b>Original Minute Mount<sup>®</sup> System Reference.....</b>	<b>12</b>

#### Insta-Act HYDRAULIC KIT

9825-1, 9835-1, 9840-2 Insta-Act Hydraulic Kits				
Part	Description	Qty		
		9825-1	9835-1	9840-2
22160-1	Hydraulic Unit 2500 psi	1	1	
22155-1	Hydraulic Unit 4000 psi			1
56718	1-1/2 x 6 Ram Assembly	1		
56740	2 x 10 Ram Assembly		1	
A5166K	2 x 16 Ram Assembly		2	
56603K	1-1/2 x 12 Ram Assembly			2
56600K	1-1/2 x 10 Ram Assembly	2		1
56703	Parts Box Assy 9825-1	1		
27743	Parts Box Assy 9835-1		1	
56700	Parts Box Assy 9840-2			1
21294	Plow Battery Cable	1	1	1
63411	Vehicle Battery Cable	1	1	1
26359	Plow Control Harness	1	1	1
26345	Vehicle Control Harness	1	1	1
8291K	Plug Cover	1	1	1

**9825-1, 9835-1, 9840-2**

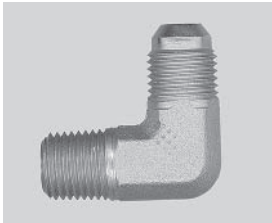


Parts Box Assemblies					
Item	Part	Description	Qty		
			56703 (in 9825-1 kit)	27743 (in 9835-1 kit)	56700 (in 9840-2 kit)
1	22511	Battery Cable, 22" Red	1	1	1
2	5794K-1	Motor Relay	1	1	1
ns	8284K	Cable Boot	1	1	1
ns	21727-2	Breather, Pressure Control	1	1	1
4	56830	Hose, 1/4 x 22 w/F JIC Ends (Lift Ram Hose)	1	1*	1
5	56591	Hose, 1/4 x 42 w/F JIC Ends (Driver-Side Angle Ram Hose)	1	1*	1
6	56599	Hose, 1/4 x 36 w/F JIC Ends (Passenger-Side Angle Ram Hose)		1*	1
	56710	Hose, 1/4 x 32 w/F JIC Ends (Passenger-Side Angle Ram Hose)	1		
ns	56704	Bolt Bag for 9825-1	1		
ns	27744	Bolt Bag for 9835-1		1	
ns	56699	Bolt Bag for 9840-2			1

ns = not shown

\* For manifold with valve block stamped G13 and higher. For identification of fittings and hoses with a block stamped A13 and lower, see page 10.

**HYDRAULIC FITTING IDENTIFICATION**



95604  
1/4" NPTF to JIC  
90° Elbow



56725  
9/16" O-Ring to JIC  
90° Elbow



56726  
9/16" O-Ring to JIC  
45° Elbow



56723\*  
9/16" O-Ring to 1/4"  
NPTF/NPSM 90° Elbow

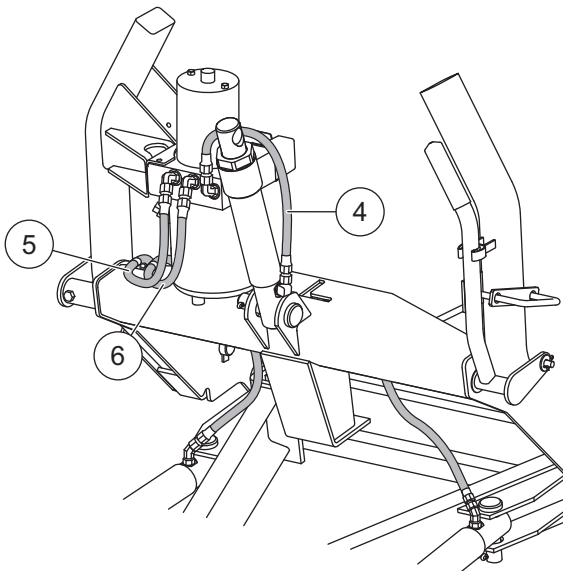


56724\*  
9/16" O-Ring to 1/4"  
NPTF/NPSM 45° Elbow

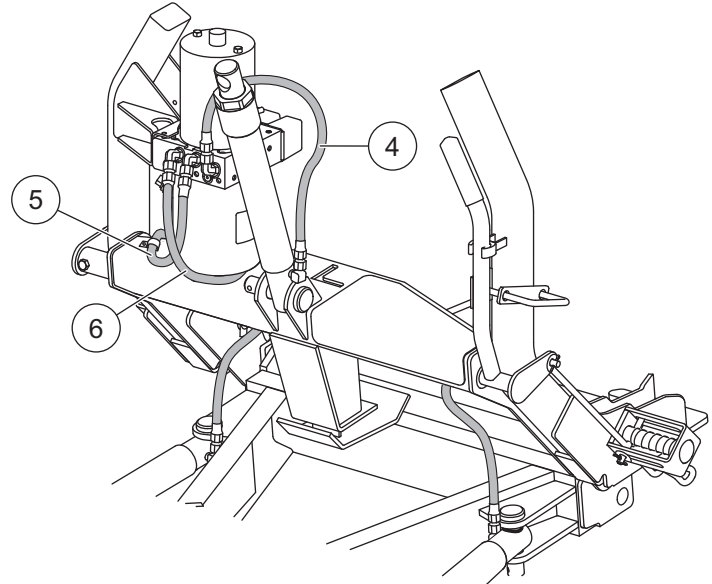
\* Adapts SAE O-ring style manifold to NPTF hoses.

**HOSE ROUTING FOR Minute Mount® 2 SYSTEM**

**LD/SD**



**RD/HD/MC**

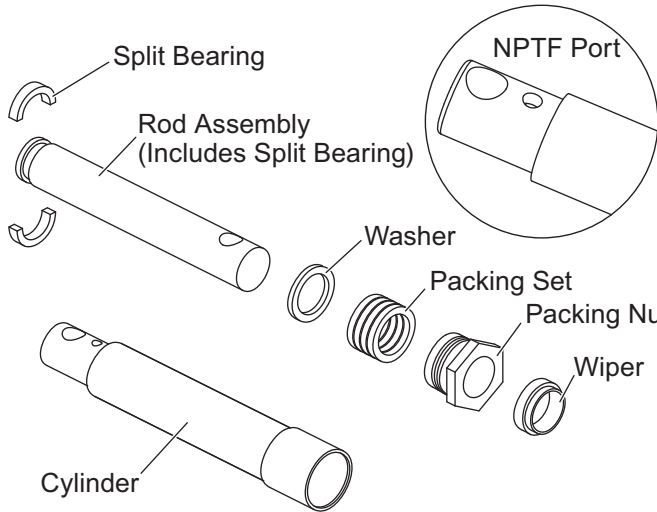


<b>Bolt Bag Assemblies</b>				
Part	Description	Qty		
		56704 (in 9825-1 kit)	27744 (in 9835-1 kit)	56699 (in 9840-2 kit)
8737	Bolt Bag Assembly	1	1	1
95604	Elbow, 90° –6 M JIC/1/4 M NPTF		2*	
56725	Elbow, 90° –6 M JIC/–6 M ORB	4	4*	4
56726	Elbow, 45° –6 M JIC/–6 M ORB	2		2
59223	3/16 x 7-1/2 Cable Tie – Black	6	6	6
61536	3/16 x 14 Cable Tie – Black	8	8	8
8329K	Dielectric Grease Tube	1	1	1
90601	1/4 x 1-1/2 Cotter Pin	6		6
90013	1/4 x 2 Cotter Pin		6	
90311	1/4 Flat Washer	4	4	4
6814	1 x 3-5/16 Clevis Pin	1	1	1
95720	1 x 3-5/16 Clevis Pin	1	1	1
6816	1 x 4 Anchor Pin	2		2
22260	1 x 4-3/4 Clevis Pin	2		2
20790	Commercial Ram Pin		4	
90010	1/4-20 x 2-3/4 Hex Cap Screw G5	2	2	2
91331	1/4-20 Hex Locknut GB	2	2	2
21726	Elbow, Street 90° 3/8 M NPTF/3/8 F NPTF	1	1	1
G = Grade				
* For manifold with valve block stamped G13 and higher. For identification of fittings and hoses with a block stamped A13 and lower, see page 10.				

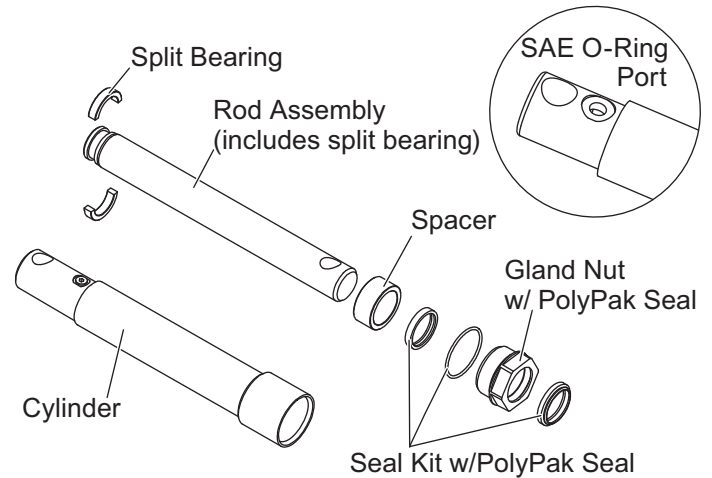
<b>8737 Small Bolt Bag Assembly</b>					
Part	Qty	Description	Part	Qty	Description
5048	1	1/4 Fully Insulated Blade	91055	1	M6-1.00 x 25 Hex Cap Screw G8.8
21306	1	.187 Insulated Receptacle	91056	1	M6-1.00 Hex Nut G10
21307	1	.250 Insulated Receptacle	91057	1	M6 Flat Washer
21308	1	Fuse Tap – .250 Tab	90311	2	1/4 Flat Washer
21309	1	Fuse Tap – .187 Tab	91202	2	5/16 Spring Lock Washer
66130	1	Rubber Grommet	91242	2	#10 Spring Lock Washer
91331	2	1/4-20 Hex Locknut GB	91402	2	10-32 Hex Machine Screw Nut
90461	2	1/4-20 x 3/4 Hex Cap Screw G5	92842	2	5/16-24 Hex Jam Nut G5
<b>7632K-2 Backup Ring/O-Ring Kit</b>					
56416	1	O-Ring – 014	55371	5	O-Ring – 008, 90 Durometer
56274	1	O-Ring – 013	25622	2	O-Ring – 006
25730	2	O-Ring – 012	66628	1	Backup Ring – 008
66627	1	O-Ring – 011	56315	2	Backup Ring – 006
25731	4	O-Ring – 010	66519	1	O-Ring 2-250
G = Grade			M = Metric		

**RAM COMPONENTS**

**Ram Equipped w/  
NPTF Port/Packing Nut**

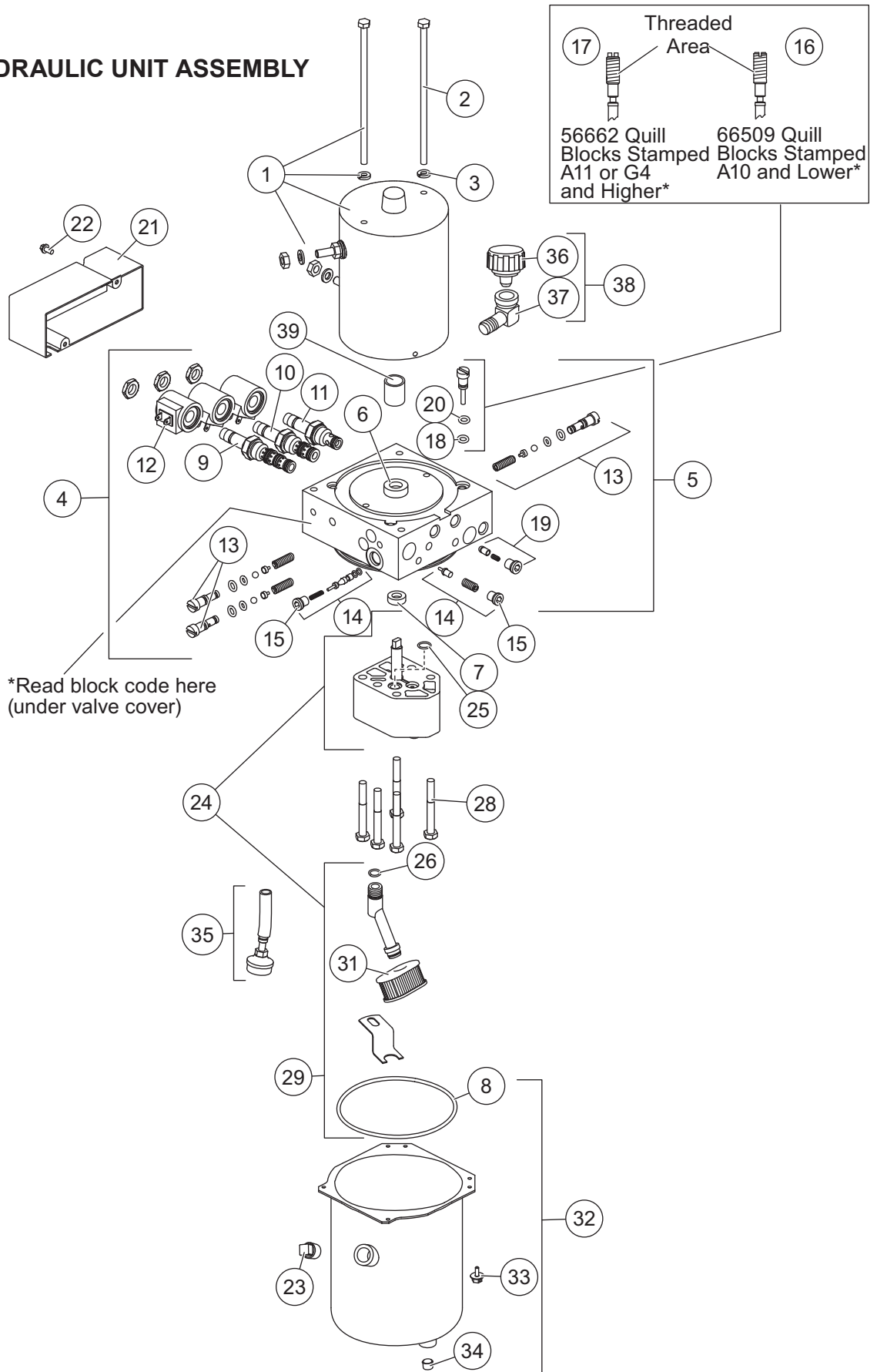


**Ram Equipped w/  
O-Ring Port/Gland Nut**



Ram Kit Parts Lists									
Part	Rams w/NPTF Port					Rams w/SAE O-Ring Port			
	20116K	20117K	A5096	A5166K	A3463	56600K	56718	56603K	56740
Description	1-1/2 x 10 Ram Assembly	1-1/2 x 12 Ram Assembly	1-1/2 x 6 Ram Assembly	2 x 16 Ram Assembly	2 x 10 Ram Assembly	1-1/2 x 10 Ram Assembly	1-1/2 x 6 Ram Assembly	1-1/2 x 12 Ram Assembly	2 x 10 Ram Assembly
Cylinder	N/A	N/A	N/A	6996	N/A	56602	56702	56605	56676
Split Bearing	20118K	20118K	20118K	48413	48413	20118K	20118K	20118K	64151
Rod Assembly	26981	56715	56717	6995	3626	26981	56717	56715	64152
Washer	338	338	338	91174	91174				
Packing Set	339K	339K	339K	3623	3623				
Packing Nut	25944	25944	25944	25948	25948				
Wiper	341K	341K	341K	55210	55210				
Spacer						56537	56537	56537	56733
Gland Nut						48985	48985	48985	56734
PolyPak Seal Kit						56556	56556	56556	64153

Insta-Act® HYDRAULIC UNIT ASSEMBLY



22160-1 & 22155-1 Insta-Act® Hydraulic Unit Parts List					
Item	Part	Description	Qty		
			22160-1 (in 9825-1 kit)	22160-1 (in 9835-1 kit)	22155-1 (in 9840-2 kit)
1	21500K-1	Motor Assembly	1	1	1
2	-	Cap Screw – See Page 8	2	2	2
3	-	Lock Washer – See Page 8	2	2	2
4	22147-1	Valve Manifold Assembly	1	1	1
5	22150-1	Valve Manifold	1	1	1
6	-	Fiber Thrust Washer – See Page 8	1	1	1
7	66515	Pump Shaft Seal	1	1	1
8	66519	O-Ring 2-250	1	1	1
9	7637K	Cartridge 40 – with Jam Nut	1	1	1
10	66608K	Cartridge 31 – with Jam Nut	1	1	1
11	7634K-1	Cartridge 20 – with Jam Nut	1	1	1
12	7639K-1	Coil with Spade Terminals	3	3	3
13	7629K-2	Cushion Valve Repair Kit – Set	3	3	3
14	7630K	Poppet Check Valve Kit	1	1	1
15	92960	Plug, Hex Socket –3 M ORB	2	2	2
16	66509	Quill Assy (Full Thread Rev 10 and lower blocks)	1	1	1
17	56662	Quill Assy (Partial Thread Rev 11 or G4 and higher blocks)	1	1	1
18	25622	O-Ring – 006	1	1	1
19	56507	Bypass Check Valve Kit	1	1	1
20	56315	Back-Up Ring – 006 Parbak Split	1	1	1
21	21394	Cover Assembly	1	1	1
22	90650	Cover Screw	2	2	2
23	92079	Plug, Square 3/8 NPTF	1	1	1
24	21501K	Hydraulic Pump Kit	1	1	1
25	56274	O-Ring – 013	1	1	1
26	56416	O-Ring – 014	1	1	1
28	90073	5/16-18 x 2-1/4 Hex Cap Screw G5	5	5	5
29	66763	Inlet Fitting/Filter Kit	1	1	1
31	26781-2	Suction Filter	1	1	1
32	21830	Reservoir Kit	1	1	1
33	66607	10-24 x 5/16 Machine Screw	4	4	4
34	92095	Plug, Hex Socket 1/4 NPTF w/Thread Sealant	1	1	1
35	66405	Return Screen Assembly	1	1	1
36	21727-2	Breather, Pressure Control	1	1	1
37	21726	Elbow, Street 90° 3/8 M NPTF/3/8 F NPTF	1	1	1
38	22344K	90° Street Elbow w/Breather	1	1	1
39	64596	Bearing Sleeve Replacement Kit	1	1	1
ns	7632K-2	Backup/O-Ring Kit	1	1	1
ns	-	Brush Kit – See Page 8	1	1	1
ns	7635	Seal Kit – Cartridge 20	1	1	1
ns	7638	Seal Kit – Cartridge 30, 31, 33, 40 & 43	1	1	1
ns	73897	Magnet	1	1	1
ns = not shown			G = Grade		

**MOTOR MANUFACTURER IDENTIFICATION AND SERVICE PARTS**

Photos show terminal positions and end caps for brand identification.

Use *only* for A5819



Bosch 2 Terminal		
Part	Qty	Description
56665	1	Brush Kit
22342K	1	Motor Cap Screws
91201	2	1/4 Spring Lock Washer
21535	1	5/8 Fiber Thrust Washer (drive end)

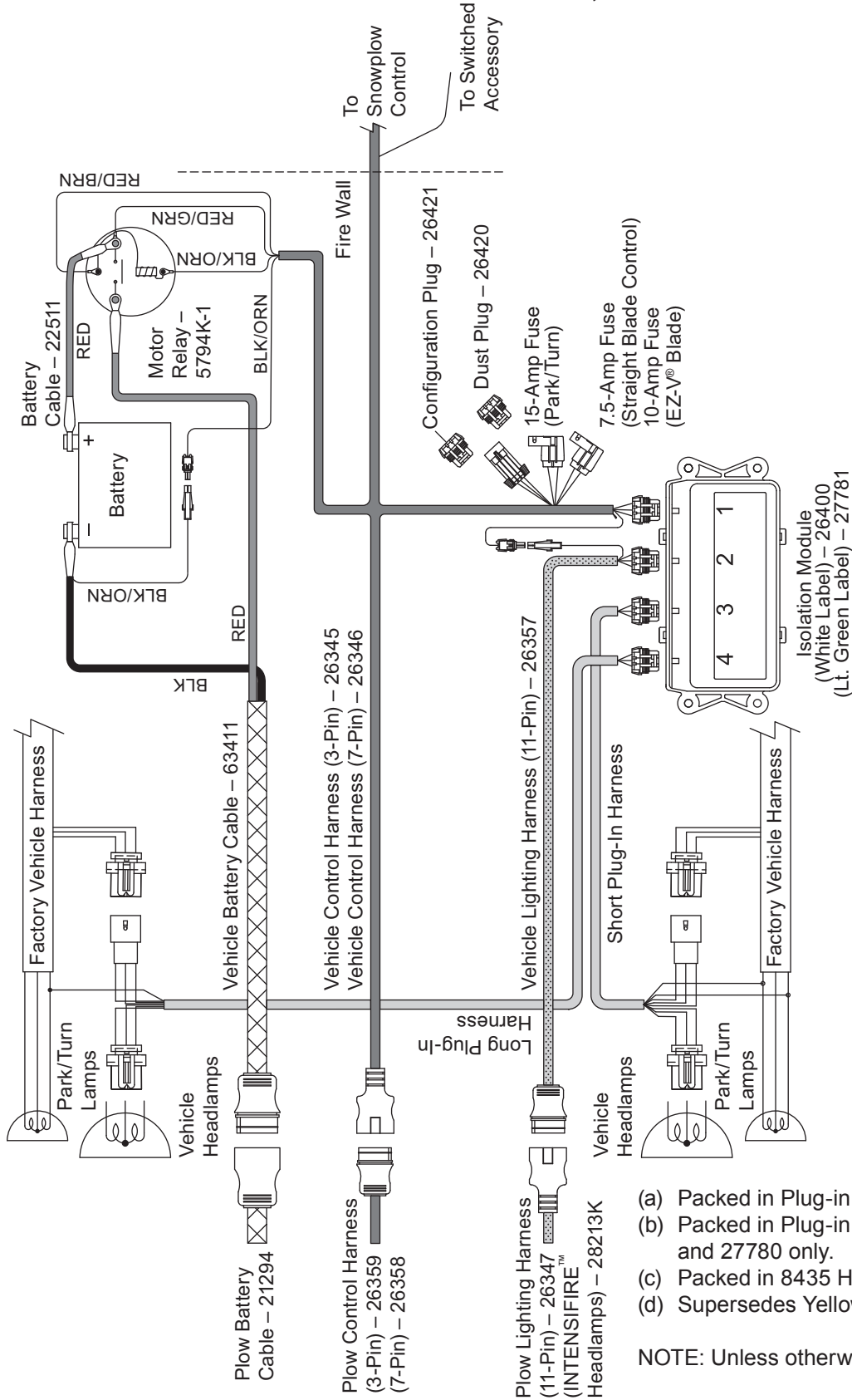
Prestolite 2 Terminal		
Part	Qty	Description
56666	1	End Cap w/O-Ring
27044K	1	Thru-Bolt Kit (Includes cap screws and special washers.)
56668	1	Thrust Washer Kit (Includes retaining ring for early production.)

Use for A5819 or 21500K-1





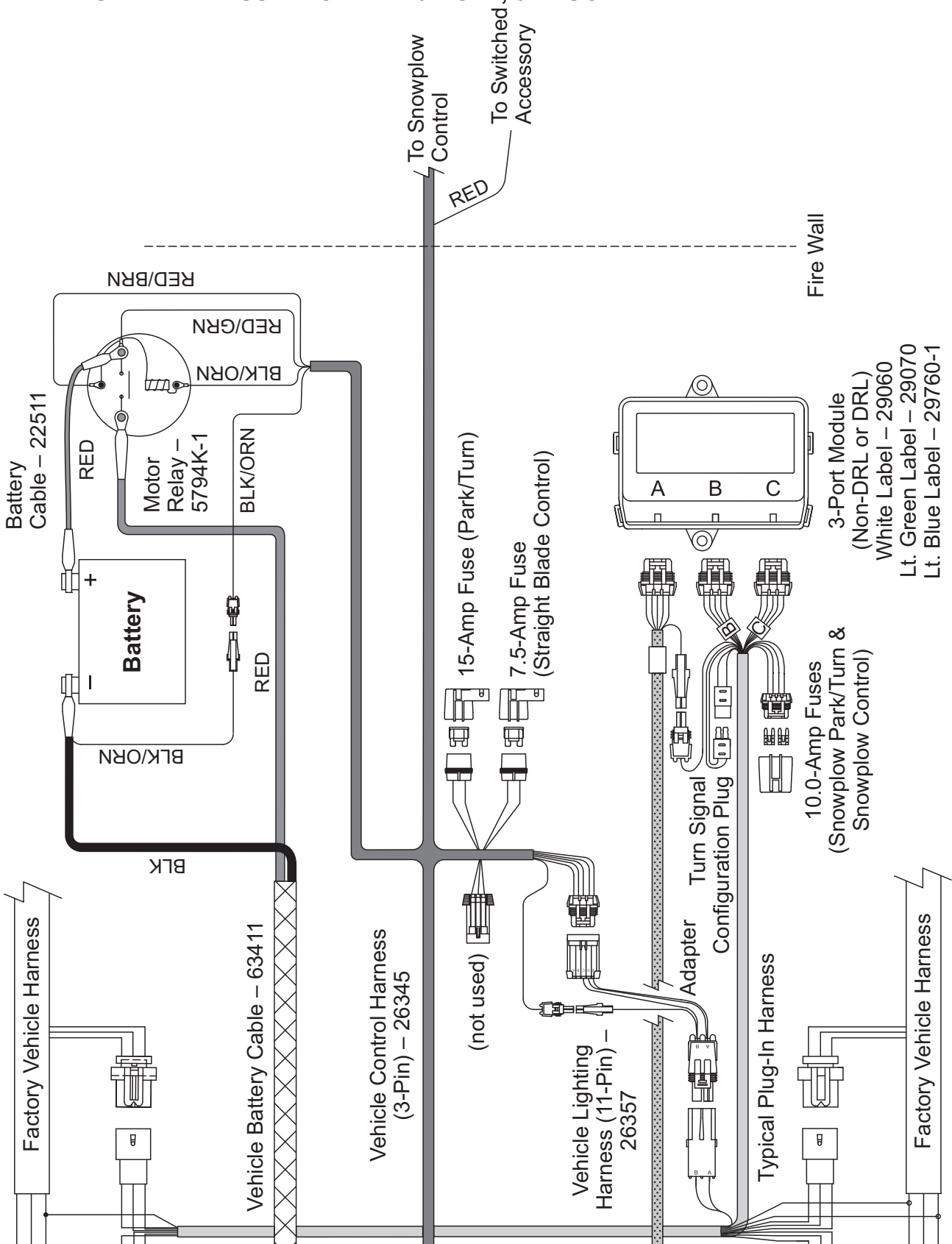
**VEHICLE-SIDE HARNESS DIAGRAM – 4-PORT, 3-PLUG**



- (a) Packed in Plug-in Harness Kits.
- (b) Packed in Plug-in Harness Kit #8437 and 27780 only.
- (c) Packed in 8435 Headlamp Kit.
- (d) Supersedes Yellow Label.

NOTE: Unless otherwise noted, packed in Hydraulic Kit.

VEHICLE-SIDE HARNESS DIAGRAM – 3-PORT, 3-PLUG



**HYDRAULIC FITTINGS AND HOSES PREVIOUSLY USED IN 9835 & 9835-1 KITS**



2780K  
1/4 NPTF x 90°  
Street Elbow



319K  
90° AD Union (male)  
1/4 NPTF/NPSM



8127K  
45° AD Union (male)  
1/4 NPTF/NPSM



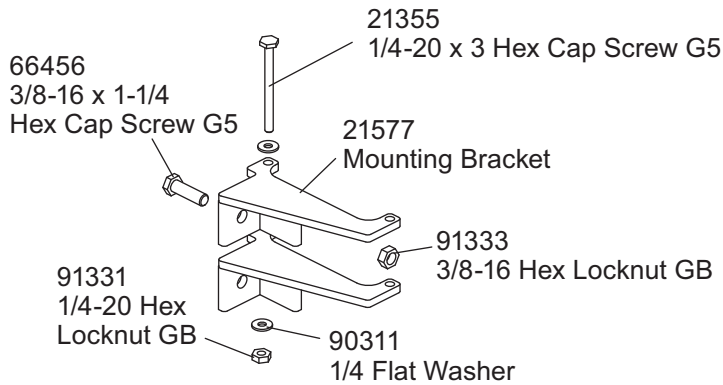
20316K \*  
9/16" O-Ring to  
1/4" NPTF 90° Elbow

\* Adapts SAE O-ring style manifold to NPTF hoses.

Hoses Previously Used In 9835 & 9835-1 Kits		
Part	Qty	Description
375	1	Hose, 1/4 x 42 w/NPTF Ends Driver-Side Angle Hose
4424	1	Hose, 1/4 x 36 w/NPTF Ends Passenger-Side Angle Hose
3074	1	Hose, 1/4 x 22 w/NPTF Ends Lift Hose

**ORIGINAL Minute Mount® SYSTEM REFERENCE**

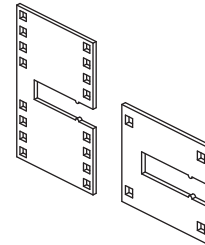
**Parts Used Only for Original Minute Mount System (no longer packed with kits)**



66777 Mounting Bracket Service Kit

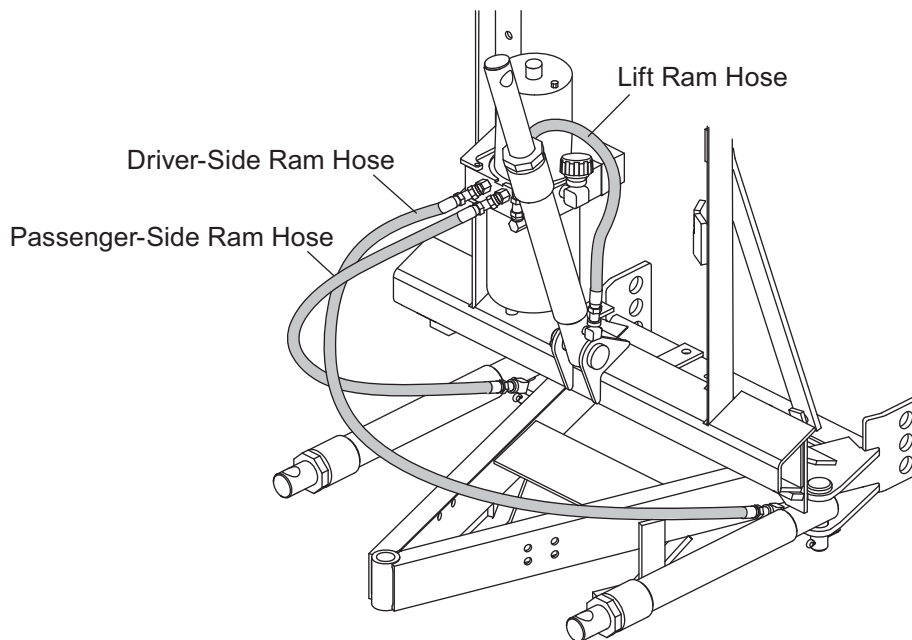


8741 Cable Boot Bracket  
(fasteners included with headgear)



56526 Panel Mount Set (Long & Short)

**Hose Routing for Original Minute Mount System**



Copyright © 2013 Douglas Dynamics, LLC. All rights reserved. This material may not be reproduced or copied, in whole or in part, in any printed, mechanical, electronic, film or other distribution and storage media, without the written consent of Fisher Engineering. Authorization to photocopy items for internal or personal use by Fisher Engineering outlets or snowplow owner is granted.

Fisher Engineering reserves the right under its product improvement policy to change construction or design details and furnish equipment when so altered without reference to illustrations or specifications used. Fisher Engineering or the vehicle manufacturer may require or recommend optional equipment for snow removal. Do not exceed vehicle ratings with a snowplow. Fisher Engineering offers a limited warranty for all snowplows and accessories. See separately printed page for this important information. The following are registered (®) or unregistered (™) trademarks of Douglas Dynamics, LLC: EZ-V®, FISHER®, Insta-Act®, INTENSIFIRE™, Minute Mount®, Minute Mount® 2, XBLADE™.

Printed in U.S.A.