



Fisher Engineering

P.O. Box 529 Rockland, Maine 04841

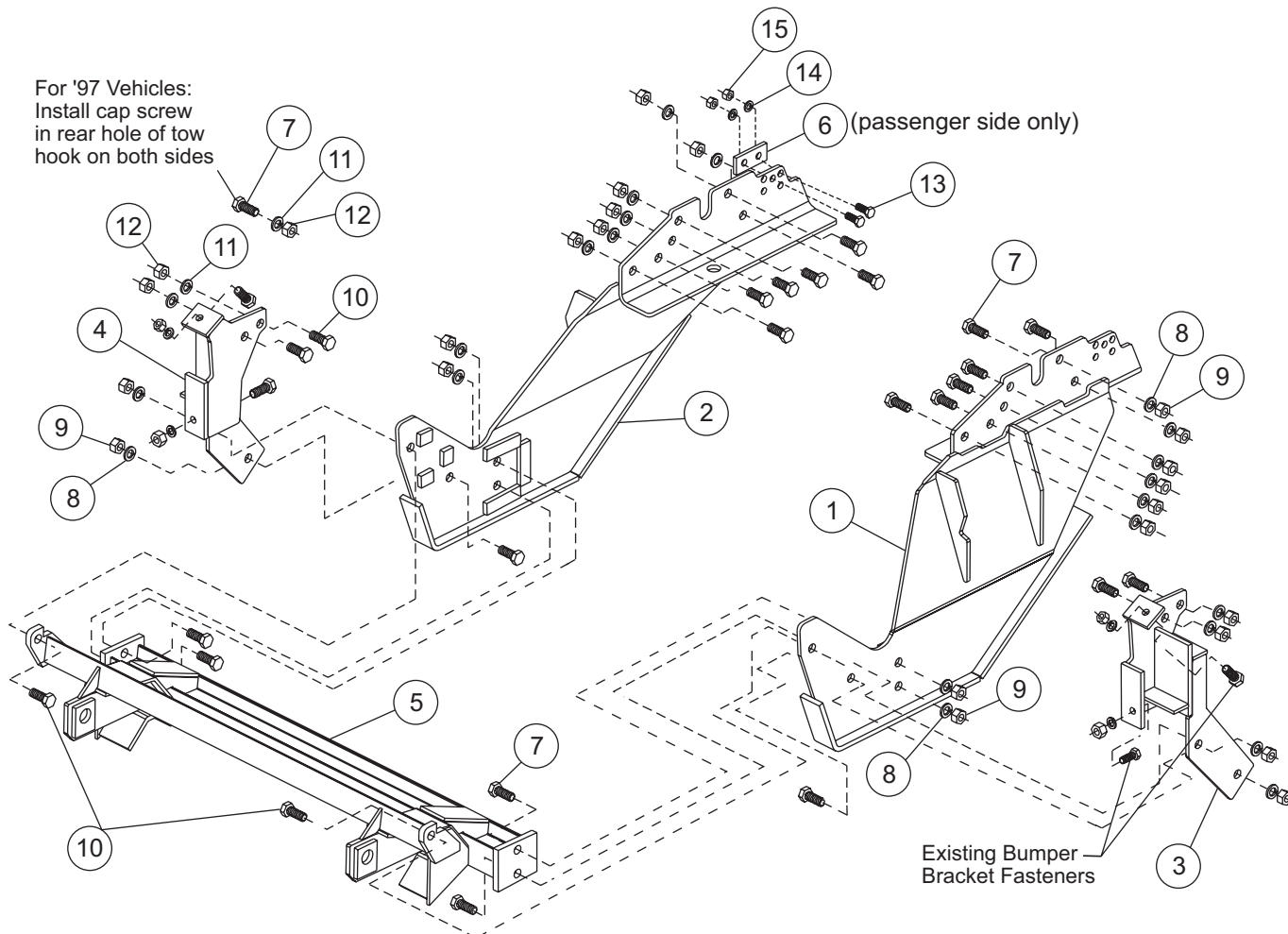
March 16, 2006
Lit. No. 26205, Rev. 02

Minute² SYSTEM

MOUNT KIT

Ford F-700/800

1995 - 99



7152-1

7152-1 Mount Kit							
Item	Part	Qty	Description	Item	Part	Qty	Description
1	21621	1	Pushplate – DS	5	21338	1	Commercial Connecting Beam
2	21622	1	Pushplate – PS	6	21679	1	Spacer
3	21629	1	Bumper Bracket – DS	ns	21635	1	Bolt Bag – 7152
4	21630	1	Bumper Bracket – PS				
21635 Bolt Bag – 7152							
7	90127	18	5/8-11 x 1-1/2 Hex Cap Screw G5	12	91337	6	5/8-11 Hex Lock Nut GB
8	90366	18	5/8 Spring Lock Washer	13	90043	4	3/8-16 x 2 Hex Cap Screw G5
9	91416	18	5/8-11 Hex Nut G5	14	91203	4	3/8 Spring Lock Washer
10	90129	6	5/8-11 x 2 Hex Cap Screw G5	15	91413	4	3/8-16 Hex Nut G5
11	90576	6	5/8 Hardened Flat Washer				
ns = not shown				G = grade			

Copyright © 2006 Douglas Dynamics, L.L.C. All rights reserved. This material may not be reproduced or copied, in whole or in part, in any printed, mechanical, electronic, film or other distribution and storage media, without the written consent of Fisher Engineering. Authorization to photocopy items for internal or personal use by Fisher Engineering outlets or snowplow owner is granted.

Fisher Engineering reserves the right under its product improvement policy to change construction or design details and furnish equipment when so altered without reference to illustrations or specifications used. Fisher Engineering or the vehicle manufacturer may require or recommend optional equipment for snow removal. Do not exceed vehicle ratings with a snowplow. Fisher Engineering offers a limited warranty for all snowplows and accessories. See separately printed page for this important information. The following are registered (®) trademarks of Douglas Dynamics, L.L.C.: FISHER®, Minute Mount® 2.

Printed in U.S.A.