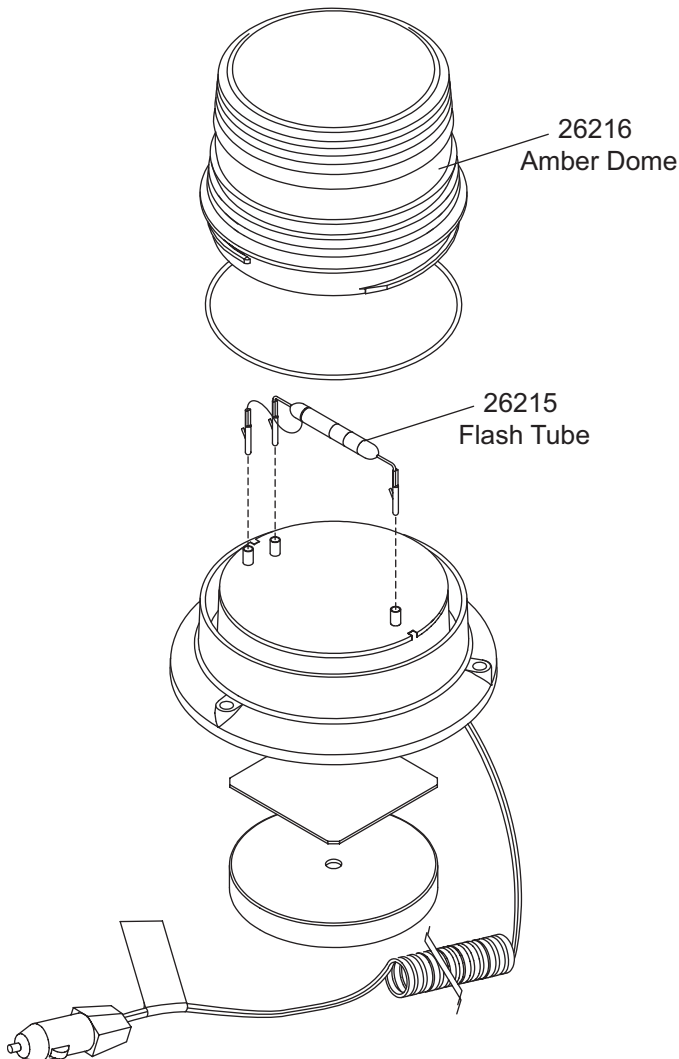




## Mini Strobe Light



### ⚠ WARNING

The use of any magnetic mounted warning light on a vehicle while it is in motion is at the user's risk.

### ⚠ WARNING

Do not install this product or route wire in deployment path of an air bag. Refer to vehicle manufacturer's manual for air bag deployment area(s).

### BULB REPLACEMENT AND CARE

### ⚠ WARNING

Hazardous voltage. Turn off power. Wait 10 minutes before servicing.

The 8 joule strobe light may be replaced by unscrewing the dome lens to access the tube.

Use only soap and water to clean the outer lens. Use of other chemicals could result in premature lens crazing and discoloration. Lenses in this condition have significantly reduced effectiveness and should be replaced immediately. Inspect and operate this product regularly to confirm its proper operation and mounting condition. Do not use a pressure washer to clean this product.

Copyright© 2003 Douglas Dynamics, L.L.C. All rights reserved. This material may not be reproduced or copied, in whole or in part, in any printed, mechanical, electronic, film or other distribution and storage media, without the written consent of Fisher Engineering. Authorization to photocopy items for internal or personal use by Fisher Engineering outlets or snowplow owner is granted.

Fisher Engineering reserves the right under its product improvement policy to change construction or design details and furnish equipment when so altered without reference to illustrations or specifications used. Fisher Engineering and the vehicle manufacturer may require and/or recommend optional equipment for snow removal. Do not exceed vehicle ratings with a snowplow. Fisher Engineering offers a limited warranty for all snowplows and accessories. See separately printed page for this important information. The following are registered (®) and unregistered (™) trademarks of Douglas Dynamics, L.L.C.: FISHER®

Printed in USA