



Fisher Engineering

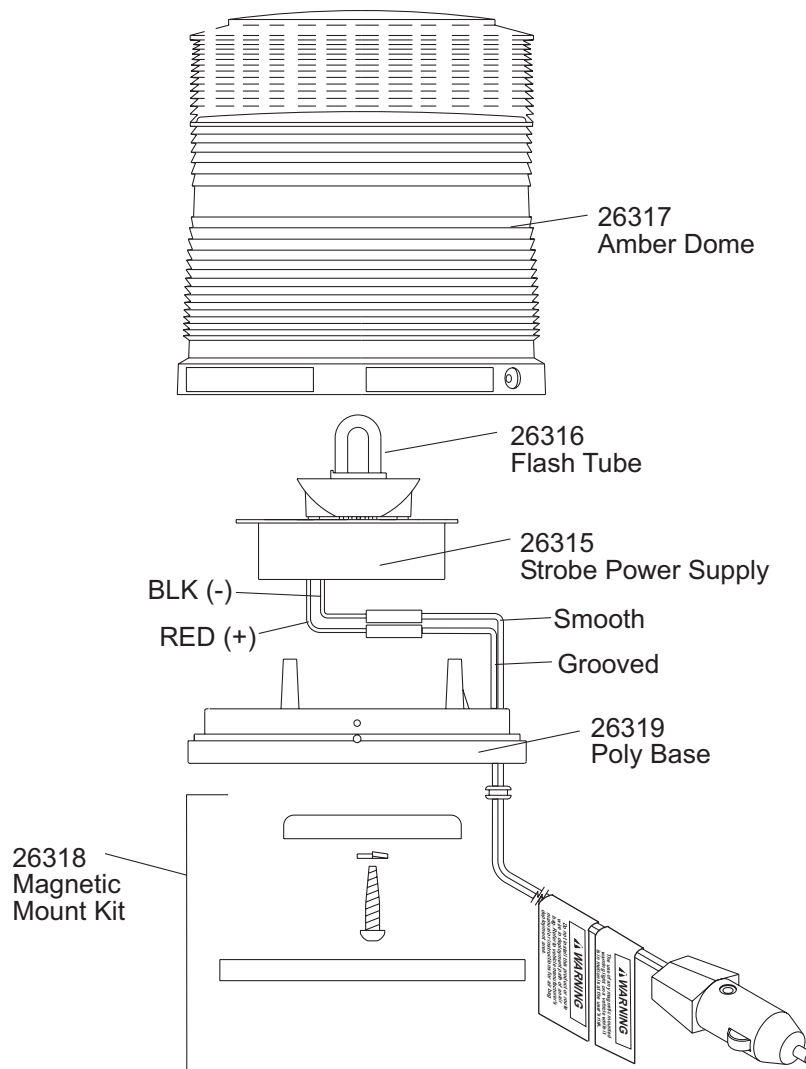
P.O. Box 529 Rockland, Maine 04841

26019

April 15, 1999

No. 26415

Full Size Strobe Light



⚠ WARNING

The use of any magnetic mounted warning light on a vehicle while it is in motion is at the user's risk.

⚠ WARNING

Hazardous voltage. Turn off power. Wait 10 minutes before servicing.

⚠ WARNING

Do not install this product or route wire in deployment path of an air bag. Refer to vehicle manufacturer's manual for air bag deployment area(s).

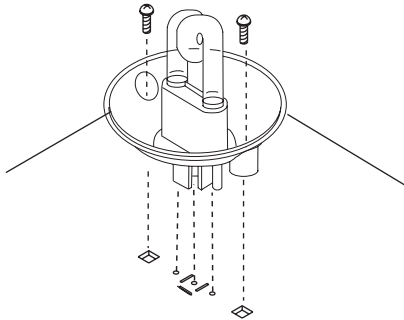
NOTE: Keep drain hole in base facing rear of vehicle.

FLASH TUBE REPLACEMENT

⚠ WARNING

The strobe light is a high voltage device. DO NOT TOUCH the strobe lamp assembly or strobe power supply assembly while the unit is in operation! WAIT 10 MINUTES after turning off power before starting any work or troubleshooting.

1. Using a small phillips screwdriver, remove the two screws holding the polycarbonate optic dome to the base, and remove the optic dome taking precautions not to damage or lose the dome gasket.
2. Remove two #4 x 1/2" phillips head screws from flash tube assembly and lift it free from the power supply assembly.
3. When replacing the flash tube assembly, note that it can be installed one way only. Align the three metal leads and the index pins. Push the assembly into the power supply assembly. Replace the two screws removed in Step 2.



4. Replace the optic dome by aligning the fastener holes in the dome with the holes in the base. Fasten dome to base with screws from Step 1.

TROUBLESHOOTING

Light does not work after initial installation

1. Check wire for proper hook-up.
2. Check power source.
3. Check that the strobe lamp assembly is firmly secured to the power supply assembly.

Strobe light fails or becomes intermittent during service:

1. Check power source.
2. Check power wires for breaks, chafing, or loose connections.
3. Check that the strobe lamp assembly is firmly secured to the strobe power supply assembly.
4. A strobe flash tube (located on the strobe lamp holder assembly) that is 50% black, is at the end of its service life and should be replaced.
5. A strobe flash tube can become hard firing with age. It will sometimes flash normally with the engine running but will fail when operated on a low battery. If so, it should be replaced.

RECOMMENDATIONS

The outer surfaces of the strobe light may be cleaned with glass cleaner. Do not use abrasive or oil-based cleaners as they may dull the lens surface, resulting in reduced light output. Do not use a pressure washer!

Fisher Engineering reserves the right under its product improvement policy to change construction or design details and furnish equipment when so altered without reference to illustrations or specifications used herein. Fisher Engineering and the vehicle manufacturer may require and/or recommend optional equipment for snow removal. Fisher Engineering offers a limited warranty for all snowplows and accessories. See separately printed page for this important information. The following are registered (®) and unregistered (™) trademarks of Douglas Dynamics, L.L.C.: FISHER®

Printed in USA