



Insta-Act® Hydraulic Kit Parts Lists and Diagrams

Table of Contents

EZ-V Connector and Parts Box 2

Fish-Stik® Hand-Held Control and Parts List 3

Hose Routing and Large Bolt Bag 4

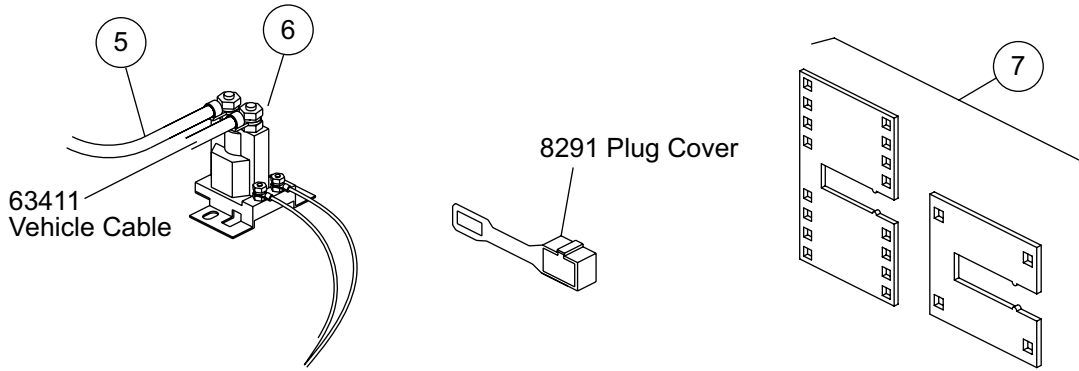
Cylinder Components and Parts Lists 5

EZ-V Insta-Act Hydraulic Power Unit Assembly 6

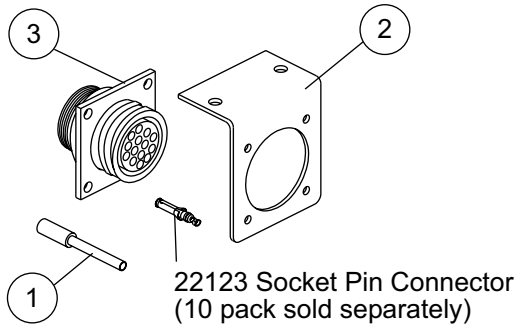
Small Bolt Bag and Backup Ring/O-Ring Kit 8

EZ-V INSTA-ACT HYDRAULIC KIT PARTS LIST

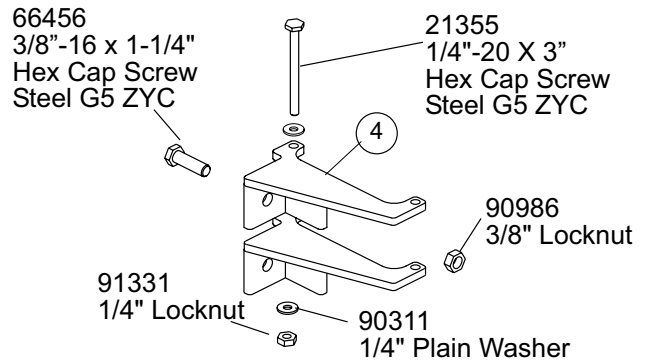
9828 EZ-V Insta-Act Hydraulic Kit					
Part #	Qty	Description	Part #	Qty	Description
66779	1	Hydraulic Unit	26358	1	Snowplow Control Harness
20116	1	1-1/2" x 10" Cylinder Assembly	26346	1	Vehicle Control Harness
56546	2	2" x 10" Double-Acting Cylinder	8291	1	Plug Cover
21727-1	1	Breather – 3/8 NPT	56523	1	Parts Box Assembly – 9828
21294	1	Snowplow Cable Assembly	56496	1	EZ-V Connector Bagged Assembly
63411	1	Vehicle Cable Assembly			



56496 - EZ-V® Snowplow Connector Bagged Assembly



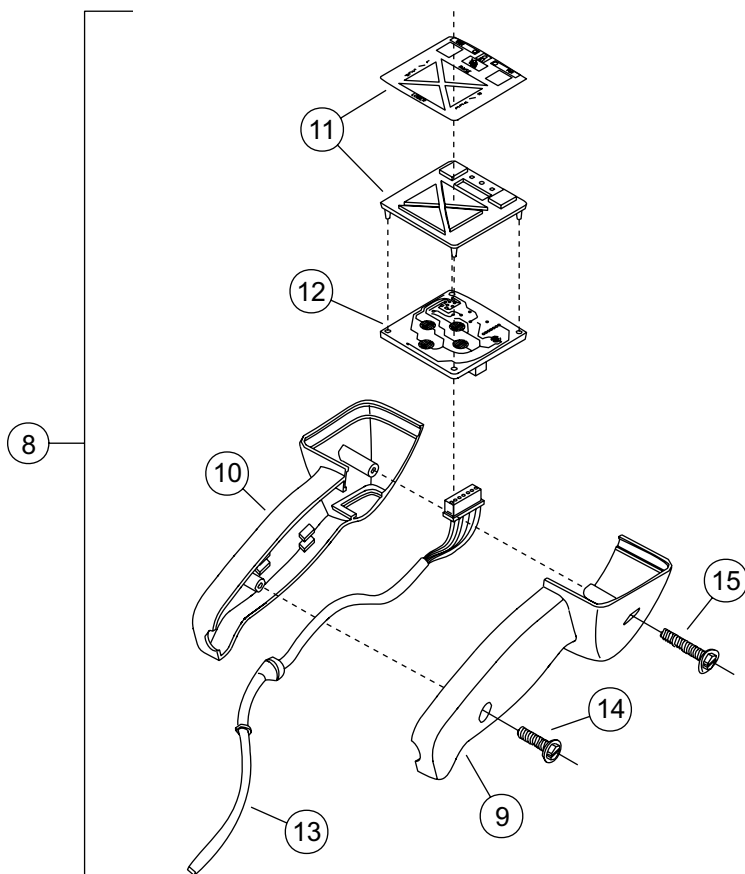
66777 – Mounting Bracket Service Kit



56496 – EZ-V Connector Bagged Assembly			
Ref #	Part #	Qty	Description
1	66767	1	Pin Removal Tool
2	66634	1	Vehicle Harness Bracket
ns	80134	4	#6 x 1/4" Tapping Screw
ns	90597	4	#6 EX Tooth Lock Washer
ns	5800	2	#8-18 x 5/8" Tapping Screw Hi Lo
3	56497	1	14-Pin Connector Housing
ns = not shown			

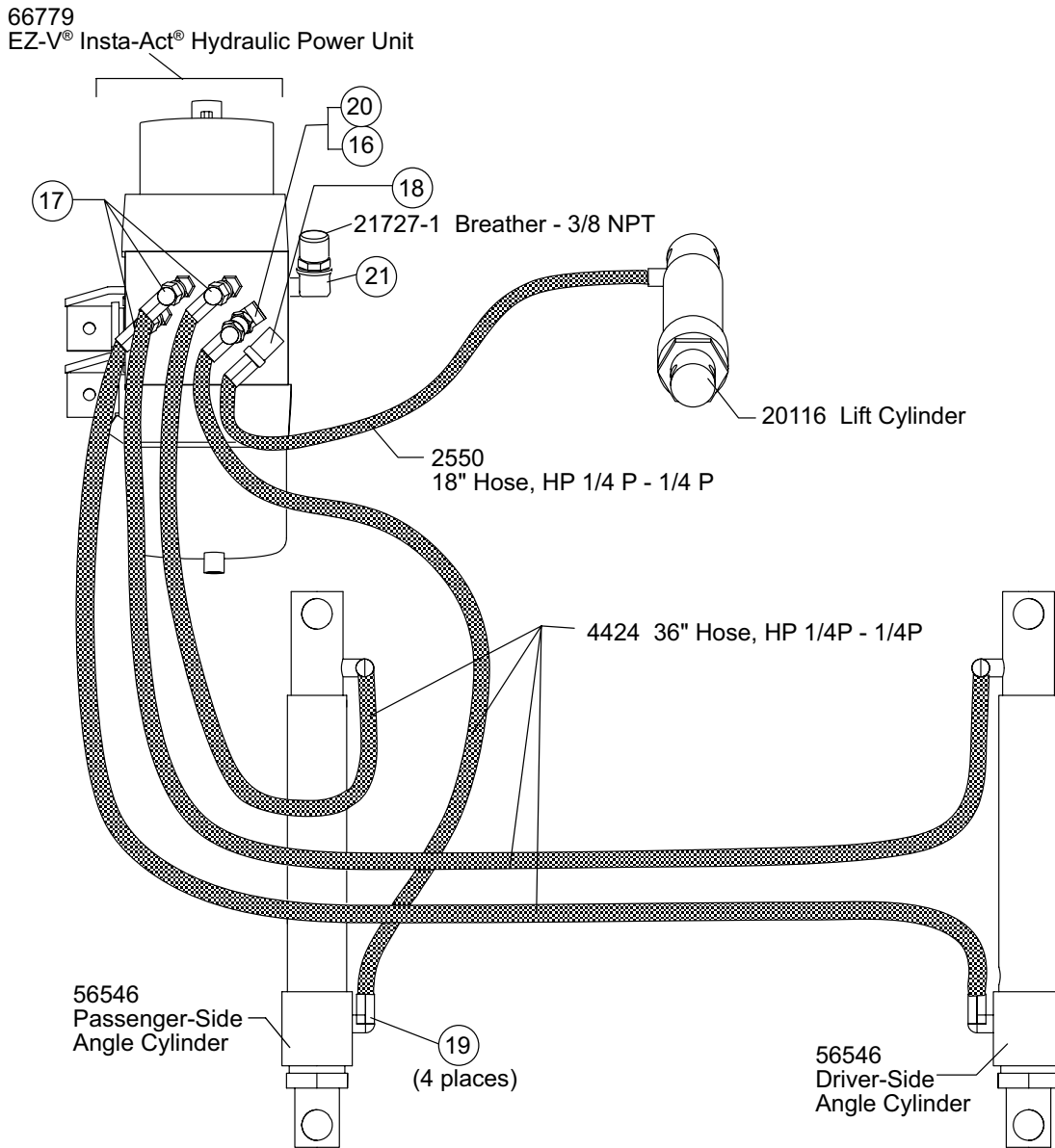
56523 Parts Box Assembly			
Ref #	Part #	Qty	Description
-	66636	1	Fish-Stik® Assembly
4	21577	2	Mounting Bracket
5	22511	1	Battery Cable, 22" Red
6	5794	1	Motor Relay
ns	8284	1	Cable Boot
-	4424	4	High Pressure Hose 1/4" x 36"
-	2550	1	High Pressure Hose 1/4" x 18"
7	56526	1	Panel Mount Set (long & short)
ns	69189	1	Fuse 5AFB NANO2
ns	66648	1	Bolt Bag for 9828
ns = not shown			

FISH-STIK® HAND-HELD CONTROL



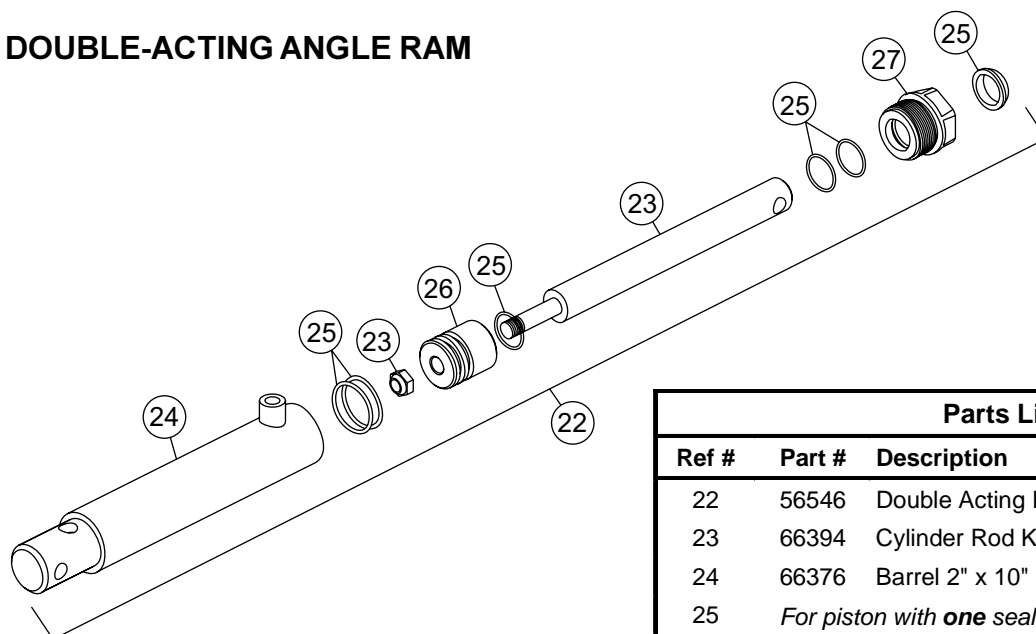
66636 – Fish Stik® Parts List							
Ref #	Part #	Qty	Description	Ref #	Part #	Qty	Description
8	66636	1	Fish-Stik Assembly	13	66633	1	EZ-V Coiled Cord
9	49320	1	Control Body - Right	14	93173	1	#8-18 x 3/4" Slotted Screw
10	49321	1	Control Body - Left	16	93174	1	#8-18 x 1-1/4" Slotted Screw
11	66794	1	EZ-V® Keypad Assembly	ns	69189	1	Fuse 5AFB NANO2
12	66793	1	EZ-V Assembly PCB	ns	69190	1	Fuse 5AFB NANO2 (5 pack)
ns = not shown							

HOSE ROUTING



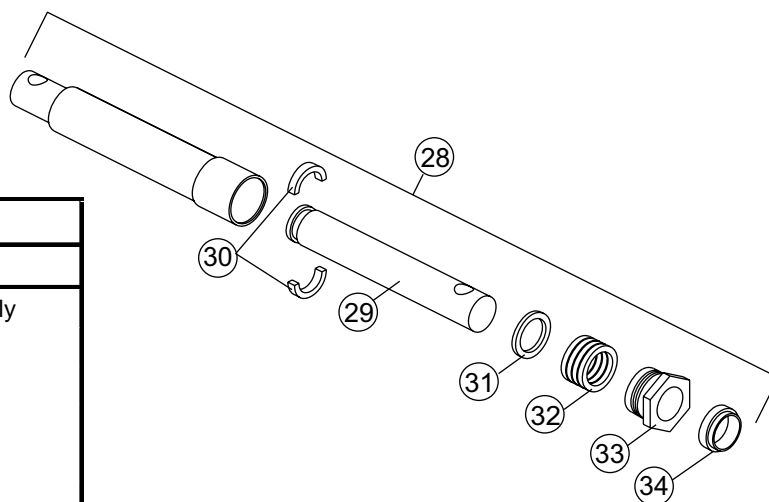
66648 – Bolt Bag Assembly Large						
Ref #	Part #	Qty	Description	Ref #	Part #	Qty Description
ns	22260	4	1" x 4-3/4" Clevis Pin	20	8476	1 1/4 NPT x 45° Street Elbow
ns	6814	2	1" x 3-5/16" Clevis Pin	21	21726	1 3/8 NPT 90° Street ELL
ns	90601	6	1/4" x 1-1/2" Cotter Pin	ns	8329K	1 Dielectric Grease Tube
16	66562	1	1/4" Straight Adapter Union (Male)	ns	3666	9 Cable Tie – Black 3/16" x 8"
17	8127	3	45° Adapter Union (male) 1/4 NPTF/NPSM	ns	8324	8 Cable Tie – Black 3/16" x 14"
18	2318	1	1/4 NPT x 90° Union Elbow	ns	*	EZ-V Small Bolt Bag
19	2780K	4	1/4 NPT x 90° Street Elbow			
ns = not shown				* available as part of service kit only		

DOUBLE-ACTING ANGLE RAM



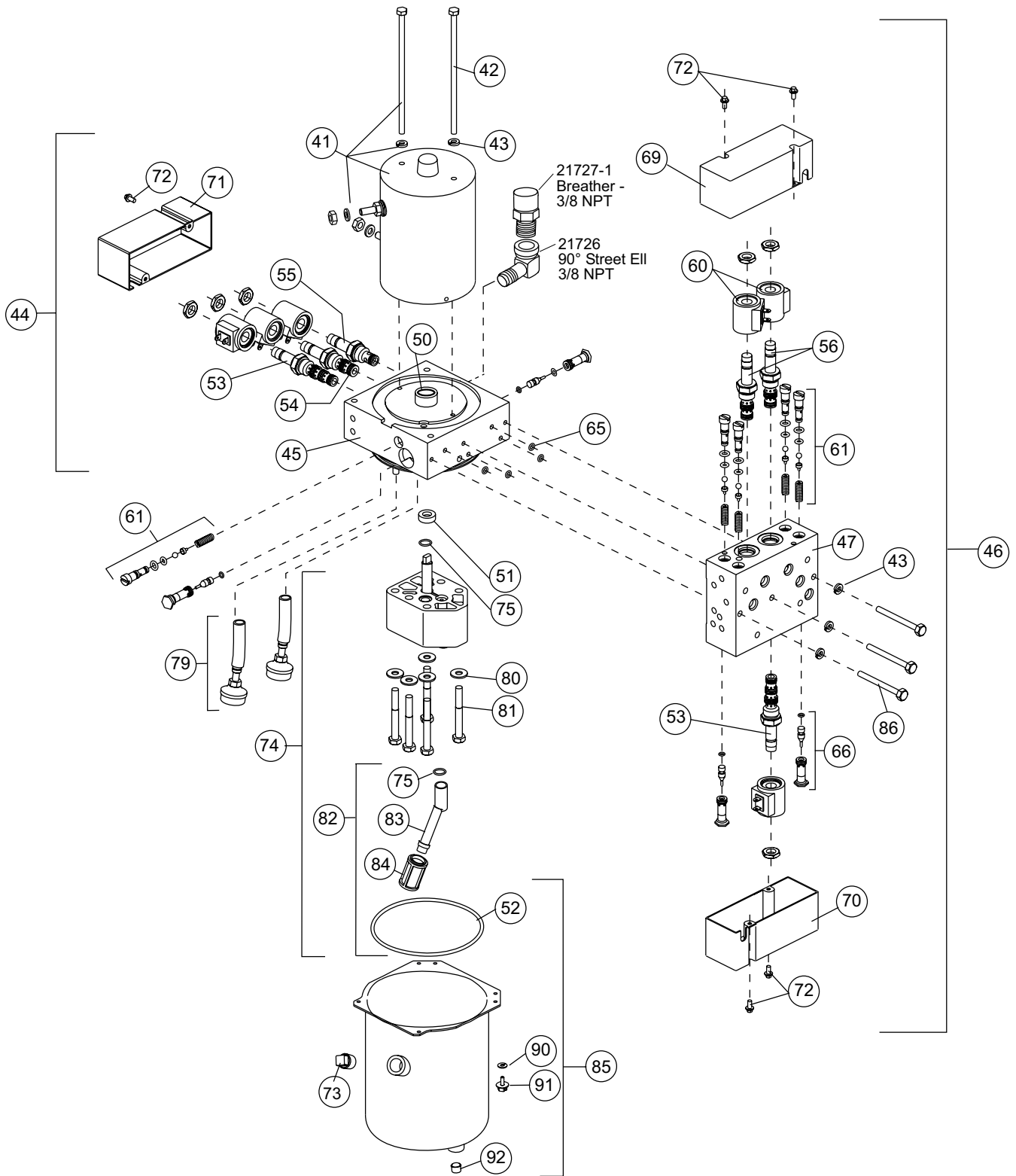
Parts List		
Ref #	Part #	Description
22	56546	Double Acting Ram
23	66394	Cylinder Rod Kit
24	66376	Barrel 2" x 10"
25	<i>For piston with one seal groove use:</i>	
	56669	Seal Kit, 2" Double Acting Ram
	<i>For piston with two seal grooves use:</i>	
	56678	Seal Kit With Piston, 2" Double Acting Ram
26	<i>For piston with one seal groove use:</i>	
	56549	Piston 2"
	<i>For piston with two seal grooves use:</i>	
	56678	Seal Kit With Piston, 2" Double Acting Ram
27	56579	Gland Nut 2"

SINGLE-ACTING LIFT RAM



Parts List		
Ref #	Part #	Description
28	20116	1-1/2 x 10" Cylinder Assembly
29	20618	10" Rod Assembly
30	20118K	Split Bearing
31	338	Washer
32	339K	Packing Set
33	5763	Packing Nut
34	341K	Wiper

EZ-V® INSTA-ACT® HYDRAULIC POWER UNIT ASSEMBLY



66779 EZ-V® Insta-Act® Hydraulic Power Unit Parts List							
Ref #	Part #	Qty	Description	Ref #	Part #	Qty	Description
41	21500	1	Motor Assembly (includes ref #50)	71	66619	1	Cover Assembly 4-4-2 Way
42		2	See Page 8	72	90650	6	Cover Screw
43	90359	5	1/4" Split Lock Washer	73	7621	1	Plug 3/8 NPTF SQ
44	66773	1	Primary Valve Manifold Assy w/ coils, cartridges, covers	74	21501	1	Hydraulic Pump Kit
45	66775	1	Primary Manifold Assy w/o coils, cartridges, covers	75	56274	2	O-ring 013
46	66771	1	Secondary Valve Manifold Assy w/ coils, cartridges, covers	79	66405	2	Return Screen Assembly
47	66772	1	Secondary Manifold Assy w/o coils, cartridges, covers	80	90311	5	1/4" Flat Washer
50		1	See Page 8	81	90080	5	5/16"-18 x 2-1/2 Hex Cap Screw Steel G5 ZYC
51	66515	1	Pump Shaft Seal	82	66763	1	Pick-up Tube Parts Bag
52	66519	1	O-Ring 2-250	83	56484	1	Inlet Fitting - Plastic
53	7637K	2	Cartridge 40 w/ Jam Nut	84	7053K	1	Suction Filter
54	66783K	1	Cartridge 43 w/ Jam Nut	85	21830	1	Reservoir Kit
55	7634K	1	Cartridge 20 w/ Jam Nut	86	66597	3	1/4"-20 x 2-1/2" Hex Cap Screw Steel G5 ZYC
56	7636K	2	Cartridge 30 w/ Jam Nut	90	90989	4	#10 Lock Washer
60	7639K	6	Coil w/ Spade Terminals	91	66607	4	#10-24 Slotted Hex Washer-Head MS
61	7629K	3	Relief Valve Kit – 2 Sets	92	92095	1	1/4" NPT Hex Socket Drain Plug
65	25731	4	O-Ring - 010	ns	66781	1	Back-up/O-ring Kit - V
66	66785K	4	Pilot-Operated Check Valve	ns		1	Brush Kit See Page 8
69	66620	1	Cover Assembly EZ-V 3-3 Way	ns	7635	1	Seal Kit–Cartridge 20
70	66621	1	Cover Assembly EZ-V 4 Way	ns	7638	1	Seal Kit– Cartridge 30, 31, 33, 40 & 43
EZ-V® Small Bolt Bag							
Part #	Qty	Description	Part #	Qty	Description	Part #	Qty
21355	2	1/4-20 x 3" Cap Screw Steel G5 ZYC	56436	1	Control Bracket		
90311	4	1/4" Flat Washer	80135	3	#6x1" PH PN TC Tapping Screw TY F		
90360	2	5/16" Lock Washer	91230	3	#6 Lock Washer		
90657	2	#10 Lock Washer	90656	2	#10 Flat Washer		
90350	2	1/4-20 Locknut Nylon Insert	90654	2	#8-32x3/8" SL HXW TC Tapping Screw TYT		
3042	2	Rubber Grommet	90655	2	#8 Lock Washer		
4302	1	In-Line Connector - Insulated	66456	2	3/8-16x1-1/4" Hex Cap Screw Steel G5 ZYC		
90672	2	5/16-24 Jam Nut	90986	2	3/8-16 Locknut		
90673	2	#10-32 Hex Nut					
66781 – Backup Ring/O-Ring Kit							
Part #	Qty	Description	Part #	Qty	Description	Part #	Qty
25622	1	O-Ring – 006	66519	1	O-Ring 2-250		
55371	9	O-Ring – 008	56315	1	Backup Ring – 006		
25731	9	O-Ring – 010	66628	4	Backup Ring – 008		
66627	4	O-Ring – 011	56569	4	O-Ring – 906		
56274	2	O-Ring – 013					
ns = not shown							

Motor Manufacturer Identification and Service Parts
 Photos show terminal positions and end caps for brand identification.



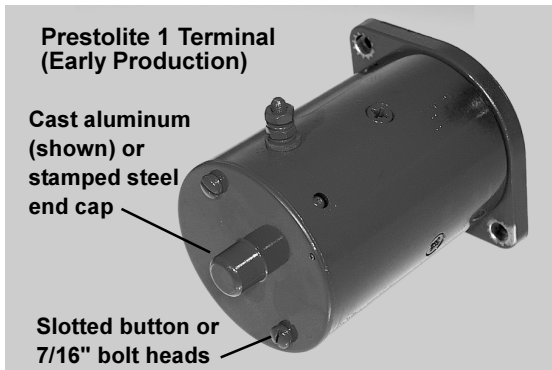
PART #	QTY.	DESCRIPTION
56665	1	Brush Kit - BOSCH 2 Terminal
22342K	1	CS HX 1/4-20 X 6-1/4 G5 ZYC
90359	2	Washer SP LK 1/4
21535	1	Washer, Fiber Thrust 5/8 (drive end)



PART #	QTY.	DESCRIPTION
56666	1	END CAP W/ O-RING – PRESTOLITE 2 Terminal
56667	1	Brush Kit – PRESTOLITE 2 TERMINAL
27044K	1	Thru-Bolt Kit – PRESTOLITE 2 TERMINAL (Includes cap screws and special washers.)
56668	1	Thrust Washer KIT – PRESTOLITE 2 Terminal (Includes retaining ring for early production.)



PART #	QTY.	DESCRIPTION
21548	1	Brush Kit – BOSCH 1 Terminal
22342K	1	CS HX 1/4-20 X 6-1/4 G5 ZYC
90359	2	Washer SP LK 1/4
21535	1	Washer, Fiber Thrust 5/8 (drive end)



PART #	QTY.	DESCRIPTION
7619	1	Brush Kit – PRESTOLITE 1 Terminal

Copyright © 2001 Douglas Dynamics, L.L.C. All rights reserved. This material may not be reproduced or copied, in whole or in part, in any printed, mechanical, electronic, film or other distribution and storage media, without the written consent of Fisher Engineering. Authorization to photocopy items for internal or personal use by Fisher Engineering outlets is granted.

Fisher Engineering reserves the right under its product improvement policy to change construction or design details and furnish equipment when so altered without reference to illustrations or specifications used herein. Fisher Engineering and the vehicle manufacturer may require and/or recommend optional equipment for snow removal. Fisher Engineering offers a limited warranty for all snowplows and accessories. See separately printed page for this important information. The following are registered (®) trademarks of Douglas Dynamics, L.L.C.: FISHER®, Fisk-Stik®, Insta-Act®, EZ-V®

Printed in U.S.A.