



# Insta-Act® Hydraulic Kit

## EZ-V Snowplows

### Parts List

**EZ-V® Insta-Act Hydraulic Unit Assembly .....2**

**Small Bolt Bag and Backup Ring/O-Ring Kit ..... 3**

**EZ-V Connector Assembly and Parts Box.....4**

**Hydraulic Fitting Identification, Hose Routing and Large Bolt Bag ..... 5**

**Ram Components ..... 6**

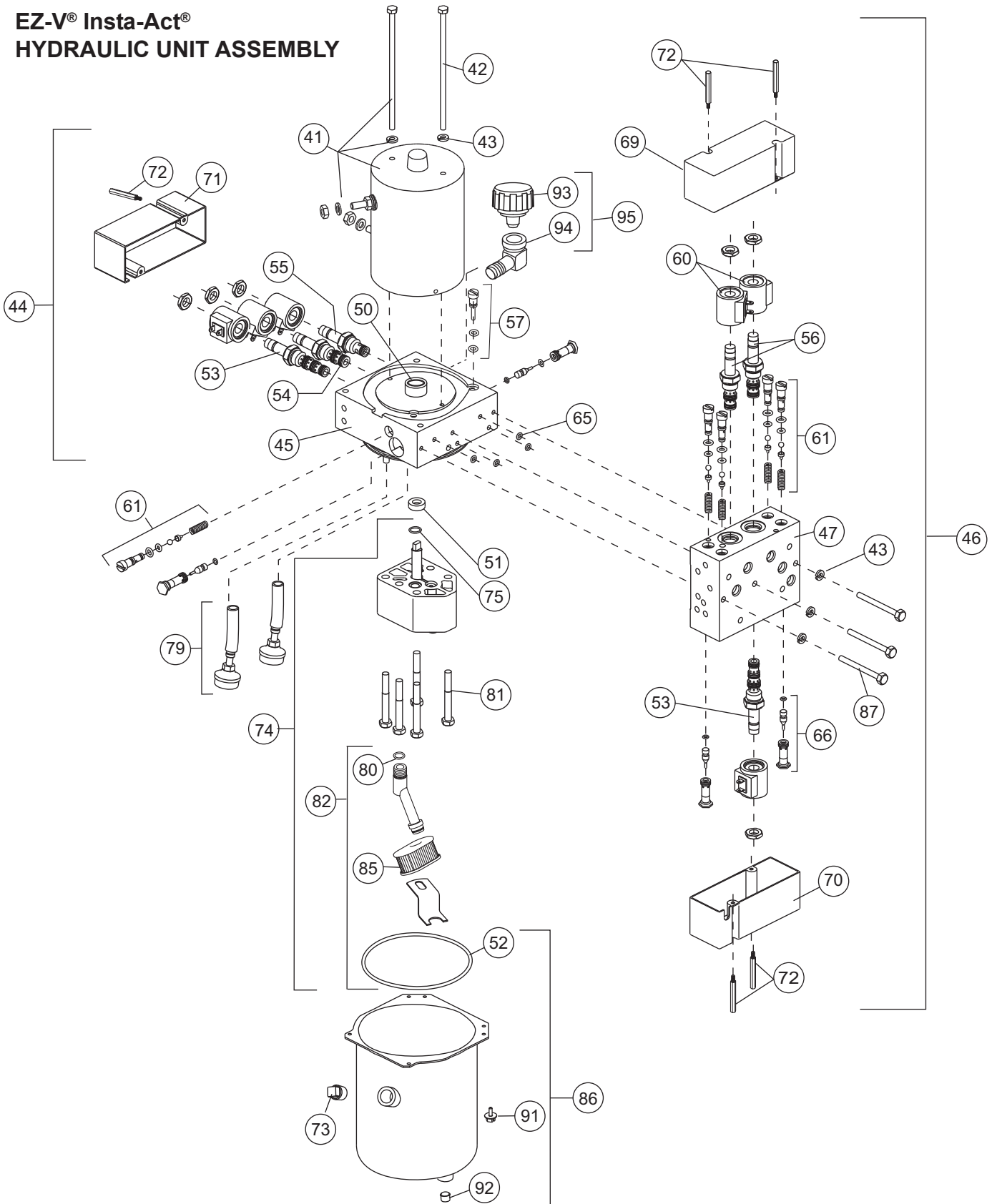
**Harness Wiring Diagram ..... 7**

**Motor Manufacturer Identification and Service Parts ..... 8**

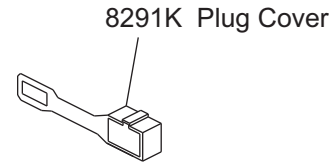
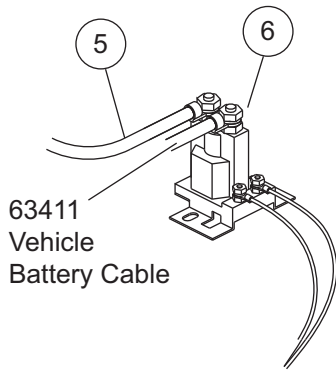
#### EZ-V Insta-Act HYDRAULIC KIT

9828-4 EZ-V Insta-Act Hydraulic Kit					
Part	Qty	Description	Part	Qty	Description
66779-1	1	Hydraulic Unit	26358	1	Plow Control Harness 7-Pin
56600K	1	1-1/2 x 10 Ram Assy	26346	1	Vehicle Control Harness 7-Pin
56709F	2	Kit, DA Ram, 2 x 10	8291K	1	Plug Cover
21294	1	Plow Battery Cable	56756	1	Parts Box Assembly – 9828-4
63411	1	Vehicle Battery Cable	56496	1	EZ-V Connector Bagged Assy

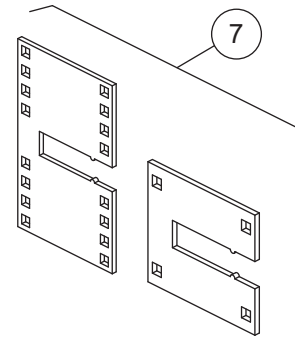
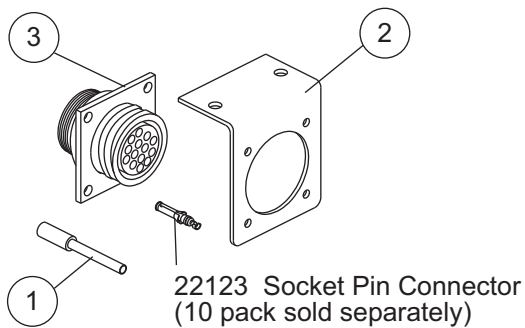
**EZ-V® Insta-Act®  
HYDRAULIC UNIT ASSEMBLY**



66779-1 EZ-V® Insta-Act® Hydraulic Unit Parts List							
Item	Part	Qty	Description	Item	Part	Qty	Description
41	21500K-1	1	Motor Assy	69	66620	1	Cover Assembly EZ-V 3-3 Way
42	-	2	See Page 8	70	66621	1	Cover Assembly EZ-V 4 Way
43	91201	5	1/4 Spring Lock Washer	71	56763	1	Cover Assembly 4-4-2
44	66773-1	1	Primary Valve Manifold Assy w/coils, cartridges, covers	72	56580	6	Standoff Screw
45	66775-1	1	Primary Manifold Assy w/o coils, cartridges, covers	73	92079	1	3/8 Plug NPTF Square
46	66771-1	1	Secondary Valve Manifold Assy w/ coils, cartridges, covers	74	21501K	1	Hydraulic Pump Kit
47	66772-1	1	Secondary Manifold Assy w/o coils, cartridges, covers	75	56274	1	O-Ring – 013
50	-	1	Fiber Thrust Washer – See Page 8	79	66405	2	Return Screen Assembly
51	66515	1	Pump Shaft Seal	80	56416	1	O-Ring – 014
52	66519	1	O-Ring 2-250	81	90073	5	5/16-18 x 2-1/4 Hex Cap Screw G5
53	7637K	2	Cartridge 40 w/ Jam Nut	82	66763	1	Inlet Fitting/Filter Kit
54	66783K	1	Cartridge 43 w/ Jam Nut	85	26781	1	Suction Filter
55	7634K	1	Cartridge 20 w/ Jam Nut	86	21830	1	Reservoir Kit
56	7636K	2	Cartridge 30 w/ Jam Nut	87	66597	3	1/4-20 x 2-1/2 Hex Cap Screw G5
57	56662	1	Quill Assembly	91	66607	4	10-24 x 5/16 Machine Screw
60	7639K	6	Coil w/ Spade Terminals	92	92095	1	1/4 Plug NPTF Hex Square Thread Seal
61	7629K	3	Relief Valve Kit – 2 Sets	93	21727-2	1	Breather, Pressure Control
65	25731	4	O-Ring – 010	94	21726	1	3/8 NPTF x 90° Street Elbow Brass
66	66785K	4	Pilot-Operated Check Valve	95	22344K	1	90° Street Elbow w/Breather
				ns	7632K	1	Back-Up/O-Ring Kit
				ns	-	1	Brush Kit – See Page 8
				ns	7635	1	Seal Kit – Cartridge 20
				ns	7638	1	Seal Kit – Cartridge 30, 31, 33, 40 & 43
EZ-V Small Bolt Bag							
Part	Qty	Description	Part	Qty	Description		
21355	2	1/4-20 x 3 Hex Cap Screw G5	4302	1	In-Line Connector – Insulated		
90311	4	1/4 Flat Washer	92842	2	5/16-24 Hex Jam Nut G5		
91202	2	5/16 Spring Lock Washer	91402	2	10-32 Hex Machine Screw Nut		
91242	2	10 Spring Lock Washer	93157	2	8-32 x 3/8 Tapping Screw		
91331	2	1/4-20 Hex Locknut GB	91231	2	8 Spring Lock Washer		
66130	2	Rubber Grommet					
7632K Backup Ring/O-Ring Kit							
Part	Qty	Description	Part	Qty	Description		
25622	1	O-Ring – 006	56274	1	O-Ring – 013		
55371	5	O-Ring – 008, 90 Durometer	56416	1	O-Ring – 014		
56776	4	O-Ring – 008, 70 Durometer, Red	66519	1	O-Ring 2-250		
25731	9	O-Ring – 010	56315	1	Backup Ring – 006		
66627	4	O-Ring – 011	66628	4	Backup Ring – 008		
25730	4	O-Ring – 012	56569	4	O-Ring – 906		
ns = not shown				G = Grade			



56496 EZ-V® Snowplow Connector Bagged Assembly



56496 EZ-V Connector Bagged Assembly			
Item	Part	Qty	Description
1	66767	1	Pin Removal Tool
2	66634	1	Vehicle Harness Bracket
ns		4	6-32 x 1/4 Tapping Screw
ns	90597	4	#6 External Lock Washer
ns	5800	2	8-18 x 5/8 Hi-Lo
3	56497	1	14-Pin Connector Housing
ns = not shown			

56756 Parts Box Assembly			
Item	Part	Qty	Description
5	22511	1	Battery Cable, 22" Red
6	5794K	1	Motor Relay
ns	8284K	1	Cable Boot
ns	21727-2	1	Breather, Pressure Control
-	56831	4	High Pressure Hose 1/4 x 36 (JIC Ends)
-	56754	1	High Pressure Hose 1/4 x 18 (JIC Ends)
7	56526	1	Panel Mount Set (long & short)
ns	69189	1	Fuse 5AFB NANO2
ns	56757	1	Bolt Bag for 9828-4
ns = not shown			

### HYDRAULIC FITTING IDENTIFICATION



56726  
9/16" O-Ring to  
JIC 45° Elbow



56725  
9/16" O-Ring to  
JIC 90° Elbow



21726 or 2780K  
3/8" or 1/4" NPTF  
90° Street Elbow



66562  
1/4" Straight AD  
Union (Male)



8127K  
45° F AD Union (Male)  
1/4 NPTF/NPSM



319K  
90° F AD Union (Male)  
1/4 NPTF/NPSM

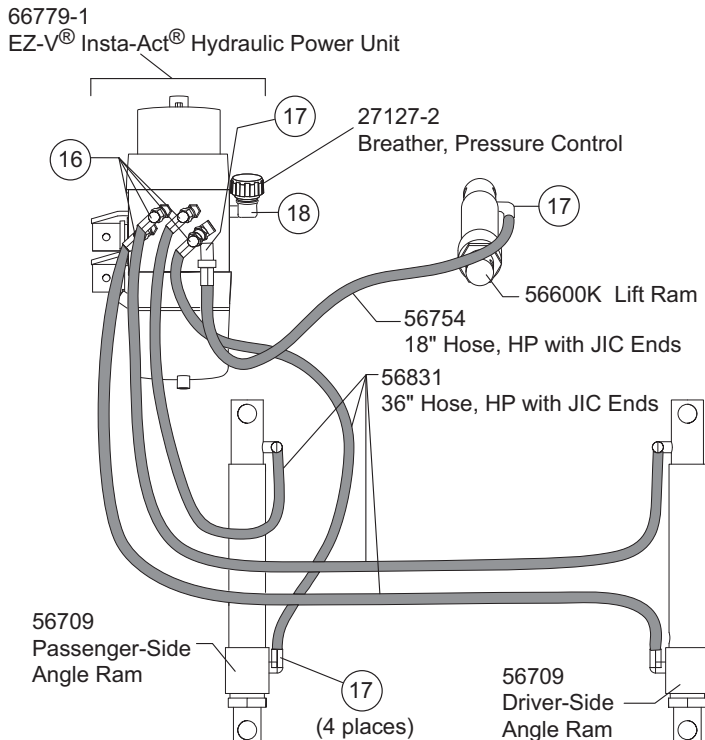


8476  
1/4" NPTF x 45°  
Street Elbow



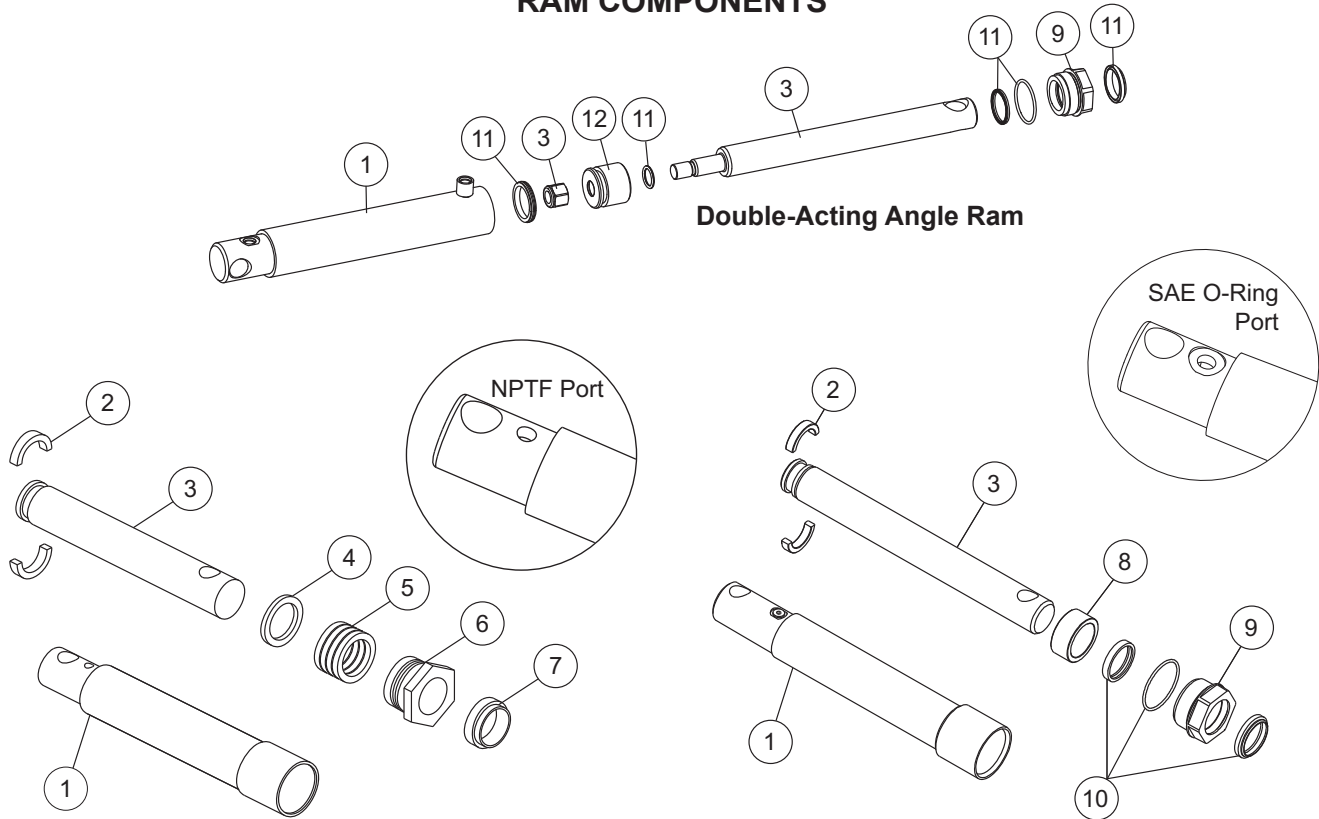
20316K  
9/16" O-Ring to  
1/4" NPTF 90° Elbow

### HOSE ROUTING



56757 Bolt Bag Assembly Large				
Item	Part	Qty	Description	
ns	22260	4	1OD x 4-3/4 Clevis Pin	
ns	6814	1	1OD x 3-5/16 Clevis Pin	
ns	95720	1	1OD x 3-5/16 Clevis Pin HT	
ns	90601	6	1/4 x 1-1/2 Cotter Pin	
16	56726	4	9/16" O-Ring to JIC 45° Elbow	
17	56725	6	9/16" O-Ring to JIC 90° Elbow	
18	21726	1	3/8 NPTF 90° Street Elbow	
ns	8329K	1	Dielectric Grease Tube	
ns	59223	9	Cable Tie – Black 3/16 x 8	
ns	8324	8	Cable Tie – Black 3/16 x 14	
ns	*		EZ-V Small Bolt Bag	
* Available as part of service kit only.				
ns = not shown				

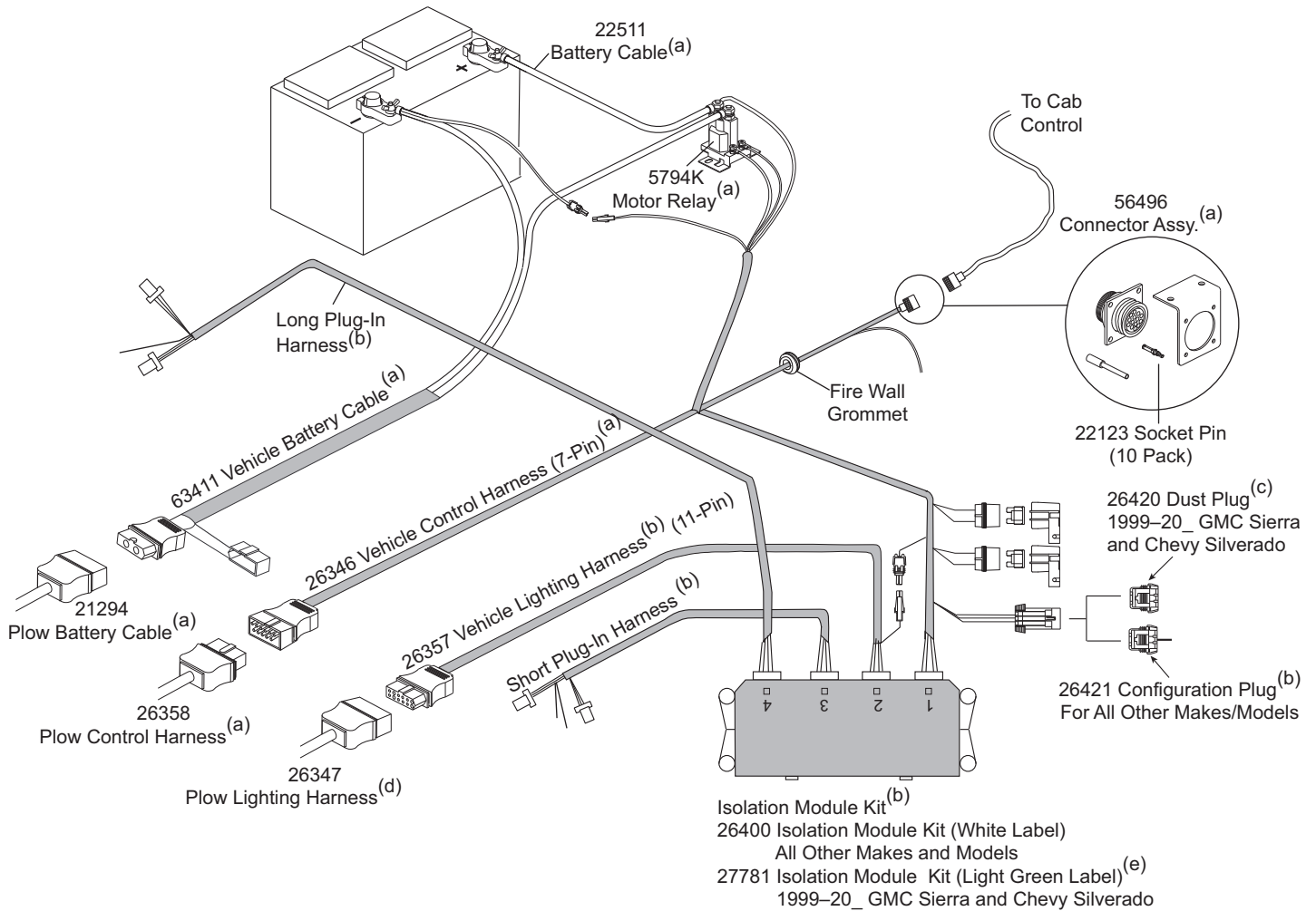
**RAM COMPONENTS**



Ram Kit Parts List					
Item	Description	Rams w/NPTF Port		Rams w/SAE O-Ring Port	
		20116K	N/A*	56600K	56709F
	Part	1-1/2 x 10 Ram Assy	2 x 10 Double-Acting Ram	1-1/2 x 10 Ram Assy	2 x 10 Double-Acting Ram
1	Cylinder	N/A	N/A	56602	64311
2	Split Bearing	20118K		20118K	
3	Rod Assembly	26981	66394	26981	66394
4	Washer	338			
5	Packing Set	339K			
6	Packing Nut	25944			
7	Wiper	341K			
8	Spacer			56537	
9	Gland Nut		48985	48985	48985
10	PolyPak Seal Kit			56556	
11	Seal Kit		56669		56669
12	Seal Kit w/Piston, 2"		56678		56678

\* Use Ram w/SAE O-Ring Port (PN 56709F) to replace 2" x 10" Double-Acting Ram w/NPTF Port.

## HARNES WIRING DIAGRAM EZ-V® w/Insta-Act® 9828-4 and Plug-In Harness Kit



- (a) Packed in 9828-X Hydraulic Kit.
- (b) Packed in Plug-In Harness Kit.
- (c) Packed in Plug-In Harness Kit #8437 and 27780 only.
- (d) Packed in 8435 Headlamp Kit.
- (e) Supersedes Yellow Label.

NOTE: Unless otherwise noted, packed in hydraulic kit.

**MOTOR MANUFACTURER IDENTIFICATION AND SERVICE PARTS**

Photos show terminal positions and end caps for brand identification.



<b>Bosch 2 Terminal</b>		
<b>Part</b>	<b>Qty</b>	<b>Description</b>
56665	1	Brush Kit
22342K	1	Motor Cap Screws
91201	2	1/4 Spring Lock Washer
21535	1	5/8 Fiber Thrust Washer (drive end)

<b>Prestolite 2 Terminal</b>		
<b>Part</b>	<b>Qty</b>	<b>Description</b>
56666	1	End Cap w/O-Ring
27044K	1	Thru-Bolt Kit (Includes cap screws and special washers.)
56668	1	Thrust Washer Kit (Includes retaining ring for early production.)

Copyright © 2013 Douglas Dynamics, L.L.C. All rights reserved. This material may not be reproduced or copied, in whole or in part, in any printed, mechanical, electronic, film or other distribution and storage media, without the written consent of Fisher Engineering. Authorization to photocopy items for internal or personal use by Fisher Engineering outlets or snowplow owner is granted.

Fisher Engineering reserves the right under its product improvement policy to change construction or design details and furnish equipment when so altered without reference to illustrations or specifications used. Fisher Engineering and the vehicle manufacturer may require and/or recommend optional equipment for snow removal. Do not exceed vehicle ratings with a snowplow. Fisher Engineering offers a limited warranty for all snowplows and accessories. See separately printed page for this important information. The following are registered (®) trademarks of Douglas Dynamics, L.L.C.: FISHER®, Insta-Act®, EZ-V®.

Printed in U.S.A.