



Fisher Engineering

P.O. Box 529 Rockland, Maine 04841

September 1, 2005
Lit. No. 26563, Rev. 01

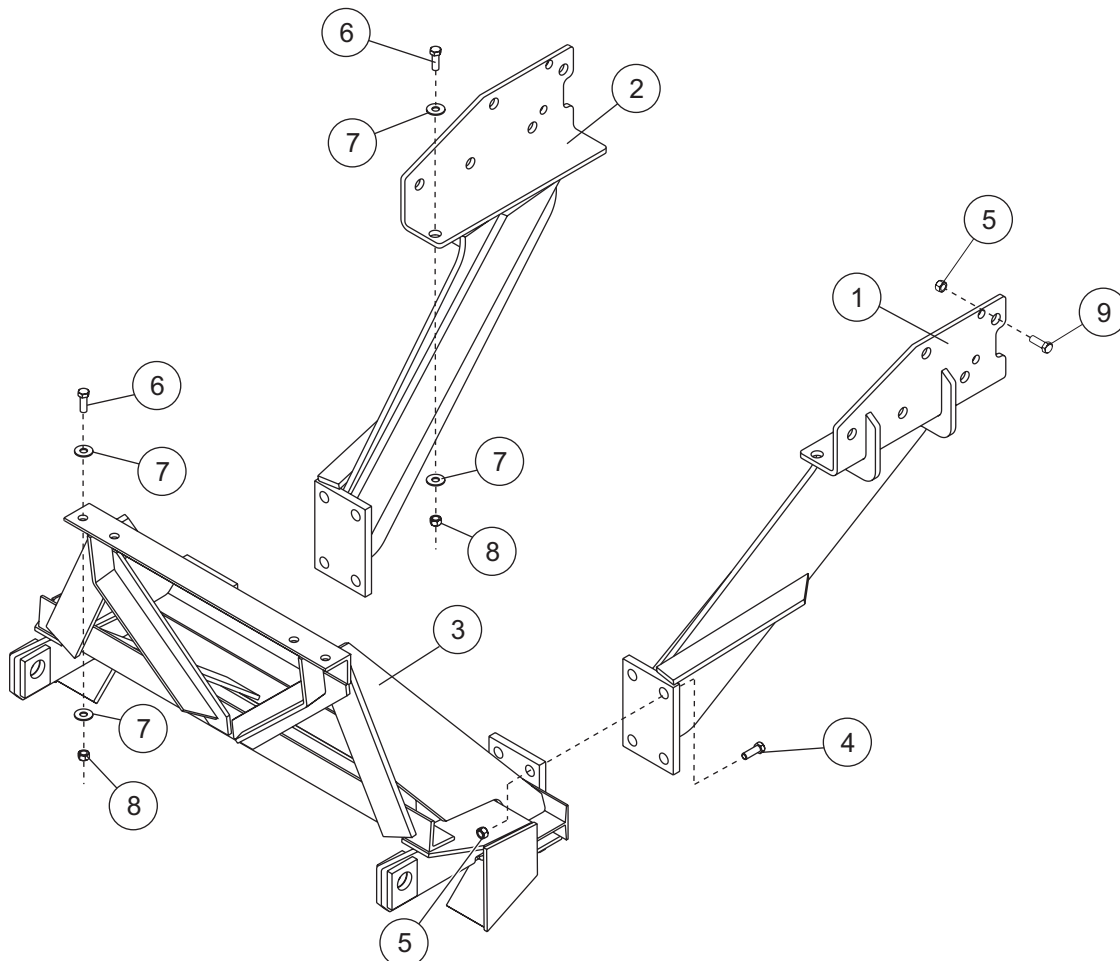
Minute² SYSTEM

MOUNT KIT

Ford Super Duty F650

2000 - 03

Parts List



7164

7164 Mount Kit							
Item	Part	Qty	Description	Item	Part	Qty	Description
1	26549	1	Pushplate – PS	3	26555	1	Pushbar Assembly
2	26548	1	Pushplate – DS	ns	26564	1	Bolt Bag – 7164
26564 Bolt Bag – 7164							
4	90129	8	5/8-11 x 2 Hex Cap Screw G5	8	90593	6	1/2-13 Hex Locknut GC
5	91337	18	5/8-11 Hex Locknut GB	9	90127	10	5/8-11 x 1-1/2 Hex Cap Screw G5
6	90218	6	1/2-13 x 2 Hex Cap Screw G8	ns	8992	2	Anti-Chafing Material
7	90572	12	1/2 Hardened Flat Washer	ns	3666	6	Hose Tie
ns = not shown				G = grade			

Copyright © 2005 Douglas Dynamics, L.L.C. All rights reserved. This material may not be reproduced or copied, in whole or in part, in any printed, mechanical, electronic, film or other distribution and storage media, without the written consent of Fisher Engineering. Authorization to photocopy items for internal or personal use by Fisher Engineering outlets or snowplow owner is granted.

Fisher Engineering reserves the right under its product improvement policy to change construction or design details and furnish equipment when so altered without reference to illustrations or specifications used. Fisher Engineering and the vehicle manufacturer may require and/or recommend optional equipment for snow removal. Do not exceed vehicle ratings with a snowplow. Fisher Engineering offers a limited warranty for all snowplows and accessories. See separately printed page for this important information. The following are registered (®) trademarks of Douglas Dynamics, L.L.C.: FISHER®, Minute Mount® 2.

Printed in U.S.A.