



**Fisher Engineering**

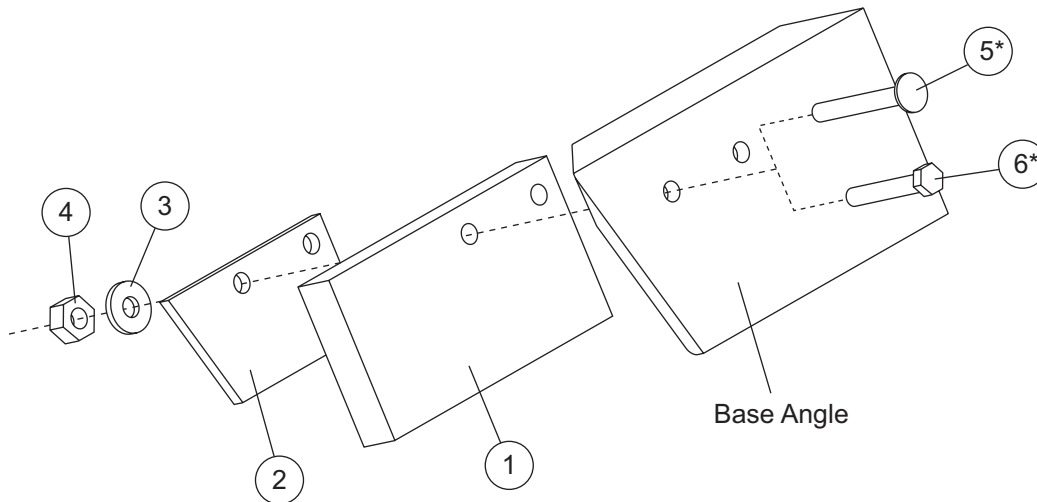
P.O. Box 529, Rockland, ME 04841

**26858-1**

March 19, 2004  
Lit. No. 26622



## Center Flap Kit



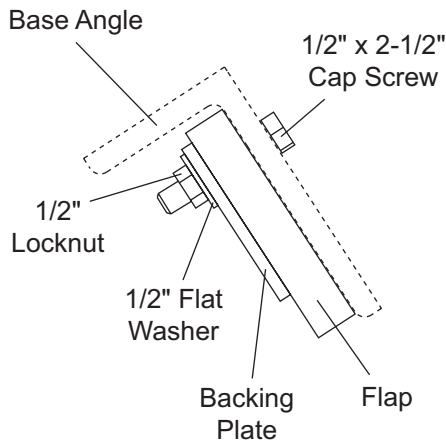
26858-1 EZ-V Center Flap Kit						
Item	Part	Qty	Description	Item	Part	Qty Description
1	26341	1	EZ-V Center Flap (Pair)	ns	26348	1 Bolt Bag for 26858-1
2	21054	2	Backing Plate			
26348 Bolt Bag for 26858-1						
3	91105	4	1/2 Flat Washer	5*	98053	4 1/2-13 x 3 Carriage Bolt G8
4	91335	4	1/2-13 Hex Locknut GB	6*	90104	4 1/2-13 x 2-1/2 Hex Cap Screw G5
ns = not shown						
* Use Item 6 if no cutting edge is installed; use Item 5 if a cutting edge is installed.						

**INSTALLATION INSTRUCTIONS**

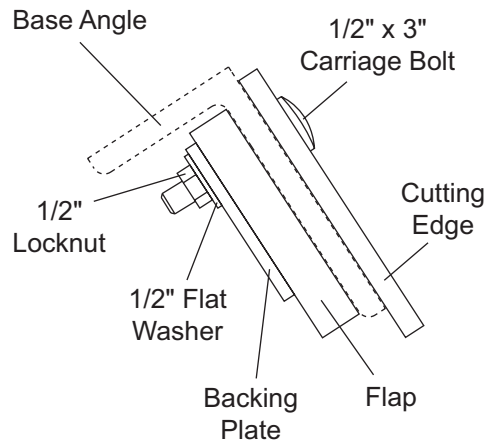
**⚠ CAUTION**

**Wear leather gloves when handling rubber flaps. Flaps have exposed wire threads which may puncture skin.**

1. Using two 1/2" x 2-1/2" cap screws, 1/2" washers and locknuts, install one flap and backing plate to the back of one base angle as shown. If a cutting edge is installed, do not use 1/2" x 2-1/2" cap screws. Instead, replace existing 1/2" x 2" carriage bolts with 1/2" x 3" carriage bolts provided with center flap kit.
2. Tighten locknut until the rubber flap is slightly compressed.
3. Repeat for the other base angle, using remaining fasteners as directed in Step 1.



**With No Cutting Edge Installed**



**With Cutting Edge Installed**

Copyright © 2004 Douglas Dynamics, L.L.C. All rights reserved. This material may not be reproduced or copied, in whole or in part, in any printed, mechanical, electronic, film or other distribution and storage media, without the written consent of Fisher Engineering. Authorization to photocopy items for internal or personal use by Fisher Engineering outlets or snowplow owner is granted.

Fisher Engineering reserves the right under its product improvement policy to change construction or design details and furnish equipment when so altered without reference to illustrations or specifications used. Fisher Engineering and the vehicle manufacturer may require and/or recommend optional equipment for snow removal. Do not exceed vehicle ratings with a snowplow. Fisher Engineering offers a limited warranty for all snowplows and accessories. See separately printed page for this important information. The following are registered (®) trademarks of Douglas Dynamics, L.L.C.: FISHER®, EZ-V®.