



**Fisher Engineering**

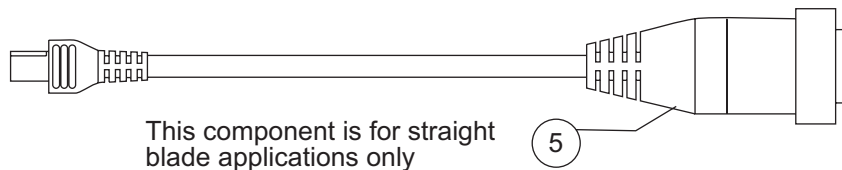
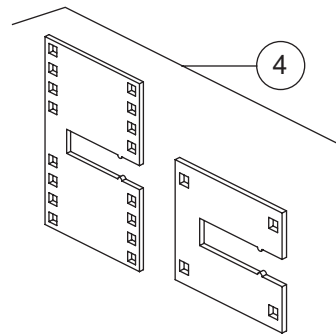
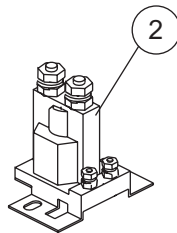
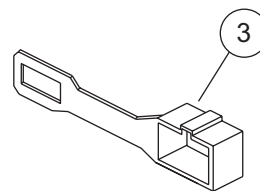
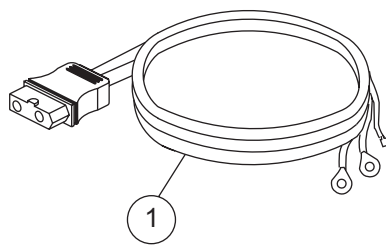
P.O. Box 529 Rockland, Maine 04841

**26705**

November 9, 1999

Lit. No. 26704

# E-Force Isolation Module for Vehicle-Side Installations Parts Lists and Diagrams

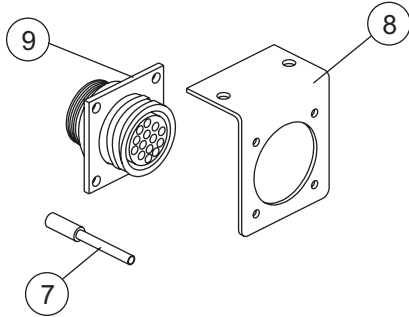


This component is for straight blade applications only

| E-Force Isolation Module On-Truck Wiring Kit – 26705 |        |     |                         |       |        |     |                                     |
|--|--------|-----|-------------------------|-------|--------|-----|-------------------------------------|
| Ref #  | Part # | Qty | Description             | Ref # | Part # | Qty | Description                         |
| ns   | 26346  | 1   | Vehicle Control Harness | 4     | 56526  | 1   | Panel Mount Set                     |
| 1  | 63411  | 1   | Vehicle Cable Assembly  | 5     | 21792K | 1   | EZ-V <sup>®</sup> Adapter Cable Kit |
| ns   | 22511  | 1   | 22" Battery Cable       | -     | 56496  | 1   | EZ-V Connector Bagged Assembly      |
| 2  | 5794K  | 1   | Motor Relay             | -     | 7714   | 1   | Dash Bracket Bag                    |
| 3  | 8291   | 1   | Plug Cover              | ns    | 8737   | 1   | Bolt Bag Assembly                   |

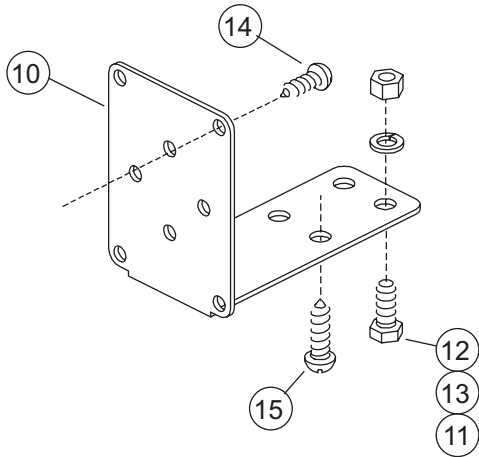
ns = not shown

**EZ-V Connector  
Bagged Assembly – 56496**



| EZ-V® Connector Bagged Assembly – 56496 |        |     |                            |
|---|--------|-----|----------------------------|
| Ref #                                   | Part # | Qty | Description                |
| 7                                       | 66767  | 1   | Pin Removal Tool           |
| 8                                       | 66634  | 1   | Vehicle Harness Bracket    |
| 9                                       | 56497  | 1   | 14-Pin Connector Housing   |
| ns                                      | 80134  | 4   | #6 x 1/4" Tapping Screw    |
| ns                                      | 90597  | 4   | #6 EX Tooth Lock Washer    |
| ns                                      | 5800   | 2   | #8-18 x 5/8" Tapping Screw |
| ns = not shown                          |        |     |                            |

**Dash Bracket Bag – 7714**



| Dash Bracket Bag – 7714 |        |     |                                 |
|-------------------------|--------|-----|---------------------------------|
| Ref #                   | Part # | Qty | Description                     |
| 10                      | 7718   | 1   | Control Bracket                 |
| 11                      | 90461  | 2   | 1/4-20 x 3/4" Hex Cap Screw     |
| 12                      | 90330  | 2   | 1/4-20 Hex Nut                  |
| 13                      | 90359  | 2   | 1/4 Lock Washer                 |
| 14                      | 5800   | 2   | #8-18 x 5/8" Self-Tapping Screw |
| 15                      | 90659  | 4   | #12 x 3/4" Sheet Metal Screw    |
| ns                      | 20274  | 4   | Dual Lock Reclosable Fastener   |
| ns = not shown          |        |     |                                 |

| Bolt Bag Assembly – 8737 |     |                            |        |     |                        |
|--------------------------|-----|----------------------------|--------|-----|------------------------|
| Part #                   | Qty | Description                | Part # | Qty | Description            |
| 5048                     | 1   | 1/4 Fully Insulated Blade  | 91055  | 1   | M6-1.00 x 25 Cap Screw |
| 21306                    | 1   | 0.187 Insulated Receptacle | 91056  | 1   | M6-1.00 Nut            |
| 21307                    | 1   | 0.250 Insulated Receptacle | 91057  | 1   | M6 Flat Washer         |
| 21308                    | 1   | Fuse Tap – 0.250 Tab       | 90311  | 2   | 1/4 Flat Washer        |
| 21309                    | 1   | Fuse Tap – 0.187 Tab       | 90360  | 2   | 5/16 Lock Washer       |
| 66130                    | 1   | Rubber Grommet             | 90657  | 2   | #10 Lock Washer        |
| 90350                    | 2   | 1/4-20 Locknut             | 90673  | 2   | #10 Nut                |
| 90461                    | 2   | 1/4-20 x 3/4" Cap Screw    | 90333  | 2   | 5/16-24 Jam Nut        |

Copyright © 1999 Douglas Dynamics, L.L.C. All rights reserved. This material may not be reproduced or copied, in whole or in part, in any printed, mechanical, electronic, film or other distribution and storage media, without the written consent of Fisher Engineering. Authorization to photocopy items for internal or personal use by Fisher Engineering outlets is granted.

Fisher Engineering reserves the right under its product improvement policy to change construction or design details and furnish equipment when so altered without reference to illustrations or specifications used herein. Fisher Engineering and the vehicle manufacturer may require and/or recommend optional equipment for snow removal. Fisher Engineering offers a limited warranty for all snowplows and accessories. See separately printed page for this important information. The following are registered (®) trademarks of Douglas Dynamics, L.L.C.: FISHER®, EZ-V®

Printed in USA