

1213-1

MOUNT KIT PERSONAL PLOW

Ford Explorer 4-Door

2002 - 05

Installation Instructions

⚠ CAUTION

Read this document before installing the snowplow.

⚠ CAUTION

See your sales outlet/website for specific vehicle application recommendations before installation. The online selection system has specific vehicle and snowplow requirements.

SAFETY DEFINITIONS

⚠ WARNING
 Indicates a potentially hazardous situation that, if not avoided, could result in death or serious personal injury.

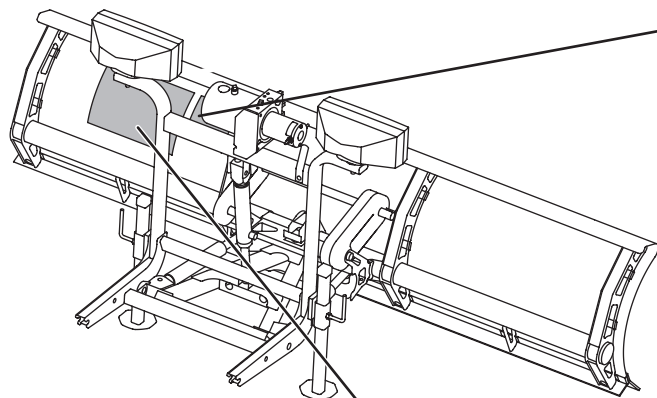
⚠ CAUTION
 Indicates a potentially hazardous situation that, if not avoided, may result in minor or moderate injury. It may also be used to alert against unsafe practices.

NOTE: Indicates a situation or action that can lead to damage to your snowplow and vehicle or other property. Other useful information can also be described.

WARNING/CAUTION & INSTRUCTION LABELS

Become familiar with and inform users about the warning/caution and instruction labels on the back of the blade.

NOTE: If labels are missing or cannot be read, see your sales outlet.



Warning/Caution Label

| | |
|------------------|---|
| ⚠ WARNING | |
| | Lower blade when vehicle is parked. |
| | Do not exceed GVWR or GAWR including blade and ballast. |
| ⚠ CAUTION | |
| | Read Owner's Manual before operating or servicing snowplow. |
| | Transport speed should not exceed 45 mph (72 km/h). Further reduce speed under adverse travel conditions. |
| | Plowing speed should not exceed 10 mph (16 km/h). |
| | See your sales outlet/Web site for specific vehicle application recommendations. |

Instruction Label

This snowplow is for personal/homeowner use only.

| | |
|--|---|
| <p>ATTACH INSTRUCTIONS</p> <ol style="list-style-type: none"> 1. Make certain both connecting pins are fully retracted. 2. Drive vehicle slowly to completely insert attachment arms into receiver assembly slots. | <ol style="list-style-type: none"> 3. Twist both connecting pins to release spring tension, then push plow gear toward vehicle so connecting pins fully engage holes in attachment arms. 4. Loosen one jack handle and slide jack sleeve down below jack retainer. Remove jack and retighten jack handle. Repeat for other jack and store them. 5. Connect all electrical cables from vehicle to snowplow. |
| | |
| <ol style="list-style-type: none"> 5. Back vehicle away from snowplow. 6. See Owner's Manual for proper snowplow storage. | <p>DETACH INSTRUCTIONS</p> <ol style="list-style-type: none"> 1. Put blade on ground using LOWER/FLOAT on snowplow control. Leave control ON and in FLOAT. 2. Attach jacks. Loosen jack handle, put jack on ground, and raise jack sleeve until fully engaging jack retainer. Tighten jack handle. Repeat for other jack. 4. Disconnect all electrical cables. <p><small>Read Owner's Manual for complete instructions.</small></p> |

U.S. patents 6,253,470; 6,941,685; 7,400,058; 7,737,576; and other patents pending.

SAFETY PRECAUTIONS

Improper installation and operation could cause personal injury and/or equipment and property damage. Read and understand labels and the Owner's Manual before installing, operating or making adjustments.

⚠ WARNING

Lower the blade when vehicle is parked. Temperature changes could change hydraulic pressure, causing the blade to drop unexpectedly or damaging hydraulic components. Failure to do this could result in serious personal injury.

⚠ WARNING

The driver shall keep bystanders clear of the blade when it is being raised, lowered or angled. Do not stand between the vehicle and the blade or within 8 feet of a moving blade. A moving or falling blade could cause personal injury.

⚠ WARNING

Keep hands and feet clear of the blade and A-frame when mounting or removing the snowplow. Moving or falling assemblies could cause personal injury.

⚠ WARNING

Do not exceed GVWR or GAWR including the blade and ballast. The rating label is found on the driver-side vehicle door cornerpost.

⚠ WARNING

To prevent accidental movement of the blade, always turn the control OFF whenever the snowplow is not in use. The power indicator light will turn OFF.

⚠ WARNING

Remove blade assembly before placing vehicle on hoist.

⚠ CAUTION

Refer to the online selection system for minimum vehicle recommendations and ballast requirements.

PERSONAL SAFETY

- Remove the ignition key and put the vehicle in park or in gear to prevent others from starting the vehicle during installation or service.
- Wear only snug-fitting clothing while working on your vehicle or snowplow.
- Do not wear jewelry or a necktie, and secure long hair.
- Wear safety goggles to protect your eyes from battery acid, gasoline, dirt and dust.
- Avoid touching hot surfaces such as the engine, radiator, hoses and exhaust pipes.
- Always have a fire extinguisher rated BC handy, for flammable liquids and electrical fires.

FIRE AND EXPLOSION

⚠ WARNING

Gasoline is highly flammable and gasoline vapor is explosive. Never smoke while working on vehicle. Keep all open flames away from gasoline tank and lines. Wipe up any spilled gasoline immediately.

Be careful when using gasoline. Do not use gasoline to clean parts. Store only in approved containers away from sources of heat or flame.

CELL PHONES

A driver's first responsibility is the safe operation of the vehicle. The most important thing you can do to prevent a crash is to avoid distractions and pay attention to the road. Wait until it is safe to operate Mobile Communication Equipment such as cell phones, text messaging devices, pagers or two-way radios.

VENTILATION

⚠ WARNING

Vehicle exhaust contains lethal fumes. Breathing these fumes, even in low concentrations, can cause death. Never operate a vehicle in an enclosed area without venting exhaust to the outside.

NOISE

Airborne noise emission during use is below 70 dB(A) for the snowplow operator.

VIBRATION

Operating snowplow vibration does not exceed 2.5 m/s² to the hand-arm or 0.5 m/s² to the whole body.

TORQUE CHART

⚠ CAUTION

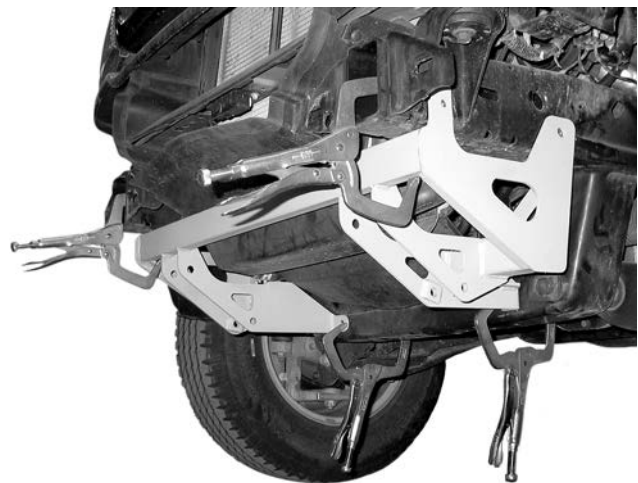
Read instructions before assembling. Fasteners should be finger tight until instructed to tighten according to the torque chart. Use standard methods and practices when attaching snowplow, including proper personal protective safety equipment.

| Recommended Fastener Torque Chart | | | | | |
|--|----------------|------------|------------|----------------|------------|
| Inch Fasteners Grade 5 and Grade 8 | | | | | |
| Size | Torque (ft-lb) | | Size | Torque (ft-lb) | |
| | Grade 5 | Grade 8 | | Grade 5 | Grade 8 |
| 1/4-20 | 8.4 | 11.9 | 9/16-12 | 109 | 154 |
| 1/4-28 | 9.7 | 13.7 | 9/16-18 | 121 | 171 |
| 5/16-18 | 17.4 | 24.6 | 5/8-11 | 150 | 212 |
| 5/16-24 | 19.2 | 27.3 | 5/8-18 | 170 | 240 |
| 3/8-16 | 30.8 | 43.6 | 3/4-10 | 269 | 376 |
| 3/8-24 | 35.0 | 49.4 | 3/4-16 | 297 | 420 |
| 7/16-14 | 49.4 | 69.8 | 7/8-9 | 429 | 606 |
| 7/16-20 | 55.2 | 77.9 | 7/8-14 | 474 | 669 |
| 1/2-13 | 75.3 | 106.4 | 1-8 | 644 | 909 |
| 1/2-20 | 85.0 | 120.0 | 1-12 | 704 | 995 |
| Metric Fasteners Class 8.8 and 10.9 | | | | | |
| Size | Torque (ft-lb) | | Size | Torque (ft-lb) | |
| | Class 8.8 | Class 10.9 | | Class 8.8 | Class 10.9 |
| M6 x 1.00 | 7.7 | 11.1 | M20 x 2.50 | 325 | 450 |
| M8 x 1.25 | 19.5 | 26.9 | M22 x 2.50 | 428 | 613 |
| M10 x 1.50 | 38.5 | 53.3 | M24 x 3.00 | 562 | 778 |
| M12 x 1.75 | 67 | 93 | M27 x 3.00 | 796 | 1139 |
| M14 x 2.00 | 107 | 148 | M30 x 3.50 | 1117 | 1545 |
| M16 x 2.00 | 167 | 231 | M33 x 3.50 | 1468 | 2101 |
| M18 x 2.50 | 222 | 318 | M36 x 4.00 | 1952 | 2701 |
| These torque values apply to fasteners except those noted in the instructions. | | | | | |

INSTALLATION INSTRUCTIONS

NOTE: For easier assembly and installation, vehicle and all snowplow components should be on a smooth, level, hard surface, such as concrete.

1. Remove both the bumper and the bumper support. Retain the fasteners. If applicable, remove tow hooks. The tow hooks cannot be used with the mounts installed. Retain tow hooks and fasteners for reinstallation if snowplow is removed.
2. Align the sides of the mount between the edges of the body brackets as shown. Push the mount tight to the bottom of the frame in the front and rear and tight to frame front cross member at the rear of the mount using clamps or a floor jack.

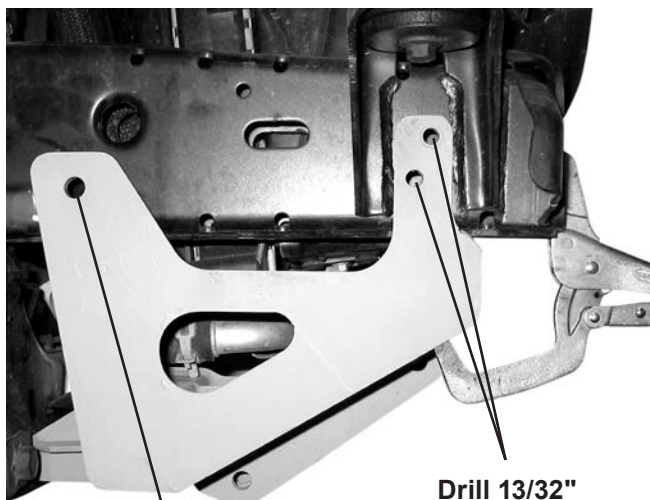


- Using the holes in the mount as guides, drill two $17/32$ " holes into the frame front cross member.



Drill $17/32$ " holes.

- Insert the two $1/2$ " x $1-1/4$ " cap screws with the shorter handles into the frame front cross member, and pass them out through the holes in the cross member and mount. Place $1/2$ " locknuts on the fasteners, and fully tighten according to the torque chart.
- Using the holes on both sides of the mount as guides, drill four $13/32$ " holes in the front of the truck frame and two $17/32$ " holes in the rear.



Drill $17/32$ " holes.

Drill $13/32$ " holes.

- Take two $3/8$ " cap screws, and place a $3/8$ " washer on each one. On the passenger side, starting from the inside of the truck frame, insert the two cap screws through the frame and the two forward holes in the side of the mount. Place a $3/8$ " locknut on each cap screw, and hand tighten.
- Place a $1/2$ " washer onto a $1/2$ " x $1-1/4$ " cap screws with the longer handle, and insert the bolt into the truck frame. Pass the cap screw out through the hole in the frame and the rearward hole in the side of the mount. Place a $1/2$ " locknut on the fastener, and hand tighten.
- Repeat Steps 6 and 7 on the driver's side of the truck.
- Tighten all fasteners according to the torque chart.
- Bend or cut the ends of any fastener handles protruding out from the truck frame to improve appearance and to prevent contact with the bumper. Ensure adequate clearance between all mounting structures and any hoses.
- Reinstall the bumper support and tighten the fasteners prior to installation of the bumper and splash panels.

NOTE: After five to ten hours of snowplow usage, retorque all mount assembly fasteners.

The company reserves the right under its product improvement policy to change construction or design details and furnish equipment when so altered without reference to illustrations or specifications used. This equipment manufacturer or the vehicle manufacturer may require or recommend optional equipment for snow removal. Do not exceed vehicle ratings with a snowplow. The company offers a limited warranty for all snowplows and accessories. See separately printed page for this important information.

Printed in U.S.A.
