



**Fisher Engineering**

P.O. Box 529 Rockland, Maine 04841

**27777 RD/HD/X  
28900 X**

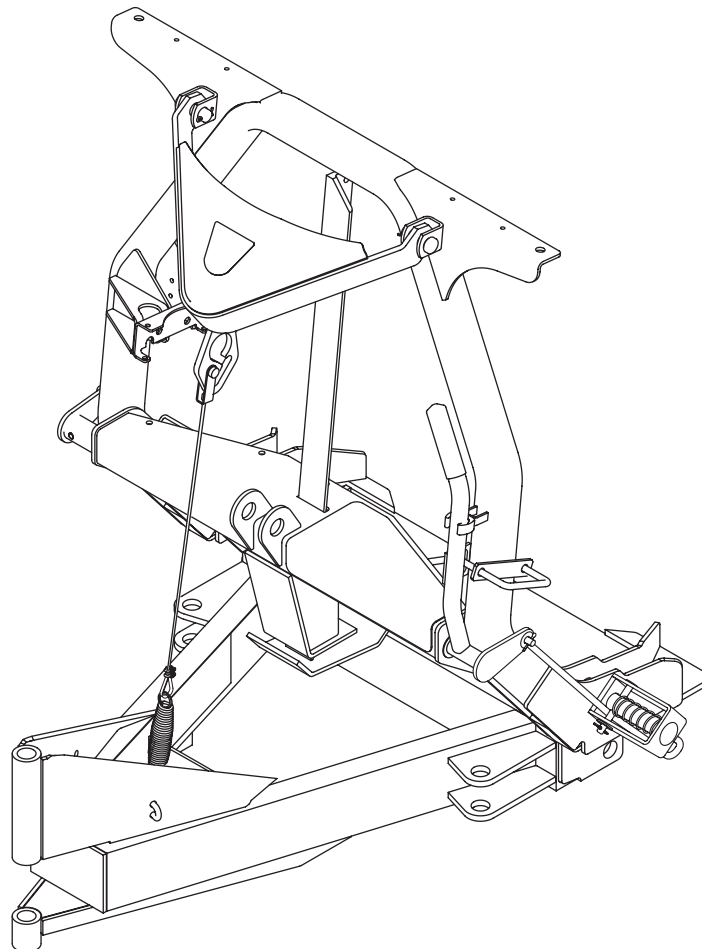
July 1, 2005  
Lit. No. 27475, Rev. 08



# COMMON ATTACHMENT KIT

## RD/HD/X Series

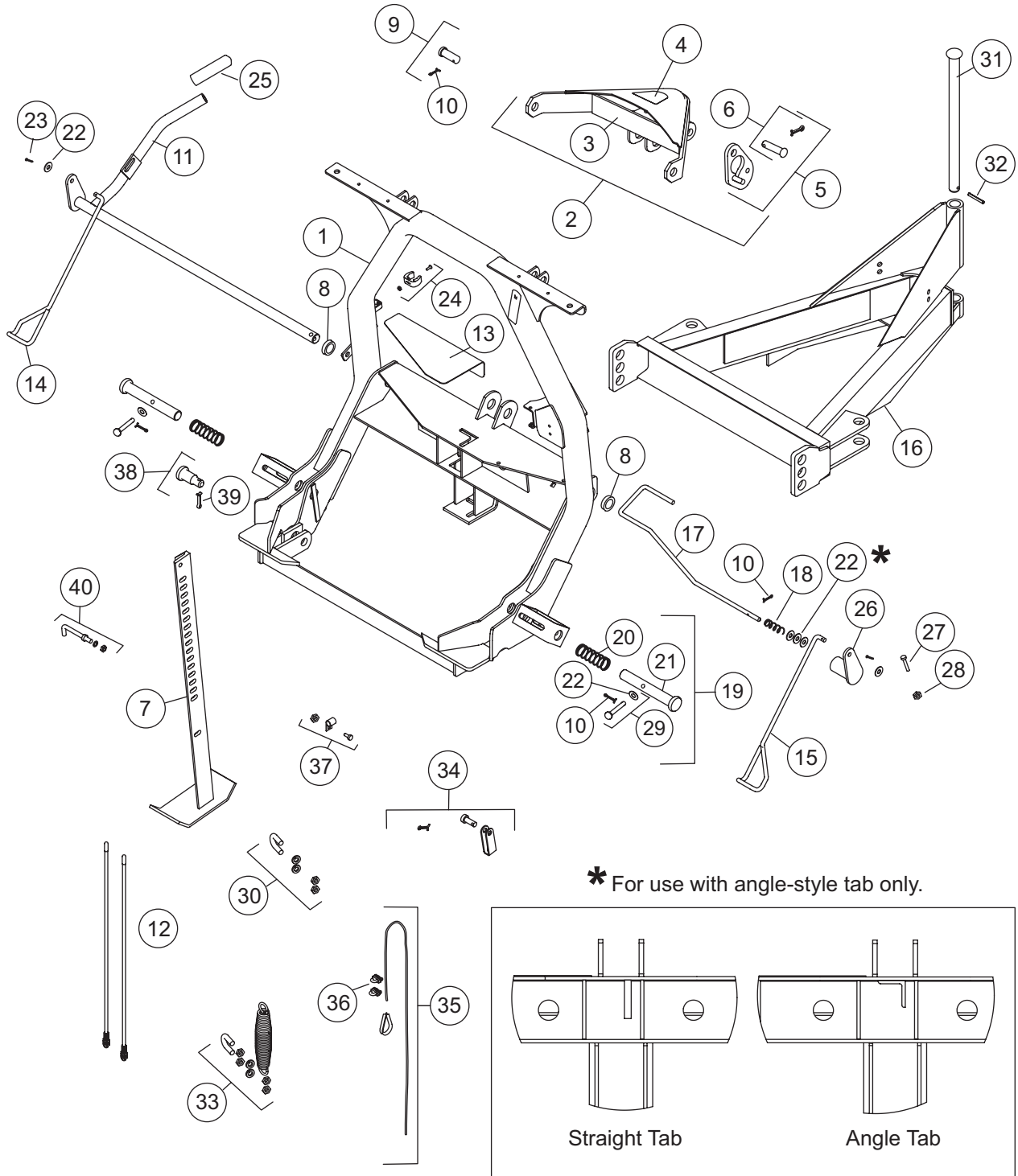
### Parts List



**27777 RD/HD/X  
28900 X**

**Minute Mount® 2 SYSTEM**

**Exploded View – Rear**



<b>27777, 28900 Common Attachment Kits</b>			
<b>Item</b>	<b>Part</b>	<b>Qty</b>	<b>Description</b>
1	27454	1	Headgear
2	26757-1	1	Lift Arm Kit – Yellow
	27560-1	1	Lift Arm Kit – Silver
3	28993	1	Lift Arm – Yellow
	28994	1	Lift Arm – Silver
4	26777	1	Nameplate Decal, MM2
5	28991	1	Stop Link Kit
6	29037	1	Clevis Pin w/Cotter
7	27462	1	Jack
8	27163K	1	Bushing Kit (2 bushings)
9	4289K	2	3/4 x 1-7/8 Machine Pin Packet
10	90658	5	5/32 x 1-1/4 Cotter Pin
11	27468	1	Handle-Link Arm Assembly
12	7906K	1	Packet – Blade Guide Set
13	27451	1	Label, MM2 Headgear
14	27166K	1	Wire Cam Kit – DS
15	27167K	1	Wire Cam Kit – PS
16	27598	1	A-Frame Kit – RD/HD/X
17	27478	1	Jack Lock
18	27461	1	Compression Spring, 3/4 OD x 3-1/2
19	27168K	2	Connecting Pin Kit
20	821	2	Compression Spring, 1 ID x 3-1/2
21	26833	2	1 OD x 6-15/16 Pin
22	90315	7	3/8 Flat Washer
23	91902	1	1/8 x 1 Cotter Pin
24	27162K	1	Stop Clip Kit
25	27535	1	Handle Cover Kit
26	27465	1	Link Arm
27	90043	1	3/8-16 x 2 Hex Cap Screw G5
28	91333	1	3/8-16 Hex Locknut GB
29	26219	2	Clevis Pin Kit
ns	26088	1	Bolt Bag – A-Frame Kit RD/HD/X
ns	27472	1	Bolt Bag for 27777 & 28900
ns	26999	1	Chain Bag – Common Attachments RD/HD/X
<b>26088 Bolt Bag – A-Frame Kit RD/HD/X</b>			
30	A6148K	2	Packet – U-Bolt Assembly
31	26060	1	1 OD x 16 Pivot Pin
32	26463	1	1/4 x 2 Slotted Spring Pin
<b>27472 Bolt Bag for 27777 &amp; 28900</b>			
33	27534	1	Spring / U-Bolt Kit
34	27171K	1	Clevis Kit
35	27169K	1	Cable Kit
36	27075	2	1/8 Wire Rope Clip
37	27172K	2	Clamp Loop Kit
38	27177K	2	Step Pin Kit
39	90601	2	1/4 x 1-1/4 Cotter Pin
40	27164K	1	Handle Kit
ns = not shown			

**27777 RD/HD/X**  
**28900 X**

---

Copyright © 2005 Douglas Dynamics, L.L.C. All rights reserved. This material may not be reproduced or copied, in whole or in part, in any printed, mechanical, electronic, film or other distribution and storage media, without the written consent of Fisher Engineering. Authorization to photocopy items for internal or personal use by Fisher Engineering outlets or snowplow owner is granted.

Fisher Engineering reserves the right under its product improvement policy to change construction or design details and furnish equipment when so altered without reference to illustrations or specifications used. Fisher Engineering and the vehicle manufacturer may require and/or recommend optional equipment for snow removal. Do not exceed vehicle ratings with a snowplow. Fisher Engineering offers a limited warranty for all snowplows and accessories. See separately printed page for this important information. The following are registered (®) trademarks of Douglas Dynamics, L.L.C.: FISHER®, Minute Mount® 2.

**Printed in U.S.A.**