

Table of Contents

Parts Box	2
Hose Routing	2
Ram Components	3
Hydraulic Unit and Back-Up / O-Ring Kit Parts Lists	4
Bolt Bag Parts Lists	6
Harness Wiring Diagram.....	7

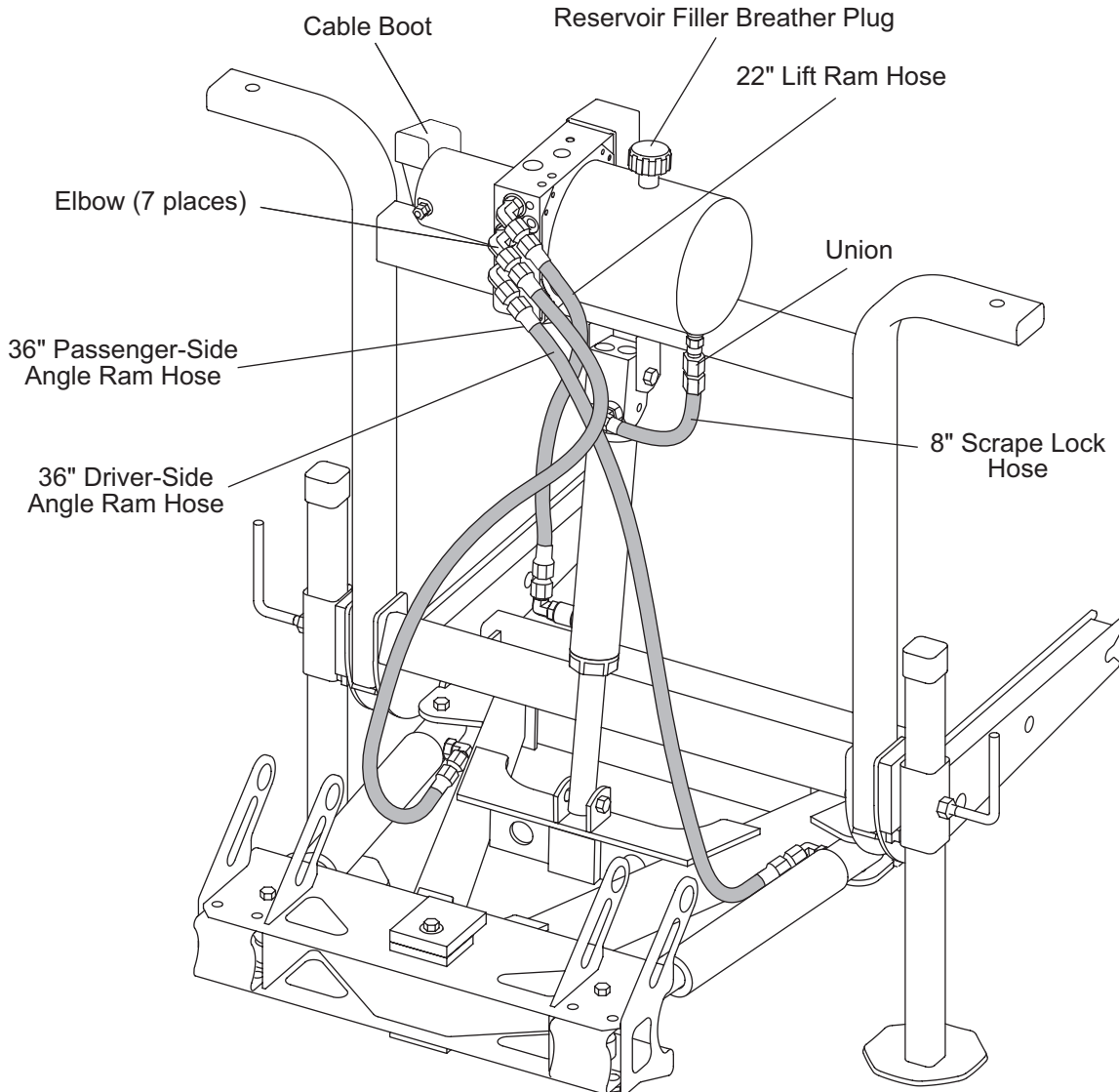
Hydraulic Kit Parts List

27517 Hydraulic Kit		
Part	Qty	Description
56807F	1	Hydraulic Unit Assembly
27204K	1	1.5 x 6 Double-Acting Ram Assembly
56772K	2	1 x 7 Ram Assembly
27521	1	Parts Box
66525	1	Reservoir Filler Breather Plug
21294	1	Plow Battery Cable
63411	1	Vehicle Battery Cable
26359	1	Plow Control Harness 3-Pin
26345	1	Vehicle Control Harness 3-Pin
8291K	1	Plug Cover Kit

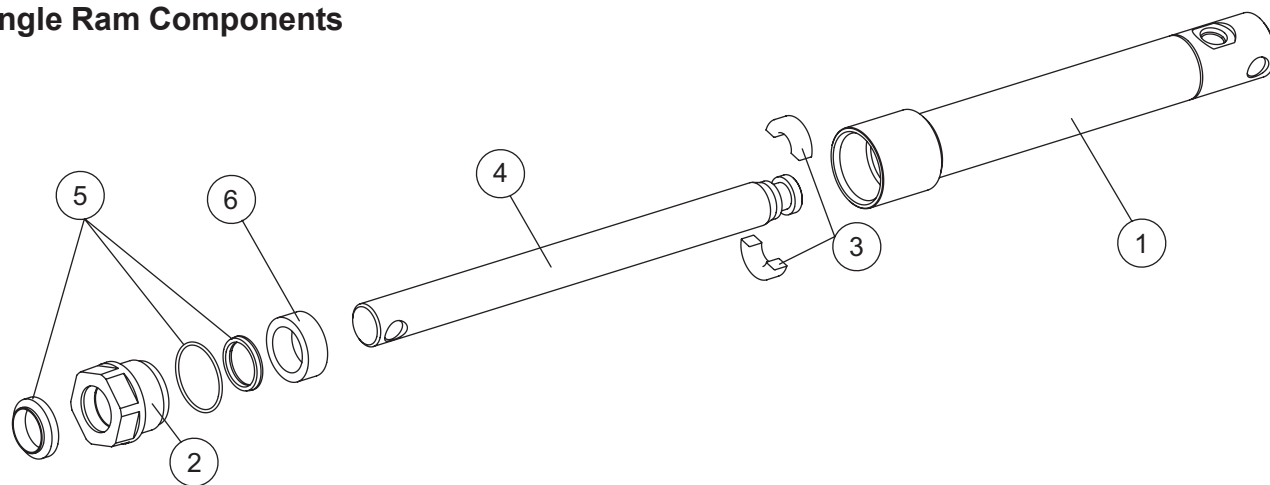
Parts Box Parts List

27521 Parts Box		
Part	Qty	Description
56598	1	1/4 x 22 Hose (FJIC Ends)
56599	2	1/4 x 36 Hose (FJIC Ends)
56765	1	1/4 x 8 Hose (FJIC Ends)
22511	1	Battery Cable 22" Red
5794K	1	Relay Switch
8284K	1	Cable Boot
8737	1	Small Bolt Bag
27522	1	Personal Plow Hydraulic Bolt Bag

Hose Routing

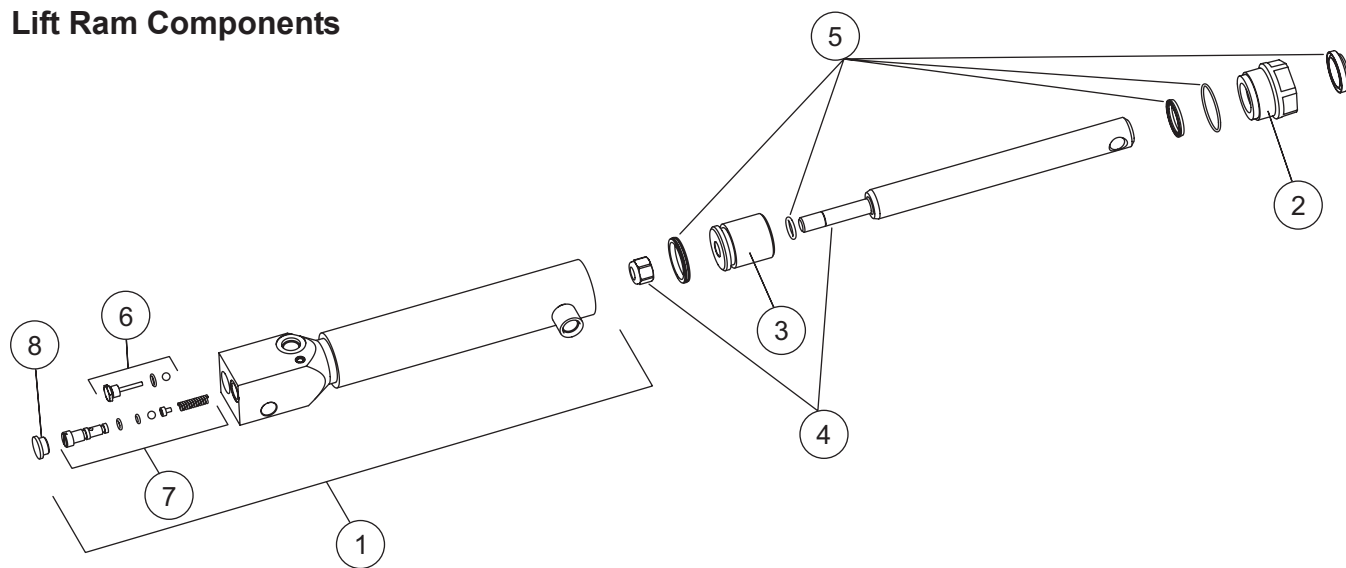


Angle Ram Components



56772K 1 x 7 Ram Assembly							
Item	Part	Qty	Description	Item	Part	Qty	Description
1	56769	1	1 x 7 Cylinder	4	27786	1	1 x 7 Ram Rod Kit
2	66699K	1	Gland Nut	5	27787	1	1 Bore Ram Seal Kit
3	56771F	1	1" Split Bearing Kit	6	56803	1	Spacer

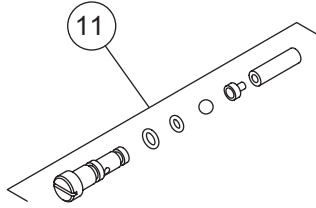
Lift Ram Components



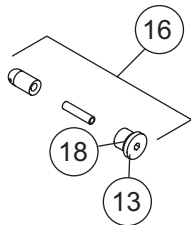
27204K 1.5 x 6 Double-Acting Ram Assembly							
Item	Part	Qty	Description	Item	Part	Qty	Description
1	27205	1	1.5 x 6 Double-Acting Cylinder Assembly	5	27788	1	1-1/2 Bore Double-Acting Ram Seal Kit
2	66699K	1	Gland Nut	6	27791	1	Check Valve Repair Kit - Set
3	56826K	1	1.5 Piston	7	27792	1	Cushion Valve Repair Kit - Set
4	27790	1	1.5 x 6 Double-Acting Rod Assembly Kit	8	56808	1	Plug

Hydraulic Unit Parts List

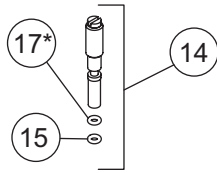
Assembly A
Cushion Valve Kit



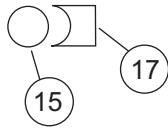
Assembly B
Bypass Check Valve Assembly



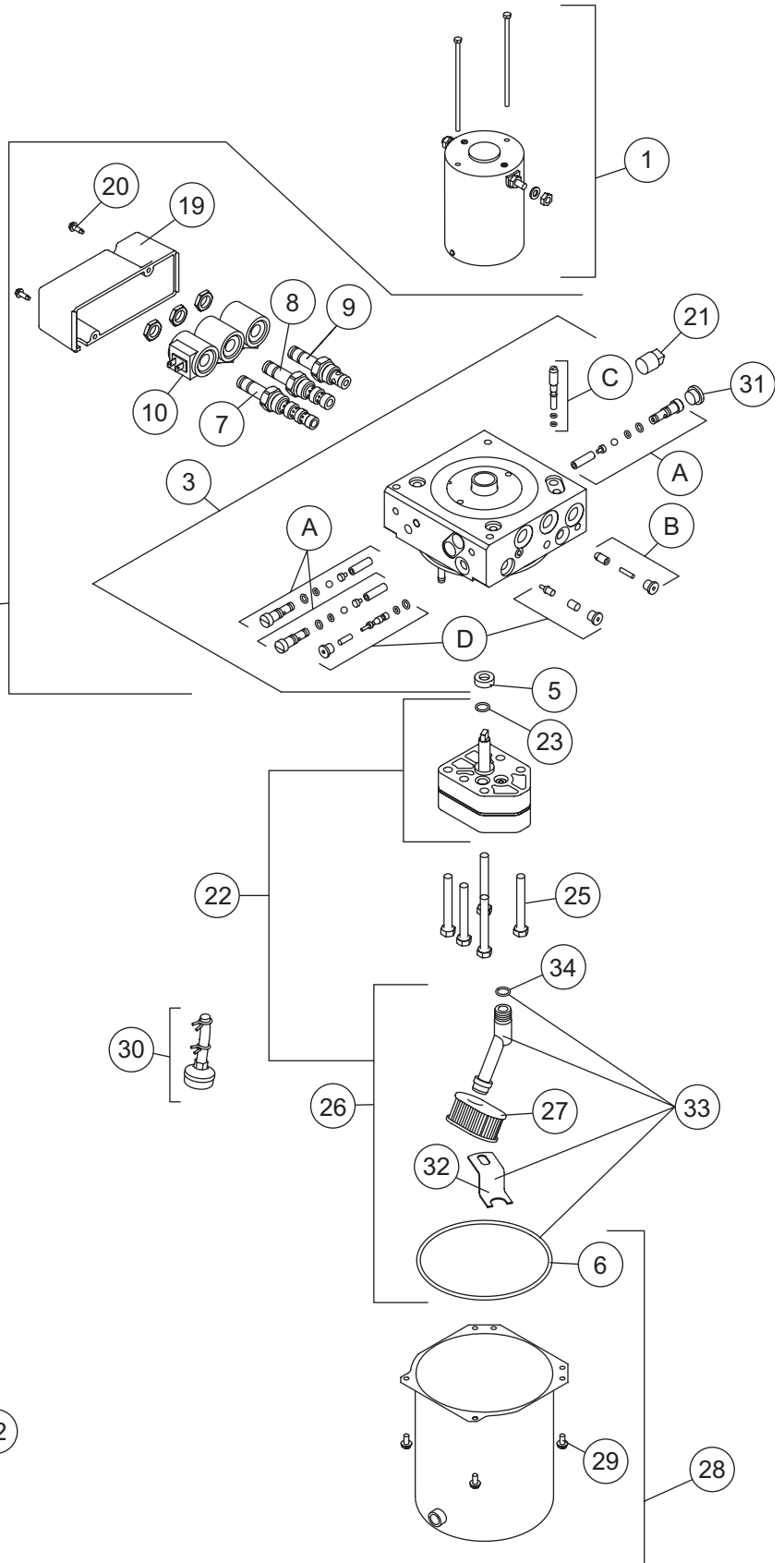
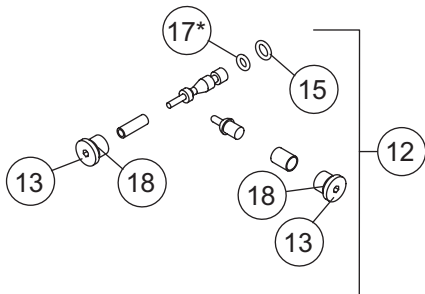
Assembly C
Quill Assembly



* Concave side towards O-ring



Assembly D
Poppet Check Valve Kit



56807F Hydraulic Unit						
Item	Part	Qty	Description	Item	Part	Qty Description
1	27753	1	Motor Assembly	20	90650	2 Cover Screw
2	27752	1	Valve Manifold Assembly	21	92079	1 Square Plug 3/8 NPTF
3	27747	1	Manifold Assembly	22	27746	1 Hyd Pump Kit
5	66515	1	Pump Shaft Seal	23	56274	1 O-Ring – 013
6	66519	1	O-Ring 2-250	25	90073	5 5/16-18 x 2-1/4 Hex Cap Screw G5
7	7637K	1	Cartridge 40 with Jam Nut	26	27748	1 Inlet Fitting/Filter Kit
8	66608K	1	Cartridge 31 with Jam Nut	27	26781	1 Suction Filter
9	7634K	1	Cartridge 20 with Jam Nut	28	27758	1 Reservoir Kit
10	7639K	3	Coil with Spade Terminals	29	66607	4 #10-24 x 5/16 Machine Screw
11	7629K	3	Cushion Valve Repair Kit – Set	30	66405	1 Return Screen Assembly
12	64508	1	Poppet Check Valve Kit	31	56808	1 Plug
13	7625	3	3/8-24 Hex Socket O-Ring Boss Plug	32	–	1 Retainer Clip
14	56662	1	Quill Assy – Partial Thread	33	28479	1 Inlet Fitting Kit
15	25622	1	O-Ring – 006	34	56416	1 O-Ring – 014
16	56507	1	Bypass Check Valve Kit	ns	7632K	1 Back-Up / O-Ring Kit
17	56315	1	Back-Up Ring – 006 Parbak Split	ns	7635	1 Seal Kit – Cartridge 20
18	26784	4	O-Ring – 903	ns	7638	1 Seal Kit – Cartridge 30,31,33,40, & 43
19	21394	1	Cover Assembly			

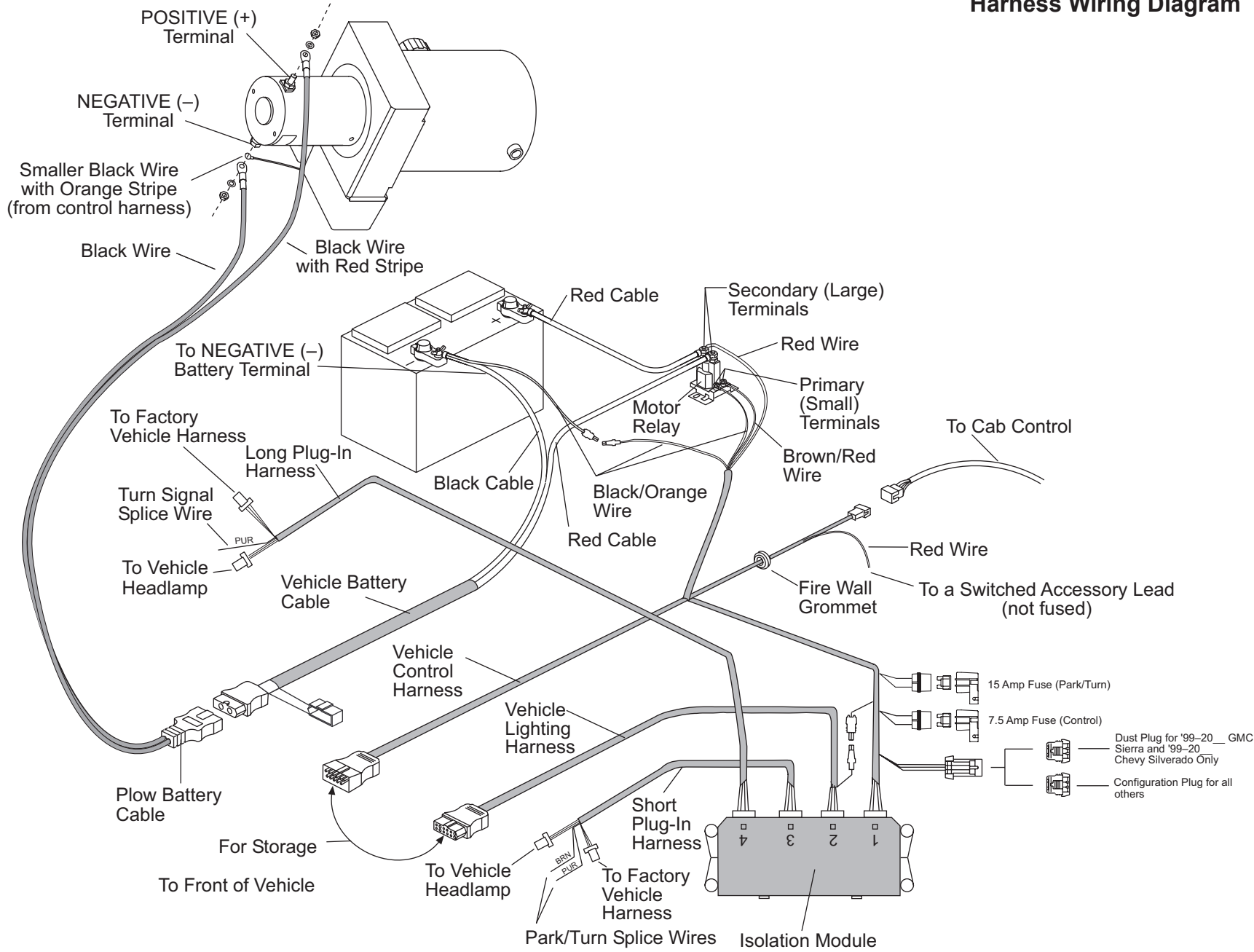
ns = not shown G = grade

7632K Back-Up / O-Ring Kit		
Part	Qty	Description
56416	1	O-Ring – 014
56274	1	O-Ring – 013
25730	2	O-Ring – 012
66627	4	O-Ring – 011
25731	9	O-Ring – 010
55371	5	O-Ring – 008, 90 Durometer
25622	2	O-Ring – 006
66628	4	Backup Ring – 008
56315	2	Backup Ring – 006
66519	1	O-Ring 2-250
26784	4	O-Ring – 903
56569	4	O-Ring – 906

27522 Personal Plow Hydraulic Bolt Bag*		
Part	Qty	Description
56725	7	O-Ring (male) to MJIC 90° Elbow
56684	1	Flare (male) to 1/4 NPTF (male) Union
27524	2	1/2-13 x 4 Hex Cap Screw G8
27525	3	1/2-13 x 3 Hex Cap Screw G8
27526	1	1/2-13 x 2-1/2 Hex Cap Screw G8
91335	6	1/2-13 Hex Lock Nut GB
90010	2	1/4-20 x 2-3/4 Hex Cap Screw G5
8329K	1	Dielectric Grease Tube
3666	4	Cable Tie
61536	7	Long Cable Tie
91331	2	1/4-20 Hex Lock Nut GB
8737 Small Bolt Bag*		
5048	1	1/4 Fully-Insulated Blade
21306	1	.187 Insulated Receptacle
21307	1	.250 Insulated Receptacle
21308	1	.250 Tab Fuse Tap
21309	1	.187 Tab Fuse Tap
66130	1	Rubber Grommet
91331	2	1/4-20 Hex Lock Nut GB
90461	2	1/4-20 x 3/4 Hex Cap Screw G5
91055	1	M6 x 1 x 25 Hex Cap Screw G8.8
91056	1	M6 x 1 Hex Nut G10
91057	1	M6 Flat Washer
90311	2	1/4 Flat Washer
91202	2	5/16 Spring Lock Washer
91242	2	10 Spring Lock Washer
91402	2	10-32 Hex Machine Screw Nut
92842	2	5/16-24 Hex Jam Nut G5

* found in 27521 Parts Box

Harness Wiring Diagram



Lit. No. 27565

7

January 5, 2004

27517

Copyright © 2004 Douglas Dynamics, L.L.C. All rights reserved. This material may not be reproduced or copied, in whole or in part, in any printed, mechanical, electronic, film or other distribution and storage media, without the written consent of Fisher Engineering. Authorization to photocopy items for internal or personal use by Fisher Engineering outlets or snowplow owner is granted.

Fisher Engineering reserves the right under its product improvement policy to change construction or design details and furnish equipment when so altered without reference to illustrations or specifications used. Fisher Engineering and the vehicle manufacturer may require and/or recommend optional equipment for snow removal. Do not exceed vehicle ratings with a snowplow. Fisher Engineering offers a limited warranty for all snowplows and accessories. See separately printed page for this important information. The following are registered (®) and unregistered (™) trademarks of Douglas Dynamics, L.L.C.: FISHER®, Homesteader™.

Printed in U.S.A.