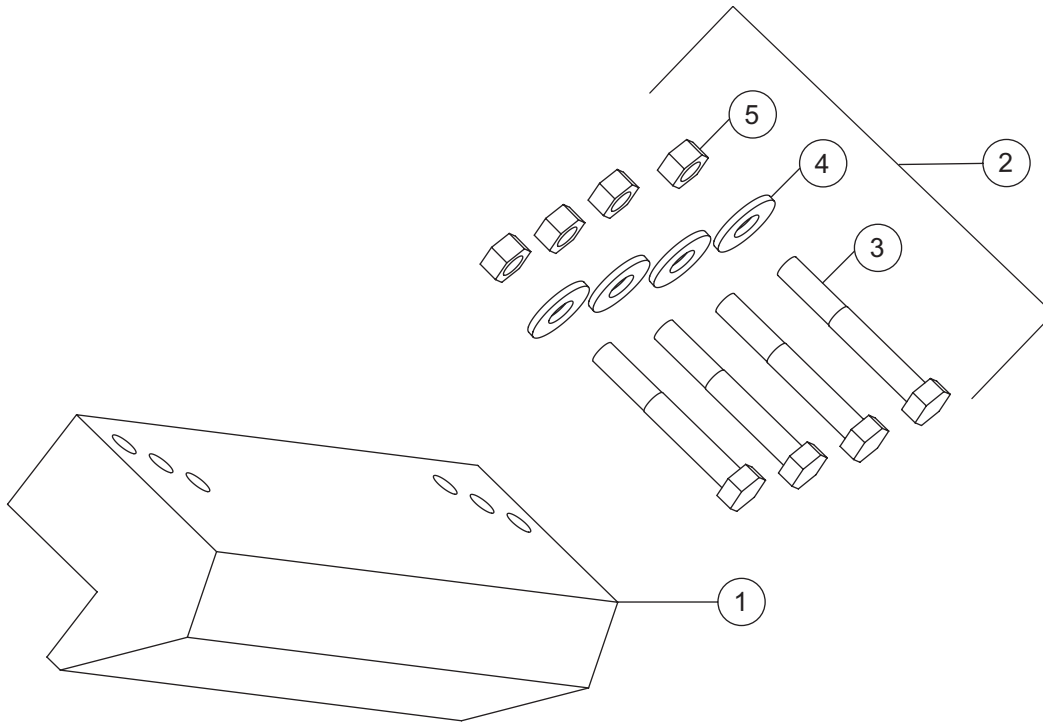


PARTS LIST AND DIAGRAM

December 1, 2002
Lit. No. 27794



27710 Poly Shoe Kit – Personal Plow			
Item	Part	Qty	Description
1	27625	2	Poly Blade Shoe
2	27793	1	Bolt Bag
3	90073	4	5/16-18 x 2-1/4 Hex Cap Screw G5
4	90313	4	5/16 Flat Washer
5	91332	4	5/16-18 Hex Locknut GB

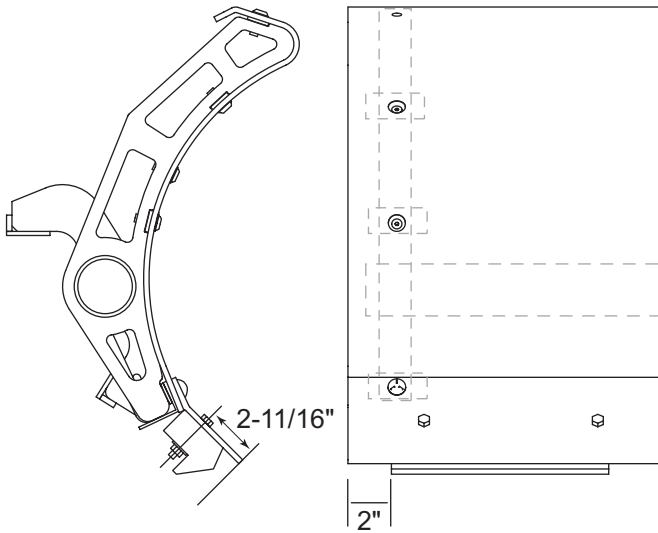
⚠ WARNING
Do not exceed GVWR or GAWR, including blade and ballast. The rating label is found on the driver-side vehicle door cornerpost.

⚠ CAUTION
Use standard methods and practices when attaching snowplow, including wearing proper safety equipment.

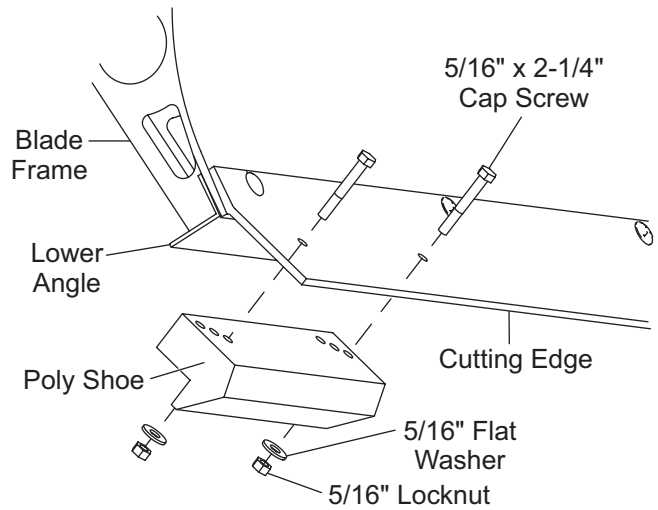
⚠ CAUTION
See your sales outlet for application recommendations. The Kit Selection Guide/ Selection List has specific vehicle and snowplow requirements.

INSTALLATION INSTRUCTIONS

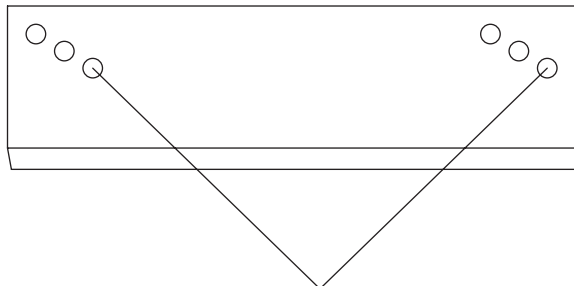
- Using jack stands, support blade off the ground.
- Place shoe behind cutting edge approximately 2" from end of blade and slide up to contact lower angle of blade frame.



- Mount shoe to desired height as shown in the following diagram. Shoe height is adjusted by mounting through the next higher set of holes. Secure with two 5/16" x 2-1/4" cap screws, 5/16" washers, and locknuts.



- Using the lowest set of holes in the shoe as a guide, drill two 11/32" diameter holes on each end of the blade.



Drill two 11/32" dia. holes using these holes as a guide.

Copyright © 2002 Douglas Dynamics, L.L.C. All rights reserved. This material may not be reproduced or copied, in whole or in part, in any printed, mechanical, electronic, film or other distribution and storage media, without the written consent of the company. Authorization to photocopy items for internal or personal use by the company's outlets is granted.

The company reserves the right under its product improvement policy to change construction or design details and furnish equipment when so altered without reference to illustrations or specifications used herein. The company and the vehicle manufacturer may require and/or recommend optional equipment for snow removal. The company offers a limited warranty on all snowplows and accessories. See separately printed page for this important information.