



# FISHER® Snowplows w/4-Port Isolation Module

## Kit Selection Guide 2003 Model Year



May 1, 2006  
Lit. No. 27952  
Rev. 07

Fisher Engineering  
P.O. Box 529  
Rockland, Maine 04841

This document supersedes all editions with an earlier date.

\*\* THIS IS THE FINAL 2003 KIT SELECTION GUIDE FOR USE WITH THE 4-PORT ISOLATION MODULE ELECTRICAL SYSTEM.  
NO FURTHER UPDATES WILL BE PROVIDED FOR THIS GUIDE. \*\*

## Table of Contents

<b>General Information .....</b>	<b>3</b>	<b>Mitsubishi Attachment Kits .....</b>	<b>22</b>
<b>Selection Example .....</b>	<b>4</b>	<b>International Attachment Kits .....</b>	<b>24</b>
<b>General Motors Attachment Kits .....</b>	<b>5</b>	<b>Headlamp Reference Guide .....</b>	<b>25</b>
<b>Ford Attachment Kits .....</b>	<b>10</b>	<b>Snowplow Component Weights .....</b>	<b>26</b>
<b>Dodge Attachment Kits .....</b>	<b>16</b>	<b>Snowplow Weight Calculation .....</b>	<b>27</b>
<b>Jeep Attachment Kits .....</b>	<b>19</b>	<b>Ballast Inquiry Sheet .....</b>	<b>28</b>
<b>Mazda Attachment Kits .....</b>	<b>20</b>	<b>Footnote Key .....</b>	<b>29</b>
<b>Toyota Attachment Kits .....</b>	<b>21</b>		

Abbreviation Key			
(2L)	Two-Lamp Light System	KSG	Kit Selection Guide
(4L)	Four-Lamp Light System	LD	Light Duty
2WD	Two Wheel Drive	M/C	Municipal / Commercial
4WS	Four Wheel Steering (Option Code NYS)	MM	Minute Mount® System
ABS	Anti-Locking Braking System	MM2	Minute Mount® 2 System
AC	Air Conditioning	MS	Mild Steel
ALT	Alternator	PEC	Peculiar
AT	Automatic Transmission	RD	Regular Duty
Cg	Center of Gravity	SEHP	Solenoid Electric Hydraulic Pak
D.I.	Direct Injection	SS	Stainless Steel
DRL	Daytime Running Lamps	SUV	Sport Utility Vehicle
DRW	Dual Rear Wheel	W/	With
FGAWR	Front Gross Axle Weight Rating	W/O	Without
GAWR	Gross Axle Weight Rating	W/WO	With or Without
GVWR	Gross Vehicle Weight Rating	WB	Wheelbase
HD	Heavy Duty	X	XBLADE™ Snowplow
HYD	Hydraulic		

---

# FISHER® Snowplows Kit Selection Guide – 2003 Model Year

## ⚠ WARNING

New untitled vehicle installation of a snowplow requires National Highway Traffic Safety Administration altered vehicle certification labeling. Installer to verify that selected snowplow and ballast, if required, do not exceed GVWR or GAWR rating label and complies with FMVSS.

## ⚠ WARNING

Do not exceed GVWR or GAWR, including blade and ballast. The rating label is found on the driver-side vehicle door cornerpost.

## General Information

The *Kit Selection Guide (KSG)* is designed to help you determine the appropriate snowplow components for a particular snowplow vehicle application. The information published in this guide is based on Federal Motor Vehicle Safety Standards (FMVSS) and a "representative" snowplow vehicle as defined in this guide. The vehicle includes a combined weight of 300 lbs for occupants in the front seat location.

This *KSG* is for specific model year vehicles only and is listed on the front cover of this guide. This guide should be saved for future reference. New kit selection guides will be published for the upcoming model year and so on. The instructions on page 4 explain how to use the *Kit Selection Guide*.

## The "Representative Vehicle"

Knowing that today's snowplow vehicles come in a variety of sizes and configurations (such as wheel base, engine size, and handling packages), Fisher Engineering has defined a "representative vehicle" that contains the options most likely to appear on a typical snowplow application. The "representative vehicle" includes the following options:

- 4X4 Drivetrain (unless noted)
- Spare Tire & Wheel
- Automatic Transmission
- Rear Bumper
- Air Conditioning
- Full Fluids

---

**NOTE: If the vehicle in question does not match a vehicle listing in the *Kit Selection Guide*, or has options that differ from the "Representative Vehicle" as defined earlier, the ballast inquiry sheet must be filled out and submitted in order to determine plow availability and correct ballast amounts to maintain FMVSS compliance. Completed vehicle at no time shall exceed GVWR or GAWR.**

---

## Ballast

When ballast is required it must be secured behind the rear wheels in a manner which prevents it from sliding during normal driving. Ballast shall not exceed 1000 lbs.

Fisher Engineering offers an optional ballast retainer kit (62849) for this purpose.

---

**NOTE: The Universal Attachment Kit is recommended for vehicles with a minimum of 5,000 pounds FGAWR only. Vehicles shall be rated between 14,000 and 27,500 GVWR for 9' MC and 10' MC snowplow installations. Snowplow and ballast or second unit bodies must comply with vehicle manufacturer's stated maximum gross vehicle weight (GVWR) and axle weight (GAWR) ratings. Vehicles must measure minimum of 22.5" from road to bottom of front frame for proper installation. Ballast Inquiry Sheet, if completed in full, can be faxed to (207) 596-2767 for assistance in snowplow and ballast recommendations. Weights for all snowplow products can be found in the current *Kit Selection Guide*. Snowplow headlamp kit must conform to vehicle lamp type.**

---

## Selection Example: Acme Motors 15000 VX with Minute Mount® 2 System

- Go to the section for the appropriate manufacturer.
- Go to the subsection for the desired snowplow type:
  - Section 1:** Regular-duty blades (Homesteader™ through M-Series snowplows)
  - Section 2:** Commercial blades (XBLADE™ through MC-Series snowplows)
- Start at the left-most column, find the **model** and appropriate configuration for the vehicle. In this case, Regular Cab, 6.5 ft box, 5.3L V8 engine, 3925 Min. FGAWR.
- Locate the **peculiar light kit** for this vehicle: 27780. See Headlamp Reference Guide in the back of the *Kit Selection Guide for more information.*
- Locate the **peculiar attachment kit** for this vehicle: 1523 for Homesteader™ system or 7168 for Minute Mount® 2 system. Refer to any footnotes concerning conditions or requirements. For this example, the Minute Mount 2 system is selected and has two footnotes: 1 and 6. A complete list of footnotes is available in the back of this guide.
- Locate the acceptable **blades** at the top of the table. Only those blades with ballast weights listed are valid applications. Three short dashes (—) indicate an invalid application. A question mark (?) indicates a ballast inquiry sheet must be completed.
- For this example, there are four acceptable blades. Choose the 8' HD M. This blade requires 600 lb. of ballast.
- To order components for a complete snowplow package, read down from the top of the selected blade column to determine the part numbers. Be sure to select *one* control, either joystick or hand-held. For this example, the part numbers would be:
  - 28000 (blade)
  - 27777 (common attachment / headgear kit)
  - n/a (A-frame)
  - 9840-2 (hydraulic kit)
  - 8435 (common light kit)
  - 8292 or 9400 (control)
  - 27780 (peculiar light kit, from Step 4)
  - 7168 (peculiar attachment kit, from Step 5 – *must match blade*)

2003 Acme Motors ← ①

Section 1 of 2 ← ②  
Homesteader™ through HD blades

Model	Body Style	DRW	Box Option	Engine Type	Min FGAWR	Min RGAWR	Min GVWR	Peculiar Light Kit	Personal Plow system		Ballast Guidelines, lbs (1)	MM2 system		Ballast Guidelines, lbs (1)					
									Peculiar Att.Kit	Notes		Peculiar Att.Kit	Notes	7-1/2' LD	7-1/2' RD M	8' HD M	8-1/2' HD M	9'	
15000 RS	Reg Cab	No	6.5 Box	4.3L V6	3925	3750	6400	HB3/HB4 use 27780	1523	6,8	---	100	7168	6	300	450	600	600	---
15000 TU	Reg Cab	No	6.5 Box	4.8L V8	3925	3750	6400		1523	6,8	---	150	7168	6	350	500	600	650	---
15000 VX	Reg Cab	No	6.5 Box	5.3L V8	3925	3750	6400		1523	6,8	---	150	7168	6	350	500	600	650	---

Homesteader™	
Blade Length	Blade Assembly
6'-8"	Personal
7'-4"	Personal
Blade Part Number	27547 27549
Common Attachment Kit / Headgear Kit	27550 27550
A-Frame Kit	n/a n/a
Hydraulic Kit	27517 27517
Common Light	8435
Choose a Hand-Held Control or a Joystick Control	9400 8292

Minute Mount® 2				
7-1/2' LD	7-1/2' RD M	8' HD M	8-1/2' HD M	9'
27775	27500	28000	28500	29000
27750-1	27777	27777	27777	27777
n/a	n/a	n/a	n/a	n/a
9825-1	9840-2	9840-2	9840-2	9840-2
		8435		
		9400		
		8292		

**Notes:**  
1. Ballast amounts are based on a "Representative Vehicle," defined in the vehicle selection guide instructions, and must be modified for all other configurations for axle and GVWR compliance.

6. All New Style Only (2nd # in model # is 5 not 0) example: K15903. Refer to label in glove box for model number. Snowplow prep package recommended when available.  
8. These Snowplows Are For Personal/Homeowner Use Only.

# 2003 General Motors

## Section 1 of 2

### Homesteader™ through HD blades



Blade Length	6'-8"	7'-4"
Blade Assembly	Personal	Personal
Blade Part Number	27547	27549
Common Attachment Kit / Headgear Kit	27550	27550
A-Frame Kit	n/a	n/a
Hydraulic Kit	27517	27517
Common Light	8435	
Choose a Hand-Held Control or a Joystick Control	9400	
	8292	



7-1/2' LD	7-1/2' RD M	8' HD M	8-1/2' HD M	9' HD M
27775	27500	28000	28500	29000
27750-1	27777	27777	27777	27777
n/a	n/a	n/a	n/a	n/a
9825-1	9840-2	9840-2	9840-2	9840-2
8435				
9400				
8292				

Model	Body Style	DRW	Box Option	Engine Type	Min F G A W R	Min R G A W R	Min G V W R	Peculiar Light Kit	Personal Plow system		Ballast Guidelines, lbs (1)		MM2 system		Ballast Guidelines, lbs (1)				
									Peculiar Att.Kit	Notes	Peculiar Att.Kit	Notes	Peculiar Att.Kit	Notes					
TRAILBLAZER/ENVOY	SU-4DR	No	---	4.2L V6	2950	3400	5750	HB3/HB4 use 28028	1533	8	0	0	n/a	---	---	---	---	---	---
TRAILBLAZER EXT/ENVOY XL	SU-4DR	No	---	4.2L V6	3200	3400	6400		1533	8	0	0	n/a	---	---	---	---	---	---
TRAILBLAZER EXT/ENVOY XL	SU-4DR	No	---	5.3L V8	3200	3400	6400		1533	8	0	0	n/a	---	---	---	---	---	---
BLAZER	SU-4DR	No	---	4.3L V6	2800	2700	5350	HB3/HB4 use 27480	1503	8,16	150	250	n/a	---	---	---	---	---	---
TAHOE/YUKON 1500	SU-4DR	No	---	4.8L V8	3600	4000	6900	HB3/HB4 use 27780	1523	6,8	---	0	7160	6	50	---	---	---	---
TAHOE/YUKON 1500	SU-4DR	No	---	4.8L V8	3600	3750	6800		1523	6,8	---	0	7160	6	100	---	---	---	---
TAHOE/YUKON 1500	SU-4DR	No	---	4.8L V8	3200	3750	6500		1523	6,8	---	250	7160	6	---	---	---	---	---
TAHOE/YUKON 1500	SU-4DR	No	---	5.3L V8	3600	4000	6900		1523	6,8	---	0	7160	6	50	---	---	---	---
TAHOE/YUKON 1500	SU-4DR	No	---	5.3L V8	3600	3750	6800		1523	6,8	---	0	7160	6	100	---	---	---	---
TAHOE/YUKON 1500	SU-4DR	No	---	5.3L V8	3200	3750	6500		1523	6,8	---	250	7160	6	---	---	---	---	---
YUKON DENALI 1500 XL	SU-4DR	No	---	6.0L V8	3550	4000	7200		n/a	---	---	---	7160	6	0	---	---	---	---
AVALANCHE 2500	---	No	---	8.1L V8	4500	5500	8600		n/a	---	---	---	7169	6	---	600	---	---	---
SUBURBAN/YUKON XL 2500	SU-4DR	No	---	6.0L V8	4180	6000	8600		n/a	---	---	---	7161	---	---	50	---	---	---
S-10/SONOMA	Ext Cab	No	6.1 Box	2.2L I4	2500	2700	4600		HB3/HB4 use 27480	1503	8,16	50	100	n/a	---	---	---	---	---
S-10/SONOMA	Ext Cab	No	6.1 Box	2.2L I4	2500	2300	4400	1503		8,16	50	100	n/a	---	---	---	---	---	
S-10/SONOMA	Ext Cab	No	6.1 Box	4.3L V6	2500	2700	4600	1503		8,16	450	550	n/a	---	---	---	---	---	
S-10/SONOMA	Crew Cab	No	4.5 Box	4.3L V6	2800	2700	5150	1503	8,16	550	---	n/a	---	---	---	---	---		
K1500 SILV/SIERRA	Reg Cab	No	6.5 Box	4.3L V6	3925	3750	6400	HB3/HB4 use 27780	1523	6,8	---	100	7168	6	300	450	550	600	---
K1500 SILV/SIERRA	Reg Cab	No	6.5 Box	4.8L V8	3925	3750	6400		1523	6,8	---	100	7168	6	350	500	600	600	---
K1500 SILV/SIERRA	Reg Cab	No	6.5 Box	5.3L V8	3925	3750	6400		1523	6,8	---	100	7168	6	350	500	600	600	---
K1500 SILV/SIERRA	Reg Cab	No	8.0 Box	4.3L V6	3925	3750	6400		1523	6,8	---	100	7168	6	300	450	550	550	---
K1500 SILV/SIERRA	Reg Cab	No	8.0 Box	4.8L V8	3925	3750	6400		1523	6,8	---	150	7168	6	350	500	600	650	---
K1500 SILV/SIERRA	Reg Cab	No	8.0 Box	5.3L V8	3925	3750	6400		1523	6,8	---	150	7168	6	350	500	600	650	---
K1500 SILV/SIERRA	Ext Cab	No	6.5 Box	4.8L V8	3925	3750	6400		1523	6,8	---	150	7168	6	350	500	---	---	---
K1500 SILV/SIERRA	Ext Cab	No	6.5 Box	5.3L V8	3925	3750	6400		1523	6,8	---	150	7168	6	350	500	---	---	---
K1500 SILV/SIERRA	Ext Cab	No	8.0 Box	4.8L V8	3925	3750	6400		1523	6,8	---	150	7168	6	350	---	---	---	---
K1500 SILV/SIERRA	Ext Cab	No	8.0 Box	5.3L V8	3925	3750	6400		1523	6,8	---	150	7168	6	350	500	---	---	---
K1500 SILV/SIERRA	Ext Cab	No	8.0 Box	4.8L V8	3925	3750	6400		1523	6,8	---	150	7168	6	350	---	---	---	---
K1500 SILV/SIERRA	Ext Cab	No	8.0 Box	5.3L V8	3925	3750	6900		1523	6,8	---	0	7168	6	100	550	---	---	---
SIERRA DENALI w/4WS	Ext Cab	No	6.5 Box	6.0L V8	3925	4000	7200		n/a	---	---	---	7168	6	400	500	---	---	---
K1500HD SILV/SIERRA	Crew Cab	No	6.5 Box	6.0L V8	4500	6000	8600		n/a	---	---	---	7169	6	350	500	600	600	600
K1500HD SILV/SIERRA	Crew Cab	No	6.5 Box	6.0L V8	4410	6000	8600		n/a	---	---	---	7169	6	350	500	600	600	600
K1500HD SILV/SIERRA w/4WS	Crew Cab	No	6.5 Box	6.0L V8	4500	6000	8600		n/a	---	---	---	7169	6	150	300	400	400	400
K1500HD SILV/SIERRA w/4WS	Crew Cab	No	6.5 Box	6.0L V8	4410	6000	8600		n/a	---	---	---	7169	6	150	300	400	400	400

- Notes:**
- Ballast amounts are based on a "Representative Vehicle," defined in the vehicle selection guide instructions, and must be modified for all other configurations for axle and GVWR compliance.
  - All New Style Only (2nd # in model # is 5 not 0) example: K15903. Refer to label in glove box for model number. Snowplow prep package recommended when available.
  - These Snowplows Are For Personal/Homeowner Use Only.
  - Not intended for use with High Rider or ZR2 style trucks.

# 2003 General Motors

## Section 1 of 2

### Homesteader™ through HD blades



Blade Length	6'-8"	7'-4"
Blade Assembly	Personal	Personal
Blade Part Number	27547	27549
Common Attachment Kit / Headgear Kit	27550	27550
A-Frame Kit	n/a	n/a
Hydraulic Kit	27517	27517
Common Light	8435	
Choose a Hand-Held Control or a Joystick Control	9400	
	8292	



7-1/2' LD	7-1/2' RD M	8' HD M	8-1/2' HD M	9' HD M
27775	27500	28000	28500	29000
27750-1	27777	27777	27777	27777
n/a	n/a	n/a	n/a	n/a
9825-1	9840-2	9840-2	9840-2	9840-2
8435				
9400				
8292				

Model	Body Style	DRW	Box Option	Engine Type	Min F G A W R	Min R G A W R	Min G V W R	Peculiar Light Kit	Personal Plow system		Ballast Guidelines, lbs (1)	MM2 system		Ballast Guidelines, lbs (1)				
									Peculiar Att.Kit	Notes		Peculiar Att.Kit	Notes					
K2500 SILV/SIERRA	Ext Cab	No	6.5 Box	6.0L V8	4500	6000	8600		n/a	---	---	7169	6	---	350	500	500	500
K2500 SILV/SIERRA	Ext Cab	No	6.5 Box	6.0L V8	4410	6000	8600		n/a	---	---	7169	6	---	350	500	500	550
K2500HD SILV/SIERRA	Reg Cab	No	8.0 Box	6.0L V8	4800	6084	9200		n/a	---	---	7169	6	---	300	400	400	450
K2500HD SILV/SIERRA	Reg Cab	No	8.0 Box	6.0L V8	4500	6084	9200		n/a	---	---	7169	6	---	300	400	400	450
K2500HD SILV/SIERRA	Reg Cab	No	8.0 Box	6.6L D	4800	6084	9200		n/a	---	---	7169	6	---	500	600	600	700
K2500HD SILV/SIERRA	Reg Cab	No	8.0 Box	8.1L V8	4800	6084	9200		n/a	---	---	7169	6	---	400	500	500	550
K2500HD SILV/SIERRA	Reg Cab	No	8.0 Box	8.1L V8	4500	6084	9200		n/a	---	---	7169	6	---	400	950	---	---
K2500HD SILV/SIERRA	Ext Cab	No	6.5 Box	6.0L V8	4800	6084	9200		n/a	---	---	7169	6	---	350	500	500	500
K2500HD SILV/SIERRA	Ext Cab	No	6.5 Box	6.0L V8	4670	6084	9200		n/a	---	---	7169	6	---	350	500	500	500
K2500HD SILV/SIERRA	Ext Cab	No	6.5 Box	6.6L D	4800	6084	9200		n/a	---	---	7169	6	---	550	---	---	---
K2500HD SILV/SIERRA	Ext Cab	No	6.5 Box	6.6L D	4670	6084	9200		n/a	---	---	7169	6	---	1000	---	---	---
K2500HD SILV/SIERRA	Ext Cab	No	6.5 Box	8.1L V8	4800	6084	9200		n/a	---	---	7169	6	---	500	600	600	600
K2500HD SILV/SIERRA	Ext Cab	No	6.5 Box	8.1L V8	4670	6084	9200		n/a	---	---	7169	6	---	500	950	1000	---
K2500HD SILV/SIERRA	Ext Cab	No	8.0 Box	6.0L V8	4800	6084	9200		n/a	---	---	7169	6	---	300	400	400	450
K2500HD SILV/SIERRA	Ext Cab	No	8.0 Box	6.0L V8	4670	6084	9200		n/a	---	---	7169	6	---	300	400	400	450
K2500HD SILV/SIERRA	Ext Cab	No	8.0 Box	6.6L D	4800	6084	9200		n/a	---	---	7169	6	---	800	---	---	---
K2500HD SILV/SIERRA	Ext Cab	No	8.0 Box	8.1L V8	4800	6084	9200		n/a	---	---	7169	6	---	400	800	900	950
K2500HD SILV/SIERRA	Ext Cab	No	8.0 Box	8.1L V8	4670	6084	9200		n/a	---	---	7169	6	---	750	---	---	---
K2500HD SILV/SIERRA	Crew Cab	No	6.5 Box	6.0L V8	4800	6084	9200	HB3/HB4 use 27780	n/a	---	---	7169	6	---	250	350	350	400
K2500HD SILV/SIERRA	Crew Cab	No	6.5 Box	6.0L V8	4670	6084	9200		n/a	---	---	7169	6	---	250	350	350	400
K2500HD SILV/SIERRA	Crew Cab	No	6.5 Box	8.1L V8	4800	6084	9200		n/a	---	---	7169	6	---	350	1000	---	---
K2500HD SILV/SIERRA	Crew Cab	No	6.5 Box	8.1L V8	4670	6084	9200		n/a	---	---	7169	6	---	900	---	---	---
K2500HD SILV/SIERRA	Crew Cab	No	8.0 Box	6.0L V8	4800	6084	9200		n/a	---	---	7169	6	---	250	350	400	400
K2500HD SILV/SIERRA	Crew Cab	No	8.0 Box	6.0L V8	4670	6084	9200		n/a	---	---	7169	6	---	250	350	400	400
K2500HD SILV/SIERRA	Crew Cab	No	8.0 Box	8.1L V8	4800	6084	9200		n/a	---	---	7169	6	---	400	1000	---	---
K2500HD SILV/SIERRA	Crew Cab	No	8.0 Box	8.1L V8	4670	6084	9200		n/a	---	---	7169	6	---	1000	---	---	---
K2500HD SILV/SIERRA	Chassis	No	Chassis	All	All	All	8500		n/a	---	---	7169	6	---	?	?	?	?
K3500 SILV/SIERRA	Reg Cab	Yes	8.0 Box	6.0L V8	4800	8550	11400		n/a	---	---	7169	6	---	---	---	200	200
K3500 SILV/SIERRA	Reg Cab	Yes	8.0 Box	6.0L V8	4500	8550	11400		n/a	---	---	7169	6	---	---	---	200	200
K3500 SILV/SIERRA	Reg Cab	Yes	8.0 Box	6.6L D	4800	8550	11400		n/a	---	---	7169	6	---	---	---	700	750
K3500 SILV/SIERRA	Reg Cab	Yes	8.0 Box	8.1L V8	4800	8550	11400		n/a	---	---	7169	6	---	---	---	350	350
K3500 SILV/SIERRA	Ext Cab	Yes	8.0 Box	6.0L V8	4800	8550	11400		n/a	---	---	7169	6	---	---	---	150	200
K3500 SILV/SIERRA	Ext Cab	Yes	8.0 Box	8.1L V8	4800	8550	11400		n/a	---	---	7169	6	---	---	---	500	600
K3500 SILV/SIERRA	Crew Cab	Yes	8.0 Box	6.0L V8	4800	8550	11400		n/a	---	---	7169	6	---	---	---	100	150
K3500 SILV/SIERRA	Chassis	Yes	Chassis	All	All	All	8500		n/a	---	---	7169	6	---	---	---	?	?
K3600 SILV/SIERRA	Chassis	Yes	Chassis	All	All	All	8500		n/a	---	---	7169	6	---	---	---	?	?

- Notes:**
- Ballast amounts are based on a "Representative Vehicle," defined in the vehicle selection guide instructions, and must be modified for all other configurations for axle and GVWR compliance.
  - All New Style Only (2nd # in model # is 5 not 0) example: K15903. Refer to label in glove box for model number. Snowplow prep package recommended when available.

# 2003 General Motors

## Section 1 of 2

### Homesteader™ through HD blades



Blade Length	6'-8"	7'-4"
Blade Assembly	Personal	Personal
Blade Part Number	27547	27549
Common Attachment Kit / Headgear Kit	27550	27550
A-Frame Kit	n/a	n/a
Hydraulic Kit	27517	27517
Common Light	8435	
Choose a Hand-Held Control	9400	
or a Joystick Control	8292	



7-1/2' LD	7-1/2' RD M	8' HD M	8-1/2' HD M	9' HD M
27775	27500	28000	28500	29000
27750-1	27777	27777	27777	27777
n/a	n/a	n/a	n/a	n/a
9825-1	9840-2	9840-2	9840-2	9840-2
8435				
9400				
8292				

Model	Body Style	DRW	Box Option	Engine Type	Min F G A W R	Min R G A W R	Min G V W R	Peculiar Light Kit	Personal Plow system		Ballast Guidelines, lbs (1)	MM2 system		Ballast Guidelines, lbs (1)					
									Peculiar Att.Kit	Notes		Peculiar Att.Kit	Notes						
C3500 SILV/SIERRA	Ext Cab	Yes	8.0 Box	6.0L V8	4800	8550	11400		n/a	---	---	---	7169	6	---	---	---	50	100
C3500 SILV/SIERRA	Ext Cab	Yes	8.0 Box	6.0L V8	4670	8550	11400		n/a	---	---	---	7169	6	---	---	---	50	100
C3500 SILV/SIERRA	Ext Cab	Yes	8.0 Box	6.6L D	4800	8550	11400		n/a	---	---	---	7169	6	---	---	---	500	550
C3500 SILV/SIERRA	Ext Cab	Yes	8.0 Box	8.1L V8	4800	8550	11400		n/a	---	---	---	7169	6	---	---	---	250	250
C3500 SILV/SIERRA	Ext Cab	Yes	8.0 Box	8.1L V8	4670	8550	11400		n/a	---	---	---	7169	6	---	---	---	400	450
C3500 SILV/SIERRA	Crew Cab	Yes	8.0 Box	6.0L V8	4800	8550	11400	HB3/HB4 use 27780	n/a	---	---	---	7169	6	---	---	---	0	50
C3500 SILV/SIERRA	Crew Cab	Yes	8.0 Box	6.0L V8	4670	8550	11400		n/a	---	---	---	7169	6	---	---	---	0	50
C3500 SILV/SIERRA	Crew Cab	Yes	8.0 Box	6.6L D	4800	8550	11400		n/a	---	---	---	7169	6	---	---	---	1000	---
C3500 SILV/SIERRA	Crew Cab	Yes	8.0 Box	8.1L V8	4800	8550	11400		n/a	---	---	---	7169	6	---	---	---	300	400
C3500 SILV/SIERRA	Crew Cab	Yes	8.0 Box	8.1L V8	4670	8550	11400		n/a	---	---	---	7169	6	---	---	---	850	950
C3500 SILV/SIERRA	Chassis	Yes	Chassis	All	All	All	10000		n/a	---	---	---	7169	6	---	---	---	?	?
C3600 SILV/SIERRA	Chassis	Yes	Chassis	All	All	All	10000		n/a	---	---	---	7169	6	---	---	---	?	?

- Notes:**
- Ballast amounts are based on a "Representative Vehicle," defined in the vehicle selection guide instructions, and must be modified for all other configurations for axle and GVWR compliance.
  - All New Style Only (2nd # in model # is 5 not 0) example: K15903. Refer to label in glove box for model number. Snowplow prep package recommended when available.

# 2003 General Motors

## Section 2 of 2

### XBLADE™ through MC blades

Blade Length  
Blade Assembly  
Blade Part Number  
Common Attachment Kit / Headgear Kit  
A-Frame Kit  
Hydraulic Kit  
Common Light  
Choose a Hand-Held Control  
or a new Hand-Held Control  
or a Joystick Control

	7-1/2'	7-1/2'	8'	8'	8-1/2'	8-1/2'	9'	9'	8-1/2'	9-1/2'	9'	10'
Blade Assembly	X SS	X MS	X SS	X MS	X SS	X MS	X SS	X MS	EZ-V®	EZ-V	MC	MC
Blade Part Number	27510	27512	28100	28200	28510	28520	29100	29200	28885	28895	27250	27350
Common Attachment Kit / Headgear Kit	28900	27777	28900	27777	28900	27777	28900	27777	28888	28888	29999	29999
A-Frame Kit	n/a	n/a	n/a	n/a	n/a	n/a	n/a	n/a	n/a	n/a	27255-1	27255-1
Hydraulic Kit	9840-2	9840-2	9840-2	9840-2	9840-2	9840-2	9840-2	9840-2	9828-4	9828-4	9835-1	9835-1
Common Light	8435											
Choose a Hand-Held Control	9400						9700			9400		
or a new Hand-Held Control	n/a						9800			n/a		
or a Joystick Control	8292						9900			8292		

9'	10'
MC	MC
27250	27350
8445	8445
27255	27255
9835-1	9835-1
8435	
9400	
n/a	
8292	

Model	Body Style	DRW	Box Option	Engine Type	Min F G A W R	Min R G A W R	Min G V W R	Peculiar Light Kit	MM2 system		Ballast Guidelines, lbs (1)												Ballast Guidelines, lbs (1)	
									Peculiar Att.Kit	Notes														
K1500HD SILV/SIERRA	Crew Cab	No	6.5 Box	6.0L V8	4500	6000	8600		7169	6	600	600	650	650	700	700	700	700	600	---	---	---	---	---
K1500HD SILV/SIERRA	Crew Cab	No	6.5 Box	6.0L V8	4410	6000	8600		7169	6	600	600	650	650	700	700	700	700	600	---	---	---	---	---
K1500HD SILV/SIERRA w/4WS	Crew Cab	No	6.5 Box	6.0L V8	4500	6000	8600		7169	6	400	400	450	450	500	500	500	500	400	---	---	---	---	---
K1500HD SILV/SIERRA w/4WS	Crew Cab	No	6.5 Box	6.0L V8	4410	6000	8600		7169	6	400	400	450	450	500	500	500	500	400	---	---	---	---	---
K2500 SILV/SIERRA	Ext Cab	No	6.5 Box	6.0L V8	4500	6000	8600		7169	6	500	500	550	550	550	550	700	700	500	650	---	---	---	---
K2500 SILV/SIERRA	Ext Cab	No	6.5 Box	6.0L V8	4410	6000	8600		7169	6	500	500	800	800	950	950	---	---	650	---	---	---	---	---
K2500HD SILV/SIERRA	Reg Cab	No	8.0 Box	6.0L V8	4800	6084	9200		7169	6	400	400	450	450	500	500	500	500	400	450	---	---	---	---
K2500HD SILV/SIERRA	Reg Cab	No	8.0 Box	6.0L V8	4500	6084	9200		7169	6	400	400	450	450	500	500	500	500	400	450	---	---	---	---
K2500HD SILV/SIERRA	Reg Cab	No	8.0 Box	6.6L D	4800	6084	9200		7169	6	650	650	900	900	---	---	---	---	800	---	---	---	---	---
K2500HD SILV/SIERRA	Reg Cab	No	8.0 Box	8.1L V8	4800	6084	9200		7169	6	500	500	550	550	600	600	600	600	500	550	---	---	---	---
K2500HD SILV/SIERRA	Ext Cab	No	6.5 Box	6.0L V8	4800	6084	9200		7169	6	500	500	550	550	550	550	600	600	500	550	---	---	---	---
K2500HD SILV/SIERRA	Ext Cab	No	6.5 Box	6.0L V8	4670	6084	9200		7169	6	500	500	550	550	550	550	600	600	500	550	---	---	---	---
K2500HD SILV/SIERRA	Ext Cab	No	6.5 Box	8.1L V8	4800	6084	9200		7169	6	600	600	800	800	950	950	---	---	700	---	---	---	---	---
K2500HD SILV/SIERRA	Ext Cab	No	8.0 Box	6.0L V8	4800	6084	9200		7169	6	400	400	450	450	500	500	500	500	450	500	---	---	---	---
K2500HD SILV/SIERRA	Ext Cab	No	8.0 Box	6.0L V8	4670	6084	9200		7169	6	400	400	450	450	500	500	500	500	450	500	---	---	---	---
K2500HD SILV/SIERRA	Ext Cab	No	8.0 Box	8.1L V8	4800	6084	9200	HB3/HB4 use 27780	7169	6	900	900	---	---	---	---	---	---	---	---	---	---	---	---
K2500HD SILV/SIERRA	Crew Cab	No	6.5 Box	6.0L V8	4800	6084	9200		7169	6	350	350	400	400	450	450	450	450	400	450	---	---	---	---
K2500HD SILV/SIERRA	Crew Cab	No	6.5 Box	6.0L V8	4670	6084	9200		7169	6	350	350	400	400	450	450	550	550	400	500	---	---	---	---
K2500HD SILV/SIERRA	Crew Cab	No	8.0 Box	6.0L V8	4800	6084	9200		7169	6	400	400	450	450	450	450	450	450	400	450	---	---	---	---
K2500HD SILV/SIERRA	Crew Cab	No	8.0 Box	6.0L V8	4670	6084	9200		7169	6	400	400	600	600	750	750	900	900	500	850	---	---	---	---
K2500HD SILV/SIERRA	Chassis	No	Chassis	All	All	All	8500		7169	6	?	?	?	?	?	?	?	?	?	---	---	---	---	
K3500 SILV/SIERRA	Reg Cab	Yes	8.0 Box	6.0L V8	4800	8550	11400		7169	6	---	---	---	---	300	300	300	300	200	250	---	---	---	---
K3500 SILV/SIERRA	Reg Cab	Yes	8.0 Box	6.0L V8	4500	8550	11400		7169	6	---	---	---	---	300	300	350	350	200	300	---	---	---	---
K3500 SILV/SIERRA	Reg Cab	Yes	8.0 Box	6.6L D	4800	8550	11400		7169	6	---	---	---	---	---	---	---	850	---	---	---	---	---	---
K3500 SILV/SIERRA	Reg Cab	Yes	8.0 Box	8.1L V8	4800	8550	11400		7169	6	---	---	---	---	550	550	700	700	350	600	---	---	---	---
K3500 SILV/SIERRA	Ext Cab	Yes	8.0 Box	6.0L V8	4800	8550	11400		7169	6	---	---	---	---	250	250	250	250	150	200	---	---	---	---
K3500 SILV/SIERRA	Ext Cab	Yes	8.0 Box	8.1L V8	4800	8550	11400		7169	6	---	---	---	---	950	950	---	---	700	---	---	---	---	---
K3500 SILV/SIERRA	Crew Cab	Yes	8.0 Box	6.0L V8	4800	8550	11400		7169	6	---	---	---	---	350	350	500	500	150	450	---	---	---	---
K3500 SILV/SIERRA	Chassis	Yes	Chassis	All	All	All	8500		7169	6	---	---	---	---	?	?	?	?	?	?	---	---	---	---
K3600 SILV/SIERRA	Chassis	Yes	Chassis	All	All	All	8500		7169	6	---	---	---	---	?	?	?	?	?	?	---	---	---	---



**Notes:**  
 1. Ballast amounts are based on a "Representative Vehicle," defined in the vehicle selection guide instructions, and must be modified for all other configurations for axle and GVWR compliance.  
 6. All New Style Only (2nd # in model # is 5 not 0) example: K15903. Refer to label in glove box for model number. Snowplow prep package recommended when available.



# 2003 General Motors

## Section 2 of 2

### XBLADE™ through MC blades

															
Blade Length	7-1/2'	7-1/2'	8'	8'	8-1/2'	8-1/2'	9'	9'	8-1/2'	9-1/2'	9'	10'	9'	10'	
Blade Assembly	X SS	X MS	X SS	X MS	X SS	X MS	X SS	X MS	EZ-V®	EZ-V	MC	MC	MC	MC	
Blade Part Number	27510	27512	28100	28200	28510	28520	29100	29200	28885	28895	27250	27350	27250	27350	
Common Attachment Kit / Headgear Kit	28900	27777	28900	27777	28900	27777	28900	27777	28888	28888	29999	29999	8445	8445	
A-Frame Kit	n/a	n/a	n/a	n/a	n/a	n/a	n/a	n/a	n/a	n/a	27255-1	27255-1	27255	27255	
Hydraulic Kit	9840-2	9840-2	9840-2	9840-2	9840-2	9840-2	9840-2	9840-2	9828-4	9828-4	9835-1	9835-1	9835-1	9835-1	
Common Light	8435												8435	8435	
Choose a Hand-Held Control or a new Hand-Held Control or a Joystick Control	9400									9700		9400		9400	9400
	n/a									9800		n/a		n/a	n/a
	8292									9900		8292		8292	8292

Model	Body Style	DRW	Box Option	Engine Type	Min F G A W R	Min R G A W R	Min G V W R	Peculiar Light Kit	MM2 system		Ballast Guidelines, lbs (1)												Ballast Guidelines, lbs (1)			
									Peculiar Att.Kit	Notes																
C3500 SILV/SIERRA	Ext Cab	Yes	8.0 Box	6.0L V8	4800	8550	11400	HB3/HB4 use 27780	7169	6	---	---	---	---	150	150	150	150	50	---	---	---	---	---	---	---
C3500 SILV/SIERRA	Ext Cab	Yes	8.0 Box	6.0L V8	4670	8550	11400		7169	6	---	---	---	---	150	150	150	150	50	---	---	---	---	---	---	---
C3500 SILV/SIERRA	Ext Cab	Yes	8.0 Box	6.6L D	4800	8550	11400		7169	6	---	---	---	---	950	950	---	---	700	---	---	---	---	---	---	---
C3500 SILV/SIERRA	Ext Cab	Yes	8.0 Box	8.1L V8	4800	8550	11400		7169	6	---	---	---	---	300	300	450	450	250	---	---	---	---	---	---	---
C3500 SILV/SIERRA	Ext Cab	Yes	8.0 Box	8.1L V8	4670	8550	11400		7169	6	---	---	---	---	850	850	1000	1000	600	---	---	---	---	---	---	---
C3500 SILV/SIERRA	Crew Cab	Yes	8.0 Box	6.0L V8	4800	8550	11400		7169	6	---	---	---	---	100	100	100	100	0	---	---	---	---	---	---	---
C3500 SILV/SIERRA	Crew Cab	Yes	8.0 Box	6.0L V8	4670	8550	11400		7169	6	---	---	---	---	100	100	100	100	0	---	---	---	---	---	---	---
C3500 SILV/SIERRA	Crew Cab	Yes	8.0 Box	8.1L V8	4800	8550	11400		7169	6	---	---	---	---	800	800	900	900	550	---	---	---	---	---	---	---
C3500 SILV/SIERRA	Chassis	Yes	Chassis	All	All	All	10000		7169	6	---	---	---	---	?	?	?	?	?	---	---	---	---	---	---	---
C3600 SILV/SIERRA	Chassis	Yes	Chassis	All	All	All	10000		7169	6	---	---	---	---	?	?	?	?	?	---	---	---	---	---	---	---
C4500	Chassis	Yes	Chassis	All	All	All	10000	2B use 27890 or 1A/2A use 27890	7171	---	---	---	---	---	?	?	?	?	---	?	?	---	---	---	?	
C5500	Chassis	Yes	Chassis	All	All	All	10000	2B use 27890 or 1A/2A use 27890	7171	---	---	---	---	---	?	?	?	?	---	?	?	---	---	---	?	

- Notes:**
- Ballast amounts are based on a "Representative Vehicle," defined in the vehicle selection guide instructions, and must be modified for all other configurations for axle and GVWR compliance.
  - All New Style Only (2nd # in model # is 5 not 0) example: K15903. Refer to label in glove box for model number. Snowplow prep package recommended when available.

# 2003 Ford

## Section 1 of 2

### Homesteader™ through HD blades



Blade Length	6'-8"	7'-4"
Blade Assembly	Personal	Personal
Blade Part Number	27547	27549
Common Attachment Kit / Headgear Kit	27550	27550
A-Frame Kit	n/a	n/a
Hydraulic Kit	27517	27517
Common Light	8435	
Choose a Hand-Held Control or a Joystick Control	9400	
	8292	



7-1/2' LD	7-1/2' RD M	8' HD M	8-1/2' HD M	9' HD M
27775	27500	28000	28500	29000
27750-1	27777	27777	27777	27777
n/a	n/a	n/a	n/a	n/a
9825-1	9840-2	9840-2	9840-2	9840-2
8435				
9400				
8292				

Model	Body Style	DRW	Box Option	Engine Type	Min F G A W R	Min R G A W R	Min G V W R	Peculiar Light Kit	Personal Plow system		Ballast Guidelines, lbs (1)		MM2 system		Ballast Guidelines, lbs (1)					
									Peculiar Att.Kit	Notes	Peculiar Att.Kit	Notes	Peculiar Att.Kit	Notes						
EXPLORER	SU-4DR	No	---	4.0L V6	2800	3325	5840	HB3/HB4 use 8438 & 28027	1213	3,8,29	200	300	n/a	---	---	---	---	---	---	---
EXPLORER	SU-4DR	No	---	4.0L V6	2800	3325	5520		1213	3,8,29	300	---	n/a	---	---	---	---	---	---	---
EXPLORER	SU-4DR	No	---	4.0L V6	2800	3325	5420		1213	3,8,29	300	---	n/a	---	---	---	---	---	---	---
EXPLORER	SU-4DR	No	---	4.6L V8	2800	3325	5840		1213	3,8,29	250	---	n/a	---	---	---	---	---	---	---
EXPLORER	SU-4DR	No	---	4.6L V8	2800	3325	5520		1213	3,8,29	300	---	n/a	---	---	---	---	---	---	---
EXPLORER	SU-4DR	No	---	4.6L V8	2800	3325	5420		1213	3,8,29	300	---	n/a	---	---	---	---	---	---	---
EXPLORER SPORT TRAC	---	No	4.0 Box	4.0L V6	2900	3200	5840	HB5 use 8436	1203	3,8	500	600	n/a	---	---	---	---	---	---	---
EXCURSION	SU-4DR	No	---	5.4L V8	4700	5250	8900		n/a	---	---	---	7159-2	---	---	0	---	---	---	---
EXCURSION	SU-4DR	No	---	6.8L V10	4700	5250	8900		n/a	---	---	---	7159-2	---	---	100	---	---	---	
RANGER	Reg Cab	No	6.0 Box	3.0L V6	2710	2750	5020		1203	8,10	150	150	n/a	---	---	---	---	---	---	
RANGER	Reg Cab	No	6.0 Box	3.0L V6	2710	2750	4740		1203	8,10	150	150	n/a	---	---	---	---	---	---	
RANGER	Reg Cab	No	6.0 Box	3.0L V6	2710	2600	5020		1203	8,10	150	150	n/a	---	---	---	---	---	---	
RANGER	Reg Cab	No	6.0 Box	3.0L V6	2710	2600	4740		1203	8,10	150	150	n/a	---	---	---	---	---	---	
RANGER	Reg Cab	No	6.0 Box	3.0L V6	2510	2750	5020		1203	8,10	700	800	n/a	---	---	---	---	---	---	
RANGER	Reg Cab	No	6.0 Box	3.0L V6	2510	2600	5020		1203	8,10	700	---	n/a	---	---	---	---	---	---	
RANGER	Reg Cab	No	6.0 Box	4.0L V6	2710	2750	5020		1203	8,10	150	200	n/a	---	---	---	---	---	---	
RANGER	Reg Cab	No	6.0 Box	4.0L V6	2710	2750	4740		1203	8,10	150	200	n/a	---	---	---	---	---	---	
RANGER	Reg Cab	No	6.0 Box	4.0L V6	2710	2600	5020		1203	8,10	150	200	n/a	---	---	---	---	---	---	
RANGER	Reg Cab	No	6.0 Box	4.0L V6	2710	2600	4740		1203	8,10	150	200	n/a	---	---	---	---	---	---	
RANGER	Reg Cab	No	7.0 Box	3.0L V6	2710	2750	5040		1203	8,10	100	150	n/a	---	---	---	---	---	---	
RANGER	Reg Cab	No	7.0 Box	3.0L V6	2710	2750	4800		1203	8,10	100	150	n/a	---	---	---	---	---	---	
RANGER	Reg Cab	No	7.0 Box	3.0L V6	2710	2600	5040		1203	8,10	100	150	n/a	---	---	---	---	---	---	
RANGER	Reg Cab	No	7.0 Box	3.0L V6	2710	2600	4800		1203	8,10	100	150	n/a	---	---	---	---	---	---	
RANGER	Reg Cab	No	7.0 Box	3.0L V6	2510	2750	5040		1203	8,10	700	---	n/a	---	---	---	---	---	---	
RANGER	Reg Cab	No	7.0 Box	4.0L V6	2710	2750	5040		1203	8,10	200	250	n/a	---	---	---	---	---	---	
RANGER	Reg Cab	No	7.0 Box	4.0L V6	2710	2750	4800		1203	8,10	200	250	n/a	---	---	---	---	---	---	
RANGER	Reg Cab	No	7.0 Box	4.0L V6	2710	2600	5040		1203	8,10	200	250	n/a	---	---	---	---	---	---	
RANGER	Reg Cab	No	7.0 Box	4.0L V6	2710	2600	4800		1203	8,10	200	250	n/a	---	---	---	---	---	---	
RANGER	Super Cab	No	6.0 Box	4.0L V6	2850	2750	5440		1203	8,10	150	150	n/a	---	---	---	---	---	---	
RANGER	Super Cab	No	6.0 Box	4.0L V6	2850	2750	5300		1203	8,10	150	150	n/a	---	---	---	---	---	---	
RANGER	Super Cab	No	6.0 Box	4.0L V6	2850	2750	5160		1203	8,10	150	150	n/a	---	---	---	---	---	---	
RANGER	Super Cab	No	6.0 Box	4.0L V6	2850	2750	5120		1203	8,10	150	150	n/a	---	---	---	---	---	---	
RANGER	Super Cab	No	6.0 Box	4.0L V6	2850	2750	4980		1203	8,10	150	150	n/a	---	---	---	---	---	---	
RANGER	Super Cab	No	6.0 Box	4.0L V6	2850	2600	5440		1203	8,10	150	150	n/a	---	---	---	---	---	---	
RANGER	Super Cab	No	6.0 Box	4.0L V6	2850	2600	5300		1203	8,10	150	150	n/a	---	---	---	---	---	---	
RANGER	Super Cab	No	6.0 Box	4.0L V6	2850	2600	5160		1203	8,10	150	150	n/a	---	---	---	---	---	---	

- Notes:
- Ballast amounts are based on a "Representative Vehicle," defined in the vehicle selection guide instructions, and must be modified for all other configurations for axle and GVWR compliance.
  - Requires bumper notching.

- These Snowplows Are For Personal/Homeowner Use Only.
- May require bumper or air dam notching.
- Requires adapter PN 28027.

# 2003 Ford

## Section 1 of 2

### Homesteader™ through HD blades



Blade Length	6'-8"	7'-4"
Blade Assembly	Personal	Personal
Blade Part Number	27547	27549
Common Attachment Kit / Headgear Kit	27550	27550
A-Frame Kit	n/a	n/a
Hydraulic Kit	27517	27517
Common Light	8435	
Choose a Hand-Held Control or a Joystick Control	9400	
	8292	



7-1/2' LD	7-1/2' RD M	8' HD M	8-1/2' HD M	9' HD M
27775	27500	28000	28500	29000
27750-1	27777	27777	27777	27777
n/a	n/a	n/a	n/a	n/a
9825-1	9840-2	9840-2	9840-2	9840-2
8435				
9400				
8292				

Model	Body Style	DRW	Box Option	Engine Type	Min F G A W R	Min R G A W R	Min G V W R	Peculiar Light Kit	Personal Plow system		Ballast Guidelines, lbs (1)		MM2 system		Ballast Guidelines, lbs (1)					
									Peculiar Att.Kit	Notes	Peculiar Att.Kit	Notes	Peculiar Att.Kit	Notes						
RANGER	Super Cab	No	6.0 Box	4.0L V6	2850	2600	5120		1203	8,10	150	150	n/a	---	---	---	---	---	---	---
RANGER	Super Cab	No	6.0 Box	4.0L V6	2850	2600	4980		1203	8,10	150	150	n/a	---	---	---	---	---	---	---
RANGER	Super Cab	No	6.0 Box	4.0L V6	2710	2750	5440		1203	8,10	650	750	n/a	---	---	---	---	---	---	---
RANGER	Super Cab	No	6.0 Box	4.0L V6	2710	2750	5300		1203	8,10	650	750	n/a	---	---	---	---	---	---	---
RANGER	Super Cab	No	6.0 Box	4.0L V6	2710	2750	5160		1203	8,10	650	750	n/a	---	---	---	---	---	---	---
RANGER	Super Cab	No	6.0 Box	4.0L V6	2710	2750	5120		1203	8,10	650	---	n/a	---	---	---	---	---	---	---
F150	Reg Cab	No	6.5 Box	4.2L V6	3600	3550	6300		1223	8	---	0	7150	---	200	500	---	---	---	---
F150	Reg Cab	No	6.5 Box	4.2L V6	3600	3550	6250		1223	8	---	0	7150	---	200	500	---	---	---	---
F150	Reg Cab	No	6.5 Box	4.2L V6	3400	3550	6300		1223	8	---	0	7150	---	450	---	---	---	---	---
F150	Reg Cab	No	6.5 Box	4.2L V6	3400	3550	6250		1223	8	---	0	7150	---	450	---	---	---	---	---
F150	Reg Cab	No	6.5 Box	4.2L V6	3400	3550	6050		1223	8	---	0	7150	---	450	---	---	---	---	---
F150	Reg Cab	No	6.5 Box	4.2L V6	3200	3550	6300		1223	8	---	0	7150	---	---	---	---	---	---	---
F150	Reg Cab	No	6.5 Box	4.2L V6	3200	3550	6250		1223	8	---	0	7150	---	---	---	---	---	---	---
F150	Reg Cab	No	6.5 Box	4.2L V6	3200	3550	6050		1223	8	---	0	7150	---	---	---	---	---	---	---
F150	Reg Cab	No	6.5 Box	4.6L V8	3600	3550	6300		1223	8	---	50	7150	---	250	750	---	---	---	---
F150	Reg Cab	No	6.5 Box	4.6L V8	3600	3550	6250		1223	8	---	50	7150	---	250	---	---	---	---	---
F150	Reg Cab	No	6.5 Box	4.6L V8	3400	3550	6300		1223	8	---	50	7150	---	700	---	---	---	---	---
F150	Reg Cab	No	6.5 Box	4.6L V8	3400	3550	6250		1223	8	---	50	7150	---	700	---	---	---	---	---
F150	Reg Cab	No	6.5 Box	4.6L V8	3400	3550	6050		1223	8	---	50	7150	---	---	---	---	---	---	---
F150	Reg Cab	No	6.5 Box	4.6L V8	3200	3550	6300		1223	8	---	150	7150	---	---	---	---	---	---	---
F150	Reg Cab	No	6.5 Box	4.6L V8	3200	3550	6250		1223	8	---	150	7150	---	---	---	---	---	---	---
F150	Reg Cab	No	6.5 Box	4.6L V8	3200	3550	6050		1223	8	---	150	7150	---	---	---	---	---	---	---
F150	Reg Cab	No	6.5 Box	5.4L V8	3600	3550	6300		1223	8	---	50	7150	---	250	---	---	---	---	---
F150	Reg Cab	No	6.5 Box	5.4L V8	3600	3550	6250		1223	8	---	50	7150	---	250	---	---	---	---	---
F150	Reg Cab	No	6.5 Box	5.4L V8	3400	3550	6300		1223	8	---	50	7150	---	---	---	---	---	---	---
F150	Reg Cab	No	6.5 Box	5.4L V8	3400	3550	6250		1223	8	---	50	7150	---	---	---	---	---	---	---
F150	Reg Cab	No	6.5 Box	5.4L V8	3400	3550	6050		1223	8	---	50	7150	---	---	---	---	---	---	---
F150	Reg Cab	No	6.5 Box	5.4L V8	3200	3550	6300		1223	8	---	350	7150	---	---	---	---	---	---	---
F150	Reg Cab	No	6.5 Box	5.4L V8	3200	3550	6250		1223	8	---	350	7150	---	---	---	---	---	---	---
F150	Reg Cab	No	6.5 Box	5.4L V8	3200	3550	6050		1223	8	---	350	7150	---	---	---	---	---	---	---
F150	Reg Cab	No	8.0 Box	4.2L V6	3600	3550	6050		1223	8	---	50	7150	---	250	---	---	---	---	---
F150	Reg Cab	No	8.0 Box	4.2L V6	3400	3550	6050		1223	8	---	50	7150	---	---	---	---	---	---	---
F150	Reg Cab	No	8.0 Box	4.6L V8	3600	3550	6250		1223	8	---	100	7150	---	350	---	---	---	---	---
F150	Reg Cab	No	8.0 Box	4.6L V8	3400	3550	6250		1223	8	---	100	7150	---	---	---	---	---	---	---
F150	Reg Cab	No	8.0 Box	5.4L V8	4150	4800	7700		1223	8	---	0	7150	22	250	350	450	500	---	---
F150	Reg Cab	No	8.0 Box	5.4L V8	3600	3550	6300		1223	8	---	50	7150	---	550	---	---	---	---	---

Notes:  
 1. Ballast amounts are based on a "Representative Vehicle," defined in the vehicle selection guide instructions, and must be modified for all other configurations for axle and GVWR compliance.  
 8. These Snowplows Are For Personal/Homeowner Use Only.

10. May require bumper or air dam notching.  
 22. Requires 7700 Payload Group (option 627).

# 2003 Ford

## Section 1 of 2

### Homesteader™ through HD blades



Blade Length	6'-8"	7'-4"
Blade Assembly	Personal	Personal
Blade Part Number	27547	27549
Common Attachment Kit / Headgear Kit	27550	27550
A-Frame Kit	n/a	n/a
Hydraulic Kit	27517	27517
Common Light	8435	
Choose a Hand-Held Control or a Joystick Control	9400	
	8292	



7-1/2' LD	7-1/2' RD M	8' HD M	8-1/2' HD M	9' HD M
27775	27500	28000	28500	29000
27750-1	27777	27777	27777	27777
n/a	n/a	n/a	n/a	n/a
9825-1	9840-2	9840-2	9840-2	9840-2
8435				
9400				
8292				

Model	Body Style	DRW	Box Option	Engine Type	Min F G A W R	Min R G A W R	Min G V W R	Peculiar Light Kit	Personal Plow system		Ballast Guidelines, lbs (1)	MM2 system		Ballast Guidelines, lbs (1)					
									Peculiar Att.Kit	Notes		Peculiar Att.Kit	Notes						
F150	Super Cab	No	6.5 Box	4.6L V8	3600	3550	6250		1223	8	---	0	7150	---	500	---	---	---	---
F150	Super Cab	No	6.5 Box	4.6L V8	3400	3550	6250		1223	8	---	0	7150	---	---	---	---	---	---
F150	Super Cab	No	6.5 Box	5.4L V8	4150	4800	7700		1223	8	---	0	7150	22	200	300	400	450	---
F150	Super Cab	No	6.5 Box	5.4L V8	3600	3550	6500		1223	8	---	0	7150	---	700	---	---	---	---
F150	Super Cab	No	6.5 Box	5.4L V8	3400	3550	6500		1223	8	---	150	7150	---	---	---	---	---	---
F150	Super Cab	No	8.0 Box	4.6L V8	3768	3550	6250		1223	8	---	50	7150	---	350	---	---	---	---
F150	Super Cab	No	8.0 Box	4.6L V8	3600	3550	6250		1223	8	---	50	7150	---	---	---	---	---	---
F150	Super Cab	No	8.0 Box	5.4L V8	3768	3550	6500		1223	8	---	50	7150	---	600	---	---	---	---
F150	Super Cab	No	8.0 Box	5.4L V8	3600	3550	6500		1223	8	---	50	7150	---	---	---	---	---	---
F150	SuperCrew	No	5.5 Box	4.6L V8	3600	3800	6500		1223	8	---	0	7150	---	---	---	---	---	---
F150	SuperCrew	No	5.5 Box	5.4L V8	3600	3800	6750		1223	8	---	50	7150	---	---	---	---	---	---
F250 SUPER DUTY	Reg Cab	No	8.0 Box	5.4L V8	5200	6084	8800		n/a	---	---	---	7159-2	---	---	350	450	450	450
F250 SUPER DUTY	Reg Cab	No	8.0 Box	5.4L V8	4800	6084	8800		n/a	---	---	---	7159-2	---	---	350	450	450	450
F250 SUPER DUTY	Reg Cab	No	8.0 Box	5.4L V8	4400	6084	8800		n/a	---	---	---	7159-2	---	---	800	---	---	---
F250 SUPER DUTY	Reg Cab	No	8.0 Box	6.0L D	5200	6084	8800		n/a	---	---	---	7159-2	---	---	550	650	700	800
F250 SUPER DUTY	Reg Cab	No	8.0 Box	6.8L V10	5200	6084	8800		n/a	---	---	---	7159-2	---	---	400	500	500	550
F250 SUPER DUTY	Reg Cab	No	8.0 Box	6.8L V10	4800	6084	8800		n/a	---	---	---	7159-2	---	---	400	500	500	550
F250 SUPER DUTY	Reg Cab	No	8.0 Box	7.3L D	5200	6084	8800		n/a	---	---	---	7159-2	---	---	550	650	650	700
F250 SUPER DUTY	Crew Cab	No	6.8 Box	5.4L V8	5200	6084	8800		n/a	---	---	---	7159-2	---	---	250	350	350	400
F250 SUPER DUTY	Crew Cab	No	6.8 Box	5.4L V8	4800	6084	8800		n/a	---	---	---	7159-2	---	---	250	650	750	850
F250 SUPER DUTY	Crew Cab	No	6.8 Box	6.8L V10	5200	6084	8800		n/a	---	---	---	7159-2	---	---	300	400	450	450
F250 SUPER DUTY	Crew Cab	No	6.8 Box	6.8L V10	4800	6084	8800		n/a	---	---	---	7159-2	---	---	650	---	---	---
F250 SUPER DUTY	Crew Cab	No	6.8 Box	7.3L D	5200	6084	8800		n/a	---	---	---	7159-2	---	---	800	---	---	---
F250 SUPER DUTY	Crew Cab	No	8.0 Box	5.4L V8	5200	6084	8800		n/a	---	---	---	7159-2	---	---	250	350	400	400
F250 SUPER DUTY	Crew Cab	No	8.0 Box	5.4L V8	4800	6084	8800		n/a	---	---	---	7159-2	---	---	500	---	---	---
F250 SUPER DUTY	Crew Cab	No	8.0 Box	6.8L V10	5200	6084	8800		n/a	---	---	---	7159-2	---	---	350	450	450	450
F250 SUPER DUTY	Crew Cab	No	6.8 Box	5.4L V8	5200	6084	8800		n/a	---	---	---	7159-2	---	---	300	400	400	400
F250 SUPER DUTY	Super Cab	No	6.8 Box	5.4L V8	4800	6084	8800		n/a	---	---	---	7159-2	---	---	300	400	400	400
F250 SUPER DUTY	Super Cab	No	6.8 Box	5.4L V8	4400	6084	8800		n/a	---	---	---	7159-2	---	---	1000	---	---	---
F250 SUPER DUTY	Super Cab	No	6.8 Box	6.0L D	5200	6084	8800		n/a	---	---	---	7159-2	---	---	500	800	900	950
F250 SUPER DUTY	Super Cab	No	6.8 Box	6.8L V10	5200	6084	8800		n/a	---	---	---	7159-2	---	---	350	450	450	500
F250 SUPER DUTY	Super Cab	No	6.8 Box	6.8L V10	4800	6084	8800		n/a	---	---	---	7159-2	---	---	350	600	700	750
F250 SUPER DUTY	Super Cab	No	6.8 Box	7.3L D	5200	6084	8800		n/a	---	---	---	7159-2	---	---	500	700	800	850
F250 SUPER DUTY	Super Cab	No	8.0 Box	5.4L V8	5200	6084	8800		n/a	---	---	---	7159-2	---	---	300	400	400	400
F250 SUPER DUTY	Super Cab	No	8.0 Box	5.4L V8	4800	6084	8800		n/a	---	---	---	7159-2	---	---	300	550	650	750
F250 SUPER DUTY	Super Cab	No	8.0 Box	6.0L D	5200	6084	8800		n/a	---	---	---	7159-2	---	---	800	---	---	---

- Notes:**
- Ballast amounts are based on a "Representative Vehicle," defined in the vehicle selection guide instructions, and must be modified for all other configurations for axle and GVWR compliance.
  - These Snowplows Are For Personal/Homeowner Use Only.
  - Requires 7700 Payload Group (option 627).

# 2003 Ford

## Section 1 of 2

### Homesteader™ through HD blades



Blade Length	6'-8"	7'-4"
Blade Assembly	Personal	Personal
Blade Part Number	27547	27549
Common Attachment Kit / Headgear Kit	27550	27550
A-Frame Kit	n/a	n/a
Hydraulic Kit	27517	27517
Common Light	8435	
Choose a Hand-Held Control or a Joystick Control	9400	
	8292	



7-1/2' LD	7-1/2' RD M	8' HD M	8-1/2' HD M	9' HD M
27775	27500	28000	28500	29000
27750-1	27777	27777	27777	27777
n/a	n/a	n/a	n/a	n/a
9825-1	9840-2	9840-2	9840-2	9840-2
8435				
9400				
8292				

Model	Body Style	DRW	Box Option	Engine Type	Min F G A W R	Min R G A W R	Min G V W R	Peculiar Light Kit	Personal Plow system		Ballast Guidelines, lbs (1)	MM2 system		Ballast Guidelines, lbs (1)				
									Peculiar Att.Kit	Notes		Peculiar Att.Kit	Notes					
F250 SUPER DUTY	Super Cab	No	8.0 Box	6.8L V10	5200	6084	8800		n/a	---	---	7159-2	---	---	350	450	500	500
F250 SUPER DUTY	Super Cab	No	8.0 Box	6.8L V10	4800	6084	8800		n/a	---	---	7159-2	---	---	500	---	---	---
F250 SUPER DUTY	Super Cab	No	8.0 Box	7.3L D	5200	6084	8800		n/a	---	---	7159-2	---	---	650	---	---	---
F250 SUPER DUTY	Chassis	No	Chassis	All	All	All	8500		n/a	---	---	7159-2	---	---	?	?	?	?
F350 SUPER DUTY	Reg Cab	No	8.0 Box	5.4L V8	5200	6830	9900		n/a	---	---	7159-2	---	---	---	450	450	450
F350 SUPER DUTY	Reg Cab	No	8.0 Box	5.4L V8	4800	6830	9900		n/a	---	---	7159-2	---	---	---	450	450	450
F350 SUPER DUTY	Reg Cab	No	8.0 Box	6.0L D	5200	6830	9900		n/a	---	---	7159-2	---	---	---	650	650	750
F350 SUPER DUTY	Reg Cab	No	8.0 Box	6.8L V10	5200	6830	9900		n/a	---	---	7159-2	---	---	---	500	500	500
F350 SUPER DUTY	Reg Cab	No	8.0 Box	6.8L V10	4800	6830	9900		n/a	---	---	7159-2	---	---	---	500	500	550
F350 SUPER DUTY	Reg Cab	No	8.0 Box	7.3L D	5200	6830	9900		n/a	---	---	7159-2	---	---	---	650	650	700
F350 SUPER DUTY	Reg Cab	Yes	8.0 Box	5.4L V8	5200	8250	11200		n/a	---	---	7159-2	---	---	---	---	300	300
F350 SUPER DUTY	Reg Cab	Yes	8.0 Box	5.4L V8	4800	8250	11200		n/a	---	---	7159-2	---	---	---	---	300	300
F350 SUPER DUTY	Reg Cab	Yes	8.0 Box	6.0L D	5200	8250	11500		n/a	---	---	7159-2	---	---	---	---	800	850
F350 SUPER DUTY	Reg Cab	Yes	8.0 Box	6.8L V10	5200	8250	11200		n/a	---	---	7159-2	---	---	---	---	300	300
F350 SUPER DUTY	Reg Cab	Yes	8.0 Box	6.8L V10	4800	8250	11200		n/a	---	---	7159-2	---	---	---	---	600	700
F350 SUPER DUTY	Reg Cab	Yes	8.0 Box	7.3L D	5200	8250	11500		n/a	---	---	7159-2	---	---	---	---	700	750
F350 SUPER DUTY	Crew Cab	No	6.8 Box	5.4L V8	5200	6830	9900		n/a	---	---	7159-2	---	---	---	350	350	400
F350 SUPER DUTY	Crew Cab	No	6.8 Box	5.4L V8	4800	6830	9900		n/a	---	---	7159-2	---	---	---	600	700	800
F350 SUPER DUTY	Crew Cab	No	6.8 Box	6.8L V10	5200	6830	9900	2B use 8439 or HB5 use 8436	n/a	---	---	7159-2	---	---	---	400	450	450
F350 SUPER DUTY	Crew Cab	No	8.0 Box	5.4L V8	5200	6830	9900		n/a	---	---	7159-2	---	---	---	350	400	400
F350 SUPER DUTY	Crew Cab	No	8.0 Box	6.8L V10	5200	6830	9900		n/a	---	---	7159-2	---	---	---	450	450	450
F350 SUPER DUTY	Crew Cab	Yes	6.8 Box	6.8L V10	5200	8250	11200		n/a	---	---	7159-2	---	---	---	---	250	250
F350 SUPER DUTY	Crew Cab	Yes	8.0 Box	6.8L V10	5200	8250	11200		n/a	---	---	7159-2	---	---	---	---	200	250
F350 SUPER DUTY	Super Cab	No	6.8 Box	5.4L V8	5200	6830	9900		n/a	---	---	7159-2	---	---	---	400	400	400
F350 SUPER DUTY	Super Cab	No	6.8 Box	5.4L V8	4800	6830	9900		n/a	---	---	7159-2	---	---	---	400	400	400
F350 SUPER DUTY	Super Cab	No	6.8 Box	6.0L D	5200	6830	9900		n/a	---	---	7159-2	---	---	---	800	900	950
F350 SUPER DUTY	Super Cab	No	6.8 Box	6.8L V10	5200	6830	9900		n/a	---	---	7159-2	---	---	---	450	450	450
F350 SUPER DUTY	Super Cab	No	6.8 Box	6.8L V10	4800	6830	9900		n/a	---	---	7159-2	---	---	---	600	700	750
F350 SUPER DUTY	Super Cab	No	6.8 Box	7.3L D	5200	6830	9900		n/a	---	---	7159-2	---	---	---	700	800	850
F350 SUPER DUTY	Super Cab	No	8.0 Box	5.4L V8	5200	6830	9900		n/a	---	---	7159-2	---	---	---	400	400	450
F350 SUPER DUTY	Super Cab	No	8.0 Box	5.4L V8	4800	6830	9900		n/a	---	---	7159-2	---	---	---	550	650	750
F350 SUPER DUTY	Super Cab	No	8.0 Box	6.8L V10	5200	6830	9900		n/a	---	---	7159-2	---	---	---	450	450	500
F350 SUPER DUTY	Super Cab	Yes	8.0 Box	5.4L V8	5200	8250	11200		n/a	---	---	7159-2	---	---	---	---	250	250
F350 SUPER DUTY	Super Cab	Yes	8.0 Box	5.4L V8	4800	8250	11200		n/a	---	---	7159-2	---	---	---	---	800	900
F350 SUPER DUTY	Super Cab	Yes	8.0 Box	6.8L V10	5200	8250	11200		n/a	---	---	7159-2	---	---	---	---	300	300
F350 SUPER DUTY	Chassis	No	Chassis	All	All	All	8500		n/a	---	---	7159-2	---	---	---	?	?	?
F350 SUPER DUTY	Chassis	Yes	Chassis	All	All	All	8500		n/a	---	---	7159-2	---	---	---	---	?	?
F450 SUPER DUTY	Chassis	Yes	Chassis	All	All	All	8500		n/a	---	---	7159-2	---	---	---	---	?	?
F450 SUPER DUTY	Chassis	Yes	Chassis	All	All	All	10000		n/a	---	---	7159-2	38	---	---	---	?	?

Notes:  
 1. Ballast amounts are based on a "Representative Vehicle," defined in the vehicle selection guide instructions, and must be modified for all other configurations for axle and GVWR compliance.  
 38. 4X4 or 4X2.

# 2003 Ford

## Section 2 of 2

### XBLADE™ through MC blades

Blade Length  
Blade Assembly  
Blade Part Number  
Common Attachment Kit / Headgear Kit  
A-Frame Kit  
Hydraulic Kit  
Common Light  
Choose a Hand-Held Control  
or a new Hand-Held Control  
or a Joystick Control

7-1/2'	7-1/2'	8'	8'	8-1/2'	8-1/2'	9'	9'	8-1/2'	9-1/2'	9'	10'
X SS	X MS	X SS	X MS	X SS	X MS	X SS	X MS	EZ-V®	EZ-V	MC	MC
27510	27512	28100	28200	28510	28520	29100	29200	28885	28895	27250	27350
28900	27777	28900	27777	28900	27777	28900	27777	28888	28888	29999	29999
n/a	n/a	n/a	n/a	n/a	n/a	n/a	n/a	n/a	n/a	27255-1	27255-1
9840-2	9840-2	9840-2	9840-2	9840-2	9840-2	9840-2	9840-2	9828-4	9828-4	9835-1	9835-1
8435											
9400						9700			9400		
n/a						9800			n/a		
8292						9900			8292		

9'	10'
MC	MC
27250	27350
8445	8445
27255	27255
9835-1	9835-1
8435	
9400	
n/a	
8292	

Model	Body Style	DRW	Box Option	Engine Type	Min F G A W R	Min R G A W R	Min G V W R	Peculiar Light Kit	MM2 system		Ballast Guidelines, lbs (1)												Ballast Guidelines, lbs (1)	
									Peculiar Att.Kit	Notes														
F250 SUPER DUTY	Reg Cab	No	8.0 Box	5.4L V8	5200	6084	8800		7159-2	---	450	450	500	500	500	500	550	550	450	500	---	---	---	---
F250 SUPER DUTY	Reg Cab	No	8.0 Box	5.4L V8	4800	6084	8800		7159-2	---	450	450	500	500	500	500	550	550	450	500	---	---	---	---
F250 SUPER DUTY	Reg Cab	No	8.0 Box	6.0L D	5200	6084	8800		7159-2	---	750	750	---	---	---	---	---	900	---	---	---	---	---	---
F250 SUPER DUTY	Reg Cab	No	8.0 Box	6.8L V10	5200	6084	8800		7159-2	---	500	500	550	550	600	600	600	500	550	---	---	---	---	---
F250 SUPER DUTY	Reg Cab	No	8.0 Box	6.8L V10	4800	6084	8800		7159-2	---	500	500	750	750	900	900	1000	1000	600	950	---	---	---	---
F250 SUPER DUTY	Reg Cab	No	8.0 Box	7.3L D	5200	6084	8800		7159-2	---	650	650	950	950	---	---	---	800	---	---	---	---	---	---
F250 SUPER DUTY	Crew Cab	No	6.8 Box	5.4L V8	5200	6084	8800		7159-2	---	350	350	400	400	450	450	450	450	350	400	---	---	---	---
F250 SUPER DUTY	Crew Cab	No	6.8 Box	5.4L V8	4800	6084	8800		7159-2	---	800	800	---	---	---	---	---	1000	---	---	---	---	---	---
F250 SUPER DUTY	Crew Cab	No	6.8 Box	6.8L V10	5200	6084	8800		7159-2	---	450	450	500	500	500	500	500	500	450	500	---	---	---	---
F250 SUPER DUTY	Crew Cab	No	8.0 Box	5.4L V8	5200	6084	8800		7159-2	---	400	400	450	450	450	450	500	500	400	450	---	---	---	---
F250 SUPER DUTY	Crew Cab	No	8.0 Box	6.8L V10	5200	6084	8800		7159-2	---	450	450	500	500	550	550	700	700	450	700	---	---	---	---
F250 SUPER DUTY	Super Cab	No	6.8 Box	5.4L V8	5200	6084	8800		7159-2	---	400	400	450	450	450	450	500	500	400	450	---	---	---	---
F250 SUPER DUTY	Super Cab	No	6.8 Box	5.4L V8	4800	6084	8800		7159-2	---	400	400	450	450	600	600	700	700	400	650	---	---	---	---
F250 SUPER DUTY	Super Cab	No	6.8 Box	6.0L D	5200	6084	8800		7159-2	---	900	900	---	---	---	---	---	---	---	---	---	---	---	---
F250 SUPER DUTY	Super Cab	No	6.8 Box	6.8L V10	5200	6084	8800		7159-2	---	450	450	500	500	550	550	550	550	450	500	---	---	---	---
F250 SUPER DUTY	Super Cab	No	6.8 Box	6.8L V10	4800	6084	8800		7159-2	---	700	700	1000	1000	---	---	---	900	---	---	---	---	---	---
F250 SUPER DUTY	Super Cab	No	6.8 Box	7.3L D	5200	6084	8800	2B use 8439 or HB5 use 8436	7159-2	---	800	800	---	---	---	---	---	950	---	---	---	---	---	---
F250 SUPER DUTY	Super Cab	No	8.0 Box	5.4L V8	5200	6084	8800		7159-2	---	400	400	450	450	500	500	500	500	400	450	---	---	---	---
F250 SUPER DUTY	Super Cab	No	8.0 Box	5.4L V8	4800	6084	8800		7159-2	---	700	700	1000	1000	---	---	---	900	---	---	---	---	---	---
F250 SUPER DUTY	Super Cab	No	8.0 Box	6.8L V10	5200	6084	8800		7159-2	---	500	500	550	550	550	600	600	500	550	---	---	---	---	---
F250 SUPER DUTY	Chassis	No	Chassis	All	All	All	8500		7159-2	---	?	?	?	?	?	?	?	?	?	?	---	---	---	---
F350 SUPER DUTY	Reg Cab	No	8.0 Box	5.4L V8	5200	6830	9900		7159-2	---	450	450	500	500	500	500	550	550	450	500	---	---	---	---
F350 SUPER DUTY	Reg Cab	No	8.0 Box	5.4L V8	4800	6830	9900		7159-2	---	450	450	500	500	500	500	550	550	450	500	---	---	---	---
F350 SUPER DUTY	Reg Cab	No	8.0 Box	6.0L D	5200	6830	9900		7159-2	---	700	700	1000	1000	---	---	---	850	---	---	---	---	---	---
F350 SUPER DUTY	Reg Cab	No	8.0 Box	6.8L V10	5200	6830	9900		7159-2	---	500	500	550	550	600	600	600	600	500	550	---	---	---	---
F350 SUPER DUTY	Reg Cab	No	8.0 Box	6.8L V10	4800	6830	9900		7159-2	---	500	500	800	800	950	950	---	---	650	1000	---	---	---	---
F350 SUPER DUTY	Reg Cab	No	8.0 Box	7.3L D	5200	6830	9900		7159-2	---	650	650	900	900	---	---	---	---	750	---	---	---	---	---
F350 SUPER DUTY	Reg Cab	Yes	8.0 Box	5.4L V8	5200	8250	11200		7159-2	---	---	---	---	350	350	400	400	300	350	---	---	---	---	---
F350 SUPER DUTY	Reg Cab	Yes	8.0 Box	5.4L V8	4800	8250	11200		7159-2	---	---	---	---	500	500	650	650	300	550	---	---	---	---	---
F350 SUPER DUTY	Reg Cab	Yes	8.0 Box	6.0L D	5200	8250	11500		7159-2	---	---	---	---	---	---	---	---	1000	---	---	---	---	---	---
F350 SUPER DUTY	Reg Cab	Yes	8.0 Box	6.8L V10	5200	8250	11200		7159-2	---	---	---	---	350	350	400	400	300	350	---	---	---	---	---
F350 SUPER DUTY	Reg Cab	Yes	8.0 Box	6.8L V10	4800	8250	11200		7159-2	---	---	---	---	---	---	---	---	800	---	---	---	---	---	---
F350 SUPER DUTY	Reg Cab	Yes	8.0 Box	7.3L D	5200	8250	11500		7159-2	---	---	---	---	---	---	---	---	850	---	---	---	---	---	---



Notes:  
1. Ballast amounts are based on a "Representative Vehicle," defined in the vehicle selection guide instructions, and must be modified for all other configurations for axle and GVWR compliance.

# 2003 Ford

## Section 2 of 2

### XBLADE™ through MC blades

Blade Length  
Blade Assembly  
Blade Part Number  
Common Attachment Kit / Headgear Kit  
A-Frame Kit  
Hydraulic Kit  
Common Light  
Choose a Hand-Held Control  
or a new Hand-Held Control  
or a Joystick Control

															
7-1/2'	7-1/2'	8'	8'	8-1/2'	8-1/2'	9'	9'	8-1/2'	9-1/2'	9'	10'	9'	10'		
X SS	X MS	X SS	X MS	X SS	X MS	X SS	X MS	EZ-V®	EZ-V	MC	MC	9' MC	10' MC		
27510	27512	28100	28200	28510	28520	29100	29200	28885	28895	27250	27350	27250	27350		
28900	27777	28900	27777	28900	27777	28900	27777	28888	28888	29999	29999	8445	8445		
n/a	n/a	n/a	n/a	n/a	n/a	n/a	n/a	n/a	n/a	27255-1	27255-1	27255	27255		
9840-2	9840-2	9840-2	9840-2	9840-2	9840-2	9840-2	9840-2	9828-4	9828-4	9835-1	9835-1	9835-1	9835-1		
8435												8435			
9400									9700			9400		9400	
n/a									9800			n/a		n/a	
8292									9900			8292		8292	

Model	Body Style	DRW	Box Option	Engine Type	Min F G A W R	Min R G A W R	Min G V W R	Peculiar Light Kit	MM2 system		Ballast Guidelines, lbs (1)												Ballast Guidelines, lbs (1)	
									Peculiar Att.Kit	Notes														
F350 SUPER DUTY	Crew Cab	No	6.8 Box	5.4L V8	5200	6830	9900		7159-2	---	350	350	400	400	450	450	450	450	350	400	---	---	---	---
F350 SUPER DUTY	Crew Cab	No	6.8 Box	5.4L V8	4800	6830	9900		7159-2	---	750	750	---	---	---	---	---	950	---	---	---	---	---	---
F350 SUPER DUTY	Crew Cab	No	6.8 Box	6.8L V10	5200	6830	9900		7159-2	---	450	450	500	500	500	500	500	450	500	---	---	---	---	
F350 SUPER DUTY	Crew Cab	No	8.0 Box	5.4L V8	5200	6830	9900		7159-2	---	400	400	450	450	450	450	500	500	400	450	---	---	---	---
F350 SUPER DUTY	Crew Cab	No	8.0 Box	6.8L V10	5200	6830	9900		7159-2	---	450	450	500	500	550	550	700	700	450	650	---	---	---	---
F350 SUPER DUTY	Crew Cab	Yes	6.8 Box	6.8L V10	5200	8250	11200		7159-2	---	---	---	---	---	350	350	350	350	250	300	---	---	---	---
F350 SUPER DUTY	Crew Cab	Yes	8.0 Box	6.8L V10	5200	8250	11200		7159-2	---	---	---	---	---	700	700	850	850	400	800	---	---	---	---
F350 SUPER DUTY	Super Cab	No	6.8 Box	5.4L V8	5200	6830	9900		7159-2	---	400	400	450	450	450	450	500	500	400	450	---	---	---	---
F350 SUPER DUTY	Super Cab	No	6.8 Box	5.4L V8	4800	6830	9900		7159-2	---	400	400	450	450	600	600	700	700	400	650	---	---	---	---
F350 SUPER DUTY	Super Cab	No	6.8 Box	6.0L D	5200	6830	9900		7159-2	---	900	900	---	---	---	---	---	---	---	---	---	---	---	---
F350 SUPER DUTY	Super Cab	No	6.8 Box	6.8L V10	5200	6830	9900		7159-2	---	450	450	500	500	550	550	550	550	450	500	---	---	---	---
F350 SUPER DUTY	Super Cab	No	6.8 Box	6.8L V10	4800	6830	9900		7159-2	---	700	700	1000	1000	---	---	---	850	---	---	---	---	---	---
F350 SUPER DUTY	Super Cab	No	6.8 Box	7.3L D	5200	6830	9900		7159-2	---	800	800	---	---	---	---	---	950	---	---	---	---	---	---
F350 SUPER DUTY	Super Cab	No	8.0 Box	5.4L V8	5200	6830	9900		7159-2	---	400	400	450	450	500	500	500	500	400	450	---	---	---	---
F350 SUPER DUTY	Super Cab	No	8.0 Box	5.4L V8	4800	6830	9900		7159-2	---	650	650	1000	1000	---	---	---	900	---	---	---	---	---	---
F350 SUPER DUTY	Super Cab	No	8.0 Box	6.8L V10	5200	6830	9900		7159-2	---	450	450	500	500	550	550	550	550	500	550	---	---	---	---
F350 SUPER DUTY	Super Cab	Yes	8.0 Box	5.4L V8	5200	8250	11200		7159-2	---	---	---	---	---	350	350	350	350	250	300	---	---	---	---
F350 SUPER DUTY	Super Cab	Yes	8.0 Box	6.8L V10	5200	8250	11200		7159-2	---	---	---	---	---	350	350	350	350	300	350	---	---	---	---
F350 SUPER DUTY	Chassis	No	Chassis	All	All	All	8500		7159-2	---	?	?	?	?	?	?	?	?	?	?	---	---	---	---
F350 SUPER DUTY	Chassis	Yes	Chassis	All	All	All	8500		7159-2	---	---	---	---	---	?	?	?	?	?	?	---	---	---	---
F450 SUPER DUTY	Chassis	Yes	Chassis	All	All	All	8500		7159-2	---	---	---	---	---	?	?	?	?	?	?	?	---	---	---
F550 SUPER DUTY	Chassis	Yes	Chassis	All	All	All	8500		7159-2	---	---	---	---	---	?	?	?	?	?	?	?	---	---	---
F450 SUPER DUTY	Chassis	Yes	Chassis	All	All	All	10000		7159-2	38	---	---	---	---	?	?	?	?	?	?	?	---	---	---
F550 SUPER DUTY	Chassis	Yes	Chassis	All	All	All	10000		7159-2	38	---	---	---	---	?	?	?	?	?	?	?	---	---	---
F650	Chassis	Yes	Chassis	All	All	All	10000		7164	39	---	---	---	---	---	---	---	---	---	?	?	---	---	---
F650 (Low Pro)	Chassis	Yes	Chassis	All	All	All	10000		7156-1	27	---	---	---	---	---	---	---	---	---	?	?	---	---	---

Notes:  
1. Ballast amounts are based on a "Representative Vehicle," defined in the vehicle selection guide instructions, and must be modified for all other configurations for axle and GVWR compliance.  
27. Universal Kit. Custom installation required. 27,500 Max. GVWR. Minimum 22.5" from road to vehicle frame.

38. 4X4 or 4X2.  
39. 27,500 max GVWR.

# 2003 Dodge

## Section 1 of 2

### Homesteader™ through HD blades



Blade Length	6'-8"	7'-4"
Blade Assembly	Personal	Personal
Blade Part Number	27547	27549
Common Attachment Kit / Headgear Kit	27550	27550
A-Frame Kit	n/a	n/a
Hydraulic Kit	27517	27517
Common Light	8435	
Choose a Hand-Held Control or a Joystick Control	9400	
	8292	



7-1/2' LD	7-1/2' RD M	8' HD M	8-1/2' HD M	9' HD M
27775	27500	28000	28500	29000
27750-1	27777	27777	27777	27777
n/a	n/a	n/a	n/a	n/a
9825-1	9840-2	9840-2	9840-2	9840-2
8435				
9400				
8292				

Model	Body Style	DRW	Box Option	Engine Type	Min F G A W R	Min R G A W R	Min G V W R	Peculiar Light Kit	Personal Plow system		Ballast Guidelines, lbs (1)	MM2 system		Ballast Guidelines, lbs (1)				
									Peculiar Att.Kit	Notes		Peculiar Att.Kit	Notes					
DURANGO R/T	SU-4DR	No	---	5.9L V8	3600	3806	6400		n/a	---	---	7165	25	300	---	---	---	---
DURANGO SLT	SU-4DR	No	---	4.7L V8	3600	3806	6400		n/a	---	---	7165	25	0	---	---	---	---
DURANGO SLT	SU-4DR	No	---	5.9L V8	3600	3806	6400		n/a	---	---	7165	25	50	---	---	---	---
DURANGO SLT PLUS	SU-4DR	No	---	4.7L V8	3600	3806	6400		n/a	---	---	7165	25	0	---	---	---	---
DURANGO SLT PLUS	SU-4DR	No	---	5.9L V8	3600	3806	6400		n/a	---	---	7165	25	200	---	---	---	---
DURANGO SPORT	SU-4DR	No	---	4.7L V8	3600	3806	6400		n/a	---	---	7165	25	50	---	---	---	---
DAKOTA	Reg Cab	No	6.5 Box	3.9L V6	3600	3850	5900		n/a	---	---	7165	25	350	450	---	---	---
DAKOTA	Reg Cab	No	6.5 Box	3.9L V6	3600	3850	5400		n/a	---	---	7165	25	350	---	---	---	---
DAKOTA	Club Cab	No	6.5 Box	3.9L V6	3600	3850	6010		n/a	---	---	7165	25	350	500	---	---	---
DAKOTA SLT	Reg Cab	No	6.5 Box	3.9L V6	3600	3850	5900		n/a	---	---	7165	25	300	450	---	---	---
DAKOTA SLT	Reg Cab	No	6.5 Box	3.9L V6	3600	3850	5400		n/a	---	---	7165	25	300	---	---	---	---
DAKOTA SLT	Reg Cab	No	6.5 Box	4.7L V8	3600	3850	5900		n/a	---	---	7165	25	300	450	---	---	---
DAKOTA SLT	Reg Cab	No	6.5 Box	4.7L V8	3600	3850	5400		n/a	---	---	7165	25	300	---	---	---	---
DAKOTA SLT	Club Cab	No	6.5 Box	3.9L V6	3600	3850	6010		n/a	---	---	7165	25	350	450	---	---	---
DAKOTA SLT	Club Cab	No	6.5 Box	4.7L V8	3600	3850	6010		n/a	---	---	7165	25	350	---	---	---	---
DAKOTA SLT	Club Cab	No	6.5 Box	4.7L V8	3600	3850	5900		n/a	---	---	7165	25	350	---	---	---	---
DAKOTA SLT	Club Cab	No	6.5 Box	4.7L V8	3600	3850	5600		n/a	---	---	7165	25	350	---	---	---	---
DAKOTA SLT	Quad Cab	No	5.3 Box	3.9L V6	3600	3850	6010	HB5 use 8436	n/a	---	---	7165	25	200	450	---	---	---
DAKOTA SLT	Quad Cab	No	5.3 Box	4.7L V8	3600	3850	6010		n/a	---	---	7165	25	150	---	---	---	---
DAKOTA SLT	Quad Cab	No	5.3 Box	5.9L V8	3600	3850	6010	n/a	---	---	---	7165	25	150	---	---	---	---
DAKOTA SPORT	Reg Cab	No	6.5 Box	3.9L V6	3600	3850	5900	n/a	---	---	---	7165	25	300	450	---	---	---
DAKOTA SPORT	Reg Cab	No	6.5 Box	3.9L V6	3600	3850	5400	n/a	---	---	---	7165	25	300	---	---	---	---
DAKOTA SPORT	Reg Cab	No	6.5 Box	4.7L V8	3600	3850	5900	n/a	---	---	---	7165	25	300	450	---	---	---
DAKOTA SPORT	Reg Cab	No	6.5 Box	4.7L V8	3600	3850	5400	n/a	---	---	---	7165	25	300	---	---	---	---
DAKOTA SPORT	Club Cab	No	6.5 Box	3.9L V6	3600	3850	6010	n/a	---	---	---	7165	25	350	450	---	---	---
DAKOTA SPORT	Club Cab	No	6.5 Box	4.7L V8	3600	3850	6010	n/a	---	---	---	7165	25	300	---	---	---	---
DAKOTA SPORT	Club Cab	No	6.5 Box	4.7L V8	3600	3850	5900	n/a	---	---	---	7165	25	300	---	---	---	---
DAKOTA SPORT	Club Cab	No	6.5 Box	4.7L V8	3600	3850	5600	n/a	---	---	---	7165	25	300	---	---	---	---
DAKOTA SPORT	Quad Cab	No	5.3 Box	3.9L V6	3600	3850	6010	n/a	---	---	---	7165	25	150	400	---	---	---
DAKOTA SPORT	Quad Cab	No	5.3 Box	4.7L V8	3600	3850	6010	n/a	---	---	---	7165	25	150	---	---	---	---
DAKOTA SPORT	Quad Cab	No	5.3 Box	5.9L V8	3600	3850	6010	n/a	---	---	---	7165	25	150	---	---	---	---
RAM 1500	Reg Cab	No	6.3 Box	4.7L V8	3900	3900	6350	n/a	---	---	---	7167	---	200	---	---	---	---
RAM 1500	Reg Cab	No	6.3 Box	5.9L V8	3900	3900	6350	n/a	---	---	---	7167	---	250	---	---	---	---
RAM 1500	Reg Cab	No	8.0 Box	4.7L V8	3900	3900	6550	n/a	---	---	---	7167	---	200	---	---	---	---
RAM 1500	Quad Cab	No	6.3 Box	4.7L V8	3900	3900	6650	n/a	---	---	---	7167	---	350	---	---	---	---

- Notes:
- Ballast amounts are based on a "Representative Vehicle," defined in the vehicle selection guide instructions, and must be modified for all other configurations for axle and GVWR compliance.
  - Requires LT 235 series tires or larger.



# 2003 Dodge

## Section 1 of 2

### Homesteader™ through HD blades



Blade Length	6'-8"	7'-4"
Blade Assembly	Personal	Personal
Blade Part Number	27547	27549
Common Attachment Kit / Headgear Kit	27550	27550
A-Frame Kit	n/a	n/a
Hydraulic Kit	27517	27517
Common Light	8435	
Choose a Hand-Held Control or a Joystick Control	9400	
	8292	



7-1/2' LD	7-1/2' RD M	8' HD M	8-1/2' HD M	9' HD M
27775	27500	28000	28500	29000
27750-1	27777	27777	27777	27777
n/a	n/a	n/a	n/a	n/a
9825-1	9840-2	9840-2	9840-2	9840-2
8435				
9400				
8292				

Model	Body Style	DRW	Box Option	Engine Type	Min F G A W R	Min R G A W R	Min G V W R	Peculiar Light Kit	Personal Plow system		Ballast Guidelines, lbs (1)	MM2 system		Ballast Guidelines, lbs (1)				
									Peculiar Att.Kit	Notes		Peculiar Att.Kit	Notes					
RAM 1500 SLT	Reg Cab	No	6.3 Box	4.7L V8	3900	3900	6350		n/a	---	---	7167	---	200	---	---	---	---
RAM 1500 SLT	Reg Cab	No	6.3 Box	5.9L V8	3900	3900	6350		n/a	---	---	7167	---	250	---	---	---	---
RAM 1500 SLT	Reg Cab	No	8.0 Box	4.7L V8	3900	3900	6550		n/a	---	---	7167	---	300	---	---	---	---
RAM 1500 SLT	Quad Cab	No	6.3 Box	4.7L V8	3900	3900	6650		n/a	---	---	7167	---	450	---	---	---	---
RAM 1500 SLT+20" tires	Reg Cab	No	6.3 Box	4.7L V8	3900	3900	6350		n/a	---	---	7167	---	150	---	---	---	---
RAM 1500 SLT+20" tires	Reg Cab	No	6.3 Box	5.9L V8	3900	3900	6350		n/a	---	---	7167	---	200	---	---	---	---
RAM 2500	Reg Cab	No	8.0 Box	5.7L V8	5200	6000	8650		n/a	---	---	7170-1	2	---	250	350	400	400
RAM 2500	Reg Cab	No	8.0 Box	5.9L D	5200	6000	9000		n/a	---	---	7170-1	2	---	600	1000	---	---
RAM 2500	Reg Cab	No	8.0 Box	5.9L D HO	5200	6000	9000		n/a	---	---	7170-1	2,30	---	550	800	850	950
RAM 2500	Reg Cab	No	8.0 Box	8.0L V10	5200	6000	9000		n/a	---	---	7170-1	2	---	400	500	550	550
RAM 2500	Quad Cab	No	6.3 Box	5.7L V8	5200	6000	8800		n/a	---	---	7170-1	2	---	150	300	300	300
RAM 2500	Quad Cab	No	6.3 Box	5.9L D	5200	6000	9000		n/a	---	---	7170-1	2	---	750	---	---	---
RAM 2500	Quad Cab	No	6.3 Box	5.9L D HO	5200	6000	9000		n/a	---	---	7170-1	2,30	---	450	---	---	---
RAM 2500	Quad Cab	No	6.3 Box	8.0L V10	5200	6000	9000		n/a	---	---	7170-1	2	---	300	400	450	450
RAM 2500	Quad Cab	No	8.0 Box	5.7L V8	5200	6000	8800		n/a	---	---	7170-1	2	---	250	350	350	350
RAM 2500	Quad Cab	No	8.0 Box	5.9L D HO	5200	6000	9000		n/a	---	---	7170-1	2,30	---	1000	---	---	---
RAM 2500	Quad Cab	No	8.0 Box	8.0L V10	5200	6000	9000		n/a	---	---	7170-1	2	---	350	450	500	500
RAM 2500	Chassis	No	Chassis	All	All	All	8500	HB5 use 8436	n/a	---	---	7170-1	2	---	?	?	?	?
RAM 2500 SLT	Reg Cab	No	8.0 Box	5.7L V8	5200	6150	8650		n/a	---	---	7170-1	2	---	300	400	400	400
RAM 2500 SLT	Reg Cab	No	8.0 Box	5.9L D	5200	6150	9000		n/a	---	---	7170-1	2	---	700	---	---	---
RAM 2500 SLT	Reg Cab	No	8.0 Box	5.9L D HO	5200	6150	9000		n/a	---	---	7170-1	2,30	---	550	---	---	---
RAM 2500 SLT	Reg Cab	No	8.0 Box	8.0L V10	5200	6150	9000		n/a	---	---	7170-1	2	---	400	550	550	550
RAM 2500 SLT	Quad Cab	No	6.3 Box	5.7L V8	5200	6150	8800		n/a	---	---	7170-1	2	---	200	300	300	300
RAM 2500 SLT	Quad Cab	No	6.3 Box	5.9L D	5200	6150	9000		n/a	---	---	7170-1	2	---	1000	---	---	---
RAM 2500 SLT	Quad Cab	No	6.3 Box	5.9L D HO	5200	6150	9000		n/a	---	---	7170-1	2,30	---	700	---	---	---
RAM 2500 SLT	Quad Cab	No	6.3 Box	8.0L V10	5200	6150	9000		n/a	---	---	7170-1	2	---	300	450	450	450
RAM 2500 SLT	Quad Cab	No	8.0 Box	5.7L V8	5200	6150	8800		n/a	---	---	7170-1	2	---	250	350	350	350
RAM 2500 SLT	Quad Cab	No	8.0 Box	8.0L V10	5200	6150	9000		n/a	---	---	7170-1	2	---	400	650	750	800
RAM 3500	Reg Cab	Yes	8.0 Box	5.7L V8	5200	9350	11500		n/a	---	---	7170-1	2	---	---	---	100	150
RAM 3500	Reg Cab	Yes	8.0 Box	8.0L V10	5200	9350	11500		n/a	---	---	7170-1	2	---	---	---	350	350
RAM 3500	Quad Cab	Yes	8.0 Box	5.7L V8	5200	9350	11500		n/a	---	---	7170-1	2	---	---	---	100	100
RAM 3500	Chassis	Yes	Chassis	All	All	All	8500		n/a	---	---	7170-1	2,30	---	---	---	?	?
RAM 3500 SLT	Reg Cab	Yes	8.0 Box	5.7L V8	5200	9350	11500		n/a	---	---	7170-1	2	---	---	---	150	150
RAM 3500 SLT	Reg Cab	Yes	8.0 Box	8.0L V10	5200	9350	11500		n/a	---	---	7170-1	2	---	---	---	400	500
RAM 3500 SLT	Quad Cab	Yes	8.0 Box	5.7L V8	5200	9350	11500		n/a	---	---	7170-1	2	---	---	---	100	100
RAM 3500	Chassis	Yes	Chassis	All	All	All	10000		n/a	---	---	7170-1	2	---	---	---	?	?

- Notes:**
1. Ballast amounts are based on a "Representative Vehicle," defined in the vehicle selection guide instructions, and must be modified for all other configurations for axle and GVWR compliance.
  2. Recommended snowplow prep package whenever available.
  30. High output diesel engines require automatic transmission.

# 2003 Dodge

## Section 2 of 2

### XBLADE™ through MC blades

Blade Length  
Blade Assembly  
Blade Part Number  
Common Attachment Kit / Headgear Kit  
A-Frame Kit  
Hydraulic Kit  
Common Light  
Choose a Hand-Held Control  
or a new Hand-Held Control  
or a Joystick Control

7-1/2'	7-1/2'	8'	8'	8-1/2'	8-1/2'	9'	9'	8-1/2'	9-1/2'	9'	10'	9'	10'				
X SS	X MS	X SS	X MS	X SS	X MS	X SS	X MS	EZ-V®	EZ-V	MC	MC	MC	MC				
27510	27512	28100	28200	28510	28520	29100	29200	28885	28895	27250	27350	27250	27350				
28900	27777	28900	27777	28900	27777	28900	27777	28888	28888	29999	29999	8445	8445				
n/a	n/a	n/a	n/a	n/a	n/a	n/a	n/a	n/a	n/a	27255-1	27255-1	27255	27255				
9840-2	9840-2	9840-2	9840-2	9840-2	9840-2	9840-2	9840-2	9828-4	9828-4	9835-1	9835-1	9835-1	9835-1				
8435												8435					
9400									9700			9400		9400			
n/a												9800		n/a		n/a	
8292									9900			8292		8292			

Model	Body Style	DRW	Box Option	Engine Type	Min F G A W R	Min R G A W R	Min G V W R	Peculiar Light Kit	MM2 system		Ballast Guidelines, lbs (1)												Ballast Guidelines, lbs (1)		
									Peculiar Att.Kit	Notes															
RAM 2500	Reg Cab	No	8.0 Box	5.7L V8	5200	6000	8650	HB5 use 8436	7170-1	2	400	400	450	450	450	450	500	500	400	450	---	---	---	---	
RAM 2500	Reg Cab	No	8.0 Box	5.9L D HO	5200	6000	9000		7170-1	2,30	900	900	---	---	---	---	---	---	---	---	---	---	---	---	
RAM 2500	Reg Cab	No	8.0 Box	8.0L V10	5200	6000	9000		7170-1	2	550	550	600	600	600	600	650	650	550	600	---	---	---	---	---
RAM 2500	Quad Cab	No	6.3 Box	5.7L V8	5200	6000	8800		7170-1	2	300	300	350	350	350	350	400	400	300	350	---	---	---	---	---
RAM 2500	Quad Cab	No	6.3 Box	8.0L V10	5200	6000	9000		7170-1	2	450	450	500	500	500	500	600	600	450	500	---	---	---	---	---
RAM 2500	Quad Cab	No	8.0 Box	5.7L V8	5200	6000	8800		7170-1	2	350	350	400	400	400	400	450	450	350	400	---	---	---	---	---
RAM 2500	Quad Cab	No	8.0 Box	8.0L V10	5200	6000	9000		7170-1	2	500	500	750	750	900	900	---	---	650	1000	---	---	---	---	---
RAM 2500	Chassis	No	Chassis	All	All	All	8500		7170-1	2	?	?	?	?	?	?	?	?	?	---	---	---	---	---	---
RAM 2500 SLT	Reg Cab	No	8.0 Box	5.7L V8	5200	6150	8650		7170-1	2	400	400	450	450	500	500	500	500	400	450	---	---	---	---	---
RAM 2500 SLT	Reg Cab	No	8.0 Box	8.0L V10	5200	6150	9000		7170-1	2	550	550	600	600	600	600	650	650	550	600	---	---	---	---	---
RAM 2500 SLT	Quad Cab	No	6.3 Box	5.7L V8	5200	6150	8800		7170-1	2	300	300	350	350	400	400	400	400	300	350	---	---	---	---	---
RAM 2500 SLT	Quad Cab	No	6.3 Box	8.0L V10	5200	6150	9000		7170-1	2	450	450	600	600	750	750	900	900	450	800	---	---	---	---	---
RAM 2500 SLT	Quad Cab	No	8.0 Box	5.7L V8	5200	6150	8800		7170-1	2	350	350	400	400	450	450	450	450	350	400	---	---	---	---	---
RAM 2500 SLT	Quad Cab	No	8.0 Box	8.0L V10	5200	6150	9000		7170-1	2	750	750	---	---	---	---	---	---	950	---	---	---	---	---	---
RAM 3500	Reg Cab	Yes	8.0 Box	5.7L V8	5200	9350	11500		7170-1	2	---	---	---	---	200	200	200	200	100	150	---	---	---	---	---
RAM 3500	Reg Cab	Yes	8.0 Box	8.0L V10	5200	9350	11500		7170-1	2	---	---	---	---	600	600	750	750	350	700	---	---	---	---	---
RAM 3500	Quad Cab	Yes	8.0 Box	5.7L V8	5200	9350	11500		7170-1	2	---	---	---	---	150	150	200	200	100	150	---	---	---	---	---
RAM 3500	Chassis	Yes	Chassis	All	All	All	8500		7170-1	2,30	---	---	---	---	?	?	?	?	?	?	---	---	---	---	---
RAM 3500 SLT	Reg Cab	Yes	8.0 Box	5.7L V8	5200	9350	11500		7170-1	2	---	---	---	---	200	200	250	250	150	200	---	---	---	---	---
RAM 3500 SLT	Reg Cab	Yes	8.0 Box	8.0L V10	5200	9350	11500		7170-1	2	---	---	---	---	850	850	1000	1000	600	950	---	---	---	---	---
RAM 3500 SLT	Quad Cab	Yes	8.0 Box	5.7L V8	5200	9350	11500	7170-1	2	---	---	---	---	150	150	200	200	100	150	---	---	---	---	---	
RAM 3500	Chassis	Yes	Chassis	All	All	All	10000	7170-1	2	---	---	---	---	?	?	?	?	?	?	---	---	---	---	---	

- Notes:**
- Ballast amounts are based on a "Representative Vehicle," defined in the vehicle selection guide instructions, and must be modified for all other configurations for axle and GVWR compliance.
  - Recommended snowplow prep package whenever available.
  - High output diesel engines require automatic transmission.

# 2003 Jeep

## Section 1

### Homesteader™ through HD blades



Blade Length	6'-8"	7'-4"
Blade Assembly	Personal	Personal
Blade Part Number	27547	27549
Common Attachment Kit / Headgear Kit	27550	27550
A-Frame Kit	n/a	n/a
Hydraulic Kit	27517	27517
Common Light	8435	
Choose a Hand-Held Control or a Joystick Control	9400	
	8292	



7-1/2' LD	7-1/2' RD M	8' HD M	8-1/2' HD M	9' HD M
27775	27500	28000	28500	29000
27750-1	27777	27777	27777	27777
n/a	n/a	n/a	n/a	n/a
9825-1	9840-2	9840-2	9840-2	9840-2
8435				
9400				
8292				

Model	Body Style	DRW	Box Option	Engine Type	Min FGAWR	Min RGAWR	Min GVWR	Peculiar Light Kit	Personal Plow system		Ballast Guidelines, lbs (1)	MM2 system		Ballast Guidelines, lbs (1)						
									Peculiar Att.Kit	Notes		Peculiar Att.Kit	Notes							
LIBERTY	SU-4DR	No	---	3.7L V6	2750	3150	5600	HB5 use 8436	3713-1	3,8	0	0	n/a	---	---	---	---	---	---	---
WRANGLER SAHARA	SU-2DR	No	---	4.0L I6	2500	2600	4450	2D use 8439	3723	8	0	0	7163-1	26	---	---	---	---	---	---
WRANGLER SAHARA	SU-2DR	No	---	4.0L I6	2200	2600	4450		3723	8	0	50	n/a	---	---	---	---	---	---	---
WRANGLER SE	SU-2DR	No	---	2.5L I4	2500	2600	4450		3723	8	0	0	7163-1	26	---	---	---	---	---	---
WRANGLER SE	SU-2DR	No	---	2.5L I4	2200	2600	4450		3723	8	0	0	n/a	---	---	---	---	---	---	---
WRANGLER SPORT	SU-2DR	No	---	4.0L I6	2500	2600	4450		3723	8	0	0	7163-1	26	---	---	---	---	---	---
WRANGLER SPORT	SU-2DR	No	---	4.0L I6	2200	2600	4450		3723	8	0	0	n/a	---	---	---	---	---	---	---
WRANGLER X	SU-2DR	No	---	4.0L I6	2500	2600	4450		3723	8	0	0	7163-1	26	---	---	---	---	---	---
WRANGLER X	SU-2DR	No	---	4.0L I6	2200	2600	4450		3723	8	0	0	n/a	---	---	---	---	---	---	---

- Notes:**
- Ballast amounts are based on a "Representative Vehicle," defined in the vehicle selection guide instructions, and must be modified for all other configurations for axle and GVWR compliance.
  - Requires bumper notching.

- These Snowplows Are For Personal/Homeowner Use Only.
- Requires MOPAR air shock kit PN 82202562 to increase FGAWR from 2200 to 2500.

# 2003 Mazda

## Section 1

### Homesteader™ through HD blades



Blade Length	6'-8"	7'-4"
Blade Assembly	Personal	Personal
Blade Part Number	27547	27549
Common Attachment Kit / Headgear Kit	27550	27550
A-Frame Kit	n/a	n/a
Hydraulic Kit	27517	27517
Common Light	8435	
Choose a Hand-Held Control or a Joystick Control	9400	
	8292	



7-1/2' LD	7-1/2' RD M	8' HD M	8-1/2' HD M	9' HD M
27775	27500	28000	28500	29000
27750-1	27777	27777	27777	27777
n/a	n/a	n/a	n/a	n/a
9825-1	9840-2	9840-2	9840-2	9840-2
8435				
9400				
8292				

Model	Body Style	DRW	Box Option	Engine Type	Min F G A W R	Min R G A W R	Min G V W R	Peculiar Light Kit	Personal Plow system		Ballast Guidelines, lbs (1)	MM2 system		Ballast Guidelines, lbs (1)					
									Peculiar Att.Kit	Notes		Peculiar Att.Kit	Notes						
B4000	CabPlus	No	6.0 Box	4.0L V6	2850	2600	5100	HB5 use 8436	1203	8,10	150	150	n/a	---	---	---	---	---	---
B4000	CabPlus	No	6.0 Box	4.0L V6	2710	2600	5100		1203	8,10	150	150	n/a	---	---	---	---	---	---
B4000	CabPlus	No	6.0 Box	4.0L V6	2510	2600	5100		1203	8,10	550	650	n/a	---	---	---	---	---	---
B4000	CabPlus4	No	6.0 Box	4.0L V6	2850	2600	5100		1203	8,10	150	150	n/a	---	---	---	---	---	---
B4000	CabPlus4	No	6.0 Box	4.0L V6	2710	2600	5100		1203	8,10	150	150	n/a	---	---	---	---	---	---
B4000	CabPlus4	No	6.0 Box	4.0L V6	2510	2600	5100		1203	8,10	700	---	---	n/a	---	---	---	---	---

- Notes:**
- Ballast amounts are based on a "Representative Vehicle," defined in the vehicle selection guide instructions, and must be modified for all other configurations for axle and GVWR compliance.
  - These Snowplows Are For Personal/Homeowner Use Only.
  - May require bumper or air dam notching.

# 2003 Toyota

## Section 1

### Homesteader™ through HD blades



Blade Length	6'-8"	7'-4"
Blade Assembly	Personal	Personal
Blade Part Number	27547	27549
Common Attachment Kit / Headgear Kit	27550	27550
A-Frame Kit	n/a	n/a
Hydraulic Kit	27517	27517
Common Light	8435	
Choose a Hand-Held Control or a Joystick Control	9400	
	8292	



7-1/2' LD	7-1/2' RD M	8' HD M	8-1/2' HD M	9' HD M
27775	27500	28000	28500	29000
27750-1	27777	27777	27777	27777
n/a	n/a	n/a	n/a	n/a
9825-1	9840-2	9840-2	9840-2	9840-2
8435				
9400				
8292				

Model	Body Style	DRW	Box Option	Engine Type	Min FGAWR	Min RGAWR	Min GVWR	Peculiar Light Kit	Personal Plow system		Ballast Guidelines, lbs (1)	MM2 system		Ballast Guidelines, lbs (1)					
									Peculiar Att.Kit	Notes		Peculiar Att.Kit	Notes						
TACOMA	Reg Cab	No	8.0 Box	2.7L I4	2650	2800	5000	HB2 use 8439	2313	8	50	100	7166	21	---	---	---	---	---
TACOMA	Ext Cab	No	6.5 Box	2.7L I4	2650	2800	5000		2313	8	50	100	7166	21	---	---	---	---	---
TACOMA	Ext Cab	No	6.5 Box	3.4L V6	2650	2800	5100		2313	8	100	100	7166	21	---	---	---	---	---
TUNDRA	Reg Cab	No	8.0 Box	4.7L V8	3160	3760	6200		2303	8	---	300	n/a	---	---	---	---	---	---
TUNDRA	Ext Cab	No	6.5 Box	4.7L V8	3160	3760	6050		2303	8	---	450	n/a	---	---	---	---	---	---

- Notes:**
- Ballast amounts are based on a "Representative Vehicle," defined in the vehicle selection guide instructions, and must be modified for all other configurations for axle and GVWR compliance.
  - These Snowplows Are For Personal/Homeowner Use Only.
  - Requires 31 x 10.5/R15 tires or equivalent size minimum.

# 2003 Mitsubishi

## Section 1 of 2

### Homesteader™ through HD blades



Blade Length	6'-8"	7'-4"
Blade Assembly	Personal	Personal
Blade Part Number	27547	27549
Common Attachment Kit / Headgear Kit	27550	27550
A-Frame Kit	n/a	n/a
Hydraulic Kit	27517	27517
Common Light	8435	
Choose a Hand-Held Control or a Joystick Control	9400	
	8292	





7-1/2' LD	7-1/2' RD M	8' HD M	8-1/2' HD M	9' HD M
27775	27500	28000	28500	29000
27750-1	27777	27777	27777	27777
n/a	n/a	n/a	n/a	n/a
9825-1	9840-2	9840-2	9840-2	9840-2
8435				
9400				
8292				

Model	Body Style	DRW	Box Option	Engine Type	Min F G A W R	Min R G A W R	Min G V W R	Peculiar Light Kit	Personal Plow system		Ballast Guidelines, lbs (1)	MM2 system		Ballast Guidelines, lbs (1)					
									Peculiar Att.Kit	Notes		Peculiar Att.Kit	Notes						
FG	Chassis	Yes	Chassis	All	All	All	10000	HB5 use 8436 & 26641	n/a	---	---	---	7162-1	---	---	---	---	?	?

**Notes:**  
 1. Ballast amounts are based on a "Representative Vehicle," defined in the vehicle selection guide instructions, and must be modified for all other configurations for axle and GVWR compliance.

# 2003 Mitsubishi

## Section 2 of 2 XBLADE™ through MC blades



															
Blade Length	7-1/2'	7-1/2'	8'	8'	8-1/2'	8-1/2'	9'	9'	8-1/2'	9-1/2'	9'	10'	9'	10'	
Blade Assembly	X SS	X MS	X SS	X MS	X SS	X MS	X SS	X MS	EZ-V®	EZ-V	MC	MC	MC	MC	
Blade Part Number	27510	27512	28100	28200	28510	28520	29100	29200	28885	28895	27250	27350	27250	27350	
Common Attachment Kit / Headgear Kit	28900	27777	28900	27777	28900	27777	28900	27777	28888	28888	29999	29999	8445	8445	
A-Frame Kit	n/a	n/a	n/a	n/a	n/a	n/a	n/a	n/a	n/a	n/a	27255-1	27255-1	27255	27255	
Hydraulic Kit	9840-2	9840-2	9840-2	9840-2	9840-2	9840-2	9840-2	9840-2	9828-4	9828-4	9835-1	9835-1	9835-1	9835-1	
Common Light	8435												8435	8435	
Choose a Hand-Held Control or a new Hand-Held Control or a Joystick Control	9400									9700		9400		9400	9400
	n/a									9800		n/a		n/a	n/a
	8292									9900		8292		8292	8292

Model	Body Style	DRW	Box Option	Engine Type	Min F G A W R	Min R G A W R	Min G V W R	Peculiar Light Kit	MM2 system		Ballast Guidelines, lbs (1)												Ballast Guidelines, lbs (1)			
									Peculiar Att.Kit	Notes																
FG	Chassis	Yes	Chassis	All	All	All	10000	HB5 use 8436 & 26641	7162-1	---	---	---	---	---	---	---	---	---	---	---	---	---	---	---	---	---

**Notes:**  
1. Ballast amounts are based on a "Representative Vehicle," defined in the vehicle selection guide instructions, and must be modified for all other configurations for axle and GVWR compliance.

# 2003 International

## Section 2 XBLADE™ through MC blades

														
Blade Length	7-1/2'	7-1/2'	8'	8'	8-1/2'	8-1/2'	9'	9'	8-1/2'	9-1/2'	9'	10'	9'	10'
Blade Assembly	X SS	X MS	X SS	X MS	X SS	X MS	X SS	X MS	EZ-V®	EZ-V	MC	MC	MC	MC
Blade Part Number	27510	27512	28100	28200	28510	28520	29100	29200	28885	28895	27250	27350	27250	27350
Common Attachment Kit / Headgear Kit	28900	27777	28900	27777	28900	27777	28900	27777	28888	28888	29999	29999	8445	8445
A-Frame Kit	n/a	n/a	n/a	n/a	n/a	n/a	n/a	n/a	n/a	n/a	27255-1	27255-1	27255	27255
Hydraulic Kit	9840-2	9840-2	9840-2	9840-2	9840-2	9840-2	9840-2	9840-2	9828-4	9828-4	9835-1	9835-1	9835-1	9835-1
Common Light	8435												8435	8435
Choose a Hand-Held Control	9400								9700		9400		9400	
or a new Hand-Held Control	n/a								9800		n/a		n/a	
or a Joystick Control	8292								9900		8292		8292	

Model	Body Style	DRW	Box Option	Engine Type	Min F G A W R	Min R G A W R	Min G V W R	Peculiar Light Kit	MM2 system		Ballast Guidelines, lbs (1)												Ballast Guidelines, lbs (1)							
									Peculiar Att.Kit	Notes																				
4000 SERIES	Chassis	Yes	Chassis	All	All	All	10000	2B use 8439 & 26640 or HB5 use 8436 & 26640	7172	39	---	---	---	---	---	---	---	---	---	---	---	---	---	---	---	---	?	?	?	?

Notes:  
 1. Ballast amounts are based on a "Representative Vehicle," defined in the vehicle selection guide instructions, and must be modified for all other configurations for axle and GVWR compliance.  
 39. 27,500 max GVWR.

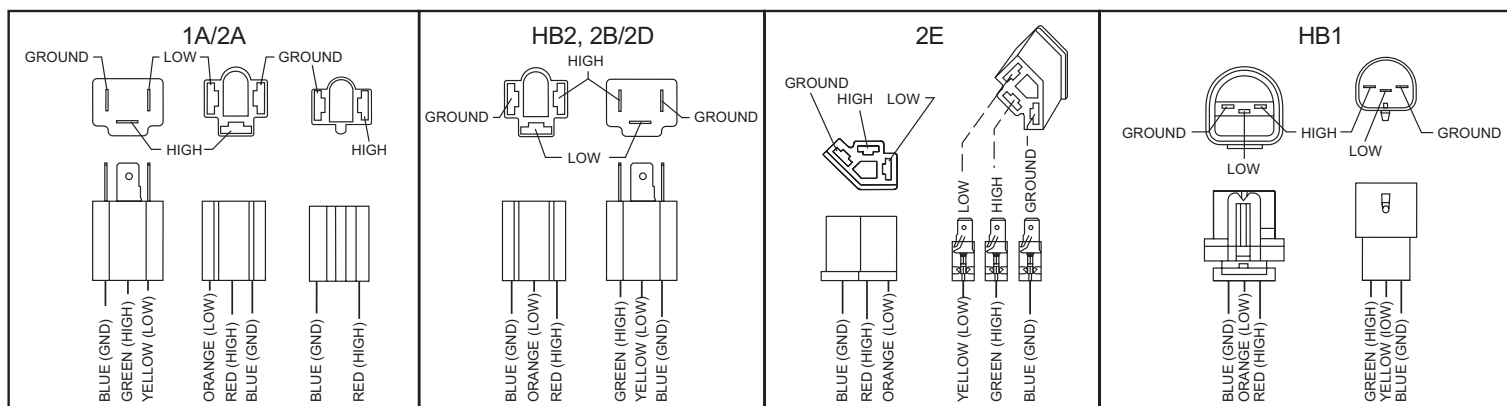
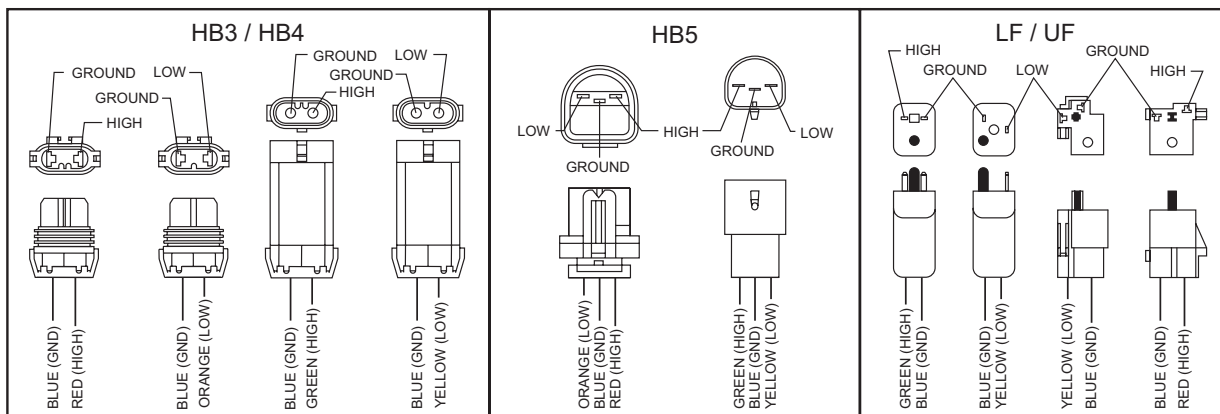


# Headlamp Reference Guide

**NOTE:** The lamp type is usually embossed in the headlamp lens.

**NOTE:** Blue ground wires may be LT or DK BLU, w/ or w/o WHT stripe, depending on harness.

Headlamp Type	Bulb Type	Headlamp Type	Bulb Type
LF	H4703	2E1	H6545
UF	H4701	H13	9008
1A1	H4651	HB1	9004
2A1	H4652(GMC/Chevy)	HB2	9003
2A1	H4656 (Mitsubishi)	HB3	9005
2B1	H6054	HB4	9006
2D1	H6024	HB5	9007



## Snowplow Component Weights

### Off-Truck Assembly with Blade

Size	Blade Assembly	Weight (lbs.)	Z	Size	Blade Assembly	Weight (lbs.)	Z
6'-8"	Personal Plow	239	20.4	8'	XBLADE Plow	790	26.0
7'-4"	Personal Plow	257	20.8	8-1/2'	XBLADE Plow	813	26.5
7-1/2'	LD	487	19.7	9'	XBLADE Plow	835	27.0
7-1/2'	RD M	630	20.6	8-1/2'	EZ-V® Plow	808	16.0
8'	HD M	717	26.4	9-1/2'	EZ-V Plow	870	16.0
8-1/2'	HD M	731	26.5	9'	MC w/MM or MM2	1350	25.5
9'	HD M	745	26.6	10'	MC w/MM or MM2	1410	26.0
7-1/2'	XBLADE™ Plow	742	24.5				

### On-Truck Attachment

Kit #	Weight (lbs.)	X	Y	Kit #	Weight (lbs.)	X	Y	Kit #	Weight (lbs.)	X	Y
<b>Homesteader™ Kits</b>											
1203	34.0	27.0	6.0	1503	26.0	27.0	6.0	2313	30.0	27.0	5.0
1213	26.0	26.0	6.0	1523	26.0	30.0	6.0	3713-1	20.0	26.0	5.0
1223	40.0	28.0	7.0	1533	31.0	26.0	5.0	3723	35.0	21.4	5.0
1233	34	32	7.1	2303	41.0	29.0	6.0				
<b>Minute Mount® and Minute Mount® 2 Kits</b>											
7124	48.0	29.0	7.0	7148	74.0	32.0	8.0	7163-1	32.0	23.0	4.0
7125	48.0	32.0	8.0	7150	60.0	31.0	8.0	7164	173.0	31.0	8.0
7126	88.0	31.0	8.0	7151-2	191.0	30.0	8.0	7165	55.0	30.0	7.0
7128	110.0	31.0	8.0	7152-1	215.0	31.0	8.0	7166	49.0	31.0	7.0
7129	78.0	32.0	8.0	7155	55.0	30.0	7.0	7167	46.0	37.0	9.0
7130	41.0	30.0	7.0	7156-1	VARIABLES	VARIABLES	VARIABLES	7168	44.0	35.0	9.0
7131	126.0	31.0	8.0	7157	62.0	30.0	7.0	7169	45.0	35.0	10.0
7132	118.0	31.0	8.0	7158	55.0	29.0	7.0	7170-1	54.0	36.0	7.0
7138	48.0	32.0	8.0	7159-2	96.0	31.0	7.0	7171	111.0	39.0	7.0
7144	73.0	32.0	8.0	7160	44.0	32.0	8.0	7172	174	39.0	9.8
7146-1	214.0	32.0	8.0	7161	44.0	32.0	9.0	7173	73.0	31.0	9.8
7147	54.0	29.0	7.0	7162-1	127.0	38.0	7.0	7174	37.0	32.0	7.1

### Accessories

Description	Kit #	Added Plow Weight
Cutting Edge 7-1/2' LD/RD	5532	59
Cutting Edge 8' HD	5533	84
Cutting Edge 8-1/2' HD	26460	91
Cutting Edge 9' HD	5534	95
Cutting Edge 7-1/2' XBLADE Plow	28575	59
Cutting Edge 8' XBLADE Plow	27580	84
Cutting Edge 8-1/2' XBLADE Plow	27585	91
Cutting Edge 9' XBLADE Plow	27590	95
Cutting Edge 8-1/2' EZ-V Plow	28408	82
Cutting Edge 9-1/2' EZ-V Plow	26593	103
Cutting Edge 9' MC	27362	122
Cutting Edge 10' MC	27239	132
Deflector - Rubber 7-1/2', 8', 8-1/2', 9' RD/HD	22470-1	29,31,33,35
Deflector - Rubber 7-1/2', 8', 8-1/2', 9' XBLADE Plow	27600-1	32,33,34,35
Deflector - Rubber 8-1/2' EZ-V Plow	21619	45
Deflector - Rubber 9-1/2' EZ-V Plow	26572	50
Deflector - Rubber 9' & 10' MC	22390	53
Deflector - Steel 6'-9"	22269	24
Deflector - Steel 7-1/2' LD/RD	283	28
Deflector - Steel 8'	26480	33
Deflector - Steel 8-1/2'	26485	35
Deflector - Steel 9'	26490	36
Poly Shoe Kit Personal Plow	27710	3.3
Shoe Kit LD Blades	27880	22
Shoe Kit XBLADE – Curb Shoe	27487-1	12
Shoe Kit XBLADE – Wear Shoe	28367-1	35
SnoFoil Assembly for 7-1/2', 8', 8-1/2', 9' M	27100	50
SnoFoil Assembly 9' MC	22380	64
SnoFoil Assembly 10' MC	22200	66

**NOTE:** The addition of accessories to a snowplow or vehicle will require additional ballast above any amount published in this guide in order to maintain FMVSS compliance. Completed vehicle with additional accessories shall not exceed GVWR or GAWR.

**NOTE:** An abbreviation key is on page 2.

**NOTE:** See next page for variable definitions.

# Snowplow Weight Calculation

Available vehicle capacities for aftermarket equipment and components can be determined by using the information in this guide along with information provided by the vehicle manufacturer's *Body Builder Guides*. Follow all requirements and recommendations of the vehicle manufacturer.

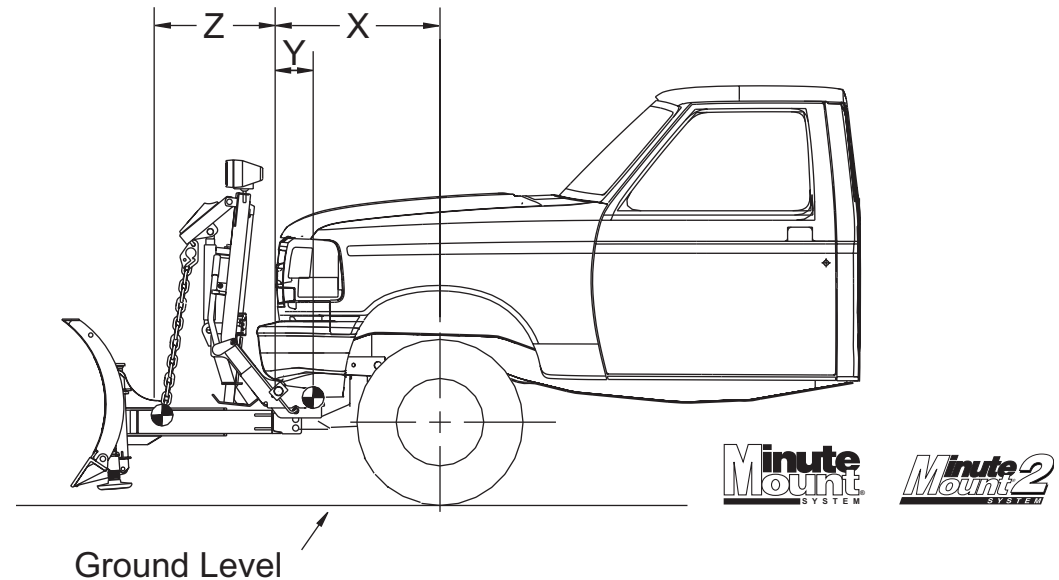
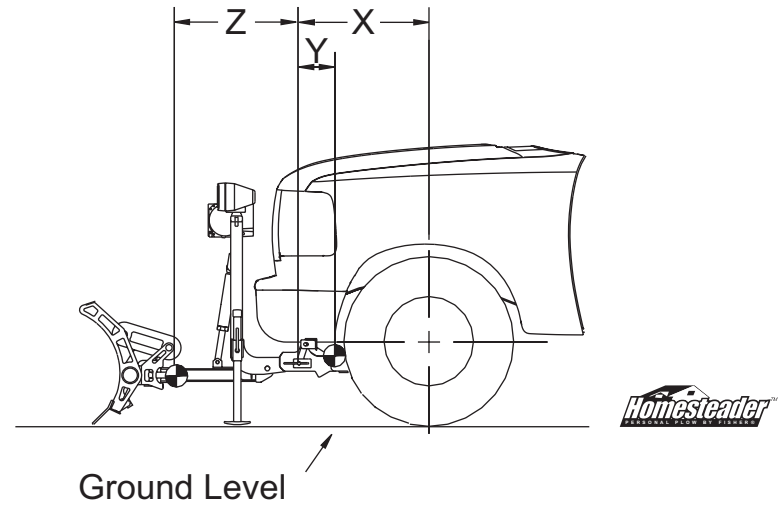
## VARIABLES

X = Distance from front axle to connecting pin.

Y = Distance from connecting pin to attachment Cg.

Z = Distance from connecting pin to plow Cg.

**NOTE:** An abbreviation key is on page 2.



# Ballast Inquiry Sheet



**FISHER ENGINEERING**  
 P.O. Box 529  
 Rockland, Maine 04841

Telephone (207) 701-4200  
 Fax (207) 596-2767

<b>DISTRIBUTOR</b>		<b>TEL</b>
		<b>FAX</b>
<b>CUSTOMER</b>		<b>DATE BUILT</b>
<b>VIN</b>		

## VEHICLE INFORMATION

<b>YEAR</b>			
<b>MAKE</b>			
<b>MODEL</b>			
<b>DRIVE TRAIN</b>	<input type="checkbox"/> 2WD (over 10,000 lb. GVW only)	<input type="checkbox"/> 4WD	<input type="checkbox"/> ALL WHEEL <input type="text"/> OTHER
<b>DRW</b> (Dual Rear Wheels)	<input type="checkbox"/> YES	<input type="checkbox"/> NO	
<b>BODY STYLE</b>	<input type="checkbox"/> REG CAB	<input type="checkbox"/> X-CAB	<input type="text"/> OTHER
<b>BOX OPTION(S)</b>	<input type="checkbox"/> DUMP BOX	<input type="checkbox"/> STAKE BED	<input type="text"/> OTHER
<b>ENGINE TYPE</b>			
<b>GFAWR</b>			
<b>GRAWR</b>			
<b>GVWR</b>			

### HORIZONTAL DISTANCE DESCRIPTION

<b>L31</b>	DRIVER'S hip point; in MIDDLE position, to Centerline of FRONT axle	(in.)
<b>L101</b>	Between axles (Wheelbase)	(in.)
<b>L104</b>	Middle of FRONT bumper to centerline of FRONT axle	(in.)
	Middle of ballast location to centerline of REAR axle	(in.)

### VEHICLE WEIGHT (TRUCK MUST BE WEIGHED COMPLETE AND EMPTY (-) OCCUPANTS, PLOW & MOUNT)

FRONT (lb.)	REAR (lb.)

### FUEL TANKS (ONLY NEEDED IF WEIGHED VEHICLE NOT FULLY FUELED)

	LEVEL (see below)	CAPACITY (gal.)	LOCATION FROM REAR AXLE TO CENTER OF TANK (in.)
FRONT OF REAR AXLE			
REAR OF REAR AXLE			

FUEL LEVEL (EMPTY = 0, HALF = 1/2, FULL = 1)

**THIS FORM MUST BE COMPLETED IN ITS ENTIRETY. ANY FORMS CONTAINING INCOMPLETE INFORMATION WILL NOT BE CONSIDERED. PLEASE RETURN VIA FAX (207) 596-2767.**

FISHER ENGINEERING and the vehicle manufacturer may require or recommend optional equipment for snow removal. See the FISHER ENGINEERING *Kit Selection Guide* for additional product information.

---

## Footnote Key

1. Ballast amounts are based on a "Representative Vehicle," defined in the vehicle selection guide instructions, and must be modified for all other configurations for axle and GVWR compliance.
2. Recommended snowplow prep package whenever available.
3. Requires bumper notching.
4. Recommended Z85 suspension.
5. Classic Style Only (2nd # in model # is 0 not 5) example: K10903. Refer to label in glove box for model number. Snowplow prep package recommended when available.
6. All New Style Only (2nd # in model # is 5 not 0) example: K15903. Refer to label in glove box for model number. Snowplow prep package recommended when available.
7. "EARLY" indicates a build date before 12-01-2003, "LATE" indicates a build date on or after 12-01-2003
8. These Snowplows Are For Personal/Homeowner Use Only.
9. Bumper notching on SPORT required
10. May require bumper or air dam notching.
11. 27,500 max GVWR. 3 x 50 or 3 x 54 springs only.
12. 27,500 max GVWR. T-40 is standard "sloped" hood configuration. T-50 is specialty "flat" front hood.
13. Coil springs.
14. Mount attaches over and in front of bumper.
15. Not for use on trucks with quad shocks.
16. Not intended for use with High Rider or ZR2 style trucks.
17. Recommended air spring kit PN 63720 on snowplows 8.5' & larger.
18. Recommended F60 suspension or snowplow prep package.
19. Recommended with 31X10.5/R15 LT tires or equivalent to provide proper attachment clearance.
20. Recommended with optional heavy duty front suspension package only - (F150 3800 lbs., F250 4600 lbs., F350 4X4 4800 lbs., F350 2WD 4000 lbs.).
21. Requires 31 x 10.5/R15 tires or equivalent size minimum.
22. Requires 7700 Payload Group (option 627).
23. Requires bumper notching on Sport and LE Sport option.
24. Requires front air bags.
25. Requires LT 235 series tires or larger.
26. Requires MOPAR air shock kit PN 82202562 to increase FGAWR from 2200 to 2500.
27. Universal Kit. Custom installation required. 27,500 Max. GVWR. Minimum 22.5" from road to vehicle frame.
28. Without swaybar.
29. Requires adapter PN 28027.
30. High output diesel engines require automatic transmission.
31. A Ballast Inquiry Sheet must be submitted to approve this application.
32. Not for use on extended cab vehicles with diesel engines.
33. Regular cab only.
34. 3X50 or 3X54 inch springs only.
35. Not for use on diesels.
37. Requires 5000 lb FGAWR min. for use with diesel engines.
38. 4X4 or 4X2.
39. 27,500 max GVWR.



Fisher Engineering  
P.O. Box 529  
Rockland, ME 04841

 A DIVISION OF DOUGLAS DYNAMICS, L.L.C.

Fisher Engineering reserves the right under its product improvement policy to change construction or design details and furnish equipment when so altered without reference to illustrations or specifications used. Fisher Engineering and the vehicle manufacturer may require and/or recommend optional equipment for snow removal. Do not exceed vehicle ratings with a snowplow. Fisher Engineering offers a limited warranty on all snowplows and accessories. See separately printed page for this important information. The following are registered (®) and unregistered (™) trademarks of Douglas Dynamics, L.L.C.: EZ-V®, FISHER®, Fish-Stik®, Homesteader™, Insta-Act®, Minute Mount®, Minute Mount® 2, SnoFoil®, XBLADE™.

Printed in U.S.A.