

In-Line Adapter Instructions

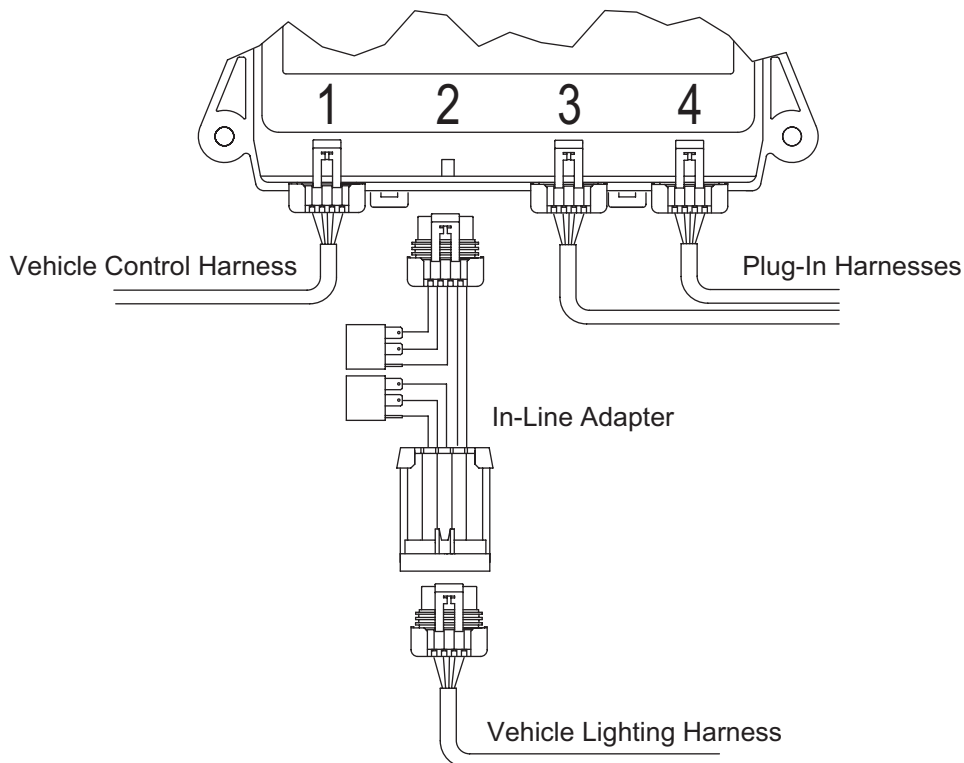
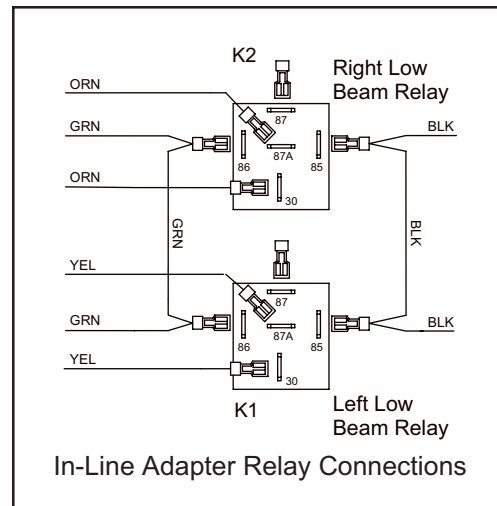
Kit 28027

⚠ CAUTION

This adapter is required for vehicles equipped with a 4-headlamp lighting system that illuminates the low *and* high beams when in high-beam mode. This adapter prevents the low beams on the snowplow from illuminating when placed in high beam.

1. Connect the vehicle control harness and both of the plug-in harnesses according to the Isolation Module installation instructions.
2. Plug the 10-position female connector of the in-line adapter into Position 2 on the Isolation Module.
3. Connect the 10-position female connector of the vehicle lighting harness to the 10-position male connector of the in-line adapter.

NOTE: The relays attached to the in-line adapter come pre-installed. If they accidentally become detached, reconnect them according to the relay connection illustration.



The company reserves the right under its product improvement policy to change construction or design details and furnish equipment when so altered without reference to illustrations or specifications used.