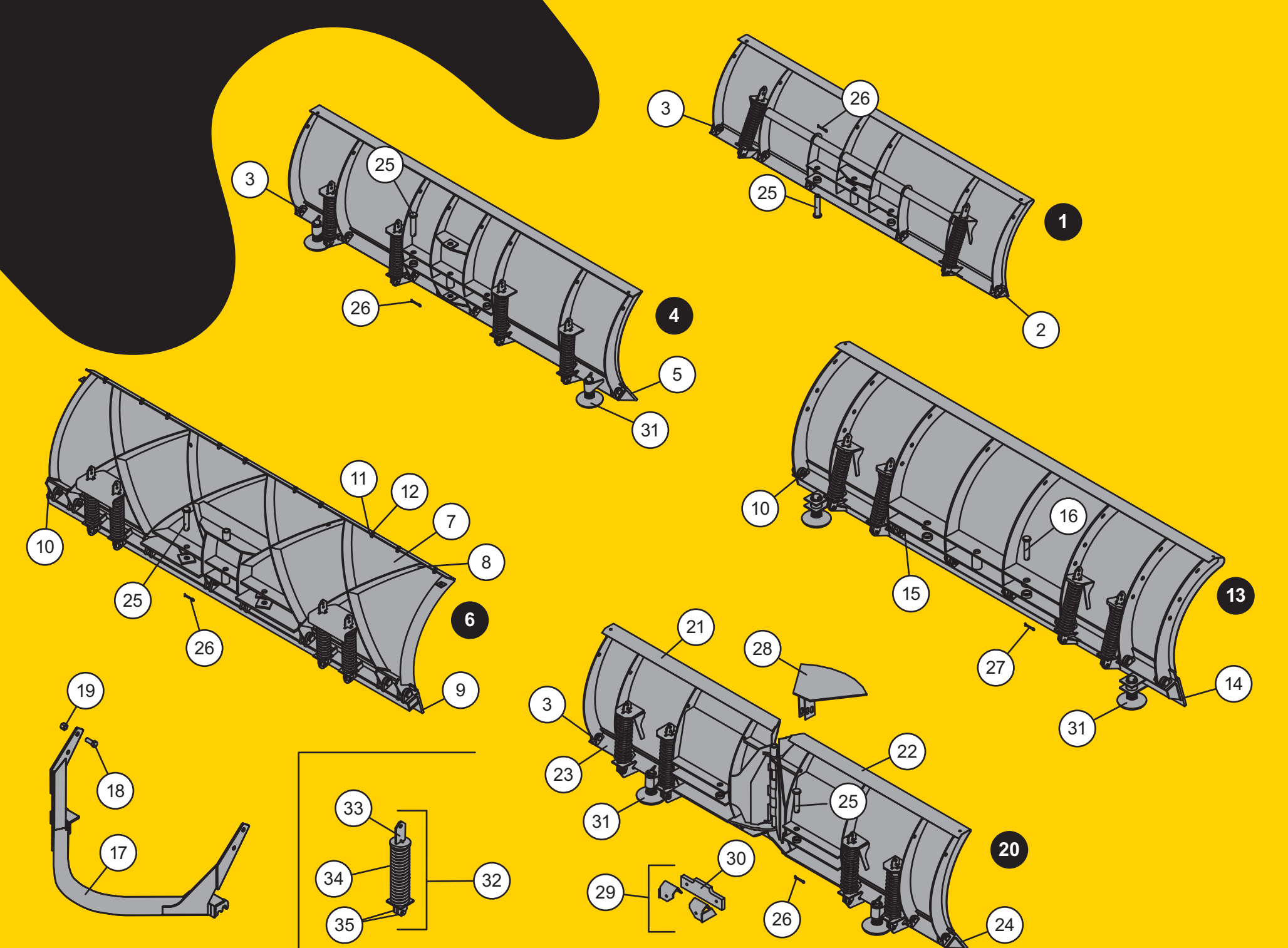
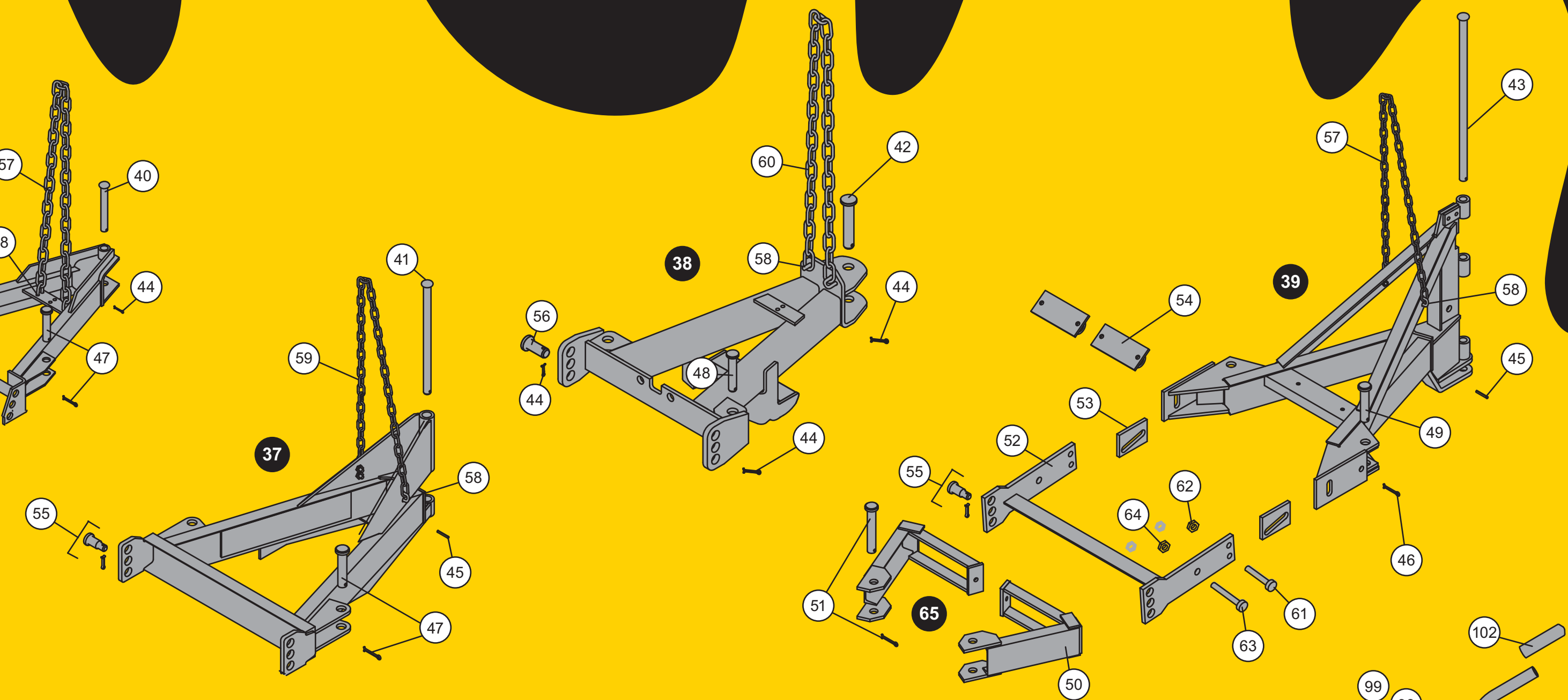


Minute Mount² SYSTEM



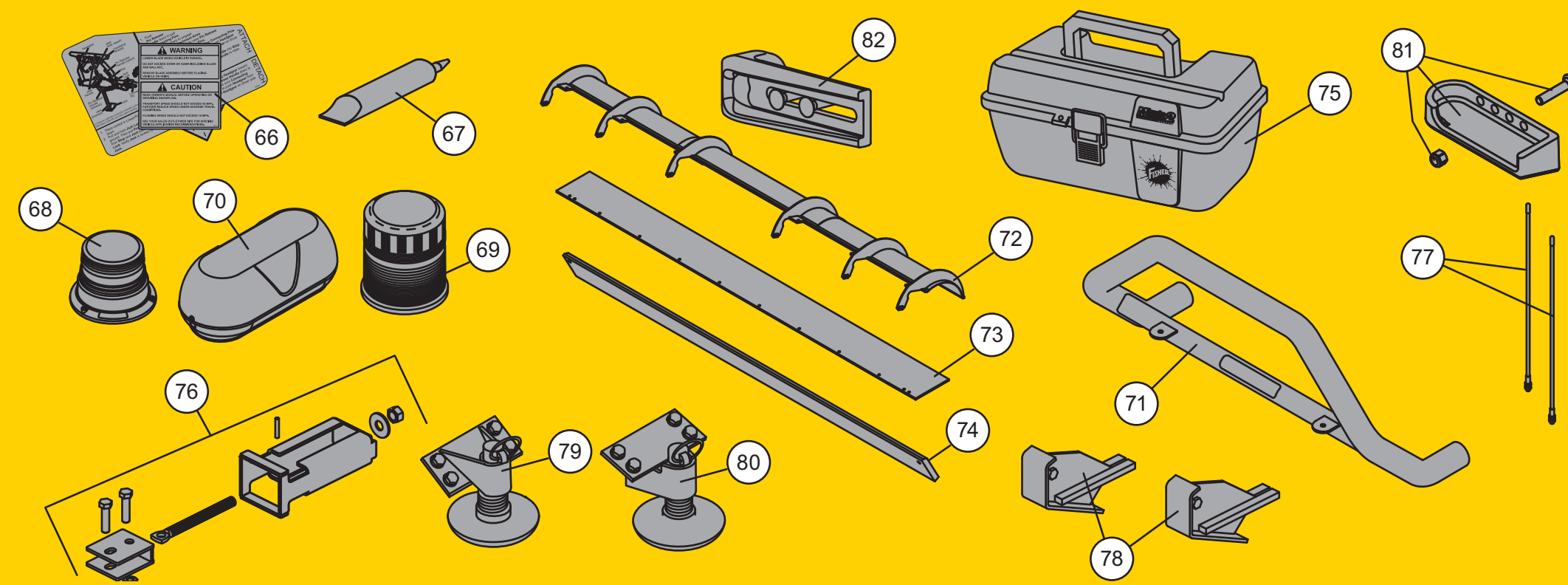
BLADES			
Item	Part	Description	
1	28069	6'9" Blade (SD ²)	
	27775	7'6" Blade (SD ²)	
2	22180	6'9" Base Angle (SD ¹)	
	22083	6'9" Base Angle (SD ²)	
	22181	7'6" Base Angle (SD ¹)	
	27824	7'6" Base Angle (SD ²)	
3	84844	3/4 x 2-3/16 Machine Pin w/Cotter Pin	
	27500	7'6" M-Series Blade (HD)	
4	28000	8' M-Series Blade (HD)	
	28500	8'6" M-Series Blade (HD)	
	29000	9' M-Series Blade (HD)	
	29440	7'6" Base Angle (HD)	
5	26441	8' Base Angle (HD)	
	26442	8'6" Base Angle (HD)	
	26443	9' Base Angle (HD)	
	27510-1	7'6" Stainless Steel Blade (XBLADE™)	
6	-	7'6" Mild Steel Blade (X)	
	28100-1	8' Stainless Steel Blade (X)	
	-	8' Mild Steel Blade (X)	
	29618-1	8' Polyethylene Blade (X)	
	28510-1	8'6" Stainless Steel Blade (X)	
	-	8'6" Mild Steel Blade (X)	
	29100-1	9' Stainless Steel Blade (X)	
	-	9' Mild Steel Blade (X)	
	29619-1	9' Polyethylene Blade (X)	
	26325	6" Stainless Steel Moldboard (X)	
26301	7'6" Mild Steel Moldboard (X)		
7	28103	8" Stainless Steel Moldboard (X)	
	28101	8" Mild Steel Moldboard (X)	
	28415	8'6" Stainless Steel Moldboard (X)	
	28414	8'6" Mild Steel Moldboard (X)	
	29103	9" Stainless Steel Moldboard (X)	
	29101	9" Mild Steel Moldboard (X)	
	8	26327	7'6" Blade Frame w/o Base Angle (X)
		27538	8" Blade Frame w/o Base Angle (X)
		28396	8'6" Blade Frame w/o Base Angle (X)
		27539	9" Blade Frame w/o Base Angle (X)
9		26326	7'6" Base Angle (X)
	27558	8' Base Angle (X)	
	27285	8'6" Base Angle (X)	
	27559	9' Base Angle (X)	
	10	27241	1 x 2-3/4 Clevis Pin w/Cotter Pin (X, MC)
7905K		1 x 6 Pin w/Cotter Pin (8'6" X outer pins only)	

¹ Distinguished by a box-style rear support; blade height is 23" (not shown above).
² Distinguished by a tube-style rear support; blade height is 26" (shown above).
³ Distinguished by a 1" base angle pin, a 1/2" top anchor, and notches in the pivot plates (not shown above).
⁴ Distinguished by a 1" base angle pin, a 1/2" top anchor, and no notches in the pivot plates (shown above).



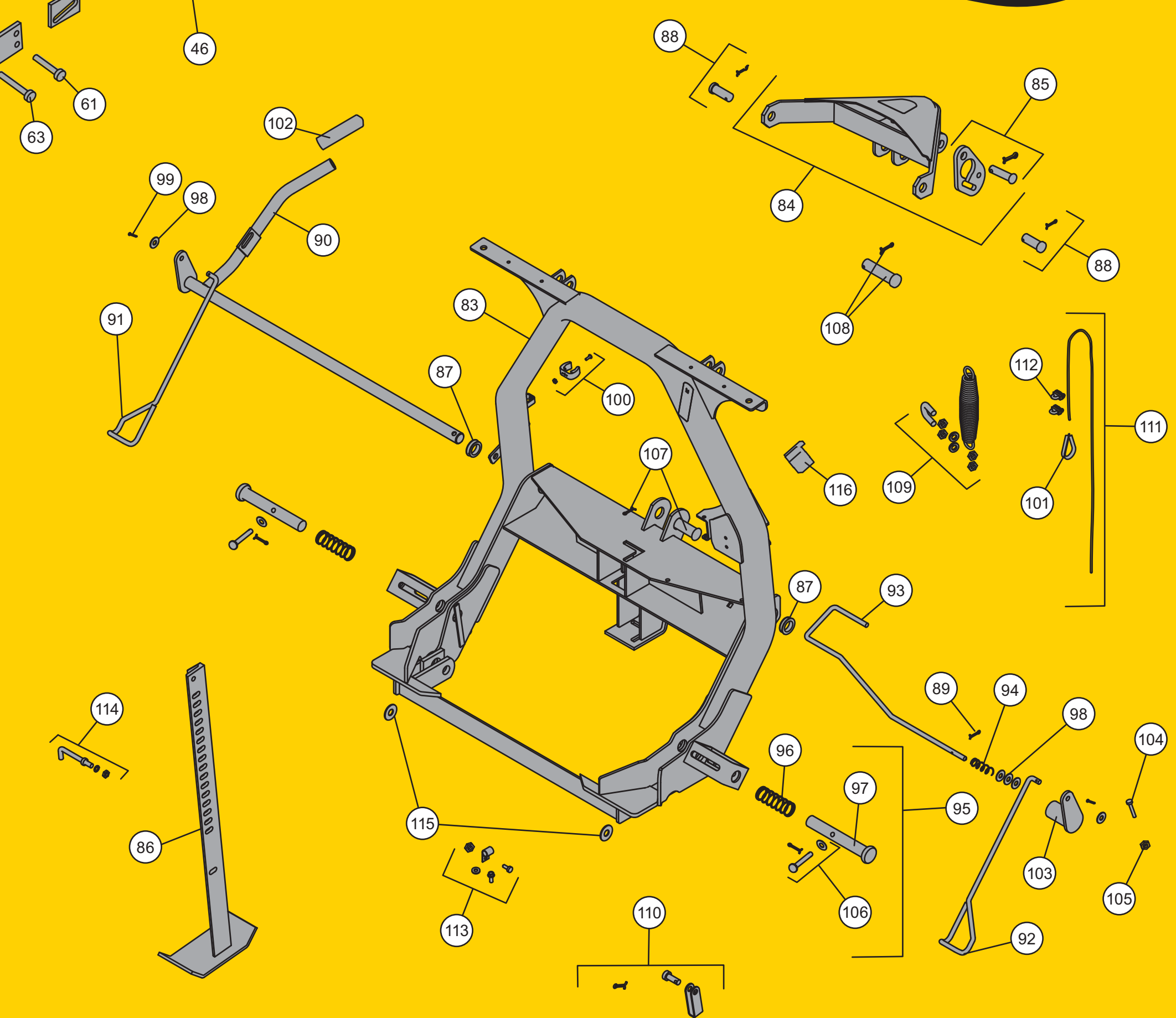
A-FRAMES		
Item	Part	Description
36	27995-1	A-Frame w/Hardware (SD)
37	27598	A-Frame w/Hardware (HD, X)
38	27850	A-Frame (MC)
39	27400	A-Frame (EZ-V)
40	27979	1 x 8 Clevis Pin
41	28060	1 x 15-13/16 Pivot Pin
42	20789	1-1/4 x 6-3/4 Pivot Pin
43	20988	V-Plow Pivot Pin
44	90013	1/4 x 2 Cotter Pin
45	26463	1/4 x 2 Slotted Spring Pin
46	90601	1/4 x 1-1/2 Cotter Pin
47	7903K	Anchor Pin w/Cotter Pin
48	20790	Commercial Ram Pin
49	22260	1 x 4-3/4 Clevis Pin
50	26583	Blade Stop
51	7905K	Pivot Pin w/Cotter Pin
52	27345	Push Assembly
53	27346	Slotted Plate
54	27533	A-Frame Stop
55	27177K	Step Pin Kit
56	26164	1-1/4 x 3-1/16 Pin
57	27912	Chain Bag (SD, EZ-V)
58	A6418K	U-Bolt w/Hardware
59	26999	Chain Bag (HD, X)
60	28351	Chain Bag (MC)
61	98003	5/8-11 x 2 Flanged Head Cap Screw G8
62	98004	5/8-11 Hex Flange Locknut GG
63	98037	3/4-10 x 2-1/2 Hex Cap Screw
64	98019	3/4-10 Hex Flange Locknut GG
65	26634	Blade Stop Kit

G = Grade



ACCESSORIES		
Item	Part	Description
66	28549	Universal Label Replacement Kit
67	22400K	2 oz Dielectric Grease Tube
68	26018-1	Mini Strobe Light
69	26019	Full-Size Strobe Light
70	26020-1	Mini Bar Light
71	26239	ProTube™ Bumper/Grille Guard – Stainless
	26240	ProTube Bumper/Grille Guard – Black
72	27100	7'6", 8', 8'6" & 9' SnoFoil® Assembly (HD)
	22380	9' SnoFoil Assembly (MC)
	22200	10' SnoFoil Assembly (MC)
73	22470-1	7'6", 8', 8'6" & 9' Rubber Deflector (SD, HD)
	26001-1	7'6", 8', 8'6" & 9' Rubber Deflector (X)
	22390	9' & 10' Rubber Deflector (MC)
	21619	8'6" Rubber Deflector (EZ-V)
	26572	9'6" Rubber Deflector (EZ-V)
	22289	6'9" Steel Deflector (SD)
	283	7'6" Steel Deflector (SD, HD)
	26480	8' Steel Deflector (HD)
	26485	8'6" Steel Deflector (HD)
	26490	9' Steel Deflector (HD, MC)
74	22215	6'9" Poly Cutting Edge (SD)
	22216	7'6" Poly Cutting Edge (SD)
	5532	7'6" Steel Cutting Edge (HD)
	5533	8' Steel Cutting Edge (HD)
	26460	8'6" Steel Cutting Edge (HD)
	5534	9' Steel Cutting Edge (HD)
	28575	7'6" Steel Cutting Edge (X)
74	27580	8' Steel Cutting Edge (X)
	27585	8'6" Steel Cutting Edge (X)
	27590	9' Steel Cutting Edge (X)
	27362	9' Steel Cutting Edge (MC)
	27239	10' Steel Cutting Edge – 2 Sections (MC)
	28408	8'6" Steel Cutting Edge (EZ-V)
	26593	9'6" Steel Cutting Edge (EZ-V)
75	27930	Minute Mount® 2 Emergency Parts Kit
76	20043-1	Spring Replacement Tool
77	27195	26" Flexible Blade Guide Set (LD ¹ , EZ-V, MC)
	7906K	Blade Guide Set (RD, HD, X)
	26530K	Commercial Blade Guide Set (All)
78	20555	Skid Plate Kit
79	26145	Shoe Kit (SD ¹)
80	27880	Shoe Kit (SD ²)
81	27222	Curb/Wear Shoe Kit (X)
82	44405	Curb Guard Kit – Pair 1/2 Inch
	44406	Curb Guard Kit – Pair 5/8 Inch
ns	26812-1	Plow Parka
ns	20498	12 oz Black Spray Paint (powder-coat)
ns	27242	12 oz Yellow Spray Paint (powder-coat)
ns	74417	12 oz Silver Spray Paint (powder-coat)
ns	5492Y	1 quart Yellow Paint Can
ns	5490Y	1 gallon Yellow Paint Can
ns	28531	1 quart EZ Flow Hydraulic Fluid
ns	28532	1 gallon EZ Flow Hydraulic Fluid
ns	62849	Ballast Retainer Kit

¹ Distinguished by a box-style rear support; blade height is 23".
² Distinguished by a tube-style rear support; blade height is 26".
 ns = not shown



HEADGEAR		
Item	Part	Description
83	27742	Headgear (LD)
	27454	Headgear (RD, HD, X, EZ-V ^{ns})
	27666	Headgear Service Kit (incl. jack, link arm, & connecting pin assemblies)
	28571	Headgear (MC)
84	26757-1	Lift Arm Kit – Yellow (SD, HD, X, EZ-V)
	27560-1	Lift Arm Kit – Silver (X)
	28350-1	Lift Arm Kit – (MC)
	28991	Stop Link Kit
85	28991	Stop Link Kit
86	27741	Jack (SD)
	27642	Jack (HD, X, EZ-V)
	26172	Jack (MC)
87	27163K	Bushing Kit (2 bushings)
88	4289K	3/4 x 1-7/8 Machine Pin w/Cotter Pin
89	90658	5/32 x 1-1/4 Cotter Pin
90	27468	Handle-Link Arm Assembly
91	27166K	Wire Cam Kit – DS
92	27167K	Wire Cam Kit – PS
93	27478	Jack Lock
94	27461	3/4 OD x 3-1/2 Compression Spring
95	27681	Connecting Pin Kit
96	821	1 ID x 3-1/2 Compression Spring
97	26833	1 OD x 6-15/16 Pin
98	90315	3/8 Flat Washer
99	91902	1/8 x 1 Cotter Pin
100	27162K	Stop Clip Kit
101	26188	Thimble
102	27535	Handle Cover Kit
103	27465	Link Arm
104	90043	3/8-16 x 2 Hex Cap Screw G5
105	91333	3/8-16 Hex Locknut GB
106	26219	Clevis Pin Kit
107	7904K	Clevis Pin w/Cotter Pin
108	29038	Heat-Treated Clevis Pin w/Cotter Pin
109	27534	Spring / U-Bolt Kit
110	27171K	Clevis Kit
111	27169K	Cable Kit
112	27075	1/8 Wire Rope Clip
113	27172K	Clamp Loop Kit
114	27164K	Jack Handle Kit
115	91192	Round Flat Washer (EZ-V only)
116	8284K	Cable Boot

G = Grade

Copyright © 2021 Douglas Dynamics, LLC. All rights reserved. This material may not be reproduced or copied, in whole or in part, in any printed, mechanical, electronic, film, or other distribution and storage media, without the written consent of Fisher Engineering. Authorization to photocopy items for internal or personal use by Fisher Engineering outlets or spreader owner is granted.

Fisher Engineering reserves the right under its product improvement policy to change construction or design details and furnish equipment when so altered without reference to illustrations or specifications used. Fisher Engineering or the vehicle manufacturer may require or recommend optional equipment for snow removal. Do not exceed vehicle ratings with a spreader. Fisher Engineering offers a limited warranty for all spreaders and accessories. See separately printed page for this important information. The following are registered (®) or unregistered (™) trademarks of Douglas Dynamics, LLC: EZ-V®, FISHER®, Minute Mount® 2, ProTube™, SnoFoil®, XBLADE™.

Fisher Engineering
 50 Gordon Drive
 Rockland, ME 04841
 www.fisherplows.com