

**HALOGEN BULB HANDLING AND INSTALLATION INSTRUCTIONS**

**SAFETY INFORMATION**

**⚠ WARNING**

Indicates a potentially hazardous situation that, if not avoided, could result in death or serious personal injury.

**⚠ CAUTION**

Indicates a potentially hazardous situation that, if not avoided, may result in minor or moderate injury. It may also be used to alert against unsafe practices.

**NOTE:** Indicates a situation or action that can lead to damage to your snowplow and vehicle or other property. Other useful information can also be described.

**HALOGEN BULB REPLACEMENT**

**NOTE:** Do not touch the bulb with bare hands as it will damage the bulb. It is important not to damage the tip of the bulb during its insertion into the light housing. The light source must be inserted straight into the housing as shown opposite. An angled approach may damage the capsule wall or cause a broken tip. Avoid excessively squeezing the socket during insertion. Be aware that the halogen light source twists into the housing. When inserting, make sure the keys on the light source are aligned with the slots in the light housing. Refer to Step 5.

**⚠ CAUTION**

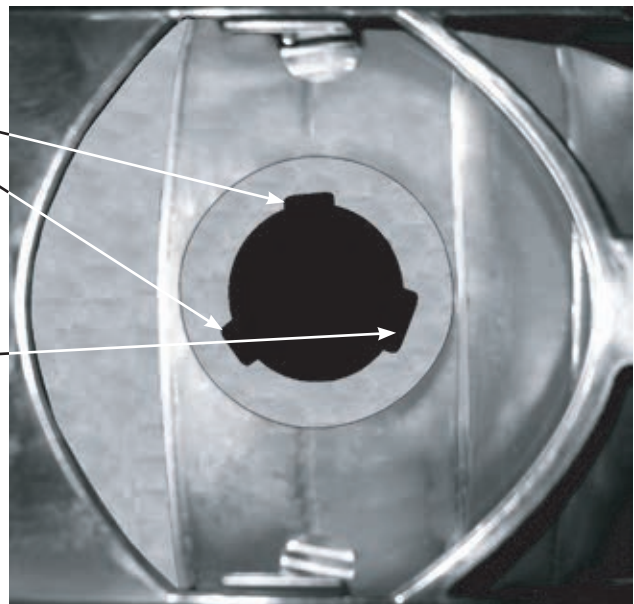
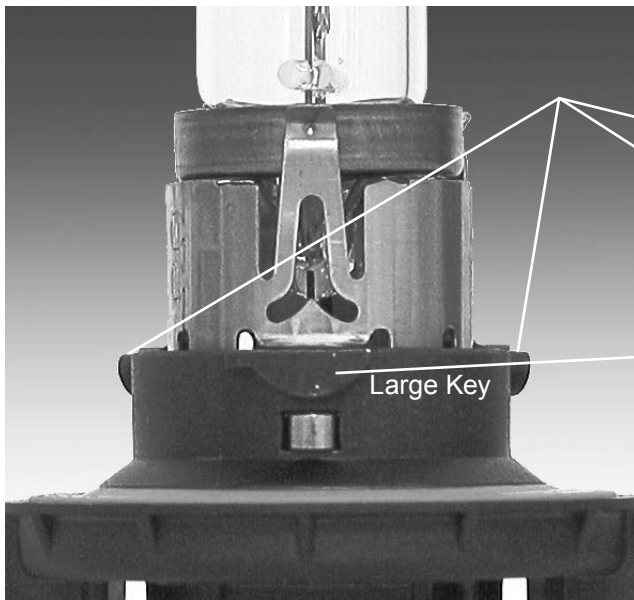
Do not handle the bulb with bare hands. Use gloves to prevent possible injury.

**⚠ CAUTION**

Replacing any halogen bulb requires the use of safety glasses to prevent injury.



1. Remove the rear cover from the light housing by unscrewing the screws and sliding the rear cover off the housing.
2. Unplug the wire connector from the back of the halogen light source.
3. Using the finger tabs or the base of the light source, turn counterclockwise and remove the light source from the housing. Set it aside for proper disposal after installation is complete.
4. Verify the replacement light source is the correct voltage, wattage, and style (H9, H11, or H13).
5. Without touching the bulb, pick up a replacement halogen light source by the base, insert into the light housing making sure the keys are aligned with the slots as shown below, and turn the light source clockwise until tight.



6. Reconnect the wire connector to the back of the light source.
7. Replace the rear cover using the screws previously removed in Step 1.

The company reserves the right under its product improvement policy to change construction or design details and furnish equipment when so altered without reference to illustrations or specifications used. This equipment manufacturer or the vehicle manufacturer may require or recommend optional equipment for snow removal. Do not exceed vehicle ratings with a snowplow. The company offers a limited warranty for all snowplows and accessories. See separately printed page for this important information.

**Printed in U.S.A.**