



FISHER® Snowplows w/4-Port Isolation Module Kit Selection Guide 2006 Model Year



March 1, 2006
Lit. No. 28926
Rev. 01

Fisher Engineering
P.O. Box 529
Rockland, Maine 04841

This document supersedes all editions with an earlier date.

** THIS IS THE FINAL 2006 KIT SELECTION GUIDE FOR USE WITH THE 4-PORT ISOLATION MODULE ELECTRICAL SYSTEM.
NO FURTHER UPDATES WILL BE PROVIDED FOR THIS GUIDE. **

Table of Contents

General Information	3	Toyota Attachment Kits	32
Selection Example	4	Mitsubishi Attachment Kits	33
General Motors Attachment Kits	5	International Attachment Kits	35
Ford Attachment Kits	9	Headlamp Reference Guide	36
Dodge Attachment Kits	26	Snowplow Component Weights	37
Jeep Attachment Kits	30	Snowplow Weight Calculation	38
Nissan Attachment Kits	31	Ballast Inquiry Sheet	39

Abbreviation Key			
(2L)	Two-Lamp Light System	HYD	Hydraulic
(4L)	Four-Lamp Light System	KSG	Kit Selection Guide
2WD	Two Wheel Drive	LD	Light Duty
4WS	Four Wheel Steering (Option Code NYS)	M/C	Municipal / Commercial
ABS	Anti-Locking Braking System	MM2	Minute Mount® 2 System
AC	Air Conditioning	MS	Mild Steel
ALT	Alternator	OHC	Overhead Cam
AT	Automatic Transmission	PEC	Peculiar
Cg	Center of Gravity	RD	Regular Duty
D.I.	Direct Injection	SEHP	Solenoid Electric Hydraulic Pak
DRL	Daytime Running Lamps	SS	Stainless Steel
DRW	Dual Rear Wheel	SUV	Sport Utility Vehicle
FFV	Flex Fuel Vehicle	W/	With
FGAWR	Front Gross Axle Weight Rating	W/O	Without
GAWR	Gross Axle Weight Rating	W/WO	With or Without
GVWR	Gross Vehicle Weight Rating	WB	Wheelbase
HD	Heavy Duty	X	XBLADE™ Snowplow
HO	High Output		

FISHER® Snowplows Kit Selection Guide – 2006 Model Year

⚠ WARNING

New untitled vehicle installation of a snowplow requires National Highway Traffic Safety Administration altered vehicle certification labeling. Installer to verify that selected snowplow and ballast, if required, do not exceed GVWR or GAWR rating label and complies with FMVSS.

⚠ WARNING

Do not exceed GVWR or GAWR, including blade and ballast. The rating label is found on the driver-side vehicle door cornerpost.

General Information

The *Kit Selection Guide (KSG)* is designed to help you determine the appropriate snowplow components for a particular snowplow vehicle application. The information published in this guide is based on Federal Motor Vehicle Safety Standards (FMVSS) and a "representative" snowplow vehicle as defined in this guide. The vehicle includes a combined weight of 300 lb for occupants in the front seat location.

This *KSG* is for specific model year vehicles only and is listed on the front cover of this guide. This guide should be saved for future reference. New kit selection guides will be published for the upcoming model year and so on. The instructions on page 4 explain how to use the *Kit Selection Guide*.

The "Representative Vehicle"

Knowing that today's snowplow vehicles come in a variety of sizes and configurations (such as wheel base, engine size, and handling packages), Fisher Engineering has defined a "representative vehicle" that contains the options most likely to appear on a typical snowplow application. The "representative vehicle" includes the following options:

- 4X4 Drivetrain (unless noted)
- Spare Tire & Wheel
- Automatic Transmission
- Rear Bumper
- Air Conditioning
- Full Fluids

NOTE: If the vehicle in question does not match a vehicle listing in the *Kit Selection Guide*, or has options that differ from the "Representative Vehicle" as defined earlier, the ballast inquiry sheet must be filled out and submitted in order to determine plow availability and correct ballast amounts to maintain FMVSS compliance. Completed vehicle at no time shall exceed GVWR or GAWR.

Ballast

When ballast is required it must be secured behind the rear wheels in a manner which prevents it from sliding during normal driving. Ballast shall not exceed 1000 lb.

Fisher Engineering offers an optional ballast retainer kit (62849) for this purpose.

NOTE: The Universal Attachment Kit is recommended for vehicles with a minimum of 5,000 pounds FGAWR only. Vehicles shall be rated between 14,000 and 27,500 GVWR for 9' MC and 10' MC snowplow installations. Snowplow and ballast or second unit bodies must comply with vehicle manufacturer's stated maximum gross vehicle weight (GVWR) and axle weight (GAWR) ratings. Vehicles must measure minimum of 22.5" from road to bottom of front frame for proper installation. Ballast Inquiry Sheet, if completed in full, can be faxed to (207) 596-2767 for assistance in snowplow and ballast recommendations. Weights for all snowplow products can be found in the current *Kit Selection Guide*. Snowplow headlamp kit must conform to vehicle lamp type.

Selection Example: Acme Motors 15000 VX with Minute Mount® 2 System

- Go to the section for the appropriate manufacturer.
- Go to the subsection for the desired snowplow type:
 - **Section 1:** Homesteader™, LD-Series & M-Series Snowplows
 - **Section 2:** XBLADE™, MC-Series & EZ-V® Snowplows
- Start at the left-most column, find the **model** and appropriate configuration for the vehicle. In this case, 4X4, Regular Cab, 6.5 ft box, 5.3L V8 engine, 3925 Min. FGAWR.
- Locate the **peculiar light kit** for this vehicle: 27780. See Headlamp Reference Guide in the back of the *Kit Selection Guide* for more information.
- Locate the **peculiar attachment kit** for this vehicle: 1523 for Homesteader™ system or 7168 for Minute Mount® 2 system. Refer to any footnotes concerning conditions or requirements. For this example, the Minute Mount 2 system is selected and has two footnotes: 1 and 6. A complete list of footnotes is available in the back of this guide.
- Locate the acceptable **blades** at the top of the table. Only those blades with ballast weights listed are valid applications. Three short dashes (—) indicate an invalid application. A question mark (?) indicates a ballast inquiry sheet must be completed.
- For this example, there are four acceptable blades. Choose the 8' HD M. This blade requires 600 lb of ballast.
- To order components for a complete snowplow package, read down from the top of the selected blade column to determine the part numbers. Be sure to select *one* control, either joystick or hand-held. For this example, the part numbers would be:
 - 28000 (blade)
 - 27777 (common attachment / headgear kit)
 - 9840-2 (hydraulic kit)
 - 8435 (common light kit)
 - 8292 or 9400 (control)
 - 27780 (peculiar light kit, from Step 4)
 - 7168 (peculiar attachment kit, from Step 5 – *must match blade*)

2006 Acme Motors ← (1)

Section 1 ← (2)
Homesteader™, LD-Series & M-Series Snowplows

Model	Body Style	DRW	Box Option	Engine Type	Min FGAWR	Min RGAWR	Min GVWR	Peculiar Light Kit	Personal Plow system		MM2 system		Ballast Guidelines, lbs (1)								
									Peculiar Att.Kit	Notes	Peculiar Att.Kit	Notes	Ballast Guidelines, lbs (1)								
15000 RS	4x4	Reg Cab	No	6.5 Box	4.3L V6	3925	3750	6400	HB3/HB4 use 27780	1523	3,6,8	---	100	7168	6	---	300	450	550	600	---
15000 TU	4x4	Reg Cab	No	6.5 Box	4.8L V8	3925	3750	6400		1523	3,6,8	---	150	7168	6	---	350	500	650	650	---
15000 VX	4x4	Reg Cab	No	6.5 Box	5.3L V8	3925	3750	6400		1523	3,6,8	---	100	7168	6	---	350	500	600	600	---

Blade Length: 6'-8" Personal, 7'-4" Personal

Blade Assembly: 27547 Personal, 27549 Personal

Blade Part Number: 27550

Common Attachment Kit / Headgear Kit: 27550

Hydraulic Kit: 27517

Common Light: 8435

Choose a Hand-Held Control or a Joystick Control: 9400, 8292

6'-9" LD	7'-1/2' LD	7'-1/2' RD M	8' HD M	8-1/2' HD M	9' HD M
28069	27775	27500	28000	28500	29000
27750-1		27777			
9825-1		9840-2			
			8435		
			9400		
			8292		

(3) (4) (5) (6) (7) (8)

Notes:
1. Ballast amounts are based on a "Representative Vehicle," defined in the vehicle selection guide instructions, and must be modified for all other configurations for axle and GVWR compliance.

6. All New Style Only (2nd # in model # is 5 not 0) example: K15903. Refer to label in glove box for model number.
8. These Snowplows Are For Personal/Homeowner Use Only.

2006 General Motors

Section 1

Homesteader™, LD-Series & M-Series Snowplows



Blade Length	6'-8"	7'-4"
Blade Assembly	Personal	Personal
Blade Part Number	27547	27549
Common Attachment Kit / Headgear Kit	27550	
Hydraulic Kit	27517	
Common Light	8435	
Choose a Hand-Held Control	9400	
or a Joystick Control	8292	



6'-9" LD	7'-1/2" LD	7'-1/2" RD M	8' HD M	8'-1/2" HD M	9' HD M
28069	27775	27500	28000	28500	29000
27750-1			27777		
9825-1			9840-2		
8435					
9400					
8292					

Model	Body Style	DRW	Box Option	Engine Type	Min F G A W R	Min R G A W R	Min G V W R	Peculiar Light Kit	Personal Plow system		Ballast Guidelines, lbs (1)		MM2 system		Ballast Guidelines, lbs (1)									
									Peculiar Att.Kit	Notes			Peculiar Att.Kit	Notes										
TRAILBLAZER/ENVOY	4x4	SU-4DR	No	---	4.2L I6	2950	3200	5750	HB3/HB4	1533-1	8	100	200	n/a	---	---	---	---	---	---	---	---	---	
TRAILBLAZER EXT/ENVOY XL	4x4	SU-4DR	No	---	5.3L V8	3200	3400	6400	use 28028	1533-1	8	0	0	n/a	---	---	---	---	---	---	---	---	---	
AVALANCHE 1500	4x4	SU-4DR	No	---	5.3L V8	3800	4000	7000	HB3/HB4 use 27780	1523	3,6,8	---	0	7168	6	---	0	---	---	---	---	---	---	
TAHOE/YUKON 1500	4x4	SU-4DR	No	---	5.3L V8	3350	3900	6800		1523	3,6,8	---	0	7160	6	---	---	---	---	---	---	---	---	---
TAHOE/YUKON 1500	4x4	SU-4DR	No	---	5.3L BIF	3350	3900	6800		1523	3,6,8	---	0	7160	6	---	---	---	---	---	---	---	---	---
YUKON DENALI	AWD	SU-4DR	No	---	6.0L V8	3550	4000	7000		1523	3,6,8	---	0	7160	6	---	400	---	---	---	---	---	---	---
YUKON XL DENALI	AWD	SU-4DR	No	---	6.0L V8	3600	4000	7200		1523	3,6,8	---	0	7160	6	---	650	---	---	---	---	---	---	---
SUBURBAN/YUKON XL 1500	4x4	SU-4DR	No	---	5.3L V8	3450	4000	7200		1523	3,6,8	---	0	7160	6	---	---	---	---	---	---	---	---	---
SUBURBAN/YUKON XL 1500	4x4	SU-4DR	No	---	6.0L V8	3450	4000	7200		1523	3,6,8	---	0	7160	6	---	---	---	---	---	---	---	---	---
AVALANCHE 2500	4x4	SU-4DR	No	---	8.1L V8	4380	5500	8600		n/a	---	---	---	---	7169	6	---	---	1000	---	---	---	---	---
SUBURBAN/YUKON XL 2500	4x4	SU-4DR	No	---	6.0L V8	4180	5500	8600		n/a	---	---	---	---	7161	3	---	0	200	700	---	---	---	---
SUBURBAN/YUKON XL 2500	4x4	SU-4DR	No	---	8.1L V8	4180	5500	8600		n/a	---	---	---	---	7161	3	---	800	---	---	---	---	---	---
COLORADO/CANYON Z71	4x4	Reg Cab	No	6.1 Box	2.8L I4	2753	2896	5150	HB3/HB4 US use 27480-1 or HB3/HB4 Canada use 8437-1 & 28555	31543	3,8	50	50	7175	3	---	---	---	---	---	---	---	---	
COLORADO/CANYON Z71	4x4	Reg Cab	No	6.1 Box	3.5L I5	2753	2896	5150		31543	3,8	50	100	7175	3	---	---	---	---	---	---	---	---	---
COLORADO/CANYON Z71	4x4	Crew Cab	No	5.0 Box	2.8L I4	2753	2896	5300		31543	3,8	0	50	7175	3	---	---	---	---	---	---	---	---	---
COLORADO/CANYON Z71	4x4	Crew Cab	No	5.0 Box	3.5L I5	2753	2896	5300		31543	3,8	200	300	7175	3	---	---	---	---	---	---	---	---	---
COLORADO/CANYON Z85	4x4	Reg Cab	No	6.1 Box	2.8L I4	2753	2896	5150		31543	3,8	50	50	7175	3	---	---	---	---	---	---	---	---	---
COLORADO/CANYON Z85	4x4	Reg Cab	No	6.1 Box	3.5L I5	2753	2896	5150		31543	3,8	50	100	7175	3	---	---	---	---	---	---	---	---	---
COLORADO/CANYON Z85	4x4	Crew Cab	No	5.0 Box	2.8L I4	2753	2896	5300		31543	3,8	0	0	7175	3	---	---	---	---	---	---	---	---	---
COLORADO/CANYON Z85	4x4	Crew Cab	No	5.0 Box	3.5L I5	2753	2896	5300		31543	3,8	150	250	7175	3	---	---	---	---	---	---	---	---	---

- Notes:
- Ballast amounts are based on a "Representative Vehicle," defined in the vehicle selection guide instructions, and must be modified for all other configurations for axle and GVWR compliance.
 - Requires bumper notching.

- All New Style Only (2nd # in model # is 5 not 0) example: K15903. Refer to label in glove box for model number.
- These Snowplows Are For Personal/Homeowner Use Only.

2006 General Motors

Section 1

Homesteader™, LD-Series & M-Series Snowplows



Blade Length	6'-8"	7'-4"
Blade Assembly	Personal	Personal
Blade Part Number	27547	27549
Common Attachment Kit / Headgear Kit	27550	
Hydraulic Kit	27517	
Common Light	8435	
Choose a Hand-Held Control	9400	
or a Joystick Control	8292	



6'-9" LD	7'-1/2" LD	7'-1/2" RD M	8' HD M	8-1/2" HD M	9' HD M
28069	27775	27500	28000	28500	29000
27750-1			27777		
9825-1			9840-2		
8435					
9400					
8292					

Model	Body Style	DRW	Box Option	Engine Type	Min F G A W R	Min R G A W R	Min G V W R	Peculiar Light Kit	Personal Plow system		Ballast Guidelines, lbs (1)	MM2 system		Ballast Guidelines, lbs (1)						
									Peculiar Att.Kit	Notes		Peculiar Att.Kit	Notes							
K1500 SILV/SIERRA	4x4	Reg Cab	No	6.5 Box	4.3L V6	3925	3750	6400	1523	3,6,8	---	100	7168	6	---	300	450	550	600	---
K1500 SILV/SIERRA	4x4	Reg Cab	No	6.5 Box	4.8L V8	3925	3750	6400	1523	3,6,8	---	150	7168	6	---	350	500	650	650	---
K1500 SILV/SIERRA	4x4	Reg Cab	No	6.5 Box	5.3L V8	3925	3750	6400	1523	3,6,8	---	100	7168	6	---	350	500	600	600	---
K1500 SILV/SIERRA	4x4	Reg Cab	No	6.5 Box	5.3L BIF	3925	3750	6400	1523	3,6,8	---	150	7168	6	---	350	500	600	650	---
K1500 SILV/SIERRA	4x4	Reg Cab	No	8.0 Box	4.3L V6	3925	3750	6400	1523	3,6,8	---	100	7168	6	---	350	450	550	550	---
K1500 SILV/SIERRA	4x4	Reg Cab	No	8.0 Box	4.8L V8	3925	3750	6400	1523	3,6,8	---	150	7168	6	---	350	500	650	---	---
K1500 SILV/SIERRA	4x4	Reg Cab	No	8.0 Box	5.3L V8	3925	3750	6400	1523	3,6,8	---	150	7168	6	---	350	500	650	---	---
K1500 SILV/SIERRA	4x4	Reg Cab	No	8.0 Box	5.3L BIF	3925	3750	6400	1523	3,6,8	---	150	7168	6	---	350	500	700	---	---
K1500 SILV/SIERRA	4x4	Ext Cab	No	6.5 Box	4.8L V8	3925	3750	6700	1523	3,6,8	---	150	7168	6	---	350	---	---	---	---
K1500 SILV/SIERRA	4x4	Ext Cab	No	6.5 Box	4.8L V8	3925	3750	6400	1523	3,6,8	---	150	7168	6	---	350	---	---	---	---
K1500 SILV/SIERRA	4x4	Ext Cab	No	6.5 Box	5.3L V8	3925	3750	6700	1523	3,6,8	---	100	7168	6	---	300	450	---	---	---
K1500 SILV/SIERRA	4x4	Ext Cab	No	6.5 Box	5.3L V8	3925	3750	6400	1523	3,6,8	---	50	7168	6	---	250	450	---	---	---
K1500 SILV/SIERRA	4x4	Ext Cab	No	6.5 Box	5.3L V8	3925	3750	6400	1523	3,6,8	---	100	7168	6	---	300	450	---	---	---
K1500 SILV/SIERRA	4x4	Ext Cab	No	6.5 Box	5.3L BIF	3925	3750	6700	1523	3,6,8	---	150	7168	6	---	350	---	---	---	---
K1500 SILV/SIERRA	4x4	Ext Cab	No	6.5 Box	5.3L BIF	3925	3750	6400	1523	3,6,8	---	150	7168	6	---	350	---	---	---	---
K1500 SILV/SIERRA	4x4	Ext Cab	No	8.0 Box	4.8L V8	3925	4000	6900	1523	3,6,8	---	150	7168	6	---	350	---	---	---	---
K1500 SILV/SIERRA	4x4	Ext Cab	No	8.0 Box	4.8L V8	3925	3750	6400	1523	3,6,8	---	150	7168	6	---	350	---	---	---	---
K1500 SILV/SIERRA	4x4	Ext Cab	No	8.0 Box	5.3L V8	3925	4000	6900	1523	3,6,8	---	150	7168	6	---	350	---	---	---	---
K1500 SILV/SIERRA	4x4	Ext Cab	No	8.0 Box	5.3L V8	3925	3750	6400	1523	3,6,8	---	150	7168	6	---	350	---	---	---	---
K1500 SILV/SIERRA	4x4	Ext Cab	No	8.0 Box	5.3L BIF	3925	4000	6900	1523	3,6,8	---	150	7168	6	---	350	---	---	---	---
K1500 SILV/SIERRA	4x4	Ext Cab	No	8.0 Box	5.3L BIF	3925	3750	6400	1523	3,6,8	---	150	7168	6	---	350	---	---	---	---
K1500 SILV/SIERRA	4x4	Crew Cab	No	5.8 Box	5.3L V8	3925	4000	7000	1523	3,6,8	---	50	7168	6	---	250	---	---	---	---
K1500HD SILV/SIERRA	4x4	Crew Cab	No	6.5 Box	6.0L V8	4410	6000	8600	n/a	---	---	---	7169	6	---	300	400	---	---	---

- Notes:
- Ballast amounts are based on a "Representative Vehicle," defined in the vehicle selection guide instructions, and must be modified for all other configurations for axle and GVWR compliance.
 - Requires bumper notching.

- All New Style Only (2nd # in model # is 5 not 0) example: K15903. Refer to label in glove box for model number.
- These Snowplows Are For Personal/Homeowner Use Only.

2006 General Motors

Section 1

Homesteader™, LD-Series & M-Series Snowplows



Blade Length	6'-8"	7'-4"
Blade Assembly	Personal	Personal
Blade Part Number	27547	27549
Common Attachment Kit / Headgear Kit	27550	
Hydraulic Kit	27517	
Common Light	8435	
Choose a Hand-Held Control or a Joystick Control	9400	
	8292	



6'-9" LD	7'-1/2" LD	7'-1/2" RD M	8' HD M	8-1/2" HD M	9' HD M
28069	27775	27500	28000	28500	29000
27750-1			27777		
9825-1			9840-2		
8435					
9400					
8292					

Model	Body Style	DRW	Box Option	Engine Type	Min F G A W R	Min R G A W R	Min G V W R	Peculiar Light Kit	Personal Plow system		Ballast Guidelines, lbs (1)	MM2 system		Ballast Guidelines, lbs (1)							
									Peculiar Att.Kit	Notes		Peculiar Att.Kit	Notes								
K2500HD SILV/SIERRA	4x4	Reg Cab	No	8.0 Box	6.0L V8	4800	6084	9200		n/a	---	---	---	7169	6	---	---	350	450	500	500
K2500HD SILV/SIERRA	4x4	Reg Cab	No	8.0 Box	6.0L V8	4500	6084	9200		n/a	---	---	---	7169	6	---	---	350	450	500	500
K2500HD SILV/SIERRA	4x4	Reg Cab	No	8.0 Box	6.6L D	4800	6084	9200		n/a	---	---	---	7169	6	---	---	550	650	650	700
K2500HD SILV/SIERRA	4x4	Reg Cab	No	8.0 Box	8.1L V8	4800	6084	9200		n/a	---	---	---	7169	6	---	---	450	550	550	550
K2500HD SILV/SIERRA	4x4	Reg Cab	No	8.0 Box	8.1L V8	4500	6084	9200		n/a	---	---	---	7169	6	---	---	450	950	---	---
K2500HD SILV/SIERRA	4x4	Ext Cab	No	6.5 Box	6.0L V8	4800	6084	9200		n/a	---	---	---	7169	6	---	---	350	500	500	500
K2500HD SILV/SIERRA	4x4	Ext Cab	No	6.5 Box	6.0L V8	4670	6084	9200		n/a	---	---	---	7169	6	---	---	350	500	500	500
K2500HD SILV/SIERRA	4x4	Ext Cab	No	6.5 Box	6.6L D	4800	6084	9200		n/a	---	---	---	7169	6	---	---	800	---	---	---
K2500HD SILV/SIERRA	4x4	Ext Cab	No	6.5 Box	8.1L V8	4800	6084	9200		n/a	---	---	---	7169	6	---	---	500	600	700	800
K2500HD SILV/SIERRA	4x4	Ext Cab	No	6.5 Box	8.1L V8	4670	6084	9200		n/a	---	---	---	7169	6	---	---	550	---	---	---
K2500HD SILV/SIERRA	4x4	Ext Cab	No	8.0 Box	6.0L V8	4800	6084	9200		n/a	---	---	---	7169	6	---	---	350	450	450	450
K2500HD SILV/SIERRA	4x4	Ext Cab	No	8.0 Box	6.0L V8	4670	6084	9200		n/a	---	---	---	7169	6	---	---	350	450	450	450
K2500HD SILV/SIERRA	4x4	Ext Cab	No	8.0 Box	6.6L D	4800	6084	9200		n/a	---	---	---	7169	6	---	---	900	---	---	---
K2500HD SILV/SIERRA	4x4	Ext Cab	No	8.0 Box	8.1L V8	4800	6084	9200		n/a	---	---	---	7169	6	---	---	450	750	800	900
K2500HD SILV/SIERRA	4x4	Ext Cab	No	8.0 Box	8.1L V8	4670	6084	9200		n/a	---	---	---	7169	6	---	---	700	---	---	---
K2500HD SILV/SIERRA	4x4	Crew Cab	No	6.5 Box	6.0L V8	4800	6084	9200	HB3/HB4 use 27780	n/a	---	---	---	7169	6	---	---	250	350	400	400
K2500HD SILV/SIERRA	4x4	Crew Cab	No	6.5 Box	8.1L V8	4800	6084	9200		n/a	---	---	---	7169	6	---	---	350	900	1000	---
K2500HD SILV/SIERRA	4x4	Crew Cab	No	8.0 Box	6.0L V8	4800	6084	9200		n/a	---	---	---	7169	6	---	---	300	350	400	400
K2500HD SILV/SIERRA	4x4	Crew Cab	No	8.0 Box	8.1L V8	4800	6084	9200		n/a	---	---	---	7169	6	---	---	650	---	---	---
K2500HD SILV/SIERRA	4x4	All	No	Chassis	All	All	All	8501		n/a	---	---	---	7169	6	---	---	?	?	?	?
K3500 SILV/SIERRA	4x4	Reg Cab	No	8.0 Box	6.0L V8	4800	6500	9900		n/a	---	---	---	7169	6	---	---	---	150	200	200
K3500 SILV/SIERRA	4x4	Reg Cab	No	8.0 Box	6.6L D	4800	6500	9900		n/a	---	---	---	7169	6	---	---	---	650	700	800
K3500 SILV/SIERRA	4x4	Reg Cab	No	8.0 Box	8.1L V8	4800	6500	9900		n/a	---	---	---	7169	6	---	---	---	300	350	350
K3500 SILV/SIERRA	4x4	Reg Cab	Yes	8.0 Box	6.0L V8	4500	8550	11400		n/a	---	---	---	7169	6	---	---	---	---	250	250
K3500 SILV/SIERRA	4x4	Ext Cab	No	8.0 Box	6.0L V8	4800	6500	9900		n/a	---	---	---	7169	6	---	---	---	100	100	150
K3500 SILV/SIERRA	4x4	Ext Cab	No	8.0 Box	8.1L V8	4800	6500	9900		n/a	---	---	---	7169	6	---	---	---	850	950	---
K3500 SILV/SIERRA	4x4	Ext Cab	Yes	8.0 Box	6.0L V8	4800	8550	11400		n/a	---	---	---	7169	6	---	---	---	---	50	50
K3500 SILV/SIERRA	4x4	Crew Cab	No	8.0 Box	6.0L V8	4800	6500	9900		n/a	---	---	---	7169	6	---	---	---	50	50	50
K3500 SILV/SIERRA	4x4	Crew Cab	Yes	8.0 Box	6.0L V8	4800	8550	11400		n/a	---	---	---	7169	6	---	---	---	---	0	100
K3500 SILV/SIERRA	4x4	All	No	Chassis	All	All	All	8501		n/a	---	---	---	7169	6	---	---	---	?	?	?
K3500 SILV/SIERRA	4x4	All	Yes	Chassis	All	All	All	8501		n/a	---	---	---	7169	6	---	---	---	---	?	?

Notes:
 1. Ballast amounts are based on a "Representative Vehicle," defined in the vehicle selection guide instructions, and must be modified for all other configurations for axle and GVWR compliance.
 6. All New Style Only (2nd # in model # is 5 not 0) example: K15903. Refer to label in glove box for model number.

2006 General Motors

Section 2

XBLADE™, MC-Series & EZ-V® Snowplows



Blade Length	7-1/2'	7-1/2'	8'	8'	8-1/2'	8-1/2'	9'	9'	10'	8-1/2'	9-1/2'	
Blade Assembly	X SS	X MS	X SS	X MS	X SS	X MS	X SS	X MS	MC	MC	EZ-V®	EZ-V®
Blade Part Number	27510	27512	28100	28200	28510	28520	29100	29200	29250	29350	28885	28895
Common Attachment Kit / Headgear Kit	28900	27777	28900	27777	28900	27777	28900	27777	29999		28888	
A-Frame Kit	n/a								28665		n/a	
Hydraulic Kit	9840-2								9835-1		9828-4	
Common Light	8435											
Choose a Hand-Held Control or a Joystick Control	9400										9800	
	8292											9900

Model	Body Style	DRW	Box Option	Engine Type	Min F G A W R	Min R G A W R	Min G V W R	Peculiar Light Kit	MM2 system		Ballast Guidelines, lbs (1)											
									Peculiar Att.Kit	Notes												
K2500HD SILV/SIERRA	4x4	Reg Cab	No	8.0 Box	6.0L V8	4800	6084	9200	7169	6	450	450	550	550	550	550	550	550	---	---	500	550
K2500HD SILV/SIERRA	4x4	Reg Cab	No	8.0 Box	6.0L V8	4500	6084	9200	7169	6	450	450	550	550	550	550	550	550	---	---	500	550
K2500HD SILV/SIERRA	4x4	Reg Cab	No	8.0 Box	6.6L D	4800	6084	9200	7169	6	650	650	900	900	---	---	---	---	---	---	800	---
K2500HD SILV/SIERRA	4x4	Reg Cab	No	8.0 Box	8.1L V8	4800	6084	9200	7169	6	550	550	600	600	650	650	650	650	---	---	550	600
K2500HD SILV/SIERRA	4x4	Ext Cab	No	6.5 Box	6.0L V8	4800	6084	9200	7169	6	500	500	550	550	550	550	600	600	---	---	500	550
K2500HD SILV/SIERRA	4x4	Ext Cab	No	6.5 Box	8.1L V8	4800	6084	9200	7169	6	700	700	---	---	---	---	---	---	---	---	900	---
K2500HD SILV/SIERRA	4x4	Ext Cab	No	8.0 Box	6.0L V8	4800	6084	9200	7169	6	450	450	500	500	500	500	550	550	---	---	450	500
K2500HD SILV/SIERRA	4x4	Ext Cab	No	8.0 Box	6.0L V8	4670	6084	9200	7169	6	450	450	500	500	500	500	550	550	---	---	450	500
K2500HD SILV/SIERRA	4x4	Ext Cab	No	8.0 Box	8.1L V8	4800	6084	9200	7169	6	850	850	---	---	---	---	---	---	---	---	---	---
K2500HD SILV/SIERRA	4x4	Crew Cab	No	6.5 Box	6.0L V8	4800	6084	9200	7169	6	400	400	450	450	450	500	500	---	---	---	400	450
K2500HD SILV/SIERRA	4x4	Crew Cab	No	8.0 Box	6.0L V8	4800	6084	9200	7169	6	400	400	450	450	450	450	500	500	---	---	400	450
K2500HD SILV/SIERRA	4x4	All	No	Chassis	All	All	All	8501	7169	6	?	?	?	?	?	?	?	?	---	---	?	?
K3500 SILV/SIERRA	4x4	Reg Cab	No	8.0 Box	6.0L V8	4800	6500	9900	7169	6	200	200	250	250	250	300	300	---	---	---	200	250
K3500 SILV/SIERRA	4x4	Reg Cab	No	8.0 Box	6.6L D	4800	6500	9900	7169	6	750	750	1000	1000	---	---	---	---	---	---	900	---
K3500 SILV/SIERRA	4x4	Reg Cab	No	8.0 Box	8.1L V8	4800	6500	9900	7169	6	350	350	500	500	650	650	750	750	---	---	400	700
K3500 SILV/SIERRA	4x4	Reg Cab	Yes	8.0 Box	6.0L V8	4500	8550	11400	7169	6	---	---	---	---	350	350	450	450	---	---	250	400
K3500 SILV/SIERRA	4x4	Ext Cab	No	8.0 Box	6.0L V8	4800	6500	9900	7169	6	100	100	150	150	200	200	200	200	---	---	150	150
K3500 SILV/SIERRA	4x4	Ext Cab	No	8.0 Box	8.1L V8	4800	6500	9900	7169	6	950	950	---	---	---	---	---	---	---	---	---	---
K3500 SILV/SIERRA	4x4	Ext Cab	Yes	8.0 Box	6.0L V8	4800	8550	11400	7169	6	---	---	---	---	100	100	150	150	---	---	50	100
K3500 SILV/SIERRA	4x4	Crew Cab	No	8.0 Box	6.0L V8	4800	6500	9900	7169	6	50	50	100	100	250	250	350	350	---	---	50	350
K3500 SILV/SIERRA	4x4	Crew Cab	Yes	8.0 Box	6.0L V8	4800	8550	11400	7169	6	---	---	---	---	500	500	650	650	---	---	250	600
K3500 SILV/SIERRA	4x4	All	No	Chassis	All	All	All	8501	7169	6	?	?	?	?	?	?	?	?	---	---	?	?
K3500 SILV/SIERRA	4x4	All	Yes	Chassis	All	All	All	8501	7169	6	---	---	---	---	---	---	---	---	---	---	---	---
C4500	4x4	All	Yes	Chassis	All	All	All	10001	7177	42	---	---	---	---	?	?	?	?	?	---	---	?
C4500	4x2	All	Yes	Chassis	All	All	All	10001	7171	41	---	---	---	---	?	?	?	?	?	---	---	?
C5500	4x4	All	Yes	Chassis	All	All	All	10001	7177	42	---	---	---	---	?	?	?	?	?	---	---	?
C5500	4x2	All	Yes	Chassis	All	All	All	10001	7171	41	---	---	---	---	?	?	?	?	?	---	---	?

Notes:
 1. Ballast amounts are based on a "Representative Vehicle," defined in the vehicle selection guide instructions, and must be modified for all other configurations for axle and GVWR compliance.
 6. All New Style Only (2nd # in model # is 5 not 0) example: K15903. Refer to label in glove box for model number.

41. 4X2.
 42. 4X4.

2006 Ford

Section 1

Homesteader™, LD-Series & M-Series Snowplows



Blade Length	6'-8"	7'-4"
Blade Assembly	Personal	Personal
Blade Part Number	27547	27549
Common Attachment Kit / Headgear Kit	27550	
Hydraulic Kit	27517	
Common Light	8435	
Choose a Hand-Held Control	9400	
or a Joystick Control	8292	



6'-9" LD	7'-1/2" LD	7'-1/2" RD M	8' HD M	8'-1/2" HD M	9' HD M
28069	27775	27500	28000	28500	29000
27750-1			27777		
9825-1			9840-2		
8435					
9400					
8292					

Model	Body Style	DRW	Box Option	Engine Type	Min F G A W R	Min R G A W R	Min G V W R	Peculiar Light Kit	Personal Plow system		Ballast Guidelines, lbs (1)	MM2 system		Ballast Guidelines, lbs (1)									
									Peculiar Att.Kit	Notes		Peculiar Att.Kit	Notes										
EXPLORER SPORT TRAC	4x4	---	No	4.0 Box	4.0L V6	2900	3200	5840	HB5 use 8436	1203	8	300	450	n/a	---	---	---	---	---	---	---	---	
RANGER	4x4	Reg Cab	No	6.0 Box	3.0L V6	2710	2750	4760		1203	8	100	100	n/a	---	---	---	---	---	---	---	---	---
RANGER	4x4	Reg Cab	No	7.0 Box	4.0L V6	2710	2750	5040		1203	8	100	100	n/a	---	---	---	---	---	---	---	---	---
RANGER	4x4	Reg Cab	No	7.0 Box	4.0L V6	2710	2750	4840		1203	8	100	100	n/a	---	---	---	---	---	---	---	---	---
RANGER	4x4	Super Cab	No	6.0 Box	4.0L V6	2850	2600	5300		1203	8	100	150	n/a	---	---	---	---	---	---	---	---	---
RANGER	4x4	Super Cab	No	6.0 Box	4.0L V6	2850	2600	5160		1203	8	100	100	n/a	---	---	---	---	---	---	---	---	---
RANGER	4x4	Super Cab	No	6.0 Box	4.0L V6	2850	2600	5140		1203	8	100	150	n/a	---	---	---	---	---	---	---	---	---
RANGER	4x4	Super Cab	No	6.0 Box	4.0L V6	2850	2600	5000		1203	8	100	150	n/a	---	---	---	---	---	---	---	---	---
F150	4x4	Reg Cab	No	6.5 Box	4.6L V8	3600	3500	6800		H13 use 28400	1233	8	---	0	7174	3	---	700	---	---	---	---	---
F150	4x4	Reg Cab	No	6.5 Box	5.4L V8	3600	3500	6850			1233	8	---	0	7174	3	---	---	---	---	---	---	---
F150	4x4	Reg Cab	No	8.0 Box	4.6L V8	3750	3800	6950			1233	8	---	50	7174	3	---	700	---	---	---	---	---
F150	4x4	Reg Cab	No	8.0 Box	5.4L V8	4300	4800	8200			1233	8	---	0	7174	3	---	200	350	600	650	---	---
F150	4x4	Reg Cab	No	8.0 Box	5.4L V8	4050	4800	8200			1233	8	---	0	7174	3	---	200	---	---	---	---	---
F150	4x4	Reg Cab	No	8.0 Box	5.4L V8	3750	3850	6950			1233	8	---	50	7174	3	---	---	---	---	---	---	---
F150	4x4	Super Cab	No	5.5 Box	4.6L V8	3750	3800	6900	1233		8	---	0	7174	3	---	550	---	---	---	---	---	
F150	4x4	Super Cab	No	5.5 Box	5.4L V8	3750	3850	7150	1233		8	---	0	7174	3	---	---	---	---	---	---	---	
F150	4x4	Super Cab	No	6.5 Box	4.6L V8	3900	3800	6950	1233		8	---	0	7174	3	---	450	---	---	---	---	---	
F150	4x4	Super Cab	No	6.5 Box	5.4L V8	3900	3850	7200	1233		8	---	0	7174	3	---	700	---	---	---	---	---	
F150	4x4	Super Cab	No	8.0 Box	5.4L V8	4300	4800	8200	1233		8	---	0	7174	3	---	150	750	---	---	---	---	
F150	4x4	Super Cab	No	8.0 Box	5.4L V8	4050	4800	8200	1233		8	---	0	7174	3	---	1000	---	---	---	---	---	
F150	4x4	SuperCrew	No	5.5 Box	4.6L V8	3750	3800	6900	1233		8	---	0	7174	3	---	---	---	---	---	---	---	
F150	4x4	SuperCrew	No	5.5 Box	5.4L V8	3900	3850	7200	1233		8	---	0	7174	3	---	---	---	---	---	---	---	
F150	4x4	SuperCrew	No	6.5 Box	4.6L V8	3750	3800	6900	1233	8	---	0	7174	3	---	---	---	---	---	---	---		
F150	4x4	SuperCrew	No	6.5 Box	5.4L V8	3900	3850	7200	1233	8	---	0	7174	3	---	---	---	---	---	---	---		
F250 SUPER DUTY	4x4	Reg Cab	No	8.0 Box	5.4L V8	5600	6100	9000	H13 use 28400 or 2B use 8439	n/a	---	---	---	7176	2,10	---	---	300	400	450	450	---	
F250 SUPER DUTY	4x4	Reg Cab	No	8.0 Box	5.4L V8	5200	6100	9000		n/a	---	---	---	7176	2,10	---	---	300	400	450	450	---	
F250 SUPER DUTY	4x4	Reg Cab	No	8.0 Box	5.4L V8	4800	6100	9000		n/a	---	---	---	7176	2,10	---	---	350	450	450	450	---	
F250 SUPER DUTY	4x4	Reg Cab	No	8.0 Box	6.0L D	6000	6100	9600		n/a	---	---	---	7176	2,10	---	---	550	650	650	650	---	
F250 SUPER DUTY	4x4	Reg Cab	No	8.0 Box	6.0L D	5600	6100	9600		n/a	---	---	---	7176	2,10	---	---	550	650	650	700	---	
F250 SUPER DUTY	4x4	Reg Cab	No	8.0 Box	6.0L D	5200	6100	9600		n/a	---	---	---	7176	2,10	---	---	550	900	1000	---	---	
F250 SUPER DUTY	4x4	Reg Cab	No	8.0 Box	6.8L V10	5600	6100	9200		n/a	---	---	---	7176	2,10	---	---	350	450	500	500	---	
F250 SUPER DUTY	4x4	Reg Cab	No	8.0 Box	6.8L V10	5200	6100	9200		n/a	---	---	---	7176	2,10	---	---	350	450	500	500	---	
F250 SUPER DUTY	4x4	Reg Cab	No	8.0 Box	6.8L V10	4800	6100	9200		n/a	---	---	---	7176	2,10	---	---	400	600	700	750	---	

- Notes:
- Ballast amounts are based on a "Representative Vehicle," defined in the vehicle selection guide instructions, and must be modified for all other configurations for axle and GVWR compliance.
 - Recommended snowplow prep package whenever available.
 - Requires bumper notching.
 - These Snowplows Are For Personal/Homeowner Use Only.
 - May require bumper or air dam notching.

2006 Ford

Section 1

Homesteader™, LD-Series & M-Series Snowplows



Blade Length	6'-8"	7'-4"
Blade Assembly	Personal	Personal
Blade Part Number	27547	27549
Common Attachment Kit / Headgear Kit	27550	
Hydraulic Kit	27517	
Common Light	8435	
Choose a Hand-Held Control	9400	
or a Joystick Control	8292	



6'-9" LD	7'-1/2" LD	7'-1/2" RD M	8' HD M	8-1/2" HD M	9' HD M
28069	27775	27500	28000	28500	29000
27750-1			27777		
9825-1			9840-2		
8435					
9400					
8292					

Model	Body Style	DRW	Box Option	Engine Type	Min F G A W R	Min R G A W R	Min G V W R	Peculiar Light Kit	Personal Plow system		Ballast Guidelines, lbs (1)	MM2 system		Ballast Guidelines, lbs (1)						
									Peculiar Att.Kit	Notes		Peculiar Att.Kit	Notes							
F250 SUPER DUTY	4x4	Super Cab	No	6.8 Box	5.4L V8	5200	6100	9200	n/a	---	---	---	7176	2,10	---	---	250	350	350	350
F250 SUPER DUTY	4x4	Super Cab	No	6.8 Box	5.4L V8	5200	6100	9200	n/a	---	---	---	7176	2,10	---	---	250	350	400	400
F250 SUPER DUTY	4x4	Super Cab	No	6.8 Box	5.4L V8	4800	6100	9200	n/a	---	---	---	7176	2,10	---	---	250	500	600	650
F250 SUPER DUTY	4x4	Super Cab	No	6.8 Box	6.0L D	6000	6100	9800	n/a	---	---	---	7176	2,10	---	---	450	550	600	600
F250 SUPER DUTY	4x4	Super Cab	No	6.8 Box	6.0L D	5600	6100	9800	n/a	---	---	---	7176	2,10	---	---	500	600	600	600
F250 SUPER DUTY	4x4	Super Cab	No	6.8 Box	6.0L D	5200	6100	9800	n/a	---	---	---	7176	2,10	---	---	700	---	---	---
F250 SUPER DUTY	4x4	Super Cab	No	6.8 Box	6.8L V10	5600	6100	9400	n/a	---	---	---	7176	2,10	---	---	300	400	400	450
F250 SUPER DUTY	4x4	Super Cab	No	6.8 Box	6.8L V10	5200	6100	9400	n/a	---	---	---	7176	2,10	---	---	300	400	450	450
F250 SUPER DUTY	4x4	Super Cab	No	6.8 Box	6.8L V10	4800	6100	9400	n/a	---	---	---	7176	2,10	---	---	400	900	1000	---
F250 SUPER DUTY	4x4	Super Cab	No	8.0 Box	5.4L V8	5600	6100	9400	n/a	---	---	---	7176	2,10	---	---	300	350	400	400
F250 SUPER DUTY	4x4	Super Cab	No	8.0 Box	5.4L V8	5200	6100	9400	n/a	---	---	---	7176	2,10	---	---	300	400	400	400
F250 SUPER DUTY	4x4	Super Cab	No	8.0 Box	5.4L V8	4800	6100	9400	n/a	---	---	---	7176	2,10	---	---	350	900	1000	---
F250 SUPER DUTY	4x4	Super Cab	No	8.0 Box	6.0L D	6000	6100	10000	n/a	---	---	---	7176	2,10	---	---	500	600	600	600
F250 SUPER DUTY	4x4	Super Cab	No	8.0 Box	6.0L D	5600	6100	10000	n/a	---	---	---	7176	2,10	---	---	500	600	650	650
F250 SUPER DUTY	4x4	Super Cab	No	8.0 Box	6.8L V10	5600	6100	9600	n/a	---	---	---	7176	2,10	---	---	350	450	450	450
F250 SUPER DUTY	4x4	Super Cab	No	8.0 Box	6.8L V10	5200	6100	9600	n/a	---	---	---	7176	2,10	---	---	350	450	450	500
F250 SUPER DUTY	4x4	Super Cab	No	8.0 Box	6.8L V10	4800	6100	9600	n/a	---	---	---	7176	2,10	---	---	850	---	---	---
F250 SUPER DUTY	4x4	Crew Cab	No	6.8 Box	5.4L V8	5600	6100	9400	n/a	---	---	---	7176	2,10	---	---	250	350	350	350
F250 SUPER DUTY	4x4	Crew Cab	No	6.8 Box	5.4L V8	5200	6100	9400	n/a	---	---	---	7176	2,10	---	---	250	350	350	400
F250 SUPER DUTY	4x4	Crew Cab	No	6.8 Box	5.4L V8	4800	6100	9400	n/a	---	---	---	7176	2,10	---	---	400	950	1000	---
F250 SUPER DUTY	4x4	Crew Cab	No	6.8 Box	6.0L D	6000	6100	10000	n/a	---	---	---	7176	2,10	---	---	450	550	550	600
F250 SUPER DUTY	4x4	Crew Cab	No	6.8 Box	6.0L D	5600	6100	10000	n/a	---	---	---	7176	2,10	---	---	500	600	600	600
F250 SUPER DUTY	4x4	Crew Cab	No	6.8 Box	6.8L V10	5600	6100	9600	n/a	---	---	---	7176	2,10	---	---	300	400	400	400
F250 SUPER DUTY	4x4	Crew Cab	No	6.8 Box	6.8L V10	5200	6100	9600	n/a	---	---	---	7176	2,10	---	---	300	400	400	450
F250 SUPER DUTY	4x4	Crew Cab	No	6.8 Box	6.8L V10	4800	6100	9600	n/a	---	---	---	7176	2,10	---	---	850	---	---	---
F250 SUPER DUTY	4x4	Crew Cab	No	8.0 Box	5.4L V8	5600	6100	9600	n/a	---	---	---	7176	2,10	---	---	250	350	400	400
F250 SUPER DUTY	4x4	Crew Cab	No	8.0 Box	5.4L V8	5200	6100	9600	n/a	---	---	---	7176	2,10	---	---	300	400	400	400
F250 SUPER DUTY	4x4	Crew Cab	No	8.0 Box	5.4L V8	4800	6100	9600	n/a	---	---	---	7176	2,10	---	---	850	---	---	---
F250 SUPER DUTY	4x4	Crew Cab	No	8.0 Box	6.0L D	6000	6100	10000	n/a	---	---	---	7176	2,10	---	---	500	600	600	600
F250 SUPER DUTY	4x4	Crew Cab	No	8.0 Box	6.0L D	5600	6100	10000	n/a	---	---	---	7176	2,10	---	---	500	600	600	700
F250 SUPER DUTY	4x4	Crew Cab	No	8.0 Box	6.8L V10	5600	6100	9800	n/a	---	---	---	7176	2,10	---	---	300	400	450	450
F250 SUPER DUTY	4x4	Crew Cab	No	8.0 Box	6.8L V10	5200	6100	9800	n/a	---	---	---	7176	2,10	---	---	350	450	450	450

H13 use
28400 or 2B
use 8439

- Notes:**
- Ballast amounts are based on a "Representative Vehicle," defined in the vehicle selection guide instructions, and must be modified for all other configurations for axle and GVWR compliance.
 - Recommended snowplow prep package whenever available.
 - May require bumper or air dam notching.

2006 Ford

Section 1

Homesteader™, LD-Series & M-Series Snowplows



Blade Length	6'-8"	7'-4"
Blade Assembly	Personal	Personal
Blade Part Number	27547	27549
Common Attachment Kit / Headgear Kit	27550	
Hydraulic Kit	27517	
Common Light	8435	
Choose a Hand-Held Control	9400	
or a Joystick Control	8292	



6'-9" LD	7'-1/2" LD	7'-1/2" RD M	8' HD M	8-1/2" HD M	9' HD M
28069	27775	27500	28000	28500	29000
27750-1			27777		
9825-1			9840-2		
8435					
9400					
8292					

Model	Body Style	DRW	Box Option	Engine Type	Min F G A W R	Min R G A W R	Min G V W R	Peculiar Light Kit	Personal Plow system		Ballast Guidelines, lbs (1)	MM2 system		Ballast Guidelines, lbs (1)						
									Peculiar Att.Kit	Notes		Peculiar Att.Kit	Notes							
F350 SUPER DUTY	4x4	Reg Cab	No	8.0 Box	5.4L V8	5600	7000	10000		n/a	---	---	---	---	---	---	---	400	450	450
F350 SUPER DUTY	4x4	Reg Cab	No	8.0 Box	5.4L V8	5600	6390	10000		n/a	---	---	---	---	---	---	---	400	450	450
F350 SUPER DUTY	4x4	Reg Cab	No	8.0 Box	5.4L V8	5200	7000	10000		n/a	---	---	---	---	---	---	---	400	450	450
F350 SUPER DUTY	4x4	Reg Cab	No	8.0 Box	5.4L V8	5200	6390	10000		n/a	---	---	---	---	---	---	---	400	450	450
F350 SUPER DUTY	4x4	Reg Cab	No	8.0 Box	5.4L V8	4800	7000	10000		n/a	---	---	---	---	---	---	---	400	450	450
F350 SUPER DUTY	4x4	Reg Cab	No	8.0 Box	5.4L V8	4800	6390	10000		n/a	---	---	---	---	---	---	---	400	450	450
F350 SUPER DUTY	4x4	Reg Cab	No	8.0 Box	6.0L D	6000	7000	10600		n/a	---	---	---	---	---	---	---	650	650	650
F350 SUPER DUTY	4x4	Reg Cab	No	8.0 Box	6.0L D	6000	7000	10000		n/a	---	---	---	---	---	---	---	650	650	650
F350 SUPER DUTY	4x4	Reg Cab	No	8.0 Box	6.0L D	6000	6390	10600		n/a	---	---	---	---	---	---	---	650	650	650
F350 SUPER DUTY	4x4	Reg Cab	No	8.0 Box	6.0L D	6000	7000	10000		n/a	---	---	---	---	---	---	---	650	650	650
F350 SUPER DUTY	4x4	Reg Cab	No	8.0 Box	6.0L D	5600	7000	10600		n/a	---	---	---	---	---	---	---	650	650	650
F350 SUPER DUTY	4x4	Reg Cab	No	8.0 Box	6.0L D	5600	7000	10000		n/a	---	---	---	---	---	---	---	650	650	650
F350 SUPER DUTY	4x4	Reg Cab	No	8.0 Box	6.0L D	5600	6390	10600		n/a	---	---	---	---	---	---	---	650	650	650
F350 SUPER DUTY	4x4	Reg Cab	No	8.0 Box	6.0L D	5200	7000	10600		n/a	---	---	---	---	---	---	---	850	950	1000
F350 SUPER DUTY	4x4	Reg Cab	No	8.0 Box	6.0L D	5200	7000	10000		n/a	---	---	---	---	---	---	---	850	950	1000
F350 SUPER DUTY	4x4	Reg Cab	No	8.0 Box	6.0L D	5200	6390	10600		n/a	---	---	---	---	---	---	---	850	950	1000
F350 SUPER DUTY	4x4	Reg Cab	No	8.0 Box	6.8L V10	5600	7000	10200		n/a	---	---	---	---	---	---	---	500	500	500
F350 SUPER DUTY	4x4	Reg Cab	No	8.0 Box	6.8L V10	5600	7000	10000		n/a	---	---	---	---	---	---	---	500	500	500
F350 SUPER DUTY	4x4	Reg Cab	No	8.0 Box	6.8L V10	5600	6390	10200		n/a	---	---	---	---	---	---	---	500	500	500
F350 SUPER DUTY	4x4	Reg Cab	No	8.0 Box	6.8L V10	5600	6390	10000		n/a	---	---	---	---	---	---	---	500	500	500
F350 SUPER DUTY	4x4	Reg Cab	No	8.0 Box	6.8L V10	5200	7000	10200		n/a	---	---	---	---	---	---	---	500	500	500
F350 SUPER DUTY	4x4	Reg Cab	No	8.0 Box	6.8L V10	5200	7000	10000		n/a	---	---	---	---	---	---	---	500	500	500
F350 SUPER DUTY	4x4	Reg Cab	No	8.0 Box	6.8L V10	5200	6390	10200		n/a	---	---	---	---	---	---	---	600	700	750
F350 SUPER DUTY	4x4	Reg Cab	No	8.0 Box	6.8L V10	4800	7000	10000		n/a	---	---	---	---	---	---	---	600	700	750
F350 SUPER DUTY	4x4	Reg Cab	No	8.0 Box	6.8L V10	4800	6390	10200		n/a	---	---	---	---	---	---	---	600	700	750
F350 SUPER DUTY	4x4	Reg Cab	No	8.0 Box	6.8L V10	4800	6390	10000		n/a	---	---	---	---	---	---	---	600	700	750
F350 SUPER DUTY	4x4	Reg Cab	Yes	8.0 Box	5.4L V8	5600	9000	12000		n/a	---	---	---	---	---	---	---	200	200	200
F350 SUPER DUTY	4x4	Reg Cab	Yes	8.0 Box	5.4L V8	5200	9000	12000		n/a	---	---	---	---	---	---	---	200	200	200
F350 SUPER DUTY	4x4	Reg Cab	Yes	8.0 Box	5.4L V8	4800	9000	12000		n/a	---	---	---	---	---	---	---	450	500	500

- Notes:**
1. Ballast amounts are based on a "Representative Vehicle," defined in the vehicle selection guide instructions, and must be modified for all other configurations for axle and GVWR compliance.
 2. Recommended snowplow prep package whenever available.
 10. May require bumper or air dam notching.

2006 Ford

Section 1

Homesteader™, LD-Series & M-Series Snowplows



Blade Length	6'-8"	7'-4"
Blade Assembly	Personal	Personal
Blade Part Number	27547	27549
Common Attachment Kit / Headgear Kit	27550	
Hydraulic Kit	27517	
Common Light	8435	
Choose a Hand-Held Control	9400	
or a Joystick Control	8292	



6'-9" LD	7'-1/2" LD	7'-1/2" RD M	8' HD M	8-1/2' HD M	9' HD M
28069	27775	27500	28000	28500	29000
27750-1			27777		
9825-1			9840-2		
8435					
9400					
8292					

Model	Body Style	DRW	Box Option	Engine Type	Min F G A W R	Min R G A W R	Min G V W R	Peculiar Light Kit	Personal Plow system		Ballast Guidelines, lbs (1)	MM2 system		Ballast Guidelines, lbs (1)							
									Peculiar Att.Kit	Notes		Peculiar Att.Kit	Notes								
F350 SUPER DUTY	4x4	Reg Cab	Yes	8.0 Box	6.0L D	6000	9000	12600	n/a	---	---	---	7176	2,10	---	---	---	---	---	400	400
F350 SUPER DUTY	4x4	Reg Cab	Yes	8.0 Box	6.0L D	5600	9000	12600	n/a	---	---	---	7176	2,10	---	---	---	---	---	400	400
F350 SUPER DUTY	4x4	Reg Cab	Yes	8.0 Box	6.8L V10	5600	9000	12200	n/a	---	---	---	7176	2,10	---	---	---	---	---	250	250
F350 SUPER DUTY	4x4	Reg Cab	Yes	8.0 Box	6.8L V10	5200	9000	12200	n/a	---	---	---	7176	2,10	---	---	---	---	---	250	250
F350 SUPER DUTY	4x4	Reg Cab	Yes	8.0 Box	6.8L V10	4800	9000	12200	n/a	---	---	---	7176	2,10	---	---	---	---	---	850	950
F350 SUPER DUTY	4x4	Super Cab	No	6.8 Box	5.4L V8	5600	6390	10200	n/a	---	---	---	7176	2,10	---	---	---	---	350	350	350
F350 SUPER DUTY	4x4	Super Cab	No	6.8 Box	5.4L V8	5600	6390	10000	n/a	---	---	---	7176	2,10	---	---	---	---	350	350	350
F350 SUPER DUTY	4x4	Super Cab	No	6.8 Box	5.4L V8	5200	6390	10200	n/a	---	---	---	7176	2,10	---	---	---	---	350	350	350
F350 SUPER DUTY	4x4	Super Cab	No	6.8 Box	5.4L V8	5200	6390	10000	n/a	---	---	---	7176	2,10	---	---	---	---	350	350	350
F350 SUPER DUTY	4x4	Super Cab	No	6.8 Box	5.4L V8	4800	6390	10200	n/a	---	---	---	7176	2,10	---	---	---	---	500	600	650
F350 SUPER DUTY	4x4	Super Cab	No	6.8 Box	5.4L V8	4800	6390	10000	n/a	---	---	---	7176	2,10	---	---	---	---	500	600	650
F350 SUPER DUTY	4x4	Super Cab	No	6.8 Box	6.0L D	6000	7000	10800	n/a	---	---	---	7176	2,10	---	---	---	---	550	600	600
F350 SUPER DUTY	4x4	Super Cab	No	6.8 Box	6.0L D	6000	7000	10000	n/a	---	---	---	7176	2,10	---	---	---	---	550	600	600
F350 SUPER DUTY	4x4	Super Cab	No	6.8 Box	6.0L D	6000	6390	10800	n/a	---	---	---	7176	2,10	---	---	---	---	550	600	600
F350 SUPER DUTY	4x4	Super Cab	No	6.8 Box	6.0L D	6000	6390	10000	n/a	---	---	---	7176	2,10	---	---	---	---	550	600	600
F350 SUPER DUTY	4x4	Super Cab	No	6.8 Box	6.0L D	5600	6390	10800	n/a	---	---	---	7176	2,10	---	---	---	---	550	600	600
F350 SUPER DUTY	4x4	Super Cab	No	6.8 Box	6.0L D	5600	6390	10000	n/a	---	---	---	7176	2,10	---	---	---	---	550	600	600
F350 SUPER DUTY	4x4	Super Cab	No	6.8 Box	6.8L V10	5600	6390	10400	n/a	---	---	---	7176	2,10	---	---	---	---	400	400	450
F350 SUPER DUTY	4x4	Super Cab	No	6.8 Box	6.8L V10	5600	6390	10000	n/a	---	---	---	7176	2,10	---	---	---	---	400	400	450
F350 SUPER DUTY	4x4	Super Cab	No	6.8 Box	6.8L V10	5200	6390	10400	n/a	---	---	---	7176	2,10	---	---	---	---	400	400	450
F350 SUPER DUTY	4x4	Super Cab	No	6.8 Box	6.8L V10	5200	6390	10000	n/a	---	---	---	7176	2,10	---	---	---	---	400	400	450
F350 SUPER DUTY	4x4	Super Cab	No	6.8 Box	6.8L V10	4800	6390	10400	n/a	---	---	---	7176	2,10	---	---	---	---	900	1000	---
F350 SUPER DUTY	4x4	Super Cab	No	6.8 Box	6.8L V10	4800	6390	10000	n/a	---	---	---	7176	2,10	---	---	---	---	900	1000	---
F350 SUPER DUTY	4x4	Super Cab	No	8.0 Box	5.4L V8	5600	6390	10400	n/a	---	---	---	7176	2,10	---	---	---	---	350	400	400
F350 SUPER DUTY	4x4	Super Cab	No	8.0 Box	5.4L V8	5600	6390	10000	n/a	---	---	---	7176	2,10	---	---	---	---	350	400	400
F350 SUPER DUTY	4x4	Super Cab	No	8.0 Box	5.4L V8	5200	6390	10400	n/a	---	---	---	7176	2,10	---	---	---	---	350	400	400
F350 SUPER DUTY	4x4	Super Cab	No	8.0 Box	5.4L V8	5200	6390	10000	n/a	---	---	---	7176	2,10	---	---	---	---	350	400	400
F350 SUPER DUTY	4x4	Super Cab	No	8.0 Box	5.4L V8	4800	6390	10400	n/a	---	---	---	7176	2,10	---	---	---	---	900	1000	---
F350 SUPER DUTY	4x4	Super Cab	No	8.0 Box	5.4L V8	4800	6390	10000	n/a	---	---	---	7176	2,10	---	---	---	---	900	1000	---
F350 SUPER DUTY	4x4	Super Cab	No	8.0 Box	6.0L D	6000	6390	11000	n/a	---	---	---	7176	2,10	---	---	---	---	600	600	600
F350 SUPER DUTY	4x4	Super Cab	No	8.0 Box	6.0L D	6000	6390	10000	n/a	---	---	---	7176	2,10	---	---	---	---	600	600	600
F350 SUPER DUTY	4x4	Super Cab	No	8.0 Box	6.0L D	5600	6390	11000	n/a	---	---	---	7176	2,10	---	---	---	---	600	600	600
F350 SUPER DUTY	4x4	Super Cab	No	8.0 Box	6.0L D	5600	6390	10000	n/a	---	---	---	7176	2,10	---	---	---	---	600	600	600

- Notes:**
- Ballast amounts are based on a "Representative Vehicle," defined in the vehicle selection guide instructions, and must be modified for all other configurations for axle and GVWR compliance.
 - Recommended snowplow prep package whenever available.
 - May require bumper or air dam notching.

2006 Ford

Section 1

Homesteader™, LD-Series & M-Series Snowplows



Blade Length	6'-8"	7'-4"
Blade Assembly	Personal	Personal
Blade Part Number	27547	27549
Common Attachment Kit / Headgear Kit	27550	
Hydraulic Kit	27517	
Common Light	8435	
Choose a Hand-Held Control or a Joystick Control	9400	
	8292	



6'-9" LD	7'-1/2" LD	7'-1/2" RD M	8' HD M	8-1/2' HD M	9' HD M
28069	27775	27500	28000	28500	29000
27750-1			27777		
9825-1			9840-2		
8435					
9400					
8292					

Model	Body Style	DRW	Box Option	Engine Type	Min F G A W R	Min R G A W R	Min G V W R	Peculiar Light Kit	Personal Plow system		Ballast Guidelines, lbs (1)	MM2 system		Ballast Guidelines, lbs (1)							
									Peculiar Att.Kit	Notes		Peculiar Att.Kit	Notes	1	2	3	4	5	6		
F350 SUPER DUTY	4x4	Super Cab	No	8.0 Box	6.8L V10	5600	6390	10600		n/a	---	---	---	7176	2,10	---	---	---	450	450	450
F350 SUPER DUTY	4x4	Super Cab	No	8.0 Box	6.8L V10	5600	6390	10000		n/a	---	---	---	7176	2,10	---	---	---	450	450	450
F350 SUPER DUTY	4x4	Super Cab	No	8.0 Box	6.8L V10	5200	6390	10600		n/a	---	---	---	7176	2,10	---	---	---	450	450	450
F350 SUPER DUTY	4x4	Super Cab	No	8.0 Box	6.8L V10	5200	6390	10000		n/a	---	---	---	7176	2,10	---	---	---	450	450	450
F350 SUPER DUTY	4x4	Super Cab	Yes	8.0 Box	5.4L V8	5600	9000	12400		n/a	---	---	---	7176	2,10	---	---	---	0	0	0
F350 SUPER DUTY	4x4	Super Cab	Yes	8.0 Box	5.4L V8	5200	9000	12400		n/a	---	---	---	7176	2,10	---	---	---	0	0	0
F350 SUPER DUTY	4x4	Super Cab	Yes	8.0 Box	5.4L V8	4800	9000	12400		n/a	---	---	---	7176	2,10	---	---	---	0	0	0
F350 SUPER DUTY	4x4	Super Cab	Yes	8.0 Box	6.0L D	6000	9000	13000		n/a	---	---	---	7176	2,10	---	---	---	350	400	400
F350 SUPER DUTY	4x4	Super Cab	Yes	8.0 Box	6.0L D	5600	9000	13000		n/a	---	---	---	7176	2,10	---	---	---	400	500	500
F350 SUPER DUTY	4x4	Super Cab	Yes	8.0 Box	6.8L V10	6000	9000	12600		n/a	---	---	---	7176	2,10	---	---	---	200	200	200
F350 SUPER DUTY	4x4	Super Cab	Yes	8.0 Box	6.8L V10	5600	9000	12600		n/a	---	---	---	7176	2,10	---	---	---	200	200	200
F350 SUPER DUTY	4x4	Super Cab	Yes	8.0 Box	6.8L V10	5200	9000	12600		n/a	---	---	---	7176	2,10	---	---	---	200	300	300
F350 SUPER DUTY	4x4	Crew Cab	No	6.8 Box	5.4L V8	5600	6390	10400		n/a	---	---	---	7176	2,10	---	---	---	350	350	350
F350 SUPER DUTY	4x4	Crew Cab	No	6.8 Box	5.4L V8	5600	6390	10000		n/a	---	---	---	7176	2,10	---	---	---	350	350	350
F350 SUPER DUTY	4x4	Crew Cab	No	6.8 Box	5.4L V8	5200	6390	10400		n/a	---	---	---	7176	2,10	---	---	---	350	350	350
F350 SUPER DUTY	4x4	Crew Cab	No	6.8 Box	5.4L V8	5200	6390	10000		n/a	---	---	---	7176	2,10	---	---	---	350	350	350
F350 SUPER DUTY	4x4	Crew Cab	No	6.8 Box	5.4L V8	4800	6390	10400		n/a	---	---	---	7176	2,10	---	---	---	950	1000	---
F350 SUPER DUTY	4x4	Crew Cab	No	6.8 Box	5.4L V8	4800	6390	10000		n/a	---	---	---	7176	2,10	---	---	---	950	1000	---
F350 SUPER DUTY	4x4	Crew Cab	No	6.8 Box	6.0L D	6000	6390	11000		n/a	---	---	---	7176	2,10	---	---	---	550	550	600
F350 SUPER DUTY	4x4	Crew Cab	No	6.8 Box	6.0L D	6000	6390	10000		n/a	---	---	---	7176	2,10	---	---	---	550	550	600
F350 SUPER DUTY	4x4	Crew Cab	No	6.8 Box	6.0L D	5600	6390	11000		n/a	---	---	---	7176	2,10	---	---	---	550	550	600
F350 SUPER DUTY	4x4	Crew Cab	No	6.8 Box	6.0L D	5600	6390	10000		n/a	---	---	---	7176	2,10	---	---	---	550	550	600
F350 SUPER DUTY	4x4	Crew Cab	No	6.8 Box	6.8L V10	5600	6390	10600		n/a	---	---	---	7176	2,10	---	---	---	400	400	400
F350 SUPER DUTY	4x4	Crew Cab	No	6.8 Box	6.8L V10	5600	6390	10000		n/a	---	---	---	7176	2,10	---	---	---	400	400	400
F350 SUPER DUTY	4x4	Crew Cab	No	6.8 Box	6.8L V10	5200	6390	10600		n/a	---	---	---	7176	2,10	---	---	---	400	400	400
F350 SUPER DUTY	4x4	Crew Cab	No	6.8 Box	6.8L V10	5200	6390	10000		n/a	---	---	---	7176	2,10	---	---	---	400	400	400
F350 SUPER DUTY	4x4	Crew Cab	No	8.0 Box	5.4L V8	5600	6390	10600		n/a	---	---	---	7176	2,10	---	---	---	350	400	400
F350 SUPER DUTY	4x4	Crew Cab	No	8.0 Box	5.4L V8	5600	6390	10000		n/a	---	---	---	7176	2,10	---	---	---	350	400	400
F350 SUPER DUTY	4x4	Crew Cab	No	8.0 Box	5.4L V8	5200	6390	10600		n/a	---	---	---	7176	2,10	---	---	---	350	400	400
F350 SUPER DUTY	4x4	Crew Cab	No	8.0 Box	5.4L V8	5200	6390	10000		n/a	---	---	---	7176	2,10	---	---	---	350	400	400
F350 SUPER DUTY	4x4	Crew Cab	No	8.0 Box	6.0L D	6000	6390	11200		n/a	---	---	---	7176	2,10	---	---	---	600	600	600
F350 SUPER DUTY	4x4	Crew Cab	No	8.0 Box	6.0L D	6000	6390	10000		n/a	---	---	---	7176	2,10	---	---	---	600	600	600
F350 SUPER DUTY	4x4	Crew Cab	No	8.0 Box	6.0L D	5600	6390	11200		n/a	---	---	---	7176	2,10	---	---	---	600	600	700
F350 SUPER DUTY	4x4	Crew Cab	No	8.0 Box	6.0L D	5600	6390	10000		n/a	---	---	---	7176	2,10	---	---	---	600	600	700

- Notes:**
- Ballast amounts are based on a "Representative Vehicle," defined in the vehicle selection guide instructions, and must be modified for all other configurations for axle and GVWR compliance.
 - Recommended snowplow prep package whenever available.
 - May require bumper or air dam notching.

2006 Ford

Section 1

Homesteader™, LD-Series & M-Series Snowplows



Blade Length	6'-8"	7'-4"
Blade Assembly	Personal	Personal
Blade Part Number	27547	27549
Common Attachment Kit / Headgear Kit	27550	
Hydraulic Kit	27517	
Common Light	8435	
Choose a Hand-Held Control	9400	
or a Joystick Control	8292	



6'-9" LD	7'-1/2" LD	7'-1/2" RD M	8' HD M	8-1/2" HD M	9' HD M
28069	27775	27500	28000	28500	29000
27750-1			27777		
9825-1			9840-2		
8435					
9400					
8292					

Model	Body Style	DRW	Box Option	Engine Type	Min F G A W R	Min R G A W R	Min G V W R	Peculiar Light Kit	Personal Plow system		Ballast Guidelines, lbs (1)	MM2 system		Ballast Guidelines, lbs (1)							
									Peculiar Att.Kit	Notes		Peculiar Att.Kit	Notes								
F350 SUPER DUTY	4x4	Crew Cab	No	8.0 Box	6.8L V10	5600	6390	10800	n/a	---	---	---	7176	2,10	---	---	---	---	400	450	450
F350 SUPER DUTY	4x4	Crew Cab	No	8.0 Box	6.8L V10	5600	6390	10000	n/a	---	---	---	7176	2,10	---	---	---	---	400	450	450
F350 SUPER DUTY	4x4	Crew Cab	No	8.0 Box	6.8L V10	5200	6390	10800	n/a	---	---	---	7176	2,10	---	---	---	---	400	450	450
F350 SUPER DUTY	4x4	Crew Cab	No	8.0 Box	6.8L V10	5200	6390	10000	n/a	---	---	---	7176	2,10	---	---	---	---	400	450	450
F350 SUPER DUTY	4x4	Crew Cab	Yes	6.8 Box	6.0L D	6000	9000	13000	n/a	---	---	---	7176	2,10	---	---	---	---	350	350	350
F350 SUPER DUTY	4x4	Crew Cab	Yes	6.8 Box	6.0L D	5600	9000	13000	n/a	---	---	---	7176	2,10	---	---	---	---	400	450	450
F350 SUPER DUTY	4x4	Crew Cab	Yes	6.8 Box	6.8L V10	5600	9000	12600	n/a	---	---	---	7176	2,10	---	---	---	---	150	150	150
F350 SUPER DUTY	4x4	Crew Cab	Yes	6.8 Box	6.8L V10	5200	9000	12600	n/a	---	---	---	7176	2,10	---	---	---	---	150	150	150
F350 SUPER DUTY	4x4	Crew Cab	Yes	8.0 Box	6.0L D	6000	9000	13000	n/a	---	---	---	7176	2,10	---	---	---	---	350	350	350
F350 SUPER DUTY	4x4	Crew Cab	Yes	8.0 Box	6.0L D	5600	9000	13000	n/a	---	---	---	7176	2,10	---	---	---	---	800	900	900
F350 SUPER DUTY	4x4	Crew Cab	Yes	8.0 Box	6.8L V10	6000	9000	12600	n/a	---	---	---	7176	2,10	---	---	---	---	200	200	200
F350 SUPER DUTY	4x4	Crew Cab	Yes	8.0 Box	6.8L V10	5600	9000	12600	n/a	---	---	---	7176	2,10	---	---	---	---	200	200	200
F350 SUPER DUTY	4x4	Crew Cab	Yes	8.0 Box	6.8L V10	5200	9000	12600	n/a	---	---	---	7176	2,10	---	---	---	---	450	550	550
F350 SUPER DUTY	4x4	All	No	Chassis	All	All	All	8501	n/a	---	---	---	7176	2,10	---	---	---	?	?	?	?
F350 SUPER DUTY	4x2	Reg Cab	No	8.0 Box	6.8L V10	4400	7000	10100	n/a	---	---	---	7176	2,10,44	---	---	---	---	550	650	700
F350 SUPER DUTY	4x2	Reg Cab	No	8.0 Box	6.8L V10	4400	6390	10100	n/a	---	---	---	7176	2,10,44	---	---	---	---	550	650	700
F350 SUPER DUTY	4x2	Reg Cab	Yes	8.0 Box	5.4L V8	4250	9000	11800	n/a	---	---	---	7176	2,10,44	---	---	---	---	950	---	---
F350 SUPER DUTY	4x2	Reg Cab	Yes	8.0 Box	6.0L D	4850	9000	12400	n/a	---	---	---	7176	2,10,44	---	---	---	---	950	---	---
F350 SUPER DUTY	4x2	Reg Cab	Yes	8.0 Box	6.8L V10	4400	9000	12000	n/a	---	---	---	7176	2,10,44	---	---	---	---	850	900	900
F350 SUPER DUTY	4x2	Super Cab	No	6.8 Box	6.8L V10	4400	7000	10100	n/a	---	---	---	7176	2,10,44	---	---	---	---	850	950	1000
F350 SUPER DUTY	4x2	Super Cab	No	6.8 Box	6.8L V10	4400	6390	10100	n/a	---	---	---	7176	2,10,44	---	---	---	---	850	950	1000
F350 SUPER DUTY	4x2	Super Cab	No	8.0 Box	5.4L V8	4550	7000	10100	n/a	---	---	---	7176	2,10,44	---	---	---	---	250	350	450
F350 SUPER DUTY	4x2	Super Cab	No	8.0 Box	5.4L V8	4550	6390	10100	n/a	---	---	---	7176	2,10,44	---	---	---	---	250	350	450
F350 SUPER DUTY	4x2	Super Cab	No	8.0 Box	5.4L V8	4400	7000	10100	n/a	---	---	---	7176	2,10,44	---	---	---	---	900	950	---
F350 SUPER DUTY	4x2	Super Cab	No	8.0 Box	5.4L V8	4400	6390	10100	n/a	---	---	---	7176	2,10,44	---	---	---	---	900	950	---
F350 SUPER DUTY	4x2	Super Cab	No	8.0 Box	6.8L V10	4700	7000	10200	n/a	---	---	---	7176	2,10,44	---	---	---	---	300	300	300
F350 SUPER DUTY	4x2	Super Cab	No	8.0 Box	6.8L V10	4700	6390	10200	n/a	---	---	---	7176	2,10,44	---	---	---	---	300	300	300
F350 SUPER DUTY	4x2	Super Cab	No	8.0 Box	6.8L V10	4550	7000	10200	n/a	---	---	---	7176	2,10,44	---	---	---	---	650	700	800
F350 SUPER DUTY	4x2	Super Cab	No	8.0 Box	6.8L V10	4550	6390	10200	n/a	---	---	---	7176	2,10,44	---	---	---	---	650	700	800
F350 SUPER DUTY	4x2	Super Cab	Yes	8.0 Box	5.4L V8	4700	9000	12200	n/a	---	---	---	7176	2,10,44	---	---	---	---	0	0	0
F350 SUPER DUTY	4x2	Super Cab	Yes	8.0 Box	5.4L V8	4550	9000	12200	n/a	---	---	---	7176	2,10,44	---	---	---	---	550	650	650
F350 SUPER DUTY	4x2	Super Cab	Yes	8.0 Box	6.8L V10	4850	9000	12400	n/a	---	---	---	7176	2,10,44	---	---	---	---	50	50	50
F350 SUPER DUTY	4x2	Super Cab	Yes	8.0 Box	6.8L V10	4700	9000	12400	n/a	---	---	---	7176	2,10,44	---	---	---	---	300	400	400
F350 SUPER DUTY	4x2	Super Cab	Yes	8.0 Box	6.8L V10	4550	9000	12400	n/a	---	---	---	7176	2,10,44	---	---	---	---	950	---	---

Notes:
 1. Ballast amounts are based on a "Representative Vehicle," defined in the vehicle selection guide instructions, and must be modified for all other configurations for axle and GVWR compliance.
 2. Recommended snowplow prep package whenever available.

10. May require bumper or air dam notching.
 44. Minimum height required from ground to foremost point on frame bottom is 22.5".

2006 Ford

Section 1

Homesteader™, LD-Series & M-Series Snowplows



Blade Length	6'-8"	7'-4"
Blade Assembly	Personal	Personal
Blade Part Number	27547	27549
Common Attachment Kit / Headgear Kit	27550	
Hydraulic Kit	27517	
Common Light	8435	
Choose a Hand-Held Control	9400	
or a Joystick Control	8292	



6'-9" LD	7'-1/2" LD	7'-1/2" RD M	8' HD M	8-1/2" HD M	9' HD M
28069	27775	27500	28000	28500	29000
27750-1			27777		
9825-1			9840-2		
8435					
9400					
8292					

Model	Body Style	DRW	Box Option	Engine Type	Min F G A W R	Min R G A W R	Min G V W R	Peculiar Light Kit	Personal Plow system		Ballast Guidelines, lbs (1)	MM2 system		Ballast Guidelines, lbs (1)					
									Peculiar Att.Kit	Notes		Peculiar Att.Kit	Notes						
F350 SUPER DUTY	4x2	Crew Cab	No	6.8 Box	5.4L V8	4550	7000	10100	n/a	---	---	7176	2,10,44	---	---	---	300	350	450
F350 SUPER DUTY	4x2	Crew Cab	No	6.8 Box	5.4L V8	4550	6390	10100	n/a	---	---	7176	2,10,44	---	---	---	300	350	450
F350 SUPER DUTY	4x2	Crew Cab	No	6.8 Box	5.4L V8	4400	7000	10100	n/a	---	---	7176	2,10,44	---	---	---	900	1000	---
F350 SUPER DUTY	4x2	Crew Cab	No	6.8 Box	5.4L V8	4400	6390	10100	n/a	---	---	7176	2,10,44	---	---	---	900	1000	---
F350 SUPER DUTY	4x2	Crew Cab	No	6.8 Box	6.8L V10	4700	7000	10200	n/a	---	---	7176	2,10,44	---	---	---	250	250	300
F350 SUPER DUTY	4x2	Crew Cab	No	6.8 Box	6.8L V10	4700	6390	10200	n/a	---	---	7176	2,10,44	---	---	---	250	250	300
F350 SUPER DUTY	4x2	Crew Cab	No	6.8 Box	6.8L V10	4550	7000	10200	n/a	---	---	7176	2,10,44	---	---	---	700	800	850
F350 SUPER DUTY	4x2	Crew Cab	No	6.8 Box	6.8L V10	4550	6390	10200	n/a	---	---	7176	2,10,44	---	---	---	700	800	850
F350 SUPER DUTY	4x2	Crew Cab	No	8.0 Box	5.4L V8	4850	7000	10200	n/a	---	---	7176	2,10,44	---	---	---	250	250	250
F350 SUPER DUTY	4x2	Crew Cab	No	8.0 Box	5.4L V8	4850	6390	10200	n/a	---	---	7176	2,10,44	---	---	---	250	250	250
F350 SUPER DUTY	4x2	Crew Cab	No	8.0 Box	5.4L V8	4700	7000	10200	n/a	---	---	7176	2,10,44	---	---	---	250	250	250
F350 SUPER DUTY	4x2	Crew Cab	No	8.0 Box	5.4L V8	4700	6390	10200	n/a	---	---	7176	2,10,44	---	---	---	250	250	250
F350 SUPER DUTY	4x2	Crew Cab	No	8.0 Box	5.4L V8	4550	7000	10200	n/a	---	---	7176	2,10,44	---	---	---	750	800	900
F350 SUPER DUTY	4x2	Crew Cab	No	8.0 Box	5.4L V8	4550	6390	10200	n/a	---	---	7176	2,10,44	---	---	---	750	800	900
F350 SUPER DUTY	4x2	Crew Cab	No	8.0 Box	6.8L V10	4850	7000	10400	n/a	---	---	7176	2,10,44	---	---	---	300	300	300
F350 SUPER DUTY	4x2	Crew Cab	No	8.0 Box	6.8L V10	4850	6390	10400	n/a	---	---	7176	2,10,44	---	---	---	300	300	300
F350 SUPER DUTY	4x2	Crew Cab	No	8.0 Box	6.8L V10	4700	7000	10400	n/a	---	---	7176	2,10,44	---	---	---	500	600	700
F350 SUPER DUTY	4x2	Crew Cab	No	8.0 Box	6.8L V10	4700	6390	10400	n/a	---	---	7176	2,10,44	---	---	---	500	600	700
F350 SUPER DUTY	4x2	Crew Cab	Yes	6.8 Box	6.8L V10	4700	9000	12400	n/a	---	---	7176	2,10,44	---	---	---	---	500	550
F350 SUPER DUTY	4x2	Crew Cab	Yes	8.0 Box	6.8L V10	4850	9000	12600	n/a	---	---	7176	2,10,44	---	---	---	---	150	250
F350 SUPER DUTY	4x2	Crew Cab	Yes	8.0 Box	6.8L V10	4700	9000	12600	n/a	---	---	7176	2,10,44	---	---	---	---	850	900
F350 SUPER DUTY	4x2	All	No	Chassis	All	All	All	10001	n/a	---	---	7176	2,10,44	---	---	---	?	?	?
F350 SUPER DUTY	4x2	All	Yes	Chassis	All	All	All	10001	n/a	---	---	7176	2,10,44	---	---	---	---	?	?
F350 SUPER DUTY 18" / 20" Tires	4x4	Reg Cab	No	8.0 Box	5.4L V8	5600	7000	10500	n/a	---	---	7176	2,10	---	---	---	400	400	400
F350 SUPER DUTY 18" / 20" Tires	4x4	Reg Cab	No	8.0 Box	5.4L V8	5600	7000	10000	n/a	---	---	7176	2,10	---	---	---	400	400	400
F350 SUPER DUTY 18" / 20" Tires	4x4	Reg Cab	No	8.0 Box	5.4L V8	5200	7000	10500	n/a	---	---	7176	2,10	---	---	---	400	400	400
F350 SUPER DUTY 18" / 20" Tires	4x4	Reg Cab	No	8.0 Box	5.4L V8	5200	7000	10000	n/a	---	---	7176	2,10	---	---	---	400	400	400
F350 SUPER DUTY 18" / 20" Tires	4x4	Reg Cab	No	8.0 Box	5.4L V8	4800	7000	10500	n/a	---	---	7176	2,10	---	---	---	400	400	450
F350 SUPER DUTY 18" / 20" Tires	4x4	Reg Cab	No	8.0 Box	5.4L V8	4800	7000	10000	n/a	---	---	7176	2,10	---	---	---	400	400	450
F350 SUPER DUTY 18" / 20" Tires	4x4	Super Cab	No	6.8 Box	5.4L V8	5600	7000	10600	n/a	---	---	7176	2,10	---	---	---	350	350	350
F350 SUPER DUTY 18" / 20" Tires	4x4	Super Cab	No	6.8 Box	5.4L V8	5600	7000	10000	n/a	---	---	7176	2,10	---	---	---	350	350	350
F350 SUPER DUTY 18" / 20" Tires	4x4	Super Cab	No	6.8 Box	5.4L V8	5200	7000	10600	n/a	---	---	7176	2,10	---	---	---	350	350	350
F350 SUPER DUTY 18" / 20" Tires	4x4	Super Cab	No	6.8 Box	5.4L V8	5200	7000	10000	n/a	---	---	7176	2,10	---	---	---	350	350	350
F350 SUPER DUTY 18" / 20" Tires	4x4	Super Cab	No	6.8 Box	5.4L V8	4800	7000	10600	n/a	---	---	7176	2,10	---	---	---	600	700	750
F350 SUPER DUTY 18" / 20" Tires	4x4	Super Cab	No	6.8 Box	5.4L V8	4800	7000	10000	n/a	---	---	7176	2,10	---	---	---	600	700	750

Notes:
 1. Ballast amounts are based on a "Representative Vehicle," defined in the vehicle selection guide instructions, and must be modified for all other configurations for axle and GVWR compliance.
 2. Recommended snowplow prep package whenever available.

10. May require bumper or air dam notching.
 44. Minimum height required from ground to foremost point on frame bottom is 22.5".

2006 Ford

Section 1

Homesteader™, LD-Series & M-Series Snowplows



Blade Length	6'-8"	7'-4"
Blade Assembly	Personal	Personal
Blade Part Number	27547	27549
Common Attachment Kit / Headgear Kit	27550	
Hydraulic Kit	27517	
Common Light	8435	
Choose a Hand-Held Control	9400	
or a Joystick Control	8292	



6'-9" LD	7'-1/2" LD	7'-1/2" RD M	8' HD M	8-1/2" HD M	9' HD M
28069	27775	27500	28000	28500	29000
27750-1			27777		
9825-1			9840-2		
8435					
9400					
8292					

Model	Body Style	DRW	Box Option	Engine Type	Min F G A W R	Min R G A W R	Min G V W R	Peculiar Light Kit	Personal Plow system		Ballast Guidelines, lbs (1)	MM2 system		Ballast Guidelines, lbs (1)						
									Peculiar Att.Kit	Notes		Peculiar Att.Kit	Notes	1	2	3	4	5	6	
F350 SUPER DUTY 18" / 20" Tires	4x4	Super Cab	No	8.0 Box	5.4L V8	5600	7000	10800		n/a	---	---	---	---	---	---	---	350	350	400
F350 SUPER DUTY 18" / 20" Tires	4x4	Super Cab	No	8.0 Box	5.4L V8	5600	7000	10000		n/a	---	---	---	---	---	---	---	350	350	400
F350 SUPER DUTY 18" / 20" Tires	4x4	Super Cab	No	8.0 Box	5.4L V8	5200	7000	10800		n/a	---	---	---	---	---	---	---	350	350	400
F350 SUPER DUTY 18" / 20" Tires	4x4	Super Cab	No	8.0 Box	5.4L V8	5200	7000	10000		n/a	---	---	---	---	---	---	---	350	350	400
F350 SUPER DUTY 18" / 20" Tires	4x4	Crew Cab	No	6.8 Box	5.4L V8	5600	7000	10800		n/a	---	---	---	---	---	---	---	300	300	350
F350 SUPER DUTY 18" / 20" Tires	4x4	Crew Cab	No	6.8 Box	5.4L V8	5600	7000	10000		n/a	---	---	---	---	---	---	---	300	300	350
F350 SUPER DUTY 18" / 20" Tires	4x4	Crew Cab	No	6.8 Box	5.4L V8	5200	7000	10800		n/a	---	---	---	---	---	---	---	300	300	350
F350 SUPER DUTY 18" / 20" Tires	4x4	Crew Cab	No	6.8 Box	5.4L V8	5200	7000	10000		n/a	---	---	---	---	---	---	---	300	300	350
F350 SUPER DUTY 18" / 20" Tires	4x4	Crew Cab	No	6.8 Box	6.0L D	6000	6900	11400		n/a	---	---	---	---	---	---	---	550	550	550
F350 SUPER DUTY 18" / 20" Tires	4x4	Crew Cab	No	6.8 Box	6.0L D	6000	6900	10000		n/a	---	---	---	---	---	---	---	550	550	550
F350 SUPER DUTY 18" / 20" Tires	4x4	Crew Cab	No	6.8 Box	6.0L D	5600	6900	11400		n/a	---	---	---	---	---	---	---	550	550	550
F350 SUPER DUTY 18" / 20" Tires	4x4	Crew Cab	No	6.8 Box	6.0L D	5600	6900	10000		n/a	---	---	---	---	---	---	---	550	550	550
F350 SUPER DUTY 18" / 20" Tires	4x4	Crew Cab	No	6.8 Box	6.8L V10	5600	6900	11000		n/a	---	---	---	---	---	---	---	350	400	400
F350 SUPER DUTY 18" / 20" Tires	4x4	Crew Cab	No	6.8 Box	6.8L V10	5600	6900	10000		n/a	---	---	---	---	---	---	---	350	400	400
F350 SUPER DUTY 18" / 20" Tires	4x4	Crew Cab	No	6.8 Box	6.8L V10	5200	6900	11000		n/a	---	---	---	---	---	---	---	350	400	400
F350 SUPER DUTY 18" / 20" Tires	4x4	Crew Cab	No	6.8 Box	6.8L V10	5200	6900	10000		n/a	---	---	---	---	---	---	---	350	400	400
F350 SUPER DUTY 18" / 20" Tires	4x4	Crew Cab	No	8.0 Box	5.4L V8	6000	7000	11000		n/a	---	---	---	---	---	---	---	350	350	350
F350 SUPER DUTY 18" / 20" Tires	4x4	Crew Cab	No	8.0 Box	5.4L V8	6000	7000	10000		n/a	---	---	---	---	---	---	---	350	350	350
F350 SUPER DUTY 18" / 20" Tires	4x4	Crew Cab	No	8.0 Box	5.4L V8	5600	7000	10000		n/a	---	---	---	---	---	---	---	350	350	350
F350 SUPER DUTY 18" / 20" Tires	4x4	Crew Cab	No	8.0 Box	5.4L V8	5200	7000	11000		n/a	---	---	---	---	---	---	---	350	350	350
F350 SUPER DUTY 18" / 20" Tires	4x4	Crew Cab	No	8.0 Box	5.4L V8	5200	7000	10000		n/a	---	---	---	---	---	---	---	350	350	350
F350 SUPER DUTY 18" / 20" Tires	4x4	Crew Cab	No	8.0 Box	6.0L D	6000	6900	11500		n/a	---	---	---	---	---	---	---	550	600	600
F350 SUPER DUTY 18" / 20" Tires	4x4	Crew Cab	No	8.0 Box	6.0L D	6000	6900	10000		n/a	---	---	---	---	---	---	---	550	600	600
F350 SUPER DUTY 18" / 20" Tires	4x4	Crew Cab	No	8.0 Box	6.0L D	5600	6900	11500		n/a	---	---	---	---	---	---	---	650	700	800
F350 SUPER DUTY 18" / 20" Tires	4x4	Crew Cab	No	8.0 Box	6.0L D	5600	6900	10000		n/a	---	---	---	---	---	---	---	650	700	800
F350 SUPER DUTY 18" / 20" Tires	4x4	Crew Cab	No	8.0 Box	6.8L V10	5600	6900	11200		n/a	---	---	---	---	---	---	---	400	400	400
F350 SUPER DUTY 18" / 20" Tires	4x4	Crew Cab	No	8.0 Box	6.8L V10	5600	6900	10000		n/a	---	---	---	---	---	---	---	400	400	400
F350 SUPER DUTY 18" / 20" Tires	4x4	Crew Cab	No	8.0 Box	6.8L V10	5200	6900	11200		n/a	---	---	---	---	---	---	---	400	400	450
F350 SUPER DUTY 18" / 20" Tires	4x4	Crew Cab	No	8.0 Box	6.8L V10	5200	6900	10000		n/a	---	---	---	---	---	---	---	400	400	450
F350 SUPER DUTY 18" / 20" Tires	4x2	Reg Cab	No	8.0 Box	6.0L D	4850	7000	10700		n/a	---	---	---	---	---	---	---	800	900	950
F350 SUPER DUTY 18" / 20" Tires	4x2	Reg Cab	No	8.0 Box	6.0L D	4850	6830	10700		n/a	---	---	---	---	---	---	---	800	900	950
F350 SUPER DUTY 18" / 20" Tires	4x2	Reg Cab	No	8.0 Box	6.8L V10	4400	7000	10300		n/a	---	---	---	---	---	---	---	700	750	800
F350 SUPER DUTY 18" / 20" Tires	4x2	Reg Cab	No	8.0 Box	6.8L V10	4400	6390	10300		n/a	---	---	---	---	---	---	---	700	750	800

Notes:
 1. Ballast amounts are based on a "Representative Vehicle," defined in the vehicle selection guide instructions, and must be modified for all other configurations for axle and GVWR compliance.
 2. Recommended snowplow prep package whenever available.

10. May require bumper or air dam notching.
 44. Minimum height required from ground to foremost point on frame bottom is 22.5".

2006 Ford

Section 1

Homesteader™, LD-Series & M-Series Snowplows



Blade Length	6'-8"	7'-4"
Blade Assembly	Personal	Personal
Blade Part Number	27547	27549
Common Attachment Kit / Headgear Kit	27550	
Hydraulic Kit	27517	
Common Light	8435	
Choose a Hand-Held Control	9400	
or a Joystick Control	8292	



6'-9" LD	7'-1/2" LD	7'-1/2" RD M	8' HD M	8-1/2' HD M	9' HD M
28069	27775	27500	28000	28500	29000
27750-1			27777		
9825-1			9840-2		
8435					
9400					
8292					

Model	Body Style	DRW	Box Option	Engine Type	Min F G A W R	Min R G A W R	Min G V W R	Peculiar Light Kit	Personal Plow system		Ballast Guidelines, lbs (1)	MM2 system		Ballast Guidelines, lbs (1)												
									Peculiar Att.Kit	Notes		Peculiar Att.Kit	Notes	600	700	750	600	700	750							
F350 SUPER DUTY 18" / 20" Tires	4x2	Super Cab	No	6.8 Box	5.4L V8	4400	7000	10200	n/a	---	---	---	7176	2,10,44	---	---	---	600	700	750	---	---	---	---	---	---
F350 SUPER DUTY 18" / 20" Tires	4x2	Super Cab	No	6.8 Box	5.4L V8	4400	6830	10200	n/a	---	---	---	7176	2,10,44	---	---	---	600	700	750	---	---	---	---	---	---
F350 SUPER DUTY 18" / 20" Tires	4x2	Super Cab	No	6.8 Box	6.8L V10	4400	7000	10400	n/a	---	---	---	7176	2,10,44	---	---	---	950	---	---	---	---	---	---	---	---
F350 SUPER DUTY 18" / 20" Tires	4x2	Super Cab	No	6.8 Box	6.8L V10	4400	6830	10400	n/a	---	---	---	7176	2,10,44	---	---	---	950	---	---	---	---	---	---	---	---
F350 SUPER DUTY 18" / 20" Tires	4x2	Super Cab	No	8.0 Box	5.4L V8	4700	7000	10400	n/a	---	---	---	7176	2,10,44	---	---	---	200	250	250	---	---	---	---	---	---
F350 SUPER DUTY 18" / 20" Tires	4x2	Super Cab	No	8.0 Box	5.4L V8	4700	6830	10400	n/a	---	---	---	7176	2,10,44	---	---	---	200	250	250	---	---	---	---	---	---
F350 SUPER DUTY 18" / 20" Tires	4x2	Super Cab	No	8.0 Box	5.4L V8	4550	7000	10400	n/a	---	---	---	7176	2,10,44	---	---	---	400	450	550	---	---	---	---	---	---
F350 SUPER DUTY 18" / 20" Tires	4x2	Super Cab	No	8.0 Box	5.4L V8	4550	6830	10400	n/a	---	---	---	7176	2,10,44	---	---	---	400	450	550	---	---	---	---	---	---
F350 SUPER DUTY 18" / 20" Tires	4x2	Super Cab	No	8.0 Box	5.4L V8	4400	7000	10400	n/a	---	---	---	7176	2,10,44	---	---	---	1000	---	---	---	---	---	---	---	---
F350 SUPER DUTY 18" / 20" Tires	4x2	Super Cab	No	8.0 Box	6.8L V10	4700	7000	10600	n/a	---	---	---	7176	2,10,44	---	---	---	250	300	300	---	---	---	---	---	---
F350 SUPER DUTY 18" / 20" Tires	4x2	Super Cab	No	8.0 Box	6.8L V10	4700	6830	10600	n/a	---	---	---	7176	2,10,44	---	---	---	250	300	300	---	---	---	---	---	---
F350 SUPER DUTY 18" / 20" Tires	4x2	Super Cab	No	8.0 Box	6.8L V10	4550	7000	10600	n/a	---	---	---	7176	2,10,44	---	---	---	750	850	900	---	---	---	---	---	---
F350 SUPER DUTY 18" / 20" Tires	4x2	Super Cab	No	8.0 Box	6.8L V10	4550	6830	10600	n/a	---	---	---	7176	2,10,44	---	---	---	750	850	900	---	---	---	---	---	---
F350 SUPER DUTY 18" / 20" Tires	4x2	Crew Cab	No	6.8 Box	5.4L V8	4550	7000	10400	n/a	---	---	---	7176	2,10,44	---	---	---	400	500	550	---	---	---	---	---	---
F350 SUPER DUTY 18" / 20" Tires	4x2	Crew Cab	No	6.8 Box	5.4L V8	4550	6830	10400	n/a	---	---	---	7176	2,10,44	---	---	---	400	500	550	---	---	---	---	---	---
F350 SUPER DUTY 18" / 20" Tires	4x2	Crew Cab	No	6.8 Box	5.4L V8	4400	7000	10400	n/a	---	---	---	7176	2,10,44	---	---	---	1000	---	---	---	---	---	---	---	---
F350 SUPER DUTY 18" / 20" Tires	4x2	Crew Cab	No	6.8 Box	6.8L V10	4700	7000	10600	n/a	---	---	---	7176	2,10,44	---	---	---	250	300	350	---	---	---	---	---	---
F350 SUPER DUTY 18" / 20" Tires	4x2	Crew Cab	No	6.8 Box	6.8L V10	4700	6830	10600	n/a	---	---	---	7176	2,10,44	---	---	---	250	300	350	---	---	---	---	---	---
F350 SUPER DUTY 18" / 20" Tires	4x2	Crew Cab	No	6.8 Box	6.8L V10	4550	7000	10600	n/a	---	---	---	7176	2,10,44	---	---	---	800	900	1000	---	---	---	---	---	---
F350 SUPER DUTY 18" / 20" Tires	4x2	Crew Cab	No	6.8 Box	6.8L V10	4550	6830	10600	n/a	---	---	---	7176	2,10,44	---	---	---	800	900	1000	---	---	---	---	---	---
F350 SUPER DUTY 18" / 20" Tires	4x2	Crew Cab	No	8.0 Box	5.4L V8	4850	7000	10600	n/a	---	---	---	7176	2,10,44	---	---	---	200	200	250	---	---	---	---	---	---
F350 SUPER DUTY 18" / 20" Tires	4x2	Crew Cab	No	8.0 Box	5.4L V8	4850	6830	10600	n/a	---	---	---	7176	2,10,44	---	---	---	200	200	250	---	---	---	---	---	---
F350 SUPER DUTY 18" / 20" Tires	4x2	Crew Cab	No	8.0 Box	5.4L V8	4700	7000	10600	n/a	---	---	---	7176	2,10,44	---	---	---	200	250	350	---	---	---	---	---	---
F350 SUPER DUTY 18" / 20" Tires	4x2	Crew Cab	No	8.0 Box	5.4L V8	4700	6830	10600	n/a	---	---	---	7176	2,10,44	---	---	---	200	250	350	---	---	---	---	---	---
F350 SUPER DUTY 18" / 20" Tires	4x2	Crew Cab	No	8.0 Box	5.4L V8	4550	7000	10600	n/a	---	---	---	7176	2,10,44	---	---	---	850	950	---	---	---	---	---	---	---
F350 SUPER DUTY 18" / 20" Tires	4x2	Crew Cab	No	8.0 Box	5.4L V8	4550	6830	10600	n/a	---	---	---	7176	2,10,44	---	---	---	850	950	---	---	---	---	---	---	---
F350 SUPER DUTY 18" / 20" Tires	4x2	Crew Cab	No	8.0 Box	6.8L V10	4850	7000	10800	n/a	---	---	---	7176	2,10,44	---	---	---	250	300	300	---	---	---	---	---	---
F350 SUPER DUTY 18" / 20" Tires	4x2	Crew Cab	No	8.0 Box	6.8L V10	4850	6830	10800	n/a	---	---	---	7176	2,10,44	---	---	---	250	300	300	---	---	---	---	---	---
F350 SUPER DUTY 18" / 20" Tires	4x2	Crew Cab	No	8.0 Box	6.8L V10	4700	7000	10800	n/a	---	---	---	7176	2,10,44	---	---	---	650	750	800	---	---	---	---	---	---
F350 SUPER DUTY 18" / 20" Tires	4x2	Crew Cab	No	8.0 Box	6.8L V10	4700	6830	10800	n/a	---	---	---	7176	2,10,44	---	---	---	650	750	800	---	---	---	---	---	---
F450 SUPER DUTY	4x4	All	Yes	Chassis	All	All	All	15000	n/a	---	---	---	7176	2,10	---	---	---	---	?	?	---	---	---	---	---	---
F450 SUPER DUTY	4x2	All	Yes	Chassis	All	All	All	15000	n/a	---	---	---	7176	2,10	---	---	---	---	?	?	---	---	---	---	---	---

Notes:
 1. Ballast amounts are based on a "Representative Vehicle," defined in the vehicle selection guide instructions, and must be modified for all other configurations for axle and GVWR compliance.
 2. Recommended snowplow prep package whenever available.

10. May require bumper or air dam notching.
 44. Minimum height required from ground to foremost point on frame bottom is 22.5".

2006 Ford

Section 2

XBLADE™, MC-Series & EZ-V® Snowplows



Blade Length	7-1/2'	7-1/2'	8'	8'	8-1/2'	8-1/2'	9'	9'	10'	8-1/2'	9-1/2'	
Blade Assembly	X SS	X MS	X SS	X MS	X SS	X MS	X SS	X MS	MC	MC	EZ-V®	EZ-V®
Blade Part Number	27510	27512	28100	28200	28510	28520	29100	29200	29250	29350	28885	28895
Common Attachment Kit / Headgear Kit	28900	27777	28900	27777	28900	27777	28900	27777	29999		28888	
A-Frame Kit	n/a								28665		n/a	
Hydraulic Kit	9840-2								9835-1		9828-4	
Common Light	8435											
Choose a Hand-Held Control or a Joystick Control	9400										9800	
	8292											9900

Model	Body Style	DRW	Box Option	Engine Type	Min F G A W R	Min R G A W R	Min G V W R	Peculiar Light Kit	MM2 system		Ballast Guidelines, lbs (1)															
									Peculiar Att.Kit	Notes																
F150	4x4	Reg Cab	No	8.0 Box	5.4L V8	4300	4800	8200	H13 use 28400	7174	3	700	700	---	---	---	---	---	---	---	---	---	---	---	---	
F250 SUPER DUTY	4x4	Reg Cab	No	8.0 Box	5.4L V8	5600	6100	9000	H13 use 28400 or 2B use 8439	7176	2,10	450	450	500	500	500	500	500	500	500	---	---	450	500		
F250 SUPER DUTY	4x4	Reg Cab	No	8.0 Box	5.4L V8	5200	6100	9000		7176	2,10	450	450	500	500	500	500	500	500	500	---	---	450	500		
F250 SUPER DUTY	4x4	Reg Cab	No	8.0 Box	5.4L V8	4800	6100	9000		7176	2,10	450	450	550	550	700	700	800	800	---	---	450	750			
F250 SUPER DUTY	4x4	Reg Cab	No	8.0 Box	6.0L D	6000	6100	9600		7176	2,10	650	650	700	700	700	750	750	---	---	650	700				
F250 SUPER DUTY	4x4	Reg Cab	No	8.0 Box	6.0L D	5600	6100	9600		7176	2,10	650	650	700	700	750	750	750	---	---	650	700				
F250 SUPER DUTY	4x4	Reg Cab	No	8.0 Box	6.0L D	5200	6100	9600		7176	2,10	1000	1000	---	---	---	---	---	---	---	---	---	---	---	---	
F250 SUPER DUTY	4x4	Reg Cab	No	8.0 Box	6.8L V10	5600	6100	9200		7176	2,10	500	500	550	550	550	550	600	600	---	---	500	550			
F250 SUPER DUTY	4x4	Reg Cab	No	8.0 Box	6.8L V10	5200	6100	9200		7176	2,10	500	500	550	550	550	550	600	600	---	---	500	550			
F250 SUPER DUTY	4x4	Reg Cab	No	8.0 Box	6.8L V10	4800	6100	9200		7176	2,10	700	700	1000	1000	---	---	---	---	---	---	---	850	---		
F250 SUPER DUTY	4x4	Super Cab	No	6.8 Box	5.4L V8	5600	6100	9200		7176	2,10	350	350	400	400	450	450	450	450	---	---	350	400			
F250 SUPER DUTY	4x4	Super Cab	No	6.8 Box	5.4L V8	5200	6100	9200		7176	2,10	400	400	450	450	450	450	500	500	---	---	400	450			
F250 SUPER DUTY	4x4	Super Cab	No	6.8 Box	5.4L V8	4800	6100	9200		7176	2,10	600	600	900	900	1000	1000	---	---	---	---	750	---			
F250 SUPER DUTY	4x4	Super Cab	No	6.8 Box	6.0L D	6000	6100	9800		7176	2,10	600	600	650	650	650	650	700	700	---	---	600	650			
F250 SUPER DUTY	4x4	Super Cab	No	6.8 Box	6.0L D	5600	6100	9800		7176	2,10	600	600	650	650	700	700	700	700	---	---	600	650			
F250 SUPER DUTY	4x4	Super Cab	No	6.8 Box	6.8L V10	5600	6100	9400		7176	2,10	400	400	450	450	500	500	500	500	---	---	400	450			
F250 SUPER DUTY	4x4	Super Cab	No	6.8 Box	6.8L V10	5200	6100	9400		7176	2,10	450	450	500	500	500	500	550	550	---	---	450	500			
F250 SUPER DUTY	4x4	Super Cab	No	6.8 Box	6.8L V10	4800	6100	9400		7176	2,10	1000	1000	---	---	---	---	---	---	---	---	---	---	---	---	
F250 SUPER DUTY	4x4	Super Cab	No	8.0 Box	5.4L V8	5600	6100	9400		7176	2,10	400	400	450	450	450	450	500	500	---	---	400	450			
F250 SUPER DUTY	4x4	Super Cab	No	8.0 Box	5.4L V8	5200	6100	9400		7176	2,10	400	400	450	450	500	500	500	500	---	---	400	450			
F250 SUPER DUTY	4x4	Super Cab	No	8.0 Box	5.4L V8	4800	6100	9400		7176	2,10	1000	1000	---	---	---	---	---	---	---	---	---	---	---	---	
F250 SUPER DUTY	4x4	Super Cab	No	8.0 Box	6.0L D	6000	6100	10000		7176	2,10	600	600	650	650	700	700	700	700	---	---	600	650			
F250 SUPER DUTY	4x4	Super Cab	No	8.0 Box	6.0L D	5600	6100	10000		7176	2,10	650	650	700	700	700	700	800	800	---	---	650	750			
F250 SUPER DUTY	4x4	Super Cab	No	8.0 Box	6.8L V10	5600	6100	9600		7176	2,10	450	450	500	500	500	500	550	550	---	---	450	500			
F250 SUPER DUTY	4x4	Super Cab	No	8.0 Box	6.8L V10	5200	6100	9600		7176	2,10	450	450	500	500	550	550	550	550	---	---	450	500			
F250 SUPER DUTY	4x4	Crew Cab	No	6.8 Box	5.4L V8	5600	6100	9400		7176	2,10	350	350	400	400	400	400	450	450	---	---	350	400			
F250 SUPER DUTY	4x4	Crew Cab	No	6.8 Box	5.4L V8	5200	6100	9400		7176	2,10	350	350	400	400	450	450	450	450	---	---	350	400			
F250 SUPER DUTY	4x4	Crew Cab	No	6.8 Box	6.0L D	6000	6100	10000		7176	2,10	550	550	600	600	650	650	650	650	---	---	600	650			
F250 SUPER DUTY	4x4	Crew Cab	No	6.8 Box	6.0L D	5600	6100	10000		7176	2,10	600	600	650	650	650	650	800	800	---	---	600	750			
F250 SUPER DUTY	4x4	Crew Cab	No	6.8 Box	6.8L V10	5600	6100	9600		7176	2,10	400	400	450	450	450	450	500	500	---	---	400	450			
F250 SUPER DUTY	4x4	Crew Cab	No	6.8 Box	6.8L V10	5200	6100	9600		7176	2,10	400	400	450	450	500	500	500	500	---	---	400	450			

Notes:
 1. Ballast amounts are based on a "Representative Vehicle," defined in the vehicle selection guide instructions, and must be modified for all other configurations for axle and GVWR compliance.
 2. Recommended snowplow prep package whenever available.

3. Requires bumper notching.
 10. May require bumper or air dam notching.

2006 Ford

Section 2

XBLADE™, MC-Series & EZ-V® Snowplows



Blade Length
Blade Assembly
Blade Part Number
Common Attachment Kit / Headgear Kit
A-Frame Kit
Hydraulic Kit
Common Light
Choose a Hand-Held Control
or a Joystick Control

7-1/2' X SS	7-1/2' X MS	8' X SS	8' X MS	8-1/2' X SS	8-1/2' X MS	9' X SS	9' X MS	9' MC	10' MC	8-1/2' EZ-V®	9-1/2' EZ-V®
27510	27512	28100	28200	28510	28520	29100	29200	29250	29350	28885	28895
28900	27777	28900	27777	28900	27777	28900	27777	29999		28888	
n/a								28665		n/a	
9840-2								9835-1		9828-4	
						8435					
9400						9800					
8292						9900					

Model	Body Style	DRW	Box Option	Engine Type	Min FAWR	Min RAWR	Min GVWR	Peculiar Light Kit	MM2 system		Ballast Guidelines, lbs (1)											
									Peculiar Att.Kit	Notes	1	2	3	4	5	6	7	8	9	10	11	12
F250 SUPER DUTY	4x4	Crew Cab	No	8.0 Box	5.4L V8	5600	6100	9600	7176	2,10	400	400	450	450	450	450	450	450	---	---	400	450
F250 SUPER DUTY	4x4	Crew Cab	No	8.0 Box	5.4L V8	5200	6100	9600	7176	2,10	400	400	450	450	450	450	500	500	---	---	400	450
F250 SUPER DUTY	4x4	Crew Cab	No	8.0 Box	6.0L D	6000	6100	10000	7176	2,10	600	600	650	650	650	700	700	---	---	600	650	
F250 SUPER DUTY	4x4	Crew Cab	No	8.0 Box	6.0L D	5600	6100	10000	7176	2,10	600	600	950	950	---	---	---	---	---	---	850	---
F250 SUPER DUTY	4x4	Crew Cab	No	8.0 Box	6.8L V10	5600	6100	9800	7176	2,10	450	450	500	500	500	500	500	---	---	---	450	500
F250 SUPER DUTY	4x4	Crew Cab	No	8.0 Box	6.8L V10	5200	6100	9800	7176	2,10	450	450	550	550	700	700	850	850	---	---	450	800
F350 SUPER DUTY	4x4	Reg Cab	No	8.0 Box	5.4L V8	5600	7000	10000	7176	2,10	450	450	500	500	500	500	500	---	---	---	450	500
F350 SUPER DUTY	4x4	Reg Cab	No	8.0 Box	5.4L V8	5600	6390	10000	7176	2,10	450	450	500	500	500	500	500	---	---	---	450	500
F350 SUPER DUTY	4x4	Reg Cab	No	8.0 Box	5.4L V8	5200	7000	10000	7176	2,10	450	450	500	500	500	500	500	---	---	---	450	500
F350 SUPER DUTY	4x4	Reg Cab	No	8.0 Box	5.4L V8	5200	6390	10000	7176	2,10	450	450	500	500	500	500	500	---	---	---	450	500
F350 SUPER DUTY	4x4	Reg Cab	No	8.0 Box	5.4L V8	4800	7000	10000	7176	2,10	450	450	550	550	700	700	800	800	---	---	450	750
F350 SUPER DUTY	4x4	Reg Cab	No	8.0 Box	5.4L V8	4800	6390	10000	7176	2,10	450	450	550	550	700	700	800	800	---	---	450	750
F350 SUPER DUTY	4x4	Reg Cab	No	8.0 Box	6.0L D	6000	7000	10600	7176	2,10	650	650	700	700	700	700	750	750	---	---	650	700
F350 SUPER DUTY	4x4	Reg Cab	No	8.0 Box	6.0L D	6000	7000	10000	7176	2,10	650	650	700	700	700	700	750	750	---	---	650	700
F350 SUPER DUTY	4x4	Reg Cab	No	8.0 Box	6.0L D	6000	6390	10600	7176	2,10	650	650	700	700	700	700	750	750	---	---	650	700
F350 SUPER DUTY	4x4	Reg Cab	No	8.0 Box	6.0L D	6000	6390	10000	7176	2,10	650	650	700	700	700	700	750	750	---	---	650	700
F350 SUPER DUTY	4x4	Reg Cab	No	8.0 Box	6.0L D	6000	7000	10600	7176	2,10	650	650	700	700	700	700	750	750	---	---	650	700
F350 SUPER DUTY	4x4	Reg Cab	No	8.0 Box	6.0L D	6000	6390	10000	7176	2,10	650	650	700	700	700	700	750	750	---	---	650	700
F350 SUPER DUTY	4x4	Reg Cab	No	8.0 Box	6.0L D	5600	7000	10000	7176	2,10	650	650	700	700	700	700	750	750	---	---	650	700
F350 SUPER DUTY	4x4	Reg Cab	No	8.0 Box	6.0L D	5600	6390	10600	7176	2,10	650	650	700	700	700	700	750	750	---	---	650	700
F350 SUPER DUTY	4x4	Reg Cab	No	8.0 Box	6.0L D	5200	7000	10600	7176	2,10	950	950	---	---	---	---	---	---	---	---	---	---
F350 SUPER DUTY	4x4	Reg Cab	No	8.0 Box	6.0L D	5200	7000	10000	7176	2,10	950	950	---	---	---	---	---	---	---	---	---	---
F350 SUPER DUTY	4x4	Reg Cab	No	8.0 Box	6.0L D	5200	6390	10600	7176	2,10	950	950	---	---	---	---	---	---	---	---	---	---
F350 SUPER DUTY	4x4	Reg Cab	No	8.0 Box	6.0L D	5200	6390	10000	7176	2,10	950	950	---	---	---	---	---	---	---	---	---	---
F350 SUPER DUTY	4x4	Reg Cab	No	8.0 Box	6.8L V10	5600	7000	10200	7176	2,10	500	500	550	550	550	550	600	600	---	---	500	550
F350 SUPER DUTY	4x4	Reg Cab	No	8.0 Box	6.8L V10	5600	7000	10000	7176	2,10	500	500	550	550	550	550	600	600	---	---	500	550
F350 SUPER DUTY	4x4	Reg Cab	No	8.0 Box	6.8L V10	5600	6390	10200	7176	2,10	500	500	550	550	550	550	600	600	---	---	500	550
F350 SUPER DUTY	4x4	Reg Cab	No	8.0 Box	6.8L V10	5600	6390	10000	7176	2,10	500	500	550	550	550	550	600	600	---	---	500	550
F350 SUPER DUTY	4x4	Reg Cab	No	8.0 Box	6.8L V10	5200	7000	10200	7176	2,10	500	500	550	550	550	550	600	600	---	---	500	550
F350 SUPER DUTY	4x4	Reg Cab	No	8.0 Box	6.8L V10	5200	6390	10200	7176	2,10	500	500	550	550	550	550	600	600	---	---	500	550
F350 SUPER DUTY	4x4	Reg Cab	No	8.0 Box	6.8L V10	5200	6390	10000	7176	2,10	500	500	550	550	550	550	600	600	---	---	500	550
F350 SUPER DUTY	4x4	Reg Cab	No	8.0 Box	6.8L V10	4800	7000	10200	7176	2,10	700	700	1000	1000	---	---	---	---	---	---	850	---
F350 SUPER DUTY	4x4	Reg Cab	No	8.0 Box	6.8L V10	4800	7000	10000	7176	2,10	700	700	1000	1000	---	---	---	---	---	---	850	---
F350 SUPER DUTY	4x4	Reg Cab	No	8.0 Box	6.8L V10	4800	6390	10200	7176	2,10	700	700	1000	1000	---	---	---	---	---	---	850	---
F350 SUPER DUTY	4x4	Reg Cab	No	8.0 Box	6.8L V10	4800	6390	10000	7176	2,10	700	700	1000	1000	---	---	---	---	---	---	850	---

- Notes:**
- Ballast amounts are based on a "Representative Vehicle," defined in the vehicle selection guide instructions, and must be modified for all other configurations for axle and GVWR compliance.
 - Recommended snowplow prep package whenever available.
 - May require bumper or air dam notching.

2006 Ford

Section 2

XBLADE™, MC-Series & EZ-V® Snowplows



Blade Length
Blade Assembly
Blade Part Number
Common Attachment Kit / Headgear Kit
A-Frame Kit
Hydraulic Kit
Common Light
Choose a Hand-Held Control
or a Joystick Control

7-1/2'	7-1/2'	8'	8'	8-1/2'	8-1/2'	9'	9'	9'	10'	8-1/2'	9-1/2'
X SS	X MS	X SS	X MS	X SS	X MS	X SS	X MS	MC	MC	EZ-V®	EZ-V®
27510	27512	28100	28200	28510	28520	29100	29200	29250	29350	28885	28895
28900	27777	28900	27777	28900	27777	28900	27777	29999		28888	
n/a								28665		n/a	
9840-2								9835-1		9828-4	
8435											
9400										9800	
8292										9900	

Model	Body Style	DRW	Box Option	Engine Type	Min FAWR	Min RAWR	Min GVWR	Peculiar Light Kit	MM2 system		Ballast Guidelines, lbs (1)													
									Peculiar Att.Kit	Notes	7176	2,10	450	450	500	500	500	500	550	550	---	---	450	500
F350 SUPER DUTY	4x4	Super Cab	No	8.0 Box	6.8L V10	5600	6390	10600			7176	2,10	450	450	500	500	500	500	550	550	---	---	450	500
F350 SUPER DUTY	4x4	Super Cab	No	8.0 Box	6.8L V10	5600	6390	10000			7176	2,10	450	450	500	500	500	500	550	550	---	---	450	500
F350 SUPER DUTY	4x4	Super Cab	No	8.0 Box	6.8L V10	5200	6390	10600			7176	2,10	450	450	500	500	500	550	550	---	---	450	500	
F350 SUPER DUTY	4x4	Super Cab	No	8.0 Box	6.8L V10	5200	6390	10000			7176	2,10	450	450	500	500	500	550	550	---	---	450	500	
F350 SUPER DUTY	4x4	Super Cab	Yes	8.0 Box	5.4L V8	5600	9000	12400			7176	2,10	---	---	---	---	50	50	100	100	---	---	0	50
F350 SUPER DUTY	4x4	Super Cab	Yes	8.0 Box	5.4L V8	5200	9000	12400			7176	2,10	---	---	---	---	50	50	100	100	---	---	0	50
F350 SUPER DUTY	4x4	Super Cab	Yes	8.0 Box	5.4L V8	4800	9000	12400			7176	2,10	---	---	---	---	50	50	100	100	---	---	0	50
F350 SUPER DUTY	4x4	Super Cab	Yes	8.0 Box	6.0L D	6000	9000	13000			7176	2,10	---	---	---	---	450	450	450	450	---	---	350	400
F350 SUPER DUTY	4x4	Super Cab	Yes	8.0 Box	6.0L D	5600	9000	13000			7176	2,10	---	---	---	---	850	850	1000	1000	---	---	600	950
F350 SUPER DUTY	4x4	Super Cab	Yes	8.0 Box	6.8L V10	6000	9000	12600			7176	2,10	---	---	---	---	300	300	300	300	---	---	200	250
F350 SUPER DUTY	4x4	Super Cab	Yes	8.0 Box	6.8L V10	5600	9000	12600			7176	2,10	---	---	---	---	300	300	300	300	---	---	200	250
F350 SUPER DUTY	4x4	Super Cab	Yes	8.0 Box	6.8L V10	5200	9000	12600			7176	2,10	---	---	---	---	700	700	800	800	---	---	450	750
F350 SUPER DUTY	4x4	Crew Cab	No	6.8 Box	5.4L V8	5600	6390	10400			7176	2,10	350	350	400	400	400	400	450	450	---	---	350	400
F350 SUPER DUTY	4x4	Crew Cab	No	6.8 Box	5.4L V8	5600	6390	10000			7176	2,10	350	350	400	400	400	400	450	450	---	---	350	400
F350 SUPER DUTY	4x4	Crew Cab	No	6.8 Box	5.4L V8	5200	6390	10400			7176	2,10	350	350	400	400	400	400	450	450	---	---	350	400
F350 SUPER DUTY	4x4	Crew Cab	No	6.8 Box	5.4L V8	5200	6390	10000			7176	2,10	350	350	400	400	400	400	450	450	---	---	350	400
F350 SUPER DUTY	4x4	Crew Cab	No	6.8 Box	6.0L D	6000	6390	11000			7176	2,10	550	550	600	600	650	650	650	650	---	---	600	650
F350 SUPER DUTY	4x4	Crew Cab	No	6.8 Box	6.0L D	6000	6390	10000			7176	2,10	550	550	600	600	650	650	650	650	---	---	600	650
F350 SUPER DUTY	4x4	Crew Cab	No	6.8 Box	6.0L D	5600	6390	11000		H13 use 28400 or 28 use 8439	7176	2,10	550	550	600	600	650	650	800	800	---	---	600	750
F350 SUPER DUTY	4x4	Crew Cab	No	6.8 Box	6.0L D	5600	6390	10000			7176	2,10	550	550	600	600	650	650	800	800	---	---	600	750
F350 SUPER DUTY	4x4	Crew Cab	No	6.8 Box	6.8L V10	5600	6390	10600			7176	2,10	400	400	450	450	450	450	500	500	---	---	400	450
F350 SUPER DUTY	4x4	Crew Cab	No	6.8 Box	6.8L V10	5600	6390	10000			7176	2,10	400	400	450	450	450	450	500	500	---	---	400	450
F350 SUPER DUTY	4x4	Crew Cab	No	6.8 Box	6.8L V10	5200	6390	10600			7176	2,10	400	400	450	450	450	450	500	500	---	---	400	450
F350 SUPER DUTY	4x4	Crew Cab	No	6.8 Box	6.8L V10	5200	6390	10000			7176	2,10	400	400	450	450	450	450	500	500	---	---	400	450
F350 SUPER DUTY	4x4	Crew Cab	No	8.0 Box	5.4L V8	5600	6390	10600			7176	2,10	400	400	450	450	450	450	450	450	---	---	400	450
F350 SUPER DUTY	4x4	Crew Cab	No	8.0 Box	5.4L V8	5600	6390	10000			7176	2,10	400	400	450	450	450	450	450	450	---	---	400	450
F350 SUPER DUTY	4x4	Crew Cab	No	8.0 Box	5.4L V8	5200	6390	10000			7176	2,10	400	400	450	450	450	450	450	450	---	---	400	450
F350 SUPER DUTY	4x4	Crew Cab	No	8.0 Box	5.4L V8	5200	6390	10000			7176	2,10	400	400	450	450	450	450	450	450	---	---	400	450
F350 SUPER DUTY	4x4	Crew Cab	No	8.0 Box	6.0L D	6000	6390	11200			7176	2,10	600	600	650	650	650	650	700	700	---	---	600	650
F350 SUPER DUTY	4x4	Crew Cab	No	8.0 Box	6.0L D	6000	6390	10000			7176	2,10	600	600	650	650	650	650	700	700	---	---	600	650
F350 SUPER DUTY	4x4	Crew Cab	No	8.0 Box	6.0L D	5600	6390	11200			7176	2,10	600	600	950	950	---	---	---	---	---	---	850	---
F350 SUPER DUTY	4x4	Crew Cab	No	8.0 Box	6.0L D	5600	6390	10000			7176	2,10	600	600	950	950	---	---	---	---	---	---	850	---
F350 SUPER DUTY	4x4	Crew Cab	No	8.0 Box	6.8L V10	5600	6390	10800			7176	2,10	450	450	450	450	500	500	500	500	---	---	450	500
F350 SUPER DUTY	4x4	Crew Cab	No	8.0 Box	6.8L V10	5600	6390	10000			7176	2,10	450	450	450	450	500	500	500	500	---	---	450	500
F350 SUPER DUTY	4x4	Crew Cab	No	8.0 Box	6.8L V10	5200	6390	10800			7176	2,10	450	450	550	550	700	700	850	850	---	---	450	800
F350 SUPER DUTY	4x4	Crew Cab	No	8.0 Box	6.8L V10	5200	6390	10000			7176	2,10	450	450	550	550	700	700	850	850	---	---	450	800

Notes:
 1. Ballast amounts are based on a "Representative Vehicle," defined in the vehicle selection guide instructions, and must be modified for all other configurations for axle and GVWR compliance.
 2. Recommended snowplow prep package whenever available.
 10. May require bumper or air dam notching.

2006 Ford

Section 2

XBLADE™, MC-Series & EZ-V® Snowplows



Blade Length	7-1/2'	7-1/2'	8'	8'	8-1/2'	8-1/2'	9'	9'	10'	8-1/2'	9-1/2'	
Blade Assembly	X SS	X MS	X SS	X MS	X SS	X MS	X SS	X MS	MC	MC	EZ-V®	EZ-V®
Blade Part Number	27510	27512	28100	28200	28510	28520	29100	29200	29250	29350	28885	28895
Common Attachment Kit / Headgear Kit	28900	27777	28900	27777	28900	27777	28900	27777	29999		28888	
A-Frame Kit	n/a							28665		n/a		
Hydraulic Kit	9840-2							9835-1		9828-4		
Common Light	8435											
Choose a Hand-Held Control or a Joystick Control	9400										9800	
	8292											9900

Model	Body Style	DRW	Box Option	Engine Type	Min F G A W R	Min R G A W R	Min G V W R	Peculiar Light Kit	MM2 system		Ballast Guidelines, lbs (1)											
									Peculiar Att.Kit	Notes												
F350 SUPER DUTY	4x4	Crew Cab	Yes	6.8 Box	6.0L D	6000	9000	13000	7176	2,10	---	---	---	---	400	400	400	400	---	---	350	400
F350 SUPER DUTY	4x4	Crew Cab	Yes	6.8 Box	6.0L D	5600	9000	13000	7176	2,10	---	---	---	---	850	850	1000	1000	---	---	600	950
F350 SUPER DUTY	4x4	Crew Cab	Yes	6.8 Box	6.8L V10	5600	9000	12600	7176	2,10	---	---	---	---	200	200	250	250	---	---	150	200
F350 SUPER DUTY	4x4	Crew Cab	Yes	6.8 Box	6.8L V10	5200	9000	12600	7176	2,10	---	---	---	---	500	500	650	650	---	---	250	600
F350 SUPER DUTY	4x4	Crew Cab	Yes	8.0 Box	6.0L D	6000	9000	13000	7176	2,10	---	---	---	---	400	400	450	450	---	---	350	400
F350 SUPER DUTY	4x4	Crew Cab	Yes	8.0 Box	6.8L V10	6000	9000	12600	7176	2,10	---	---	---	---	250	250	250	250	---	---	200	250
F350 SUPER DUTY	4x4	Crew Cab	Yes	8.0 Box	6.8L V10	5600	9000	12600	7176	2,10	---	---	---	---	250	250	250	250	---	---	200	250
F350 SUPER DUTY	4x4	Crew Cab	Yes	8.0 Box	6.8L V10	5200	9000	12600	7176	2,10	---	---	---	---	950	950	---	---	---	---	700	---
F350 SUPER DUTY	4x4	All	No	Chassis	All	All	All	8501	7176	2,10	?	?	?	?	?	?	?	?	---	---	?	?
F350 SUPER DUTY	4x2	Reg Cab	No	8.0 Box	6.8L V10	4400	7000	10100	7176	2,10,44	650	650	950	950	---	---	---	---	---	---	850	---
F350 SUPER DUTY	4x2	Reg Cab	No	8.0 Box	6.8L V10	4400	6390	10100	7176	2,10,44	650	650	950	950	---	---	---	---	---	---	850	---
F350 SUPER DUTY	4x2	Reg Cab	Yes	8.0 Box	6.8L V10	4400	9000	12000	7176	2,10,44	---	---	---	---	---	---	---	---	---	---	1000	---
F350 SUPER DUTY	4x2	Super Cab	No	6.8 Box	6.8L V10	4400	7000	10100	7176	2,10,44	950	950	---	---	---	---	---	---	---	---	---	---
F350 SUPER DUTY	4x2	Super Cab	No	6.8 Box	6.8L V10	4400	6390	10100	7176	2,10,44	950	950	---	---	---	---	---	---	---	---	---	---
F350 SUPER DUTY	4x2	Super Cab	No	8.0 Box	5.4L V8	4550	7000	10100	7176	2,10,44	350	350	650	650	800	800	950	950	---	---	550	900
F350 SUPER DUTY	4x2	Super Cab	No	8.0 Box	5.4L V8	4550	6390	10100	7176	2,10,44	350	350	650	650	800	800	950	950	---	---	550	900
F350 SUPER DUTY	4x2	Super Cab	No	8.0 Box	5.4L V8	4400	7000	10100	7176	2,10,44	1000	1000	---	---	---	---	---	---	---	---	---	---
F350 SUPER DUTY	4x2	Super Cab	No	8.0 Box	5.4L V8	4400	6390	10100	7176	2,10,44	1000	1000	---	---	---	---	---	---	---	---	---	---
F350 SUPER DUTY	4x2	Super Cab	No	8.0 Box	6.8L V10	4700	7000	10200	7176	2,10,44	300	300	450	450	550	550	700	700	---	---	300	650
F350 SUPER DUTY	4x2	Super Cab	No	8.0 Box	6.8L V10	4700	6390	10200	7176	2,10,44	300	300	450	450	550	550	700	700	---	---	300	650
F350 SUPER DUTY	4x2	Super Cab	No	8.0 Box	6.8L V10	4550	7000	10200	7176	2,10,44	750	750	---	---	---	---	---	---	---	---	950	---
F350 SUPER DUTY	4x2	Super Cab	No	8.0 Box	6.8L V10	4550	6390	10200	7176	2,10,44	750	750	---	---	---	---	---	---	---	---	950	---
F350 SUPER DUTY	4x2	Super Cab	Yes	8.0 Box	5.4L V8	4700	9000	12200	7176	2,10,44	---	---	---	---	400	400	550	550	---	---	150	500
F350 SUPER DUTY	4x2	Super Cab	Yes	8.0 Box	5.4L V8	4550	9000	12200	7176	2,10,44	---	---	---	---	1000	1000	---	---	---	---	750	---
F350 SUPER DUTY	4x2	Super Cab	Yes	8.0 Box	6.8L V10	4850	9000	12400	7176	2,10,44	---	---	---	---	150	150	300	300	---	---	50	250
F350 SUPER DUTY	4x2	Super Cab	Yes	8.0 Box	6.8L V10	4700	9000	12400	7176	2,10,44	---	---	---	---	800	800	950	950	---	---	550	900
F350 SUPER DUTY	4x2	Crew Cab	No	6.8 Box	5.4L V8	4550	7000	10100	7176	2,10,44	400	400	700	700	850	850	950	950	---	---	600	900
F350 SUPER DUTY	4x2	Crew Cab	No	6.8 Box	5.4L V8	4550	6390	10100	7176	2,10,44	400	400	700	700	850	850	950	950	---	---	600	900
F350 SUPER DUTY	4x2	Crew Cab	No	6.8 Box	5.4L V8	4400	7000	10100	7176	2,10,44	1000	1000	---	---	---	---	---	---	---	---	---	---
F350 SUPER DUTY	4x2	Crew Cab	No	6.8 Box	5.4L V8	4400	6390	10100	7176	2,10,44	1000	1000	---	---	---	---	---	---	---	---	---	---
F350 SUPER DUTY	4x2	Crew Cab	No	6.8 Box	6.8L V10	4700	7000	10200	7176	2,10,44	250	250	500	500	650	650	750	750	---	---	400	700
F350 SUPER DUTY	4x2	Crew Cab	No	6.8 Box	6.8L V10	4700	6390	10200	7176	2,10,44	250	250	500	500	650	650	750	750	---	---	400	700
F350 SUPER DUTY	4x2	Crew Cab	No	6.8 Box	6.8L V10	4550	7000	10200	7176	2,10,44	800	800	---	---	---	---	---	---	---	---	1000	---
F350 SUPER DUTY	4x2	Crew Cab	No	6.8 Box	6.8L V10	4550	6390	10200	7176	2,10,44	800	800	---	---	---	---	---	---	---	---	1000	---

Notes:
 1. Ballast amounts are based on a "Representative Vehicle," defined in the vehicle selection guide instructions, and must be modified for all other configurations for axle and GVWR compliance.
 2. Recommended snowplow prep package whenever available.

10. May require bumper or air dam notching.
 44. Minimum height required from ground to foremost point on frame bottom is 22.5".

2006 Ford

Section 2

XBLADE™, MC-Series & EZ-V® Snowplows



Blade Length
Blade Assembly
Blade Part Number
Common Attachment Kit / Headgear Kit
A-Frame Kit
Hydraulic Kit
Common Light
Choose a Hand-Held Control
or a Joystick Control

7-1/2' X SS	7-1/2' X MS	8' X SS	8' X MS	8-1/2' X SS	8-1/2' X MS	9' X SS	9' X MS	9' MC	10' MC	8-1/2' EZ-V®	9-1/2' EZ-V®
27510	27512	28100	28200	28510	28520	29100	29200	29250	29350	28885	28895
28900	27777	28900	27777	28900	27777	28900	27777	29999		28888	
n/a								28665		n/a	
9840-2								9835-1		9828-4	
						8435					
9400						9800					
8292						9900					

Model	Body Style	DRW	Box Option	Engine Type	Min F G A W R	Min R G A W R	Min G V W R	Peculiar Light Kit	MM2 system		Ballast Guidelines, lbs (1)													
									Peculiar Att.Kit	Notes	7176	2,10,44	250	250	300	300	300	300	350	350	---	---	250	300
F350 SUPER DUTY	4x2	Crew Cab	No	8.0 Box	5.4L V8	4850	7000	10200			7176	2,10,44	250	250	300	300	300	300	350	350	---	---	250	300
F350 SUPER DUTY	4x2	Crew Cab	No	8.0 Box	5.4L V8	4850	6390	10200			7176	2,10,44	250	250	300	300	300	300	350	350	---	---	250	300
F350 SUPER DUTY	4x2	Crew Cab	No	8.0 Box	5.4L V8	4700	7000	10200			7176	2,10,44	250	250	500	500	650	650	800	800	---	---	400	750
F350 SUPER DUTY	4x2	Crew Cab	No	8.0 Box	5.4L V8	4700	6390	10200			7176	2,10,44	250	250	500	500	650	650	800	800	---	---	400	750
F350 SUPER DUTY	4x2	Crew Cab	No	8.0 Box	5.4L V8	4550	7000	10200			7176	2,10,44	850	850	---	---	---	---	---	---	---	---	---	---
F350 SUPER DUTY	4x2	Crew Cab	No	8.0 Box	5.4L V8	4550	6390	10200			7176	2,10,44	850	850	---	---	---	---	---	---	---	---	---	---
F350 SUPER DUTY	4x2	Crew Cab	No	8.0 Box	6.8L V10	4850	7000	10400			7176	2,10,44	300	300	350	350	450	450	550	550	---	---	300	550
F350 SUPER DUTY	4x2	Crew Cab	No	8.0 Box	6.8L V10	4850	6390	10400			7176	2,10,44	300	300	350	350	450	450	550	550	---	---	300	550
F350 SUPER DUTY	4x2	Crew Cab	No	8.0 Box	6.8L V10	4700	7000	10400			7176	2,10,44	650	650	950	950	---	---	---	---	---	---	850	---
F350 SUPER DUTY	4x2	Crew Cab	No	8.0 Box	6.8L V10	4700	6390	10400			7176	2,10,44	650	650	950	950	---	---	---	---	---	---	850	---
F350 SUPER DUTY	4x2	Crew Cab	Yes	6.8 Box	6.8L V10	4700	9000	12400			7176	2,10,44	---	---	---	---	950	950	---	---	---	---	700	---
F350 SUPER DUTY	4x2	Crew Cab	Yes	8.0 Box	6.8L V10	4850	9000	12600			7176	2,10,44	---	---	---	---	650	650	800	800	---	---	400	750
F350 SUPER DUTY	4x2	All	No	Chassis	All	All	All	10001			7176	2,10,44	?	?	?	?	?	?	?	?	---	---	?	?
F350 SUPER DUTY	4x2	All	Yes	Chassis	All	All	All	10001			7176	2,10,44	---	---	---	---	?	?	?	?	---	---	?	?
F350 SUPER DUTY 18" / 20" Tires	4x4	Reg Cab	No	8.0 Box	5.4L V8	5600	7000	10500			7176	2,10	400	400	450	450	500	500	500	500	---	---	400	450
F350 SUPER DUTY 18" / 20" Tires	4x4	Reg Cab	No	8.0 Box	5.4L V8	5600	7000	10000			7176	2,10	400	400	450	450	500	500	500	500	---	---	400	450
F350 SUPER DUTY 18" / 20" Tires	4x4	Reg Cab	No	8.0 Box	5.4L V8	5200	7000	10500			7176	2,10	400	400	450	450	500	500	500	500	---	---	400	450
F350 SUPER DUTY 18" / 20" Tires	4x4	Reg Cab	No	8.0 Box	5.4L V8	5200	7000	10000			7176	2,10	400	400	450	450	500	500	500	500	---	---	400	450
F350 SUPER DUTY 18" / 20" Tires	4x4	Reg Cab	No	8.0 Box	5.4L V8	4800	7000	10500			7176	2,10	400	400	650	650	800	800	900	900	---	---	550	850
F350 SUPER DUTY 18" / 20" Tires	4x4	Reg Cab	No	8.0 Box	5.4L V8	4800	7000	10000			7176	2,10	400	400	650	650	800	800	900	900	---	---	550	850
F350 SUPER DUTY 18" / 20" Tires	4x4	Super Cab	No	6.8 Box	5.4L V8	5600	7000	10600			7176	2,10	350	350	400	400	400	400	450	450	---	---	350	400
F350 SUPER DUTY 18" / 20" Tires	4x4	Super Cab	No	6.8 Box	5.4L V8	5600	7000	10000			7176	2,10	350	350	400	400	400	400	450	450	---	---	350	400
F350 SUPER DUTY 18" / 20" Tires	4x4	Super Cab	No	6.8 Box	5.4L V8	5200	7000	10600			7176	2,10	350	350	400	400	400	400	450	450	---	---	350	400
F350 SUPER DUTY 18" / 20" Tires	4x4	Super Cab	No	6.8 Box	5.4L V8	5200	7000	10000			7176	2,10	350	350	400	400	400	400	450	450	---	---	350	400
F350 SUPER DUTY 18" / 20" Tires	4x4	Super Cab	No	6.8 Box	5.4L V8	4800	7000	10600			7176	2,10	700	700	1000	1000	---	---	---	---	---	---	850	---
F350 SUPER DUTY 18" / 20" Tires	4x4	Super Cab	No	6.8 Box	5.4L V8	4800	7000	10000			7176	2,10	700	700	1000	1000	---	---	---	---	---	---	850	---
F350 SUPER DUTY 18" / 20" Tires	4x4	Super Cab	No	8.0 Box	5.4L V8	5600	7000	10800			7176	2,10	350	350	400	400	450	450	450	450	---	---	350	400
F350 SUPER DUTY 18" / 20" Tires	4x4	Super Cab	No	8.0 Box	5.4L V8	5600	7000	10000			7176	2,10	350	350	400	400	450	450	450	450	---	---	350	400
F350 SUPER DUTY 18" / 20" Tires	4x4	Super Cab	No	8.0 Box	5.4L V8	5200	7000	10800			7176	2,10	350	350	400	400	450	450	450	450	---	---	350	400
F350 SUPER DUTY 18" / 20" Tires	4x4	Super Cab	No	8.0 Box	5.4L V8	5200	7000	10000			7176	2,10	350	350	400	400	450	450	450	450	---	---	350	400
F350 SUPER DUTY 18" / 20" Tires	4x4	Crew Cab	No	6.8 Box	5.4L V8	5600	7000	10800			7176	2,10	300	300	350	350	400	400	400	400	---	---	350	400
F350 SUPER DUTY 18" / 20" Tires	4x4	Crew Cab	No	6.8 Box	5.4L V8	5600	7000	10000			7176	2,10	300	300	350	350	400	400	400	400	---	---	350	400
F350 SUPER DUTY 18" / 20" Tires	4x4	Crew Cab	No	6.8 Box	5.4L V8	5200	7000	10800			7176	2,10	300	300	350	350	400	400	400	400	---	---	350	400
F350 SUPER DUTY 18" / 20" Tires	4x4	Crew Cab	No	6.8 Box	5.4L V8	5200	7000	10000			7176	2,10	300	300	350	350	400	400	400	400	---	---	350	400

Notes:
1. Ballast amounts are based on a "Representative Vehicle," defined in the vehicle selection guide instructions, and must be modified for all other configurations for axle and GVWR compliance.
2. Recommended snowplow prep package whenever available.

10. May require bumper or air dam notching.
44. Minimum height required from ground to foremost point on frame bottom is 22.5".

2006 Ford

Section 2

XBLADE™, MC-Series & EZ-V® Snowplows



Blade Length	7-1/2'	7-1/2'	8'	8'	8-1/2'	8-1/2'	9'	9'	9'	10'	8-1/2'	9-1/2'
Blade Assembly	X SS	X MS	X SS	X MS	X SS	X MS	X SS	X MS	MC	MC	EZ-V®	EZ-V®
Blade Part Number	27510	27512	28100	28200	28510	28520	29100	29200	29250	29350	28885	28895
Common Attachment Kit / Headgear Kit	28900	27777	28900	27777	28900	27777	28900	27777	29999		28888	
A-Frame Kit	n/a								28665		n/a	
Hydraulic Kit	9840-2								9835-1		9828-4	
Common Light									8435			
Choose a Hand-Held Control or a Joystick Control									9400		9800	
									8292		9900	

Model	Body Style	DRW	Box Option	Engine Type	Min F G A W R	Min R G A W R	Min G V W R	Peculiar Light Kit	MM2 system		Ballast Guidelines, lbs (1)														
									Peculiar Att.Kit	Notes	7176	2,10	550	550	600	600	650	650	650	650	---	---	550	600	
F350 SUPER DUTY 18" / 20" Tires	4x4	Crew Cab	No	6.8 Box	6.0L D	6000	6900	11400			7176	2,10	550	550	600	600	650	650	650	650	---	---	550	600	
F350 SUPER DUTY 18" / 20" Tires	4x4	Crew Cab	No	6.8 Box	6.0L D	6000	6900	10000			7176	2,10	550	550	600	600	650	650	650	650	---	---	550	600	
F350 SUPER DUTY 18" / 20" Tires	4x4	Crew Cab	No	6.8 Box	6.0L D	5600	6900	11400			7176	2,10	550	550	600	600	750	750	900	900	---	---	550	850	
F350 SUPER DUTY 18" / 20" Tires	4x4	Crew Cab	No	6.8 Box	6.0L D	5600	6900	10000			7176	2,10	550	550	600	600	750	750	900	900	---	---	550	850	
F350 SUPER DUTY 18" / 20" Tires	4x4	Crew Cab	No	6.8 Box	6.8L V10	5600	6900	11000			7176	2,10	350	350	400	400	450	450	450	450	---	---	400	450	
F350 SUPER DUTY 18" / 20" Tires	4x4	Crew Cab	No	6.8 Box	6.8L V10	5600	6900	10000			7176	2,10	350	350	400	400	450	450	450	450	---	---	400	450	
F350 SUPER DUTY 18" / 20" Tires	4x4	Crew Cab	No	6.8 Box	6.8L V10	5200	6900	11000			7176	2,10	350	350	400	400	450	450	550	550	---	---	400	500	
F350 SUPER DUTY 18" / 20" Tires	4x4	Crew Cab	No	6.8 Box	6.8L V10	5200	6900	10000			7176	2,10	350	350	400	400	450	450	550	550	---	---	400	500	
F350 SUPER DUTY 18" / 20" Tires	4x4	Crew Cab	No	8.0 Box	5.4L V8	6000	7000	11000			7176	2,10	350	350	400	400	450	450	450	450	---	---	350	400	
F350 SUPER DUTY 18" / 20" Tires	4x4	Crew Cab	No	8.0 Box	5.4L V8	6000	7000	10000			7176	2,10	350	350	400	400	450	450	450	450	---	---	350	400	
F350 SUPER DUTY 18" / 20" Tires	4x4	Crew Cab	No	8.0 Box	5.4L V8	5600	7000	11000			7176	2,10	350	350	400	400	450	450	450	450	---	---	350	400	
F350 SUPER DUTY 18" / 20" Tires	4x4	Crew Cab	No	8.0 Box	5.4L V8	5600	7000	11000			7176	2,10	350	350	400	400	450	450	450	450	---	---	350	400	
F350 SUPER DUTY 18" / 20" Tires	4x4	Crew Cab	No	8.0 Box	5.4L V8	5200	7000	11000			7176	2,10	350	350	400	400	450	450	500	500	---	---	350	450	
F350 SUPER DUTY 18" / 20" Tires	4x4	Crew Cab	No	8.0 Box	5.4L V8	5200	7000	10000			7176	2,10	350	350	400	400	450	450	500	500	---	---	350	450	
F350 SUPER DUTY 18" / 20" Tires	4x4	Crew Cab	No	8.0 Box	6.0L D	6000	6900	11500			7176	2,10	600	600	600	600	650	650	650	650	---	---	600	650	
F350 SUPER DUTY 18" / 20" Tires	4x4	Crew Cab	No	8.0 Box	6.0L D	6000	6900	10000			7176	2,10	600	600	600	600	650	650	650	650	---	---	600	650	
F350 SUPER DUTY 18" / 20" Tires	4x4	Crew Cab	No	8.0 Box	6.0L D	5600	6900	11500			7176	2,10	750	750	---	---	---	---	---	---	---	---	950	---	
F350 SUPER DUTY 18" / 20" Tires	4x4	Crew Cab	No	8.0 Box	6.0L D	5600	6900	10000			7176	2,10	750	750	---	---	---	---	---	---	---	---	950	---	
F350 SUPER DUTY 18" / 20" Tires	4x4	Crew Cab	No	8.0 Box	6.8L V10	5600	6900	11200			7176	2,10	400	400	450	450	500	500	500	500	---	---	400	450	
F350 SUPER DUTY 18" / 20" Tires	4x4	Crew Cab	No	8.0 Box	6.8L V10	5600	6900	10000			7176	2,10	400	400	450	450	500	500	500	500	---	---	400	450	
F350 SUPER DUTY 18" / 20" Tires	4x4	Crew Cab	No	8.0 Box	6.8L V10	5200	6900	11200			7176	2,10	400	400	400	700	700	850	850	1000	1000	---	---	600	950
F350 SUPER DUTY 18" / 20" Tires	4x4	Crew Cab	No	8.0 Box	6.8L V10	5200	6900	10000			7176	2,10	400	400	700	700	850	850	1000	1000	---	---	600	950	
F350 SUPER DUTY 18" / 20" Tires	4x2	Reg Cab	No	8.0 Box	6.0L D	4850	7000	10700			7176	2,10,44	900	900	---	---	---	---	---	---	---	---	---	---	
F350 SUPER DUTY 18" / 20" Tires	4x2	Reg Cab	No	8.0 Box	6.0L D	4850	6830	10700			7176	2,10,44	900	900	---	---	---	---	---	---	---	---	---	---	
F350 SUPER DUTY 18" / 20" Tires	4x2	Reg Cab	No	8.0 Box	6.8L V10	4400	7000	10300			7176	2,10,44	750	750	---	---	---	---	---	---	---	---	950	---	
F350 SUPER DUTY 18" / 20" Tires	4x2	Reg Cab	No	8.0 Box	6.8L V10	4400	6390	10300			7176	2,10,44	750	750	---	---	---	---	---	---	---	---	950	---	
F350 SUPER DUTY 18" / 20" Tires	4x2	Super Cab	No	6.8 Box	5.4L V8	4400	7000	10200			7176	2,10,44	700	700	1000	1000	---	---	---	---	---	---	900	---	
F350 SUPER DUTY 18" / 20" Tires	4x2	Super Cab	No	6.8 Box	5.4L V8	4400	6830	10200			7176	2,10,44	700	700	1000	1000	---	---	---	---	---	---	900	---	
F350 SUPER DUTY 18" / 20" Tires	4x2	Super Cab	No	8.0 Box	5.4L V8	4700	7000	10400			7176	2,10,44	250	250	300	300	300	300	450	450	---	---	250	400	
F350 SUPER DUTY 18" / 20" Tires	4x2	Super Cab	No	8.0 Box	5.4L V8	4700	6830	10400			7176	2,10,44	250	250	300	300	300	300	450	450	---	---	250	400	
F350 SUPER DUTY 18" / 20" Tires	4x2	Super Cab	No	8.0 Box	5.4L V8	4550	7000	10400			7176	2,10,44	500	500	800	800	950	950	---	---	---	---	700	1000	
F350 SUPER DUTY 18" / 20" Tires	4x2	Super Cab	No	8.0 Box	5.4L V8	4550	6830	10400			7176	2,10,44	500	500	800	800	950	950	---	---	---	---	700	1000	
F350 SUPER DUTY 18" / 20" Tires	4x2	Super Cab	No	8.0 Box	6.8L V10	4700	7000	10600			7176	2,10,44	300	300	550	550	700	700	800	800	---	---	450	750	
F350 SUPER DUTY 18" / 20" Tires	4x2	Super Cab	No	8.0 Box	6.8L V10	4700	6830	10600			7176	2,10,44	300	300	550	550	700	700	800	800	---	---	450	750	
F350 SUPER DUTY 18" / 20" Tires	4x2	Super Cab	No	8.0 Box	6.8L V10	4550	7000	10600			7176	2,10,44	850	850	---	---	---	---	---	---	---	---	---	---	
F350 SUPER DUTY 18" / 20" Tires	4x2	Super Cab	No	8.0 Box	6.8L V10	4550	6830	10600			7176	2,10,44	850	850	---	---	---	---	---	---	---	---	---	---	

Notes:
 1. Ballast amounts are based on a "Representative Vehicle," defined in the vehicle selection guide instructions, and must be modified for all other configurations for axle and GVWR compliance.
 2. Recommended snowplow prep package whenever available.

10. May require bumper or air dam notching.
 44. Minimum height required from ground to foremost point on frame bottom is 22.5".

2006 Ford

Section 2

XBLADE™, MC-Series & EZ-V® Snowplows



Blade Length	7-1/2'	7-1/2'	8'	8'	8-1/2'	8-1/2'	9'	9'	10'	8-1/2'	9-1/2'	
Blade Assembly	X SS	X MS	X SS	X MS	X SS	X MS	X SS	X MS	MC	MC	EZ-V®	EZ-V®
Blade Part Number	27510	27512	28100	28200	28510	28520	29100	29200	29250	29350	28885	28895
Common Attachment Kit / Headgear Kit	28900	27777	28900	27777	28900	27777	28900	27777	29999		28888	
A-Frame Kit	n/a								28665		n/a	
Hydraulic Kit	9840-2								9835-1		9828-4	
Common Light	8435											
Choose a Hand-Held Control or a Joystick Control	9400										9800	
	8292											9900

Model	Body Style	DRW	Box Option	Engine Type	Min F G A W R	Min R G A W R	Min G V W R	Peculiar Light Kit	MM2 system		Ballast Guidelines, lbs (1)												
									Peculiar Att.Kit	Notes	7176	2,10,44	500	500	800	800	950	950	---	---	---	---	700
F350 SUPER DUTY 18" / 20" Tires	4x2	Crew Cab	No	6.8 Box	5.4L V8	4550	7000	10400	H13 use 28400 or 2B use 8439	7176	2,10,44	500	500	800	800	950	950	---	---	---	---	700	---
F350 SUPER DUTY 18" / 20" Tires	4x2	Crew Cab	No	6.8 Box	5.4L V8	4550	6830	10400		7176	2,10,44	500	500	800	800	950	950	---	---	---	---	700	---
F350 SUPER DUTY 18" / 20" Tires	4x2	Crew Cab	No	6.8 Box	6.8L V10	4700	7000	10600		7176	2,10,44	300	300	600	600	750	750	900	900	---	---	500	850
F350 SUPER DUTY 18" / 20" Tires	4x2	Crew Cab	No	6.8 Box	6.8L V10	4700	6830	10600		7176	2,10,44	300	300	600	600	750	750	900	900	---	---	500	850
F350 SUPER DUTY 18" / 20" Tires	4x2	Crew Cab	No	6.8 Box	6.8L V10	4550	7000	10600		7176	2,10,44	900	900	---	---	---	---	---	---	---	---	---	---
F350 SUPER DUTY 18" / 20" Tires	4x2	Crew Cab	No	6.8 Box	6.8L V10	4550	6830	10600		7176	2,10,44	900	900	---	---	---	---	---	---	---	---	---	---
F350 SUPER DUTY 18" / 20" Tires	4x2	Crew Cab	No	8.0 Box	5.4L V8	4850	7000	10600		7176	2,10,44	200	200	250	250	300	300	300	300	---	---	250	300
F350 SUPER DUTY 18" / 20" Tires	4x2	Crew Cab	No	8.0 Box	5.4L V8	4850	6830	10600		7176	2,10,44	200	200	250	250	300	300	300	300	---	---	250	300
F350 SUPER DUTY 18" / 20" Tires	4x2	Crew Cab	No	8.0 Box	5.4L V8	4700	7000	10600		7176	2,10,44	300	300	600	600	750	750	900	900	---	---	500	900
F350 SUPER DUTY 18" / 20" Tires	4x2	Crew Cab	No	8.0 Box	5.4L V8	4700	6830	10600		7176	2,10,44	300	300	600	600	750	750	900	900	---	---	500	900
F350 SUPER DUTY 18" / 20" Tires	4x2	Crew Cab	No	8.0 Box	5.4L V8	4550	7000	10600		7176	2,10,44	1000	1000	---	---	---	---	---	---	---	---	---	---
F350 SUPER DUTY 18" / 20" Tires	4x2	Crew Cab	No	8.0 Box	5.4L V8	4550	6830	10600		7176	2,10,44	1000	1000	---	---	---	---	---	---	---	---	---	---
F350 SUPER DUTY 18" / 20" Tires	4x2	Crew Cab	No	8.0 Box	6.8L V10	4850	7000	10800		7176	2,10,44	300	300	400	400	550	550	700	700	---	---	300	650
F350 SUPER DUTY 18" / 20" Tires	4x2	Crew Cab	No	8.0 Box	6.8L V10	4850	6830	10800		7176	2,10,44	300	300	400	400	550	550	700	700	---	---	300	650
F350 SUPER DUTY 18" / 20" Tires	4x2	Crew Cab	No	8.0 Box	6.8L V10	4700	7000	10800		7176	2,10,44	750	750	---	---	---	---	---	---	---	---	1000	---
F350 SUPER DUTY 18" / 20" Tires	4x2	Crew Cab	No	8.0 Box	6.8L V10	4700	6830	10800		7176	2,10,44	750	750	---	---	---	---	---	---	---	---	1000	---
F450 SUPER DUTY	4x4	All	Yes	Chassis	All	All	All	15000		7176	2,10	---	---	---	?	?	?	?	?	?	---	?	?
F450 SUPER DUTY	4x2	All	Yes	Chassis	All	All	All	15000		7176	2,10	---	---	---	---	?	?	?	?	?	---	?	?
F550 SUPER DUTY	4x4	All	Yes	Chassis	All	All	All	15000		7176	2,10	---	---	---	---	?	?	?	?	?	---	?	?
F550 SUPER DUTY	4x2	All	Yes	Chassis	All	All	All	15000		7176	2,10,44	---	---	---	---	?	?	?	?	?	---	?	?
F650	4x2	All	Yes	Chassis	All	All	All	10001	2B use 8439 & 26640 or HB5 use 8436 & 26640	7172	39	---	---	---	---	---	---	?	?	---	---		

Notes:
 1. Ballast amounts are based on a "Representative Vehicle," defined in the vehicle selection guide instructions, and must be modified for all other configurations for axle and GVWR compliance.
 2. Recommended snowplow prep package whenever available.

10. May require bumper or air dam notching.
 39. 27,500 max GVWR.
 44. Minimum height required from ground to foremost point on frame bottom is 22.5".

2006 Dodge

Section 1

Homesteader™, LD-Series & M-Series Snowplows



Blade Length	6'-8"	7'-4"
Blade Assembly	Personal	Personal
Blade Part Number	27547	27549
Common Attachment Kit / Headgear Kit	27550	
Hydraulic Kit	27517	
Common Light	8435	
Choose a Hand-Held Control	9400	
or a Joystick Control	8292	



6'-9" LD	7'-1/2" LD	7'-1/2" RD M	8' HD M	8-1/2" HD M	9' HD M
28069	27775	27500	28000	28500	29000
27750-1			27777		
9825-1			9840-2		
8435					
9400					
8292					

Model	Body Style	DRW	Box Option	Engine Type	Min F G A W R	Min R G A W R	Min G V W R	Peculiar Light Kit	Personal Plow system		Ballast Guidelines, lbs (1)	MM2 system		Ballast Guidelines, lbs (1)										
									Peculiar Att.Kit	Notes		Peculiar Att.Kit	Notes											
DURANGO ST	4x4	SU-4DR	No	---	4.7L FFV	3600	3900	6700			33903	8	---	0	n/a	---	---	---	---	---	---	---	---	---
DURANGO ST	4x4	SU-4DR	No	---	4.7L V8	3600	3900	6700			33903	8	---	0	n/a	---	---	---	---	---	---	---	---	---
DURANGO SLT	4x4	SU-4DR	No	---	4.7L FFV	3600	3900	6700			33903	8	---	0	n/a	---	---	---	---	---	---	---	---	---
DURANGO SLT	4x4	SU-4DR	No	---	4.7L V8	3600	3900	6700			33903	8	---	0	n/a	---	---	---	---	---	---	---	---	---
DURANGO SLT	4x4	SU-4DR	No	---	5.8L V8	3600	3900	6750			33903	8	---	0	n/a	---	---	---	---	---	---	---	---	---
DURANGO LIMITED	4x4	SU-4DR	No	---	4.7L FFV	3600	3900	6700			33903	8	---	0	n/a	---	---	---	---	---	---	---	---	---
DURANGO LIMITED	4x4	SU-4DR	No	---	4.7L V8	3600	3900	6700			33903	8	---	0	n/a	---	---	---	---	---	---	---	---	---
DURANGO LIMITED	4x4	SU-4DR	No	---	5.8L V8	3600	3900	6750			33903	8	---	0	n/a	---	---	---	---	---	---	---	---	---
DAKOTA ST	4x4	Club Cab	No	6.5 Box	3.7L V6	3600	3600	6010			33903	8	---	50	7178	3	---	250	---	---	---	---	---	---
DAKOTA ST	4x4	Club Cab	No	6.5 Box	4.7L V8	3600	3600	6010			33903	8	---	100	7178	3	---	300	---	---	---	---	---	---
DAKOTA ST	4x4	Quad Cab	No	6.5 Box	3.7L V6	3600	3600	6010			33903	8	---	0	7178	3	---	150	---	---	---	---	---	---
DAKOTA ST	4x4	Quad Cab	No	6.5 Box	4.7L V8	3600	3600	6010			33903	8	---	0	7178	3	---	200	---	---	---	---	---	---
DAKOTA SLT	4x4	Club Cab	No	6.5 Box	3.7L V6	3600	3600	6010			33903	8	---	50	7178	3	---	250	---	---	---	---	---	---
DAKOTA SLT	4x4	Club Cab	No	6.5 Box	4.7L V8	3600	3600	6010			33903	8	---	100	7178	3	---	250	---	---	---	---	---	---
DAKOTA SLT	4x4	Club Cab	No	6.5 Box	4.7L V8 HO	3600	3600	6010			33903	8	---	100	7178	3	---	250	---	---	---	---	---	---
DAKOTA SLT	4x4	Quad Cab	No	6.5 Box	3.7L V6	3600	3600	6010			33903	8	---	0	7178	3	---	200	---	---	---	---	---	---
DAKOTA SLT	4x4	Quad Cab	No	6.5 Box	4.7L V8	3600	3600	6010			33903	8	---	0	7178	3	---	200	---	---	---	---	---	---
DAKOTA SLT	4x4	Quad Cab	No	6.5 Box	4.7L V8 HO	3600	3600	6010			33903	8	---	0	7178	3	---	200	---	---	---	---	---	---
DAKOTA LARAMIE	4x4	Club Cab	No	6.5 Box	3.7L V6	3600	3600	6010			33903	8	---	50	7178	3	---	250	---	---	---	---	---	---
DAKOTA LARAMIE	4x4	Club Cab	No	6.5 Box	4.7L V8	3600	3600	6010			33903	8	---	50	7178	3	---	250	---	---	---	---	---	---
DAKOTA LARAMIE	4x4	Club Cab	No	6.5 Box	4.7L V8 HO	3600	3600	6010			33903	8	---	50	7178	3	---	250	---	---	---	---	---	---
DAKOTA LARAMIE	4x4	Quad Cab	No	6.5 Box	3.7L V6	3600	3600	6010			33903	8	---	0	7178	3	---	200	---	---	---	---	---	---
DAKOTA LARAMIE	4x4	Quad Cab	No	6.5 Box	4.7L V8	3600	3600	6010			33903	8	---	0	7178	3	---	300	---	---	---	---	---	---
DAKOTA LARAMIE	4x4	Quad Cab	No	6.5 Box	4.7L V8 HO	3600	3600	6010			33903	8	---	0	7178	3	---	300	---	---	---	---	---	---
RAM 1500 ST	4x4	Reg Cab	No	6.5 Box	4.7L FFV	3900	3900	6350			n/a	---	---	---	7180	3	---	200	---	---	---	---	---	---
RAM 1500 ST	4x4	Reg Cab	No	6.5 Box	4.7L V8	3900	3900	6350			n/a	---	---	---	7180	3	---	200	---	---	---	---	---	---
RAM 1500 ST	4x4	Reg Cab	No	6.5 Box	5.7L V8	3900	3900	6350			n/a	---	---	---	7180	3	---	200	---	---	---	---	---	---
RAM 1500 ST	4x4	Reg Cab	No	8.0 Box	4.7L FFV	3900	3900	6600			n/a	---	---	---	7180	3	---	300	---	---	---	---	---	---
RAM 1500 ST	4x4	Reg Cab	No	8.0 Box	4.7L V8	3900	3900	6600			n/a	---	---	---	7180	3	---	300	---	---	---	---	---	---
RAM 1500 ST	4x4	Quad Cab	No	6.5 Box	4.7L V8	3900	3900	6700			n/a	---	---	---	7180	3	---	500	---	---	---	---	---	---

- Notes:**
- Ballast amounts are based on a "Representative Vehicle," defined in the vehicle selection guide instructions, and must be modified for all other configurations for axle and GVWR compliance.
 - Requires bumper notching.
 - These Snowplows Are For Personal/Homeowner Use Only.

2006 Dodge

Section 1

Homesteader™, LD-Series & M-Series Snowplows



Blade Length	6'-8"	7'-4"
Blade Assembly	Personal	Personal
Blade Part Number	27547	27549
Common Attachment Kit / Headgear Kit	27550	
Hydraulic Kit	27517	
Common Light	8435	
Choose a Hand-Held Control or a Joystick Control	9400	
	8292	



6'-9" LD	7'-1/2" LD	7'-1/2" RD M	8' HD M	8-1/2" HD M	9' HD M
28069	27775	27500	28000	28500	29000
27750-1			27777		
9825-1			9840-2		
8435					
9400					
8292					

Model	Body Style	DRW	Box Option	Engine Type	Min F G A W R	Min R G A W R	Min G V W R	Peculiar Light Kit	Personal Plow system		Ballast Guidelines, lbs (1)	MM2 system		Ballast Guidelines, lbs (1)							
									Peculiar Att.Kit	Notes		Peculiar Att.Kit	Notes								
RAM 1500 SLT	4x4	Reg Cab	No	6.5 Box	4.7L FFV	3900	3900	6350		n/a	---	---	---	7180	3	---	150	---	---	---	---
RAM 1500 SLT	4x4	Reg Cab	No	6.5 Box	4.7L V8	3900	3900	6350		n/a	---	---	---	7180	3	---	200	---	---	---	---
RAM 1500 SLT	4x4	Reg Cab	No	6.5 Box	5.7L V8	3900	3900	6350		n/a	---	---	---	7180	3	---	200	---	---	---	---
RAM 1500 SLT	4x4	Reg Cab	No	8.0 Box	4.7L FFV	3900	3900	6600		n/a	---	---	---	7180	3	---	250	---	---	---	---
RAM 1500 SLT	4x4	Reg Cab	No	8.0 Box	4.7L V8	3900	3900	6600		n/a	---	---	---	7180	3	---	200	---	---	---	---
RAM 1500 SLT	4x4	Reg Cab	No	8.0 Box	5.7L V8	3900	3900	6600		n/a	---	---	---	7180	3	---	350	---	---	---	---
RAM 1500 SLT	4x4	Quad Cab	No	6.5 Box	4.7L FFV	3900	3900	6700		n/a	---	---	---	7180	3	---	400	---	---	---	---
RAM 1500 SLT	4x4	Quad Cab	No	6.5 Box	4.7L V8	3900	3900	6700		n/a	---	---	---	7180	3	---	350	---	---	---	---
RAM 1500 SLT	4x4	Mega Cab	No	6.5 Box	5.7L V8	5200	6010	8510		n/a	---	---	---	7170-2	3	---	50	150	250	250	---
RAM 1500 SLT+20" tires	4x4	Reg Cab	No	6.5 Box	4.7L FFV	3900	3900	6350		n/a	---	---	---	7180	3	---	150	---	---	---	---
RAM 1500 SLT+20" tires	4x4	Reg Cab	No	6.5 Box	4.7L V8	3900	3900	6350		n/a	---	---	---	7180	3	---	150	---	---	---	---
RAM 1500 SLT+20" tires	4x4	Reg Cab	No	6.5 Box	5.7L V8	3900	3900	6350		n/a	---	---	---	7180	3	---	200	---	---	---	---
RAM 1500 SLT+LT275/70R17 tires	4x4	Reg Cab	No	6.5 Box	4.7L FFV	3900	3900	6350		n/a	---	---	---	7180	3	---	150	---	---	---	---
RAM 1500 SLT+LT275/70R17 tires	4x4	Reg Cab	No	6.5 Box	4.7L V8	3900	3900	6350		n/a	---	---	---	7180	3	---	200	---	---	---	---
RAM 1500 SLT+LT275/70R17 tires	4x4	Reg Cab	No	6.5 Box	5.7L V8	3900	3900	6350		n/a	---	---	---	7180	3	---	200	---	---	---	---
RAM 1500 SLT+LT275/70R17 tires	4x4	Reg Cab	No	8.0 Box	4.7L FFV	3900	3900	6600		n/a	---	---	---	7180	3	---	400	---	---	---	---
RAM 1500 SLT+LT275/70R17 tires	4x4	Reg Cab	No	8.0 Box	4.7L V8	3900	3900	6600		n/a	---	---	---	7180	3	---	350	---	---	---	---
RAM 1500 LARAMIE	4x4	Mega Cab	No	6.5 Box	5.7L V8	5200	6010	8510		n/a	---	---	---	7170-2	3	---	50	150	250	300	---
RAM 2500	4x4	All	No	Chassis	All	All	All	8501	H13 use 28400	n/a	---	---	---	7170-2	2	---	---	?	?	?	?
RAM 2500 ST	4x4	Reg Cab	No	8.0 Box	5.7L V8	5200	6000	8650		n/a	---	---	---	7170-2	2	---	---	250	350	400	400
RAM 2500 ST	4x4	Reg Cab	No	8.0 Box	5.9L D HO	5200	6000	9000		n/a	---	---	---	7170-2	2	---	---	550	800	900	950
RAM 2500 ST	4x4	Quad Cab	No	6.5 Box	5.7L V8	5200	6000	8800		n/a	---	---	---	7170-2	2	---	---	150	250	300	300
RAM 2500 ST	4x4	Quad Cab	No	8.0 Box	5.7L V8	5200	6000	8800		n/a	---	---	---	7170-2	2	---	---	200	300	350	350
RAM 2500 ST	4x4	Quad Cab	No	8.0 Box	5.9L D HO	5200	6000	9000		n/a	---	---	---	7170-2	2	---	---	900	---	---	---
RAM 2500 SLT	4x4	Reg Cab	No	8.0 Box	5.7L V8	5200	6010	8650		n/a	---	---	---	7170-2	2	---	---	250	350	400	400
RAM 2500 SLT	4x4	Reg Cab	No	8.0 Box	5.9L D HO	5200	6010	9000		n/a	---	---	---	7170-2	2	---	---	600	---	---	---
RAM 2500 SLT	4x4	Quad Cab	No	6.5 Box	5.7L V8	5200	6010	8800		n/a	---	---	---	7170-2	2	---	---	150	250	300	300
RAM 2500 SLT	4x4	Quad Cab	No	6.5 Box	5.9L D HO	5200	6010	9000		n/a	---	---	---	7170-2	2	---	---	550	---	---	---
RAM 2500 SLT	4x4	Quad Cab	No	8.0 Box	5.7L V8	5200	6010	8800		n/a	---	---	---	7170-2	2	---	---	200	300	300	350
RAM 2500 SLT	4x4	Mega Cab	No	6.5 Box	5.7L V8	5200	6010	8800		n/a	---	---	---	7170-2	2	---	---	200	300	300	300
RAM 2500 LARAMIE	4x4	Reg Cab	No	8.0 Box	5.7L V8	5200	6010	8650		n/a	---	---	---	7170-2	2	---	---	250	350	400	400
RAM 2500 LARAMIE	4x4	Reg Cab	No	8.0 Box	5.9L D HO	5200	6010	9000		n/a	---	---	---	7170-2	2	---	---	550	---	---	---
RAM 2500 LARAMIE	4x4	Quad Cab	No	6.5 Box	5.7L V8	5200	6010	8800		n/a	---	---	---	7170-2	2	---	---	150	250	300	300
RAM 2500 LARAMIE	4x4	Quad Cab	No	6.5 Box	5.9L D HO	5200	6010	9000		n/a	---	---	---	7170-2	2	---	---	700	---	---	---
RAM 2500 LARAMIE	4x4	Quad Cab	No	8.0 Box	5.7L V8	5200	6010	8800		n/a	---	---	---	7170-2	2	---	---	200	300	350	350
RAM 2500 LARAMIE	4x4	Mega Cab	No	6.5 Box	5.7L V8	5200	6010	8800		n/a	---	---	---	7170-2	2	---	---	200	300	300	300

- Notes:**
- Ballast amounts are based on a "Representative Vehicle," defined in the vehicle selection guide instructions, and must be modified for all other configurations for axle and GVWR compliance.
 - Recommended snowplow prep package whenever available.
 - Requires bumper notching.

2006 Dodge

Section 1

Homesteader™, LD-Series & M-Series Snowplows



Blade Length	6'-8"	7'-4"
Blade Assembly	Personal	Personal
Blade Part Number	27547	27549
Common Attachment Kit / Headgear Kit	27550	
Hydraulic Kit	27517	
Common Light	8435	
Choose a Hand-Held Control	9400	
or a Joystick Control	8292	



6'-9" LD	7'-1/2" LD	7'-1/2" RD M	8' HD M	8'-1/2" HD M	9' HD M
28069	27775	27500	28000	28500	29000
27750-1		27777			
9825-1		9840-2			
8435					
9400					
8292					

Model	Body Style	DRW	Box Option	Engine Type	Min F G A W R	Min R G A W R	Min G V W R	8501	Peculiar Light Kit	Personal Plow system		Ballast Guidelines, lbs (1)	MM2 system		Ballast Guidelines, lbs (1)						
										Peculiar Att.Kit	Notes		Peculiar Att.Kit	Notes							
RAM 3500	4x4	All	No	Chassis	All	All	All	8501		n/a	---	---	---	7170-2	2	---	---	---	?	?	?
RAM 3500 LARAMIE	4x4	Reg Cab	Yes	8.0 Box	5.7L V8	5200	9350	11500		n/a	---	---	---	7170-2	2	---	---	---	---	100	100
RAM 3500 LARAMIE	4x4	Reg Cab	Yes	8.0 Box	5.9L D HO	5200	9350	12200		n/a	---	---	---	7170-2	2	---	---	---	---	750	800
RAM 3500 ST	4x4	Reg Cab	Yes	8.0 Box	5.7L V8	5200	9350	11500		n/a	---	---	---	7170-2	2	---	---	---	---	100	100
RAM 3500 ST	4x4	Reg Cab	Yes	8.0 Box	5.9L D HO	5200	9350	12200		n/a	---	---	---	7170-2	2	---	---	---	---	500	600
RAM 3500 ST	4x4	Quad Cab	No	6.5 Box	5.9L D HO	5200	6200	9900	H13 use 28400	n/a	---	---	---	7170-2	2	---	---	---	950	---	---
RAM 3500 ST	4x4	Quad Cab	Yes	8.0 Box	5.7L V8	5200	9350	11500		n/a	---	---	---	7170-2	2	---	---	---	---	0	50
RAM 3500 SLT	4x4	Reg Cab	Yes	8.0 Box	5.7L V8	5200	9350	11500		n/a	---	---	---	7170-2	2	---	---	---	---	100	100
RAM 3500 SLT	4x4	Reg Cab	Yes	8.0 Box	5.9L D HO	5200	9350	12200		n/a	---	---	---	7170-2	2	---	---	---	---	600	700
RAM 3500 SLT	4x4	Quad Cab	Yes	8.0 Box	5.7L V8	5200	9350	11500		n/a	---	---	---	7170-2	2	---	---	---	---	0	50

- Notes:
- Ballast amounts are based on a "Representative Vehicle," defined in the vehicle selection guide instructions, and must be modified for all other configurations for axle and GVWR compliance.
 - Recommended snowplow prep package whenever available.

2006 Dodge

Section 2

XBLADE™, MC-Series & EZ-V® Snowplows



Blade Length	7-1/2'	7-1/2'	8'	8'	8-1/2'	8-1/2'	9'	9'	10'	8-1/2'	9-1/2'	
Blade Assembly	X SS	X MS	X SS	X MS	X SS	X MS	X SS	X MS	MC	MC	EZ-V®	EZ-V®
Blade Part Number	27510	27512	28100	28200	28510	28520	29100	29200	29250	29350	28885	28895
Common Attachment Kit / Headgear Kit	28900	27777	28900	27777	28900	27777	28900	27777	29999		28888	
A-Frame Kit	n/a								28665		n/a	
Hydraulic Kit	9840-2								9835-1		9828-4	
Common Light	8435											
Choose a Hand-Held Control or a Joystick Control	9400								9800			
	8292								9900			

Model	Body Style	DRW	Box Option	Engine Type	Min F G A W R	Min R G A W R	Min G V W R	Peculiar Light Kit	MM2 system		Ballast Guidelines, lbs (1)															
									Peculiar Att.Kit	Notes	7170-2	?	?	?	?	?	?	?	?	?	?	?	?	?	?	
RAM 2500	4x4	All	No	Chassis	All	All	8501		7170-2	2	?	?	?	?	?	?	?	?	?	?	?	?	?	?	?	?
RAM 2500 ST	4x4	Reg Cab	No	8.0 Box	5.7L V8	5200	6000	8650		7170-2	2	400	400	450	450	450	450	500	500	---	---	400	450			
RAM 2500 ST	4x4	Reg Cab	No	8.0 Box	5.9L D HO	5200	6000	9000		7170-2	2	900	900	---	---	---	---	---	---	---	---	---	---	---	---	---
RAM 2500 ST	4x4	Quad Cab	No	6.5 Box	5.7L V8	5200	6000	8800		7170-2	2	300	300	350	350	350	350	400	400	---	---	300	350			
RAM 2500 ST	4x4	Quad Cab	No	8.0 Box	5.7L V8	5200	6000	8800		7170-2	2	350	350	400	400	400	400	400	400	---	---	350	400			
RAM 2500 SLT	4x4	Reg Cab	No	8.0 Box	5.7L V8	5200	6010	8650		7170-2	2	400	400	450	450	450	450	500	500	---	---	400	450			
RAM 2500 SLT	4x4	Quad Cab	No	6.5 Box	5.7L V8	5200	6010	8800		7170-2	2	250	250	350	350	350	350	400	400	---	---	300	350			
RAM 2500 SLT	4x4	Quad Cab	No	8.0 Box	5.7L V8	5200	6010	8800		7170-2	2	300	300	350	350	350	400	400	400	---	---	350	400			
RAM 2500 SLT	4x4	Mega Cab	No	6.5 Box	5.7L V8	5200	6010	8800		7170-2	2	300	300	350	350	350	350	400	400	---	---	300	350			
RAM 2500 LARAMIE	4x4	Reg Cab	No	8.0 Box	5.7L V8	5200	6010	8650		7170-2	2	400	400	450	450	450	450	500	500	---	---	400	450			
RAM 2500 LARAMIE	4x4	Quad Cab	No	6.5 Box	5.7L V8	5200	6010	8800		7170-2	2	300	300	350	350	350	350	400	400	---	---	300	350			
RAM 2500 LARAMIE	4x4	Quad Cab	No	8.0 Box	5.7L V8	5200	6010	8800		7170-2	2	350	350	400	400	400	400	400	400	---	---	350	400			
RAM 2500 LARAMIE	4x4	Mega Cab	No	6.5 Box	5.7L V8	5200	6010	8800		7170-2	2	300	300	350	350	400	400	400	400	---	---	300	350			
RAM 3500	4x4	All	No	Chassis	All	All	All	8501		7170-2	2	?	?	?	?	?	?	?	?	?	?	?	?	?	?	?
RAM 3500 LARAMIE	4x4	Reg Cab	Yes	8.0 Box	5.7L V8	5200	9350	11500		7170-2	2	---	---	---	---	150	150	200	200	---	---	100	150			
RAM 3500 LARAMIE	4x4	Reg Cab	Yes	8.0 Box	5.9L D HO	5200	9350	12200		7170-2	2	---	---	---	---	---	---	---	---	---	---	950	---			
RAM 3500 ST	4x4	Reg Cab	Yes	8.0 Box	5.7L V8	5200	9350	11500		7170-2	2	---	---	---	---	150	150	200	200	---	---	100	150			
RAM 3500 ST	4x4	Reg Cab	Yes	8.0 Box	5.9L D HO	5200	9350	12200		7170-2	2	---	---	---	---	1000	1000	---	---	---	---	700	---			
RAM 3500 ST	4x4	Quad Cab	Yes	8.0 Box	5.7L V8	5200	9350	11500		7170-2	2	---	---	---	---	100	100	100	100	---	---	0	50			
RAM 3500 SLT	4x4	Reg Cab	Yes	8.0 Box	5.7L V8	5200	9350	11500		7170-2	2	---	---	---	---	150	150	200	200	---	---	100	150			
RAM 3500 SLT	4x4	Reg Cab	Yes	8.0 Box	5.9L D HO	5200	9350	12200		7170-2	2	---	---	---	---	---	---	---	---	---	---	800	---			
RAM 3500 SLT	4x4	Quad Cab	Yes	8.0 Box	5.7L V8	5200	9350	11500		7170-2	2	---	---	---	---	100	100	100	100	---	---	0	50			

Notes:
 1. Ballast amounts are based on a "Representative Vehicle," defined in the vehicle selection guide instructions, and must be modified for all other configurations for axle and GVWR compliance.
 2. Recommended snowplow prep package whenever available.

2006 Jeep

Section 1

Homesteader™, LD-Series & M-Series Snowplows



Blade Length	6'-8"	7'-4"
Blade Assembly	Personal	Personal
Blade Part Number	27547	27549
Common Attachment Kit / Headgear Kit	27550	
Hydraulic Kit	27517	
Common Light	8435	
Choose a Hand-Held Control	9400	
or a Joystick Control	8292	



6'-9" LD	7'-1/2" LD	7'-1/2" RD M	8' HD M	8'-1/2" HD M	9' HD M
28069	27775	27500	28000	28500	29000
27750-1		27777			
9825-1		9840-2			
8435					
9400					
8292					

Model	Body Style	DRW	Box Option	Engine Type	Min F G A W R	Min R G A W R	Min G V W R	Peculiar Light Kit	Personal Plow system		Ballast Guidelines, lbs (1)	MM2 system		Ballast Guidelines, lbs (1)									
									Peculiar Att.Kit	Notes		Peculiar Att.Kit	Notes										
LIBERTY LIMITED	4x4	SU-4DR	No	---	3.7L V6	2750	3150	5600	HB5 use 8436	3713-1	8	0	0	n/a	---	---	---	---	---	---	---	---	
LIBERTY SPORT	4x4	SU-4DR	No	---	3.7L V6	2750	3150	5200		3713-1	8	0	0	n/a	---	---	---	---	---	---	---	---	---
LIBERTY RENEGADE	4x4	SU-4DR	No	---	3.7L V6	2750	3150	5600		3713-1	8	0	0	n/a	---	---	---	---	---	---	---	---	---
WRANGLER SE	4x4	SU-2DR	No	---	2.4L I4	2200	2650	4450	2D use 8439	3723	8	0	0	n/a	---	---	---	---	---	---	---	---	---

- Notes:
1. Ballast amounts are based on a "Representative Vehicle," defined in the vehicle selection guide instructions, and must be modified for all other configurations for axle and GVWR compliance.
 8. These Snowplows Are For Personal/Homeowner Use Only.

2006 Nissan

Section 1

Homesteader™, LD-Series & M-Series Snowplows



Blade Length	6'-8"	7'-4"
Blade Assembly	Personal	Personal
Blade Part Number	27547	27549
Common Attachment Kit / Headgear Kit	27550	
Hydraulic Kit	27517	
Common Light	8435	
Choose a Hand-Held Control or a Joystick Control	9400	
	8292	



6'-9" LD	7'-1/2" LD	7'-1/2" RD M	8' HD M	8'-1/2" HD M	9' HD M
28069	27775	27500	28000	28500	29000
27750-1		27777			
9825-1		9840-2			
8435					
9400					
8292					

Model	Body Style	DRW	Box Option	Engine Type	Min F G A W R	Min R G A W R	Min G V W R	Peculiar Light Kit	Personal Plow system		Ballast Guidelines, lbs (1)	MM2 system		Ballast Guidelines, lbs (1)														
									Peculiar Att.Kit	Notes		Peculiar Att.Kit	Notes															
TITAN XE	4x4	King Cab	No	6.5 Box	5.6L V8	3577	3800	6522		31303	8,40	---	0	n/a	---	---	---	---	---	---	---	---	---	---	---	---		
TITAN XE	4x4	Crew Cab	No	6.5 Box	5.6L V8	3577	3800	6522		31303	8,40	---	0	n/a	---	---	---	---	---	---	---	---	---	---	---	---	---	
TITAN SE	4x4	King Cab	No	6.5 Box	5.6L V8	3577	3800	6522	HB3/HB4 use 27480-1 & 28027	31303	8,40	---	0	n/a	---	---	---	---	---	---	---	---	---	---	---	---		
TITAN SE	4x4	Crew Cab	No	6.5 Box	5.6L V8	3577	3800	6522		31303	8,40	---	0	n/a	---	---	---	---	---	---	---	---	---	---	---	---	---	---
TITAN LE	4x4	King Cab	No	6.5 Box	5.6L V8	3577	3800	6522		31303	8,40	---	0	n/a	---	---	---	---	---	---	---	---	---	---	---	---	---	---
TITAN LE	4x4	Crew Cab	No	6.5 Box	5.6L V8	3577	3800	6522		31303	8,40	---	100	n/a	---	---	---	---	---	---	---	---	---	---	---	---	---	---

- Notes:**
- Ballast amounts are based on a "Representative Vehicle," defined in the vehicle selection guide instructions, and must be modified for all other configurations for axle and GVWR compliance.
 - These Snowplows Are For Personal/Homeowner Use Only.
 - Removal of skid plate or splash guard required.

2006 Toyota

Section 1

Homesteader™, LD-Series & M-Series Snowplows



Blade Length	6'-8"	7'-4"
Blade Assembly	Personal	Personal
Blade Part Number	27547	27549
Common Attachment Kit / Headgear Kit	27550	
Hydraulic Kit	27517	
Common Light	8435	
Choose a Hand-Held Control	9400	
or a Joystick Control	8292	



6'-9" LD	7'-1/2" LD	7'-1/2" RD M	8' HD M	8'-1/2" HD M	9' HD M
28069	27775	27500	28000	28500	29000
27750-1		27777			
9825-1		9840-2			
8435					
9400					
8292					

Model	Body Style	DRW	Box Option	Engine Type	Min F G A W R	Min R G A W R	Min G V W R	Peculiar Light Kit	Personal Plow system		Ballast Guidelines, lbs (1)	MM2 system		Ballast Guidelines, lbs (1)									
									Peculiar Att. Kit	Notes		Peculiar Att. Kit	Notes										
TACOMA	4x4	Reg Cab	No	6.1 Box	2.7L I4	2755	3110	5100	HB2 use 8439	32323	8	0	0	n/a	---	---	---	---	---	---	---	---	
TACOMA	4x4	Access Cab	No	6.1 Box	2.7L I4	2755	3110	5350		32323	8	0	50	n/a	---	---	---	---	---	---	---	---	---
TACOMA	4x4	Access Cab	No	6.1 Box	4.0L V6	2755	3110	5350		32323	8	150	250	n/a	---	---	---	---	---	---	---	---	---
TACOMA	4x4	Double Cab	No	5.0 Box	4.0L V6	2755	3110	5450		32323	8	350	500	n/a	---	---	---	---	---	---	---	---	---
TACOMA	4x4	Double Cab	No	6.1 Box	4.0L V6	2755	3110	5450		32323	8	600	700	n/a	---	---	---	---	---	---	---	---	---
TUNDRA	4x4	Reg Cab	No	8.0 Box	4.7L V8	3160	3760	6300		2303	8	---	0	n/a	---	---	---	---	---	---	---	---	---
TUNDRA SR5	4x4	Ext Cab	No	6.1 Box	4.7L V8	3160	3760	6300		2303	8	---	300	n/a	---	---	---	---	---	---	---	---	---
TUNDRA SR5	4x4	Double Cab	No	6.1 Box	4.7L V8	3500	3760	6600		2303	8	---	0	n/a	---	---	---	---	---	---	---	---	---
TUNDRA LIMITED	4x4	Ext Cab	No	6.1 Box	4.7L V8	3160	3760	6300		2303	8	---	200	n/a	---	---	---	---	---	---	---	---	---
TUNDRA LIMITED	4x4	Double Cab	No	6.1 Box	4.7L V8	3500	3760	6600		2303	8	---	0	n/a	---	---	---	---	---	---	---	---	---

- Notes:
- Ballast amounts are based on a "Representative Vehicle," defined in the vehicle selection guide instructions, and must be modified for all other configurations for axle and GVWR compliance.
 - These Snowplows Are For Personal/Homeowner Use Only.

2006 Mitsubishi

Section 1

Homesteader™, LD-Series & M-Series Snowplows



Blade Length	6'-8"	7'-4"
Blade Assembly	Personal	Personal
Blade Part Number	27547	27549
Common Attachment Kit / Headgear Kit	27550	
Hydraulic Kit	27517	
Common Light	8435	
Choose a Hand-Held Control	9400	
or a Joystick Control	8292	



6'-9" LD	7'-1/2" LD	7'-1/2" RD M	8' HD M	8'-1/2" HD M	9' HD M
28069	27775	27500	28000	28500	29000
27750-1		27777			
9825-1		9840-2			
8435					
9400					
8292					

Model	Body Style	DRW	Box Option	Engine Type	Min F G A W R	Min R G A W R	Min G V W R	Peculiar Light Kit	Personal Plow system		Ballast Guidelines, lbs (1)	MM2 system		Ballast Guidelines, lbs (1)						
									Peculiar Att.Kit	Notes		Peculiar Att.Kit	Notes							
FG	4x4	All	Yes	Chassis	All	All	10001	HB5 use 8436 & 28860	n/a	---	---	---	7179	---	---	---	---	---	?	?

Notes:
 1. Ballast amounts are based on a "Representative Vehicle," defined in the vehicle selection guide instructions, and must be modified for all other configurations for axle and GVWR compliance.

2006 Mitsubishi

Section 2

XBLADE™, MC-Series & EZ-V® Snowplows



Blade Length	7-1/2'	7-1/2'	8'	8'	8-1/2'	8-1/2'	9'	9'	9'	10'	8-1/2'	9-1/2'	
Blade Assembly	X SS	X MS	X SS	X MS	X SS	X MS	X SS	X MS	MC	MC	EZ-V®	EZ-V®	
Blade Part Number	27510	27512	28100	28200	28510	28520	29100	29200	29250	29350	28885	28895	
Common Attachment Kit / Headgear Kit	28900	27777	28900	27777	28900	27777	28900	27777	29999	28888			
A-Frame Kit	n/a								28665	n/a			
Hydraulic Kit	9840-2								9835-1	9828-4			
Common Light	8435												
Choose a Hand-Held Control or a Joystick Control	9400								9800				
	8292								9900				

Model	Body Style	DRW	Box Option	Engine Type	Min FGAWR	Min RGAWR	Min GVWR	Peculiar Light Kit	MM2 system		Ballast Guidelines, lbs (1)											
									Peculiar Att.Kit	Notes												
FG	4x4	All	Yes	Chassis	All	All	10001	HB5 use 8436 & 28860	7179	---	---	---	---	---	?	?	?	?	---	---	?	---

Notes:
1. Ballast amounts are based on a "Representative Vehicle," defined in the vehicle selection guide instructions, and must be modified for all other configurations for axle and GVWR compliance.

2006 International

Section 2

XBLADE™, MC-Series & EZ-V® Snowplows



Blade Length	7-1/2'	7-1/2'	8'	8'	8-1/2'	8-1/2'	9'	9'	10'	8-1/2'	9-1/2'		
Blade Assembly	X SS	X MS	X SS	X MS	X SS	X MS	X SS	X MS	MC	MC	EZ-V®	EZ-V®	
Blade Part Number	27510	27512	28100	28200	28510	28520	29100	29200	29250	29350	28885	28895	
Common Attachment Kit / Headgear Kit	28900	27777	28900	27777	28900	27777	28900	27777	29999	28888			
A-Frame Kit	n/a								28665	n/a			
Hydraulic Kit	9840-2								9835-1	9828-4			
Common Light	8435												
Choose a Hand-Held Control or a Joystick Control	9400								9800				
	8292								9900				

Model	Body Style	DRW	Box Option	Engine Type	Min FAWR	Min RAWR	Min GVWR	Peculiar Light Kit	MM2 system		Ballast Guidelines, lbs (1)											
									Peculiar Att.Kit	Notes												
4000 SERIES	4x2	All	Yes	Chassis	All	All	10001	2B use 8439 & 26640 or HB5 use 8436 & 26640	7172	39	---	---	---	---	---	---	---	---	?	?	---	---

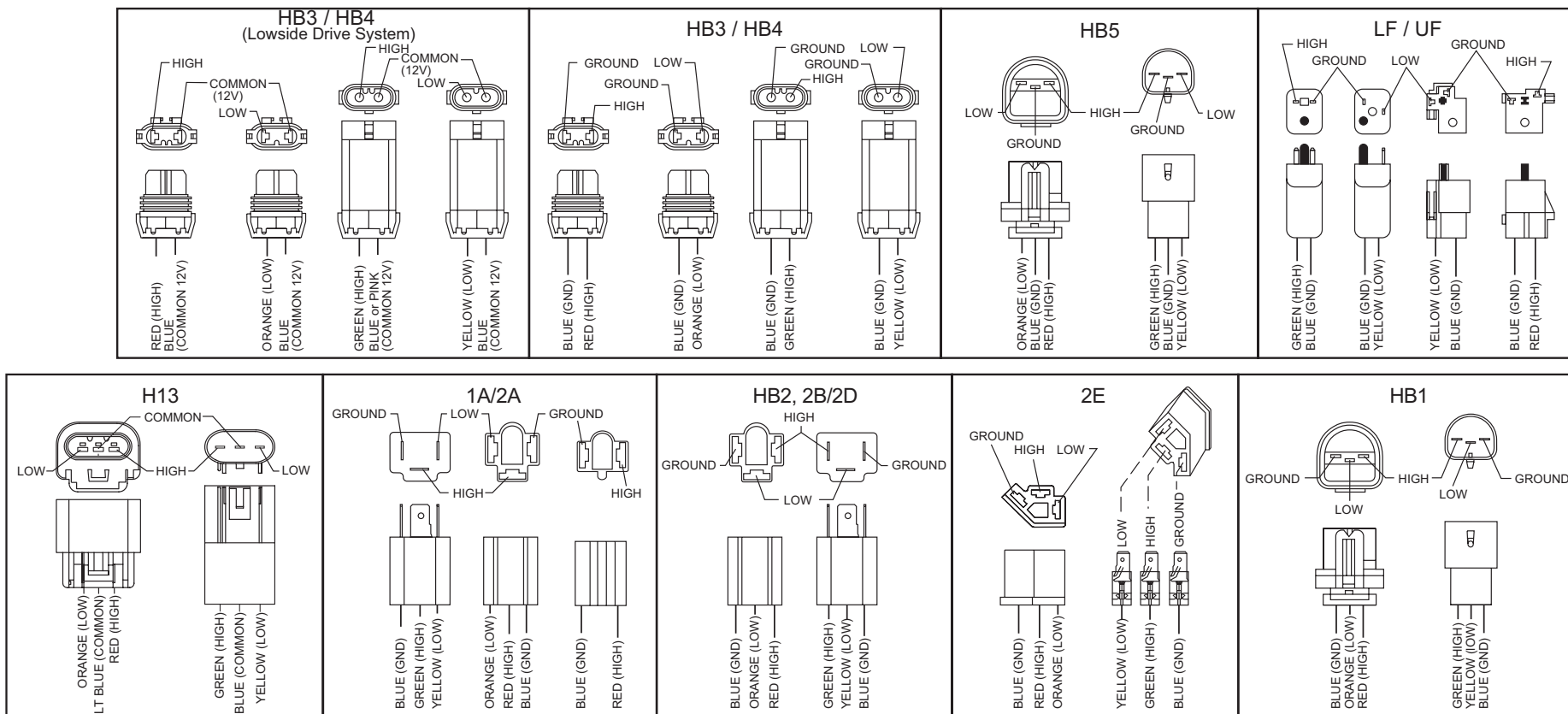
Notes:
 1. Ballast amounts are based on a "Representative Vehicle," defined in the vehicle selection guide instructions, and must be modified for all other configurations for axle and GVWR compliance.
 39. 27,500 max GVWR.

Headlamp Reference Guide

NOTE: The lamp type is usually embossed in the headlamp lens.

NOTE: Blue ground wires may be LT or DK BLU, w/ or w/o WHT stripe, depending on harness.

Headlamp Type	Bulb Type	Headlamp Type	Bulb Type
LF	H4703	2E1	H6545
UF	H4701	H13	9008
1A1	H4651	HB1	9004
2A1	H4652(GMC/Chevy)	HB2	9003
2A1	H4656 (Mitsubishi)	HB3	9005
2B1	H6054	HB4	9006
2D1	H6024	HB5	9007



Snowplow Component Weights

Off-Truck Assembly with Blade							
Size	Blade Assembly	Weight (lbs.)	Z	Size	Blade Assembly	Weight (lbs.)	Z
6'-8"	Personal Plow	239	20.4	7-1/2'	XBLADE™ Plow	742	24.5
7'-4"	Personal Plow	257	20.8	8'	XBLADE Plow	790	26.0
6'-9"	LD	472	18.7	8-1/2'	XBLADE Plow	813	26.5
7-1/2'	LD	487	19.7	9'	XBLADE Plow	835	27.0
7-1/2'	RD M	630	20.6	8-1/2'	EZ-V® Plow	808	16.0
8'	HD M	717	26.4	9-1/2'	EZ-V Plow	870	16.0
8-1/2'	HD M	731	26.5	9'	MC	1350	26.0
9'	HD M	745	26.6	10'	MC	1428	26.5

On-Truck Attachment											
Kit #	Weight (lb)	X	Y	Kit #	Weight (lb)	X	Y	Kit #	Weight (lb)	X	Y
Homesteader™ Kits											
1203	34.0	27.0	6.0	1523	26.0	30.0	6.0	3723	35.0	21.4	5.0
1213-1	23.0	26.0	6.0	1533-1	31.0	26.0	5.0	31303	43.0	27.9	4.8
1223	40.0	28.0	7.0	2303	41.0	29.0	6.0	31543	20.0	28.5	7.1
1233	34.0	32.0	7.1	2313	30.0	27.0	5.0	32323	36.0	30.0	7.3
1503	26.0	27.0	6.0	3713-1	20.0	26.0	5.0	33903	45.0	31.0	7.8
Minute Mount® 2 Kits											
7124	48.0	29.0	7.0	7155	55.0	30.0	7.0	7168	44.0	35.0	9.0
7125	48.0	32.0	8.0	7156-1	VARIES	VARIES	VARIES	7169	45.0	35.0	10.0
7126	88.0	31.0	8.0	7157	62.0	30.0	7.0	7170-2	54.0	36.0	7.0
7128	110.0	31.0	8.0	7158	55.0	29.0	7.0	7171	111.0	39.0	7.0
7129	78.0	32.0	8.0	7159-2	96.0	31.0	7.0	7172	174.0	39.0	9.8
7131	126.0	31.0	8.0	7160	44.0	32.0	8.0	7173	73.0	31.0	9.8
7132	118.0	31.0	8.0	7161	44.0	32.0	9.0	7174	37.0	32.0	7.1
7138	48.0	32.0	8.0	7162-1	127.0	38.0	7.0	7175	30.0	32.3	8.1
7144	73.0	32.0	8.0	7163-1	32.0	23.0	4.0	7176	52.0	34.6	10.2
7147	54.0	29.0	7.0	7164	173.0	31.0	8.0	7177	111.0	39.0	7.0
7150	60.0	31.0	8.0	7165	55.0	30.0	7.0	7178	37.0	32.5	8.1
7151-2	191.0	30.0	8.0	7166	49.0	31.0	7.0	7179	115.0	38.0	7.0
7152-1	215.0	31.0	8.0	7167	46.0	37.0	9.0	7180	45.0	34.0	8.5

Accessories		
Description	Kit #	Added Plow Weight
Cutting Edge 7-1/2' LD/RD	5532	59
Cutting Edge 8' HD	5533	84
Cutting Edge 8-1/2' HD	26460	91
Cutting Edge 9' HD	5534	95
Cutting Edge 7-1/2' XBLADE Plow	28575	59
Cutting Edge 8' XBLADE Plow	27580	84
Cutting Edge 8-1/2' XBLADE Plow	27585	91
Cutting Edge 9' XBLADE Plow	27590	95
Cutting Edge 8-1/2' EZ-V Plow	28408	82
Cutting Edge 9-1/2' EZ-V Plow	26593	103
Deflector - Rubber 7-1/2', 8', 8-1/2', 9' RD/HD	22470-1	29,31,33,35
Deflector - Rubber 7-1/2', 8', 8-1/2', 9' XBLADE Plow	27600-1	32,33,34,35
Deflector - Rubber 8-1/2' EZ-V Plow	21619	45
Deflector - Rubber 9-1/2' EZ-V Plow	26572	50
Deflector - Rubber 9' & 10' MC	22390	53
Deflector - Steel 6'-9"	22269	24
Deflector - Steel 7-1/2' LD/RD	283	28
Deflector - Steel 8'	26480	33
Deflector - Steel 8-1/2'	26485	35
Deflector - Steel 9'	26490	36
Poly Shoe Kit Personal Plow	27710	3.3
Shoe Kit LD Blades	27880	22
Shoe Kit XBLADE – Curb/Wear Shoe	27222	38
SnoFoil® Assembly for 7-1/2', 8', 8-1/2', 9' M	27100	50
SnoFoil Assembly 9' MC	22380	64
SnoFoil Assembly 10' MC	22200	66

NOTE: The addition of accessories to a snowplow or vehicle will require additional ballast above any amount published in this guide in order to maintain FMVSS compliance. Completed vehicle with additional accessories shall not exceed GVWR or GAWR.

NOTE: An abbreviation key is on page 2.

NOTE: See next page for variable definitions.

Snowplow Weight Calculation

Available vehicle capacities for aftermarket equipment and components can be determined by using the information in this guide along with information provided by the vehicle manufacturer's *Body Builder Guides*. Follow all requirements and recommendations of the vehicle manufacturer.

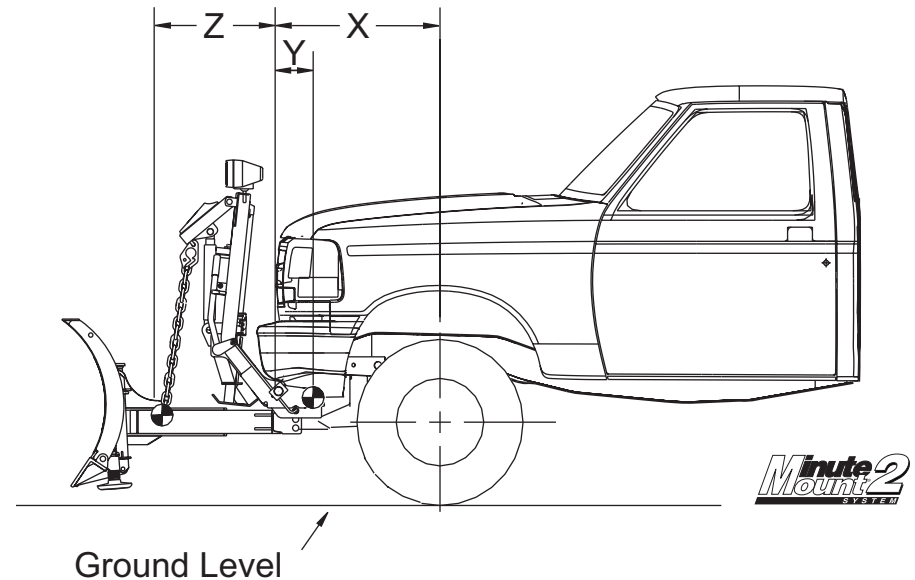
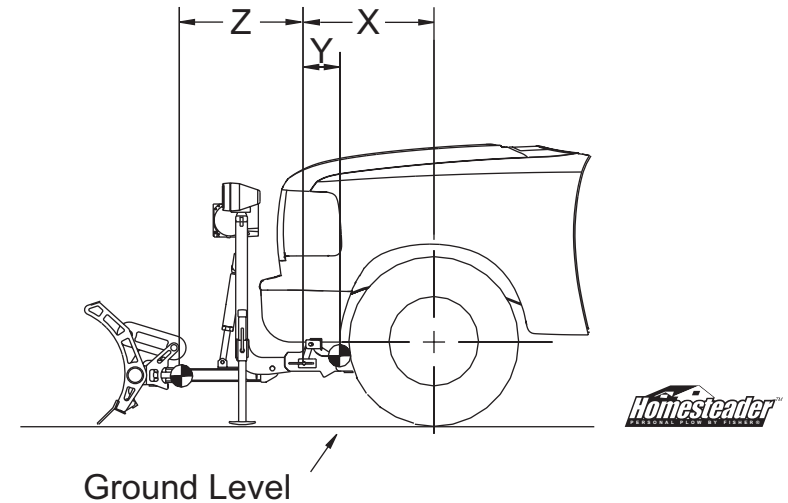
VARIABLES

X = Distance from front axle to connecting pin.

Y = Distance from connecting pin to attachment Cg.

Z = Distance from connecting pin to plow Cg.

NOTE: An abbreviation key is on page 2.



Ballast Inquiry Sheet



FISHER ENGINEERING
 P.O. Box 529
 Rockland, Maine 04841

Telephone (207) 701-4200
 Fax (207) 596-2767

DISTRIBUTOR		TEL
		FAX
CUSTOMER		DATE BUILT
VIN		

VEHICLE INFORMATION

YEAR			
MAKE			
MODEL			
DRIVE TRAIN	<input type="checkbox"/> 2WD (over 10,000 lb. GVW only)	<input type="checkbox"/> 4WD	<input type="checkbox"/> ALL WHEEL <input type="text"/> OTHER
DRW (Dual Rear Wheels)	<input type="checkbox"/> YES	<input type="checkbox"/> NO	
BODY STYLE	<input type="checkbox"/> REG CAB	<input type="checkbox"/> X-CAB	<input type="text"/> OTHER
BOX OPTION(S)	<input type="checkbox"/> DUMP BOX	<input type="checkbox"/> STAKE BED	<input type="text"/> OTHER
ENGINE TYPE			
GFAWR			
GRAWR			
GVWR			

HORIZONTAL DISTANCE DESCRIPTION

L31	DRIVER'S hip point; in MIDDLE position, to Centerline of FRONT axle	(in.)
L101	Between axles (Wheelbase)	(in.)
L104	Middle of FRONT bumper to centerline of FRONT axle	(in.)
	Middle of ballast location to centerline of REAR axle	(in.)

VEHICLE WEIGHT (TRUCK MUST BE WEIGHED COMPLETE AND EMPTY (-) OCCUPANTS, PLOW & MOUNT)

FRONT (lb.)	REAR (lb.)

FUEL TANKS (ONLY NEEDED IF WEIGHED VEHICLE NOT FULLY FUELED)

	LEVEL (see below)	CAPACITY (gal.)	LOCATION FROM REAR AXLE TO CENTER OF TANK (in.)
FRONT OF REAR AXLE			
REAR OF REAR AXLE			

FUEL LEVEL (EMPTY = 0, HALF = 1/2, FULL = 1)

THIS FORM MUST BE COMPLETED IN ITS ENTIRETY. ANY FORMS CONTAINING INCOMPLETE INFORMATION WILL NOT BE CONSIDERED. PLEASE RETURN VIA FAX (207) 596-2767.

FISHER ENGINEERING and the vehicle manufacturer may require or recommend optional equipment for snow removal. See the FISHER ENGINEERING *Kit Selection Guide* for additional product information.



Fisher Engineering
P.O. Box 529
Rockland, ME 04841

 A SUBSIDIARY OF DOUGLAS DYNAMICS, L.L.C.

Fisher Engineering reserves the right under its product improvement policy to change construction or design details and furnish equipment when so altered without reference to illustrations or specifications used. Fisher Engineering and the vehicle manufacturer may require and/or recommend optional equipment for snow removal. Do not exceed vehicle ratings with a snowplow. Fisher Engineering offers a limited warranty on all snowplows and accessories. See separately printed page for this important information. The following are registered (®) and unregistered (™) trademarks of Douglas Dynamics, L.L.C.: EZ-V®, FISHER®, Fish-Stik®, Homesteader™, Insta-Act®, Minute Mount® 2, SnoFoil®, XBLADE™.

Printed in U.S.A.