

29048, 29049, 29050, 29051, 29052, 29053, 29054, 29400-7

HARNESS KIT 3-PORT ISOLATION MODULE LIGHT SYSTEM

w/3-PLUG SYSTEM HARNESSES

Installation Instructions

⚠ CAUTION

Read this document before installing the snowplow.

⚠ CAUTION

See your sales outlet/website for specific vehicle application recommendations before installation. The online selection system has specific vehicle and snowplow requirements.

SAFETY DEFINITIONS

⚠ WARNING

Indicates a potentially hazardous situation that, if not avoided, could result in death or serious personal injury.

⚠ CAUTION

Indicates a potentially hazardous situation that, if not avoided, may result in minor or moderate injury. It may also be used to alert against unsafe practices.

NOTE: Indicates a situation or action that can lead to damage to your snowplow and vehicle or other property. Other useful information can also be described.

FUSES

The snowplow electrical and hydraulic systems contain several blade-style automotive fuses. If a problem should occur and fuse replacement is necessary, the replacement fuse must be of the same type and amperage rating as the original. Installing a fuse with a higher rating can damage the system and could start a fire. Fuse Replacement, including fuse ratings and locations, is located in the Maintenance section of the Owner's Manual.

BATTERY SAFETY

⚠ CAUTION









Batteries normally produce explosive gases, which can cause personal injury. Therefore, do not allow flames, sparks, or lit tobacco to come near the battery. When charging or working near a battery, always cover your face and protect your eyes, and also provide ventilation.

- Batteries contain sulfuric acid, which burns skin, eyes, and clothing.
- Disconnect the battery before removing or replacing any electrical components.

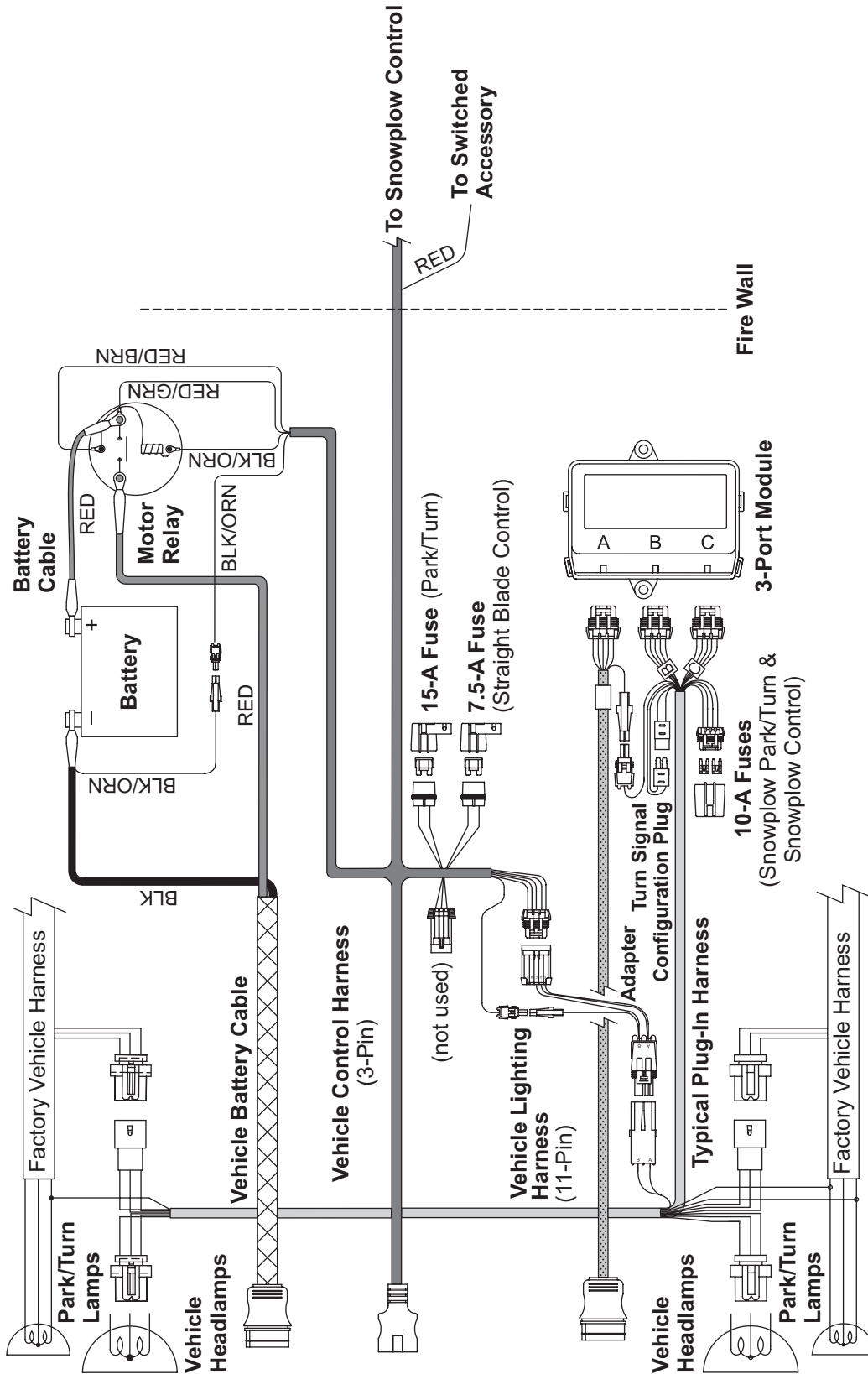
TORQUE CHART

⚠ CAUTION

Read instructions before assembling. Fasteners should be finger tight until instructed to tighten according to the torque chart. Use standard methods and practices when attaching snowplow, including proper personal protective safety equipment.

Recommended Fastener Torque Chart					
Inch Fasteners Grade 5 and Grade 8					
Size	Torque (N·m)		Size	Torque (N·m)	
	 Grade 5	 Grade 8		 Grade 5	 Grade 8
1/4-20	11.4	16.2	9/16-12	148	209
1/4-28	13.1	18.5	9/16-18	164	232
5/16-18	23.6	33.3	5/8-11	203	287
5/16-24	26.0	36.9	5/8-18	230	325
3/8-16	41.8	59.1	3/4-10	365	510
3/8-24	47.5	67.0	3/4-16	403	569
7/16-14	67.0	94.6	7/8-9	582	822
7/16-20	74.8	105.6	7/8-14	643	907
1/2-13	102.1	144.3	1-8	873	1232
1/2-20	115.2	162.7	1-12	954	1349
Metric Fasteners Class 8.8 and 10.9					
Size	Torque (N·m)		Size	Torque (N·m)	
	 Class 8.8	 Class 10.9		 Class 8.8	 Class 10.9
M6 x 1.00	10.4	15.0	M20 x 2.50	441	610
M8 x 1.25	26.4	36.5	M22 x 2.50	580	831
M10 x 1.50	52.2	72.2	M24 x 3.00	762	1055
M12 x 1.75	91	126	M27 x 3.00	1079	1544
M14 x 2.00	145	200	M30 x 3.50	1515	2095
M16 x 2.00	226	313	M33 x 3.50	1990	2849
M18 x 2.50	301	431	M36 x 4.00	2647	3662
These torque values apply to fasteners except those noted in the instructions.					

TYPICAL 3-PLUG, 3-PORT MODULE SYSTEM DIAGRAM



MOTOR RELAY AND VEHICLE BATTERY CABLE INSTALLATION

⚠ CAUTION

Batteries normally produce explosive gases, which can cause personal injury. Therefore, do not allow flames, sparks, or lit tobacco to come near the battery. When charging or working near a battery, always cover your face and protect your eyes, and also provide ventilation.

- Batteries contain sulfuric acid, which burns skin, eyes, and clothing.
- Disconnect the battery before removing or replacing any electrical components.

NOTE: When instructed, make all snowplow battery cable connections to the auxiliary battery, if vehicle is so equipped.

NOTE: For vehicles equipped with a tilt cab or tilt hood, a service loop will be necessary when making harness or cable transitions from the cab/hood to the frame. Check the cable installation for interference by raising and lowering the cab/hood a number of times. Add anti-chafing material (installer-supplied) as needed.

1. Turn OFF the vehicle ignition.
2. Disconnect both the NEGATIVE (–) and the POSITIVE (+) battery cables.
3. Choose a location on the vehicle where the motor relay will be protected from road splash and debris. Motor relay must be within 18" of the vehicle battery. (The motor relay can be farther from the battery if the battery cable provided with either the plug-in harness or adapter kit is longer than 22".)

NOTE: Position motor relay terminals up, horizontal, or in between.

⚠ CAUTION

Before installing self-drilling screws or drilling mounting holes, check the selected mounting area for any wires, hoses, or other obstructions.

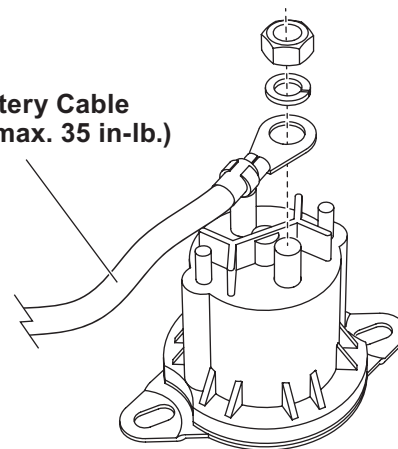
4. Drill two 9/32" mounting holes using the motor relay mounting plate as a template. Mount the motor relay using 1/4" x 3/4" cap screws, 1/4" washers, and 1/4" locknuts.
5. Route the supplied vehicle battery cable from the grille or bumper to the location chosen for mounting the motor relay, avoiding any sharp edges and hot or moving parts. Cable tie only the end section closest to the grille. The vehicle battery cable may need to be lengthened on vehicles with batteries located under or behind the cab. If lengthening is necessary, use the same gauge wire as the vehicle battery cable, and cover all connections with dual-wall heatshrink tubing to prevent shorting.

⚠ CAUTION

Overtightening terminal attaching nuts may cause seal failure, resulting in premature failure of motor relay.

6. Attach the red wire from the vehicle battery cable to the one of the large terminals on the motor relay. Secure with a 5/16" lock washer and 5/16" nut, and tighten to a maximum of 35 in-lb.

Red Vehicle Battery Cable
(Tighten nut to max. 35 in-lb.)

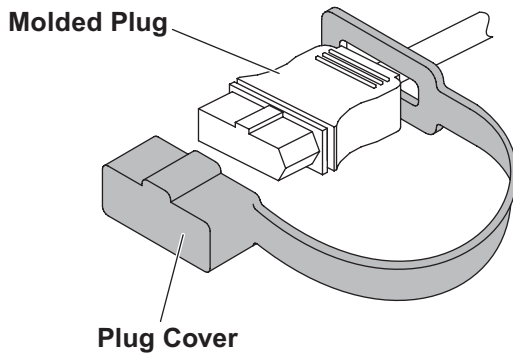


NOTE: Use dielectric grease on all electrical connections to prevent corrosion. Fill receptacles and lightly coat ring terminals before assembly.

7. Route the black wire from the vehicle battery cable to the NEGATIVE (-) battery terminal. Do not connect at this time. On vehicles with the batteries located under or behind the cab, connect the black wire from the vehicle battery cable to the frame using an existing hole or ground bolt. Prior to attaching, clean away any paint or dirt to ensure a good ground connection. The black/orange wire from the vehicle battery cable will connect to the mating connector on the vehicle control harness.

PLUG COVER INSTALLATION

Stretch the rectangular opening of the plug cover strap over the end of the vehicle battery cable. Place the plug cover over the molded plug when snowplow is not in use.



ISOLATION MODULE MOUNTING

⚠ CAUTION

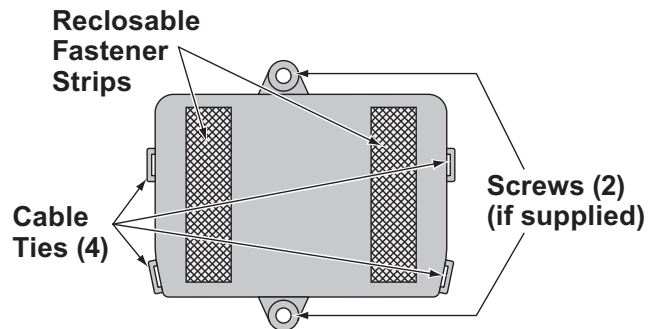
Before installing self-drilling screws or drilling mounting holes, check the selected mounting area for any wires, hoses, or other obstructions.

Isolation modules are sold separately. Check the online selection system for the correct module for your vehicle.

Locate a flat surface within the engine compartment of the vehicle for mounting the isolation module (**on the driver's side, if possible**). For example, the fire wall, fender well, or radiator shroud are possible mounting locations. If a flat surface cannot be located, cable tie the isolation module to existing brackets or harnessing.

Reclosable fastener strips and cable ties are supplied for mounting the isolation module, but self-drilling screws can also be used. When using the reclosable fastener strips, the mounting surface must be free of dirt and grease.

Isolation Module (bottom view)



INSTALLATION OF 3-PORT ISOLATION MODULE PN 29760-1

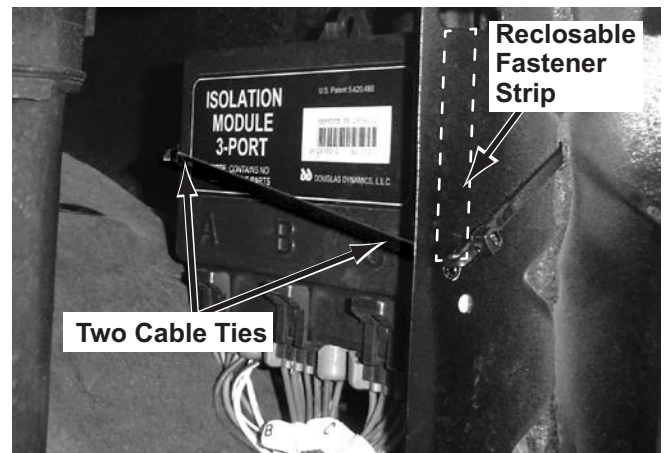
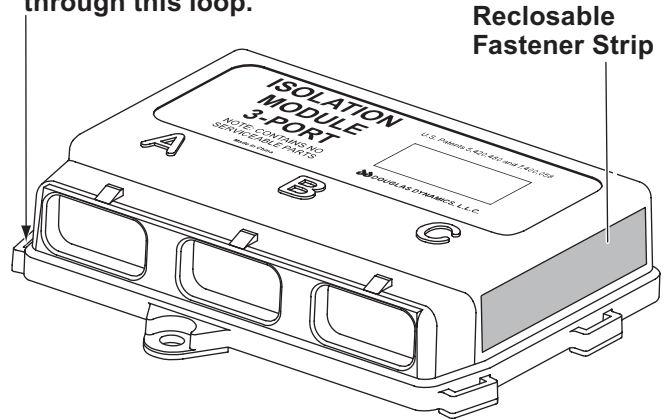
Due to the high temperature found in the engine compartments of some 2008 and later Ford Super Duty trucks, mounting the module behind the driver-side headlamp housing is required. Failure to do so may cause the isolation module to fail.

1. The module must be secured to the headlamp mounting bracket by installing reclosable fastener strips to the edge and wrapping cable ties around the module so that it can be secured to the rear of the headlamp mounting bracket.

2. Be sure to position the module between the headlamp alignment pinholes and maintain a small air gap behind the isolation module.



Route cable tie through this loop.



VEHICLE LIGHTING AND VEHICLE CONTROL HARNESS INSTALLATION

The vehicle lighting and vehicle control harnesses are designed to plug into one another when the snowplow is not attached. To ensure adequate length, plug the harnesses together before cable tying them.

NOTE: For vehicles equipped with a tilt cab or tilt hood, a service loop will be necessary when making harness or cable transitions from the cab/hood to the frame. Check the cable installation for interference by raising and lowering the cab/hood a number of times. Add anti-chafing material (installer-supplied) as needed.

1. Route both harnesses around or through the radiator bulkhead to the isolation module.
2. Make the following connections:
 - 10-position connector from vehicle control harness to 10-position connector from adapter included with harness kit.
 - Single-wire connector from vehicle control harness to single-wire connector from adapter included with harness kit.
 - For vehicles requiring the 69826, 69826-1, or 69826-2 Relay Adapter Kit, refer to the Installation Instructions packed with the kit.
 - 4-position connector from adapter included with harness kit to 4-position connector from plug-in harness.
 - Vehicle lighting harness to position "A" on the 3-port isolation module.*

NOTE: The 3-position connector on the vehicle control harness (4-port module configuration plug) will not be used. Cover the terminals with dielectric grease and cap off with electrical tape.

3. Route the end of the vehicle control harness with the white 6-pin connector or the 10 loose terminals to the fire wall. Route the vehicle control harness breakout with four wires to the motor relay.

Motor relay small terminal connections:

Straight blades — brown/red and black/orange
V-plows — brown/red and brown/green

CAUTION

Overtightening terminal attaching nuts may cause seal failure, resulting in premature failure of motor relay.

4. Secure the wires to the small terminals of the motor relay with #10 lock washers and #10-32 nuts. Tighten to a maximum 15 in-lb.
5. Connect the single-wire connector (black/orange wire) from the vehicle control harness breakout to the single-wire connector (black/orange wire) from the vehicle battery cable. Do not cable tie the harness at this time.
6. Attach the supplied red battery cable and the red/green wire from the vehicle control harness to a large terminal on the motor relay with a 5/16" lock washer and 5/16" nut, and tighten to a maximum 35 in-lb. Route the supplied red battery cable between motor relay terminal and POSITIVE (+) battery terminal, avoiding sharp edges and hot or moving parts. Do not make battery connection at this time.

CAUTION

Before installing self-drilling screws or drilling mounting holes, check the selected mounting area for any wires, hoses, or other obstructions.

7. On the driver's side, locate an existing hole through the fire wall for the vehicle control harness. If access through the fire wall does not exist, drill a 5/8" hole through the fire wall of the vehicle in a convenient location away from sharp edges and hot or moving parts.

*For installations requiring an adapter, follow the instructions included with the adapter.

8. Remove the packing material from the end of the vehicle control harness, if present. Carefully push the end of the harness through fire wall hole into the cab. Use a grommet, existing plug cover, or proper chafing material to protect the harness where it passes through the fire wall. Route the harness to the selected control mounting location.

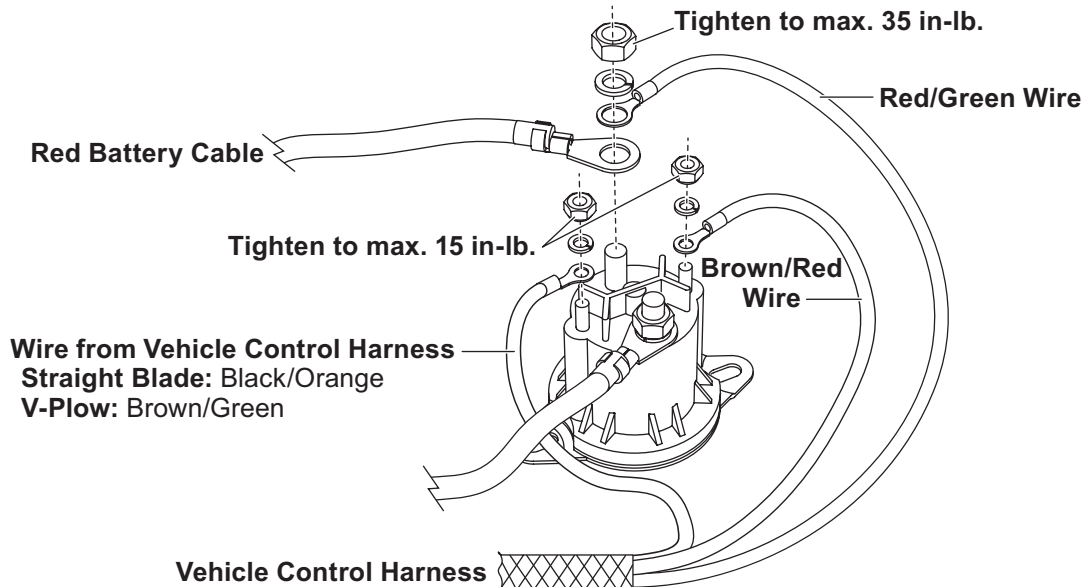
If the harness has 10 socket-type terminals, follow the instructions in the next section to attach the terminals to the connector.

9. To mount the control, follow the instructions supplied with the control.

10. Locate an accessory wire controlled by the ignition switch. Acceptable accessory wires show +12V when the ignition switch is ON, and 0V when it is OFF.

11. Route the red wire from the vehicle control harness to this location and trim away excess length.

12. Following the instructions in the Recommended Splicing Procedure section, splice the red wire into the switched accessory wire using the supplied parallel splices and heatshrink tubing.



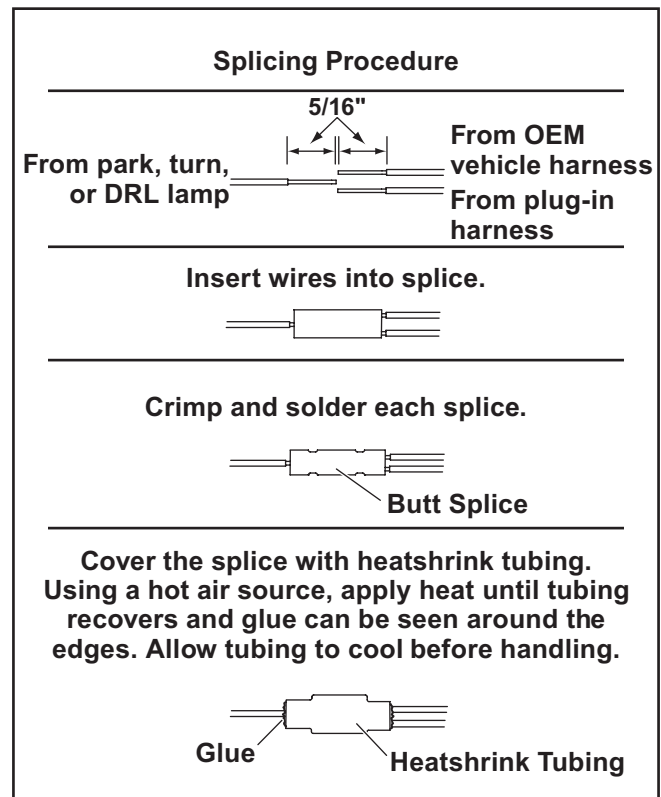
RECOMMENDED SPLICING PROCEDURE

1. Locate the wire to be spliced into.
2. Cut the wire at least 1-1/2" from any other splice, connector, or terminal. If wires are covered by tubing or braid, remove enough of it to achieve the minimum clearance required.
3. Strip away 5/16" of the insulation from the ends of the wires to be spliced.
4. Slide two wires into one end of the supplied parallel splice.
5. Place a piece of heatshrink tubing (3/16" x 1-1/4") over the remaining wire to be spliced. Cut the tubing into 1-1/4" lengths if required.
6. Insert the wire into the open end of the splice and crimp using an appropriate crimp tool. One or two crimps may be necessary to ensure a good connection. No wire strands should be visible outside of the splice.
7. Preheat a soldering tool for at least one minute to help promote even solder flow.
8. Apply heat to the splice. Avoid heating too close to the insulation. Apply solder to the wires, using just enough solder to produce an even flow through the splice. **Use rosin core solder ONLY. Do not use acid core solder.**

NOTE: Avoid using an excessive amount of solder, as it can result in wicking. Wicking occurs when solder travels up the wire core. This may cause the wire to become stiff or brittle, which could lead to a broken or open circuit.

9. Check circuits for continuity.
10. Cover the splice with heatshrink tubing. The tubing should extend beyond the splice on both sides.
11. Using a hot air source, starting in the center and working to either side, apply heat until the tubing recovers and glue can be seen around the edges. Allow the tubing to cool before handling.

NOTE: The splices supplied will accommodate 18-gauge wires as shown. For larger-gauge wires, cut the wire, strip the ends 3/8" to 1/2", and twist together. Apply solder to the splice and cover with heatshrink tubing.



**PLUG-IN HARNESS INSTALLATION:
VEHICLES USING THE 29053 HARNESS KIT**

1. Locate the passenger-side OEM vehicle headlamp connector located near the tilt-hood hinge below the headlamp housing.
2. Remove the small light gray connector lock by carefully sliding it back away from the connector. Save the connector lock. Separate the connectors by pushing down on the locking tab and pulling them apart.
3. Connect the plug-in harness female connector to the male OEM vehicle headlamp connector. Reinstall the small, light gray connector lock.
4. Connect the plug-in harness male connector to the female OEM vehicle headlamp connector.
5. Route the remaining half of the plug-in harness to the driver-side OEM vehicle headlamp connector, and repeat Steps 2–4.
6. Route the plug-in harness to the 3-port isolation module by running the harness along the existing cables underneath the engine and radiator area. Connect the plug-in harness to the module by matching harness connector B with module port B and harness connector C with module port C.
7. Cable tie the vehicle control harness, vehicle lighting harness, and plug-in harness away from any sharp, hot, or moving parts. The vehicle control harness and vehicle lighting harness are designed to plug into one another for storage.
8. Skip ahead to the Turn Signal Configuration Plug section.

**PLUG-IN HARNESS INSTALLATION:
VEHICLES USING THE 29054 HARNESS KIT**

1. Locate the passenger-side OEM vehicle headlamp connector located near the tilt-hood hinge below the headlamp housing.
2. Remove the small, light gray connector lock by depressing the tabs on both sides and pulling outward. Save the connector lock.
3. Disconnect the connector by lifting up on the locking tab and pulling it apart. Carefully unclip the vehicle headlamp harness and reroute it back to the frame, cable tying as necessary.
4. Connect the plug-in harness female connector to the male OEM vehicle headlamp connector. Reinstall the small, light gray connector lock. Route the plug-in harness back toward the frame using existing cable clips.
5. Connect the plug-in harness male connector to the female OEM vehicle headlamp connector.
6. Route the plug-in harness to the 3-port isolation module. Connect the plug-in harness to the module by matching harness connector B with module port B and harness connector C with module port C.
7. Cable tie the vehicle control harness, vehicle lighting harness, and plug-in harness away from any sharp, hot, or moving parts. The vehicle control harness and vehicle lighting harness are designed to plug into one another for storage.
8. There is no turn signal configuration plug on this harness. Skip ahead to the Under-Dash Vehicle Control Harness Connector Pin Assignments section.

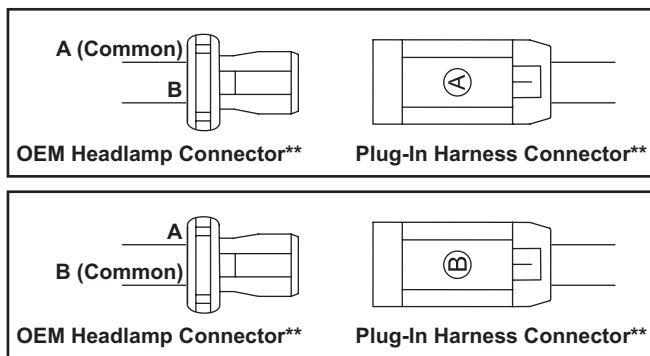
**PLUG-IN HARNESS INSTALLATION:
ALL OTHER APPLICATIONS**

NOTE: For vehicles equipped with a tilt cab or tilt hood, a service loop will be necessary when making harness or cable transitions from the cab/hood to the frame. Check the cable installation for interference by raising and lowering the cab/hood a number of times. Add anti-chafing material (installer-supplied) as needed.

1. **For vehicles using the 29048 Harness Kit:** The plug-in harness contains four reversible 2-position connectors (two gray and two black). The gray connectors connect to the low beams and the black connectors connect to the high beams.

For vehicles using the 29400-7 Harness Kit: The plug-in harness contains four reversible 2-position connectors. One set of connectors connects to the HB-3 bulbs and one set connects with the H11 bulbs.

NOTE: To properly install reversible 2-position connectors, it is necessary to know which pin of the OEM headlamp connectors is common.* When mating the OEM headlamp connectors with the plug-in harness, be sure to orient the connectors as shown below.

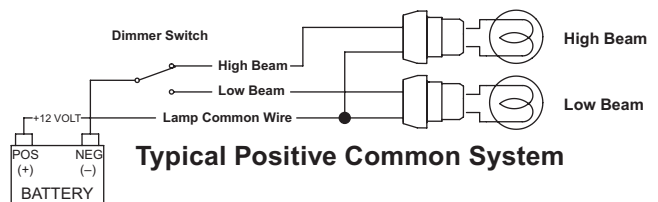
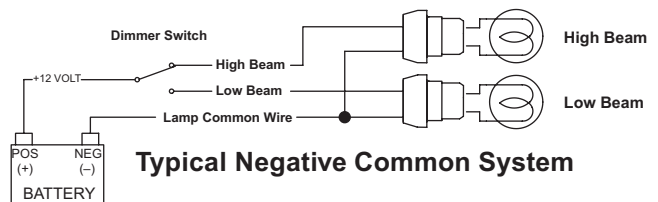
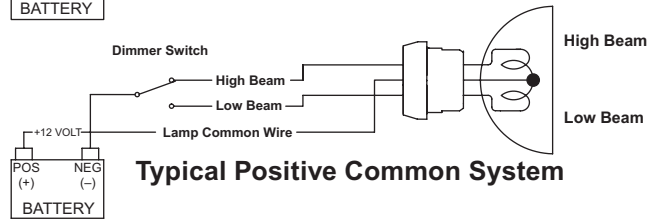
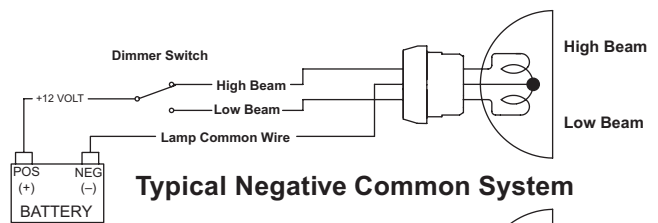


** Connector appearance will vary.

NOTE: DO NOT PROBE OR DAMAGE THE WIRE INSULATION. When the common wire is located, the test lamp will illuminate.

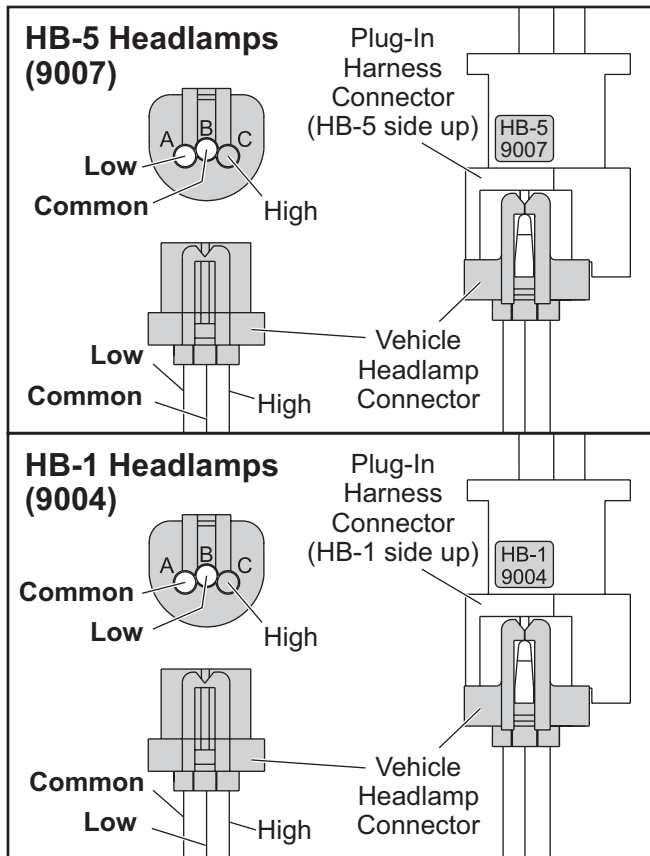
Negative Common — A circuit that operates having a NEGATIVE (–) common will have ground to the load (headlamp, coil, or motor relay) at all times. A switched 12V DC is required to complete and activate the circuit. Verify by connecting the test light lead to the battery's POSITIVE (+) terminal and test the OEM wires at the connector.

Positive Common — A circuit that operates having a POSITIVE (+) common will have 12V DC to the load (headlamp, coil, or motor relay) at all times. A switched ground is required to complete and activate the circuit. Verify by connecting the test light lead to the battery's NEGATIVE (–) terminal and test the OEM wires at the connector.



* See A & B markings on the OEM headlamp connector for pin identification when testing for common.

For vehicles using the 29050 Harness Kit with the 29056-1 Adapter Kit: Connect the 29050 to the HB-5 headlamps on the vehicle. The adapter will connect to the HB-1 headlamps.



For vehicles using the 29050 Harness Kit with HB-5 (9007) Headlamps: Plug the vehicle headlamp connectors into plug-in harness with the locking tabs on the same side as the "HB-5" text.

For vehicles using the 29050 Harness Kit with the 26641-1 or 28860-1 Adapter Kit: Plug the adapters into the plug-in harness with the locking tabs on the same side as the "HB-5" text.

For vehicles using the 29050 Harness Kit with HB-1 (9004) Headlamps: The 29050 harness comes from the factory configured for HB-5 (9007) headlamps. To convert this harness to be compatible with HB-1 (9004) headlamps: first, plug the vehicle headlamp connectors into the plug-in harness with the locking tabs on the same side as the "HB-1" text; and second, reverse the position of the low beam and common wires in the blue plug-in harness connector (move common wire to pin A and low beam wire to pin B).

For vehicles using the 29052 Harness Kit: The plug-in harness connects to the headlamp housings, not the headlamp bulbs.

2. Remove the headlamp or headlamp housing connectors. Connect the plug-in harness to the mating connectors removed from the headlamps or headlamp housings.* Connect the plug-in harness to the mating connections at the headlamps or headlamp housings. Route the plug-in harness to the 3-port isolation module. Connect the plug-in harness to the module by matching harness connector B with module port B and harness connector C with module port C.

For vehicles with dedicated DRL bulbs: Connect the DRL wire from the plug-in harness to the vehicle DRL bulb POSITIVE (+) wire.

For vehicles with headlamp bulb or turn signal DRLs: The DRL wire from the plug-in harness will not be used. Coil and cable tie the DRL wire.

* For installations requiring an adapter, follow the instructions included with the adapter.

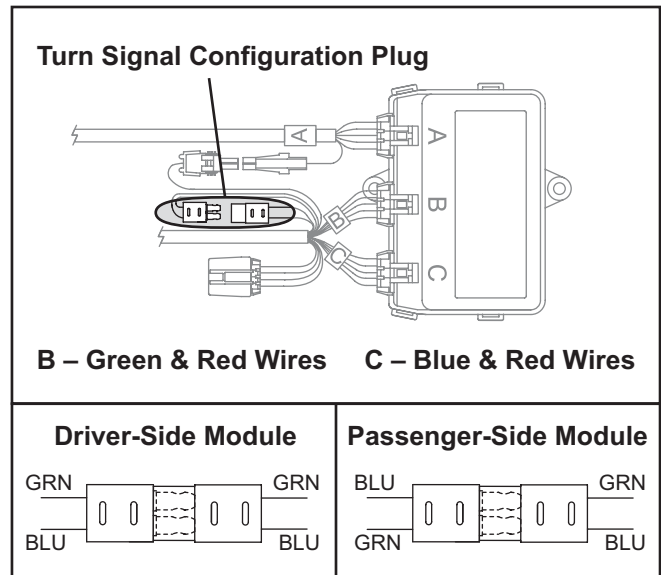
3. If not already done during adapter installation, locate the turn signal wire on each side of the vehicle. Splice the "TURN" wire from the plug-in harness into the signal wire on the corresponding side following the instructions in the Recommended Splicing Procedure section.
4. **For vehicles requiring the 69826, 69826-1, or 69826-2 Relay Adapter Kit**, refer to the Installation Instructions packed with the kit.
5. If not already done during adapter installation, splice the "PARK" wire from the plug-in harness into the parking light wire following instructions in the Recommended Splicing Procedure section.
6. Cable tie the vehicle control harness, vehicle lighting harness, and plug-in harness away from any sharp, hot, or moving parts. The vehicle control harness and vehicle lighting harness are designed to plug into one another for storage.
7. **For vehicles using the 29400-7 Harness Kit:** To complete the installation, secure the relay assemblies to an existing assembly using cable ties. Mount the relay connectors wire side down.

TURN SIGNAL CONFIGURATION PLUG

⚠ WARNING

If the turn signal configuration plug is mated incorrectly, the turn signals will be reversed between the vehicle and the snowplow.

1. Mate the turn signal configuration plug located on the plug-in harness. If the isolation module is installed on the driver's side, mate the plug so that the wire colors match (green to green and blue to blue). If the module is installed on the passenger's side, mate the plug so that the wire colors are opposite (green to blue).



2. Connect the single-wire connector from the vehicle lighting harness to the single-wire connector from the plug-in harness.

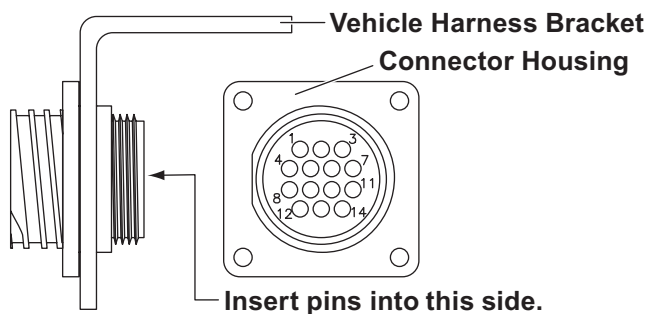
UNDER-DASH VEHICLE CONTROL HARNESS CONNECTOR PIN ASSIGNMENTS (Certain Models Only)

If the end of the harness already has a connector, skip to the next section. If the end of the harness has 10 socket-type terminals, follow the instructions in this section to install the terminals into the connector housing.

1. In the cab, pass the 10 socket-type terminals through the vehicle harness bracket.
2. Insert each of the 10 socket-type terminals into the connector housing. Refer to the chart below.

NOTE: You will feel a snap as the terminals are successfully inserted. An extraction tool is provided for removing pin terminals if necessary. Keep this tool for future use.

Wire Color	Pin No.
Light Blue w/Orange Stripe	1
Blue w/Orange Stripe	2
Black w/White Stripe	3
Light Green	4
Light Blue	5
White w/Yellow Stripe	6
Brown w/Red Stripe	7
Red w/Yellow Stripe	8
Black w/Orange Stripe	9
Brown w/Green Stripe	10



3. Attach the vehicle harness bracket to the vehicle with the supplied #8-18 x 5/8" tapping screws. Secure the connector housing to the vehicle harness bracket with #6 x 1/4" tapping screws and lock washers.

NOTE: Cable tie control harness and accessory tap away from any moving parts, brake, clutch, gas, or parking brake pedals.

BATTERY CABLE CONNECTIONS

Top Post Batteries w/Lead Cable Ends

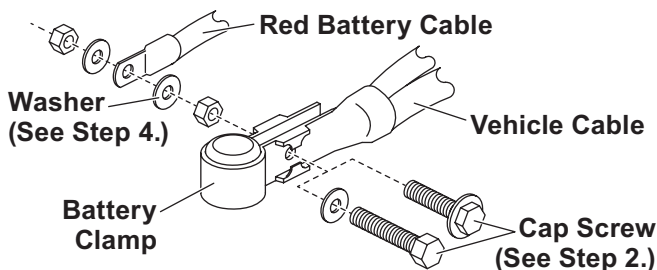
1. Attach the POSITIVE (+) OEM cable to the battery post. Attach the red battery cable to the bolt in the OEM terminal with original fastener.
2. Attach the NEGATIVE (-) OEM cable to the battery post. Attach the black wire from the vehicle battery cable to the OEM terminal bolt with original fastener.

Top Post Batteries w/Stamped Steel Battery Terminals

Top Post Batteries, Style One

These terminals are secured with a 6 mm washer-head cap screw and nut.

1. If the cap screw is long enough for the added thickness of the cable terminal, washer, and nut, it will not need to be replaced, and Step 2 may be skipped.
2. Carefully lift retainer tabs (if present), and remove the short cap screw. Insert the supplied longer cap screw through a 3/16" washer and into the hole in the clamp. Carefully bend the retainer tabs back into place.

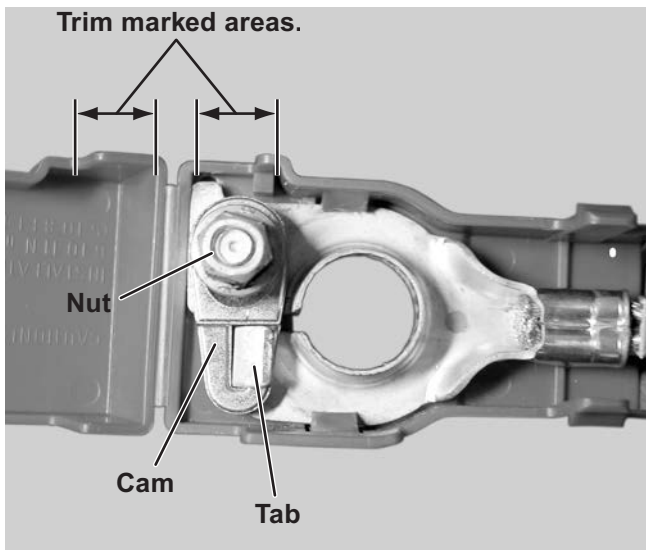


3. Attach POSITIVE (+) OEM battery clamp to battery post and secure clamp.
4. Place red battery cable over the end of the battery terminal screw. If added terminal has large contact area with the battery clamp, retain with washer and nut. If the terminal contact area is small (terminal hole almost passes over a 6 mm nut), add a washer to both sides of the cable, and secure with a nut.
5. Connect the black wire from the vehicle battery cable and the OEM NEGATIVE (-) cable to the NEGATIVE (-) battery terminal following the same procedure used in Steps 1-4.

Top Post Batteries, Style Two

These terminals are secured with a 6 mm tapered nut and cam.

1. Make the connections to the POSITIVE (+) terminal as follows:
 - a. Remove the cable assembly from the battery post by loosening the nut. Trim the plastic terminal cover as shown.



- b. Carefully bend the tab securing the cam upward so that the cam can be lifted off the stamped terminal after the nut has been removed.
 - c. Place the red battery cable over the battery terminal screw.
 - d. Slide the cam over the terminal screw and tab. Reinstall the nut.
 - e. Place the cable assembly on the battery post, align the red battery cable with the opening in the cover, and tighten nut. Close the plastic terminal cover.

2. Make the connections to the NEGATIVE (-) terminal as follows:
 - a. Remove the cable assembly from the battery post by loosening the nut.
 - b. Carefully bend the tab securing the cam upward so that the cam can be lifted off the stamped terminal after the nut has been removed.
 - c. Place the black wire from the vehicle battery cable over the battery terminal screw.
 - d. Slide the cam over the terminal screw and tab. Reinstall the nut.
 - e. Place the cable assembly on the battery post, and tighten nut.

Top Post Batteries, Style Three

These terminals are similar to Style Two, but do not have a visible cam or tab.

1. Make the connections to the POSITIVE (+) terminal as follows:
 - a. Remove the cable assembly from the battery post by removing the nut. Trim the plastic terminal cover as necessary to accommodate the red snowplow battery cable.
 - b. Place the red battery cable over the battery terminal screw and reinstall the nut.
 - c. Place the cable assembly on the battery post, align the red battery cable with the opening in the cover, and tighten nut. Close the plastic terminal cover.
2. Make the connections to the NEGATIVE (-) terminal as follows:
 - a. Remove the cable assembly from the battery post by removing the nut.
 - b. Place the black wire from the vehicle battery cable over the battery terminal screw and reinstall the nut.
 - c. Place the cable assembly on the battery post, and tighten nut.

Side Terminal Batteries

1. Use the furnished battery cable adapter to attach the red battery cable to the POSITIVE (+) terminal of the battery. Position the cable, and tighten the adapter to 124–178 in-lb.
2. Connect the OEM POSITIVE (+) cable to the adapter on the battery. Position the cable and, while holding the adapter, tighten the battery cable bolt to 124–178 in-lb.
3. Connect the black wire from the vehicle battery cable and the OEM NEGATIVE (-) cable to the NEGATIVE (-) battery terminal following the same procedure used in Steps 1 and 2.

The company reserves the right under its product improvement policy to change construction or design details and furnish equipment when so altered without reference to illustrations or specifications used. This equipment manufacturer or the vehicle manufacturer may require or recommend optional equipment for snow removal. Do not exceed vehicle ratings with a snowplow. The company offers a limited warranty for all snowplows and accessories. See separately printed page for this important information.

Printed in U.S.A.

The company reserves the right under its product improvement policy to change construction or design details and furnish equipment when so altered without reference to illustrations or specifications used. This equipment manufacturer or the vehicle manufacturer may require or recommend optional equipment for snow removal. Do not exceed vehicle ratings with a snowplow. The company offers a limited warranty for all snowplows and accessories. See separately printed page for this important information.

Printed in U.S.A.

Top Post Batteries, Style Three

Side Terminal Batteries

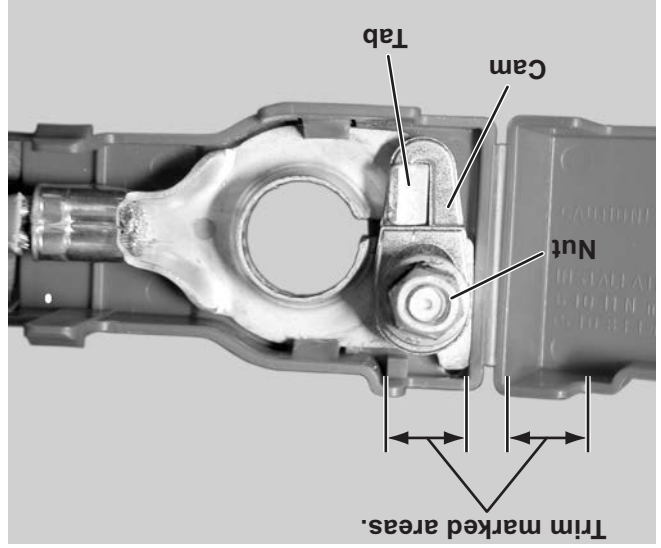
- These terminals are similar to Style Two, but do not have a visible cam or tab.
1. Make the connections to the POSITIVE (+) terminal as follows:
 - a. Remove the cable assembly from the battery post by removing the nut. Trim the plastic terminal cover as necessary to accommodate the red snowplow battery cable.
 - b. Place the red battery cable over the battery terminal screw and reinstall the nut.
 - c. Place the cable assembly on the battery post, align the red battery cable with the opening in the cover, and tighten the nut. Close the plastic terminal cover.
 2. Make the connections to the NEGATIVE (-) terminal as follows:
 - a. Remove the cable assembly from the battery post by removing the nut.
 - b. Place the black wire from the vehicle battery cable over the battery terminal screw and reinstall the nut.
 - c. Place the cable assembly on the battery post, and tighten the nut.
 3. Connect the black wire from the vehicle battery cable and the OEM NEGATIVE (-) cable to the NEGATIVE (-) battery terminal following the same procedure used in Steps 1 and 2.

Top Post Batteries, Style Two

These terminals are secured with a 6 mm tapered nut and cam.

1. Make the connections to the POSITIVE (+) terminal as follows:

- a. Remove the cable assembly from the battery post by loosening the nut. Trim the plastic terminal cover as shown.



- a. Remove the cable assembly from the battery post by loosening the nut.
- b. Carefully bend the tab securing the cam upward so that the cam can be lifted off the stamped terminal after the nut has been removed.
- c. Place the black wire from the vehicle battery cable over the battery terminal screw.
- d. Slide the cam over the terminal screw and tab. Reinstall the nut.
- e. Place the cable assembly on the battery post, and tighten the nut.

- b. Carefully bend the tab securing the cam upward so that the cam can be lifted off the stamped terminal after the nut has been removed.
- c. Place the red battery cable over the battery terminal screw.
- d. Slide the cam over the terminal screw and tab. Reinstall the nut.
- e. Place the cable assembly on the battery post, align the red battery cable with the opening in the cover, and tighten the nut. Close the plastic terminal cover.

BATTERY CABLE CONNECTIONS

Top Post Batteries w/Lead Cable Ends

1. Attach the POSITIVE (+) OEM cable to the battery post. Attach the red battery cable to the bolt in the OEM terminal with original fastener.

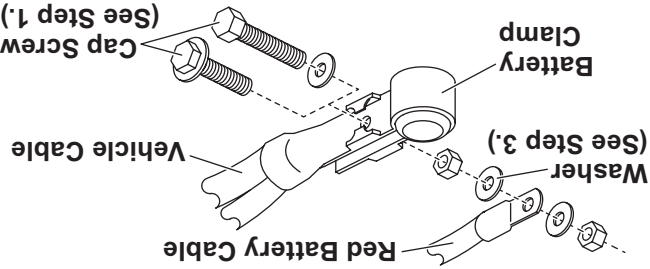
2. Attach the NEGATIVE (-) OEM cable to the battery post. Attach the black wire from the vehicle battery cable to the OEM terminal bolt with original fastener.

Top Post Batteries w/Stamped Steel Battery Terminals

Top Post Batteries, Style One

These terminals are secured with a 6 mm washer-head cap screw and nut. If the cap screw is already long enough for the added thickness of the cable terminal, washer, and nut, it will not need to be replaced, and Step 1 may be skipped.

1. Carefully lift retainer tabs (if present) and remove the short cap screw. Insert the supplied longer cap screw through a 3/16" washer and into the hole in the clamp. Carefully bend the retainer tabs back into place.

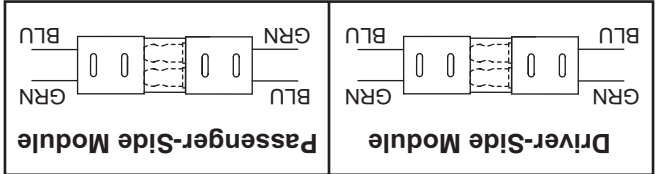
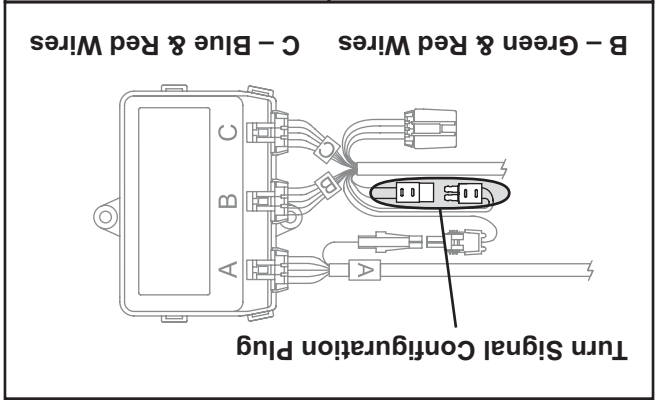


TURN SIGNAL CONFIGURATION PLUG

▲ WARNING

If the turn signal configuration plug is mated incorrectly, the turn signals will be reversed between the vehicle and the snowplow.

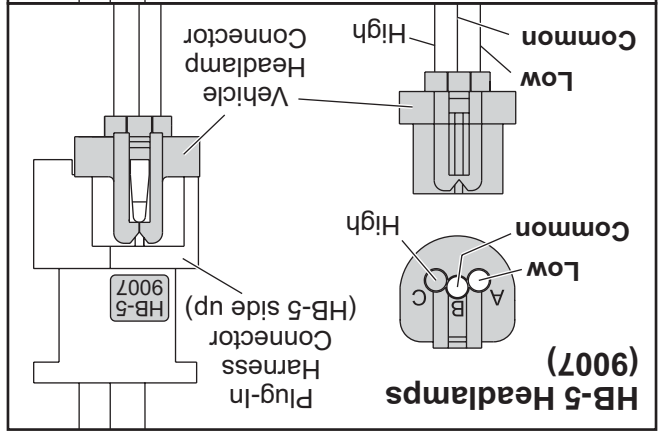
1. Mate the turn signal configuration plug located on the plug-in harness. If the isolation module is installed on the driver's side, mate the plug so that the wire colors match (green to green and blue to blue). If the module is installed on the passenger's side, mate the plug so that the wire colors are opposite (green to blue).



2. Connect the single-wire connector from the vehicle lighting harness to the single-wire connector from the plug-in harness.

2. Attach the POSITIVE (+) OEM battery clamp to the battery post, and secure the clamp.
3. Place the red battery cable over the end of the battery terminal screw. If the added terminal has large contact area with the battery clamp, retain with washer and nut. If the terminal contact area is small (terminal hole almost passes over a 6 mm nut), add a washer on both sides of the cable and secure with a nut.
4. Connect the black wire from the vehicle battery cable and the OEM NEGATIVE (-) cable to the NEGATIVE (-) battery terminal following the same procedure used in Steps 1-4.

For vehicles using the 29050 Harness Kit with HB-5 (9007) Headlamps: Plug the vehicle headlamp connectors into plug-in harness with the locking tabs on the same side as the "HB-5" text.



For vehicles using the 29050 Harness Kit with the 26641-1 or 28860-1 Adapter Kit: Plug the adapters into the plug-in harness with the locking tabs on the same side as the "HB-5" text.

For vehicles using the 29050 Harness Kit with HB-1 (9004) Headlamps: The 29050 harness comes from the factory configured for HB-5 (9007) headlamps. To convert this harness to be compatible with HB-1 (9004) headlamps:

first, plug the vehicle headlamp connectors into the plug-in harness with the locking tabs on the same side as the "HB-1" text; and second, reverse the position of the low beam and common wires in the blue plug-in harness connector (move common wire to pin A and low beam wire to pin B).

For vehicles using the 29052 Harness Kit:

The plug-in harness connects to the headlamp housings, not the headlamp bulbs.

* For installations requiring an adapter, follow the instructions included with the adapter.

2.

Remove the headlamp or headlamp housing connectors. Connect the plug-in harness to the mating connectors removed from the headlamps or headlamp housings.* Connect the plug-in harness to the mating connections at the headlamps or headlamp housings. Route the plug-in harness to the 3-port isolation module. Connect the plug-in harness to the module by matching harness connector B with module port B and harness connector C with module port C.

For vehicles with dedicated DRL bulbs:

Connect the DRL wire from the plug-in harness to the vehicle DRL bulb POSITIVE (+) wire.

For vehicles with headlamp bulb or turn signal DRLs: The DRL wire from the plug-in harness will not be used. Coil and cable tie the DRL wire.

For vehicles requiring the 69826, 69826-1 or 69826-2 Relay Adapter Kit, refer to the Installation Instructions packed with the kit.

3. Connect the black 4-position connector from the middle of the vehicle control harness to the 4-position connector from the plug-in harness.

4. If not already done during adapter installation,

locate the turn signal wire on each side of the vehicle. Splice the "TURN" wire from the plug-in harness into the signal wire on the

corresponding side following the instructions in the Recommended Splicing Procedure section.

5. If not already done during adapter installation, splice the "PARK" wire from the plug-in harness into the parking light wire following the instructions in the Recommended Splicing Procedure section.

6. Cable tie the vehicle control harness, vehicle lighting harness, and plug-in harness away from any sharp, hot, or moving parts.

7. **For vehicles using the 29400-7 Harness Kit:**

To complete the installation, secure the relay assemblies to an existing assembly using cable ties. Mount the relay connectors wire side down.

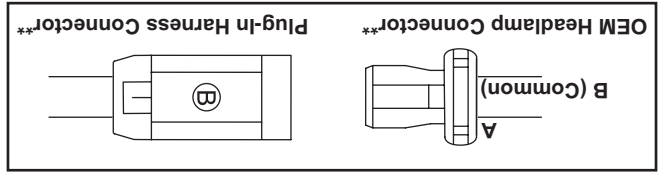
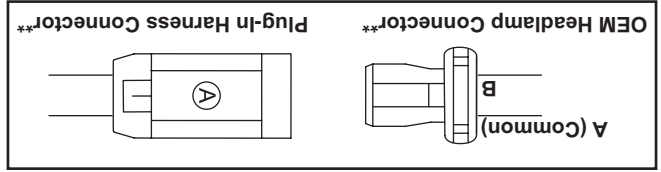
**PLUG-IN HARNESS INSTALLATION:
ALL OTHER APPLICATIONS**

NOTE: For vehicles equipped with a tilt cab or tilt hood, a service loop will be necessary when making harness or cable transitions from the cab/hood to the frame. Check the cable installation for interference by raising and lowering the cab/hood a number of times. Add anti-chafing material (installer-supplied) as needed.

1. For vehicles using the 29048 Harness Kit: The plug-in harness contains four reversible 2-position connectors (two gray and two black). The gray connectors connect to the low beams and the black connectors connect to the high beams.

For vehicles using the 29400-7 Harness Kit: The plug-in harness contains four reversible 2-position connectors. One set of connectors connects to the HB-3 bulbs and one set connects with the H11 bulbs.

NOTE: To properly install reversible 2-position connectors, it is necessary to know which pin of the OEM headlamp connectors is common.* When mating the OEM headlamp connectors with the plug-in harness, be sure to orient the connectors as shown below.



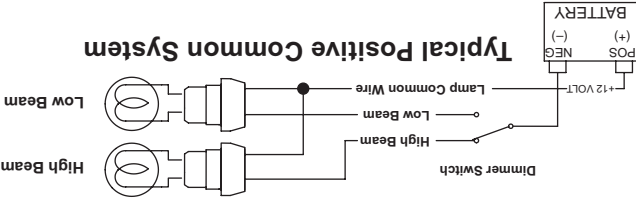
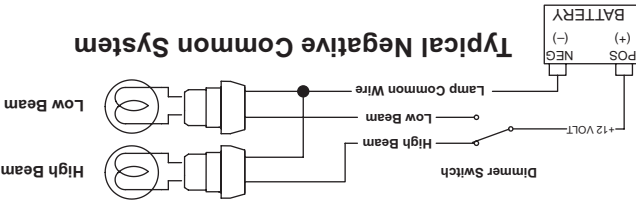
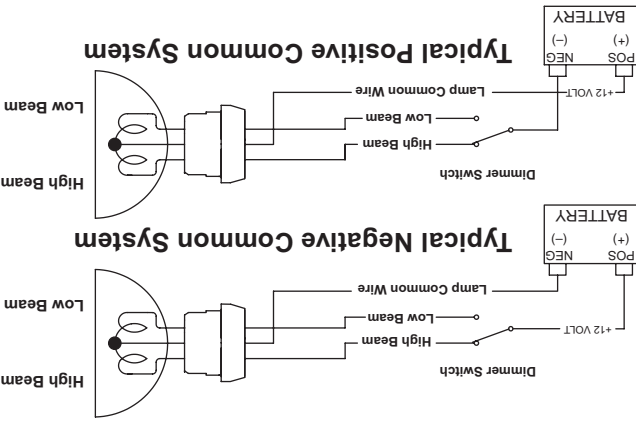
** Connector appearance will vary.

NOTE: DO NOT PROBE OR DAMAGE THE WIRE INSULATION. When the common wire is located the test lamp will illuminate.

* See A & B markings on the OEM headlamp connector for pin identification when testing for common.

Negative Common — A circuit that operates having a NEGATIVE (–) common will have ground to the load (headlamp, coil, or motor relay) at all times. A switched 12V DC is required to complete and activate the circuit. Verify by connecting the test light lead to the battery's POSITIVE (+) terminal and test the OEM wires at the connector.

Positive Common — A circuit that operates having a POSITIVE (+) common will have 12V DC to the load (headlamp, coil, or motor relay) at all times. A switched ground is required to complete and activate the circuit. Verify by connecting the test light lead to the battery's NEGATIVE (–) terminal and test the OEM wires at the connector.



**PLUG-IN HARNESS INSTALLATION:
VEHICLES USING THE 29054 HARNESS KIT**

1. Locate the passenger-side OEM vehicle headlamp connector located near the tilt-hood hinge below the headlamp housing.
2. Remove the small, light gray connector lock by depressing the tabs on both sides and pulling outward. Save the connector lock.
3. Disconnect the connector by lifting up on the locking tab and pulling it apart. Carefully unclip the vehicle headlamp harness and reroute it back to the frame, cable tying as necessary.
4. Connect the plug-in harness female connector to the male OEM vehicle headlamp connector. Reinstall the small, light gray connector lock. Route the plug-in harness back toward the frame using existing cable clips.
5. Connect the plug-in harness male connector to the female OEM vehicle headlamp connector.
6. Route the plug-in harness to the 3-port isolation module. Connect the plug-in harness to the module by matching harness connector B with module port B and harness connector C with module port C.
7. Connect the black 4-position connector from the middle of the vehicle control harness to the 4-position connector from the plug-in harness.
8. Cable tie the vehicle control harness, vehicle lighting harness, and plug-in harness away from any sharp, hot, or moving parts.
9. There is no turn signal configuration plug on this harness. Skip ahead to Under-Dash Vehicle Control Harness Connector Pin Assignments section.

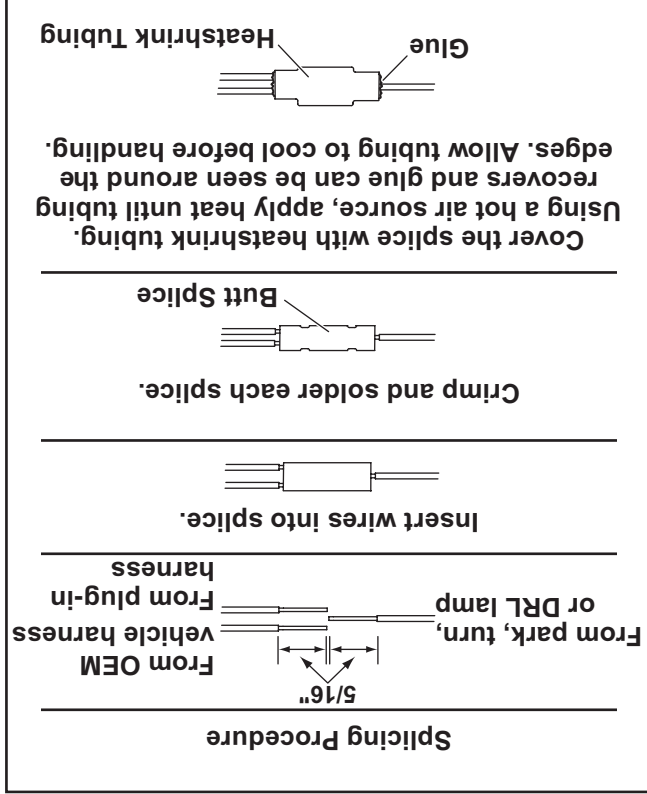
**PLUG-IN HARNESS INSTALLATION:
VEHICLES USING THE 29053 HARNESS KIT**

1. Locate the passenger-side OEM vehicle headlamp connector located near the tilt-hood hinge below the headlamp housing.
2. Remove the small, light gray connector lock by carefully sliding it back away from the connector. Save the connector lock. Separate the connectors by pushing down on the locking tab and pulling them apart.
3. Connect the plug-in harness female connector to the male OEM vehicle headlamp connector. Reinstall the small, light gray connector lock.
4. Connect the plug-in harness male connector to the female OEM vehicle headlamp connector.
5. Route the remaining half of the plug-in harness to the driver-side OEM vehicle headlamp connector, and repeat Steps 2-4.
6. Route the plug-in harness to the 3-port isolation module by running the harness along the existing cables underneath the engine and radiator area. Connect the plug-in harness to the module by matching harness connector B with module port B and harness connector C with module port C.
7. Connect the black 4-position connector from the middle of the vehicle control harness to the 4-position connector from the plug-in harness.
8. Cable tie the vehicle control harness, vehicle lighting harness, and plug-in harness away from any sharp, hot, or moving parts.
9. Skip ahead to Turn Signal Configuration Plug section.

RECOMMENDED SPLICING PROCEDURE

1. Locate the wire to be spliced into.
 2. Cut the wire at least 1-1/2" from any other splice, connector, or terminal. If wires are covered by tubing or braid, remove enough of it to achieve the minimum clearance required.
 3. Strip away 5/16" of the insulation from the ends of the wires to be spliced.
 4. Slide two wires into one end of the supplied parallel splice.
 5. Place a piece of heatshrink tubing (3/16" x 1-1/4") over the remaining wire to be spliced. Cut tubing into 1-1/4" lengths if required.
 6. Insert the wire into the open end of the splice and crimp using an appropriate crimp tool. One or two crimps may be necessary to ensure a good connection. No wire strands should be visible outside of the splice.
 7. Preheat a soldering tool for at least one minute to help promote even solder flow.
 8. Apply heat to the splice. Avoid heating too close to the insulation. Apply solder to the wires, using just enough solder to produce an even flow through the splice. Use rosin core solder ONLY. Do not use acid core solder.
- NOTE:** Avoid using an excessive amount of solder as it can result in wicking. Wicking occurs when solder travels up the wire core. This may cause the wire to become stiff or brittle which could lead to a broken or open circuit.

9. Check circuits for continuity.
 10. Cover the splice with heatshrink tubing. The tubing should extend beyond the splice on both sides.
 11. Using a hot air source, starting in the center and working to either side, apply heat until the tubing recovers and glue can be seen around the edges. Allow the tubing to cool before handling.
- NOTE:** The splices supplied will accommodate 18-gauge wires as shown. For larger-gauge wires, cut the wire, strip the ends 3/8" to 1/2" and twist together. Apply solder to the splice and cover with heatshrink tubing.



VEHICLE LIGHTING AND VEHICLE CONTROL HARNESS INSTALLATION

NOTE: For vehicles equipped with a tilt cab or tilt hood, a service loop will be necessary when making harness or cable transitions from the cab/hood to the frame. Check the cable installation for interference by raising and lowering the cab/hood a number of times. Add anti-chafing material (installer-supplied) as needed.

6. Push the braided harness breakout with the cab control connector through the fire wall hole into the cab. Use a grommet, existing plug cover, or proper chafing material to protect the harness where it passes through the fire wall. Route the harness to the selected control mounting location.
To mount the control, follow the instructions supplied with the control.
7. Locate an accessory wire controlled by the ignition switch. Acceptable accessory wires show +12V when the ignition switch is ON, and 0V when it is OFF.
8. Route the red "ACC" wire from the vehicle control harness to this location and trim away excess length.
9. Following the instructions in the Recommended Splicing Procedure section, splice the red "ACC" wire into the switched accessory wire using the supplied parallel splices and heatshrink tubing.

1. Route both harnesses around or through the radiator bulkhead to the isolation module.
2. Connect the vehicle lighting harness to position "A" on the 3-port isolation module.*
3. Route the end of the vehicle control harness with the white 4-pin connector to the fire wall.
4. Connect the black 4-position connector (labeled "BAT") from the end of the vehicle control harness to the 4-position connector from the vehicle battery cable. Do not cable tie the harness at this time.

CAUTION

Before installing self-drilling screws or drilling mounting holes, check the selected mounting area for any wires, hoses, or other obstructions.

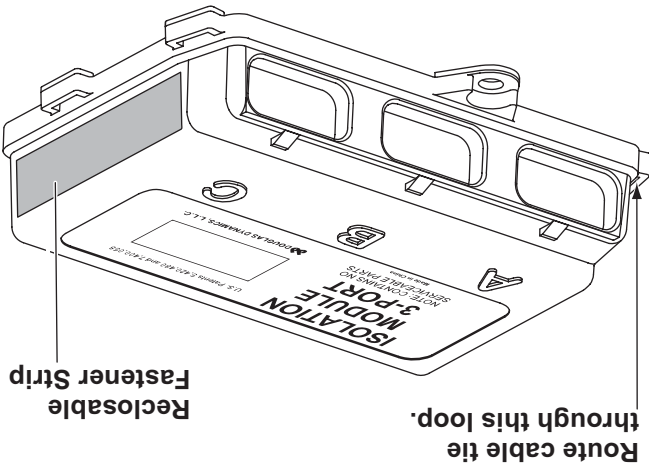
5. On the driver's side, locate an existing hole through the fire wall for the vehicle control harness. If access through the fire wall does not exist, drill a 5/8" hole through the fire wall of the vehicle in a convenient location away from sharp edges and hot or moving parts.

*For installations requiring an adapter, follow the instructions included with the adapter.

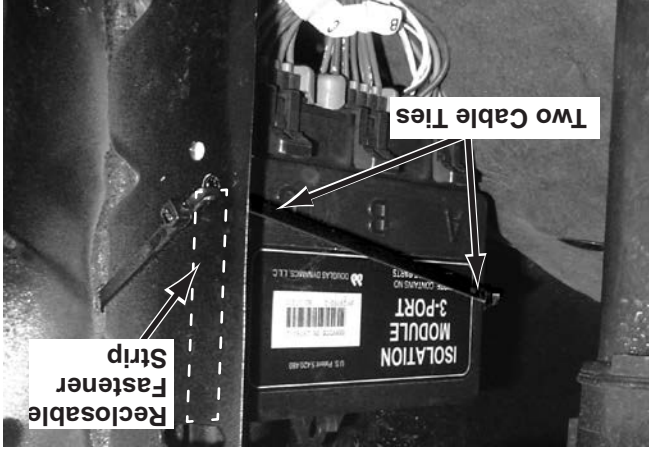
**INSTALLATION OF 3-PORT ISOLATION
MODULE PN 29760-1**

Due to the high temperature found in the engine compartments of some 2008 and later Ford Super Duty trucks, mounting the module behind the driver-side headlamp housing is required. Failure to do so may cause the isolation module to fail.

1. The module must be secured to the headlamp mounting bracket by installing reclosable fastener strips to the edge and wrapping cable ties around the module so that it can be secured to the rear of the headlamp mounting bracket.

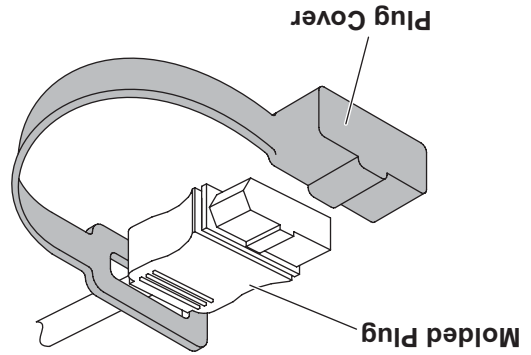


2. Be sure to position the module behind the headlamp alignment pinholes and maintain a small air gap behind the isolation module.



PLUG COVER INSTALLATION

Stretch the rectangular opening of the plug cover strap over the end of the vehicle battery cable. Place the plug cover over the molded plug when snowplow is not in use.



ISOLATION MODULE MOUNTING

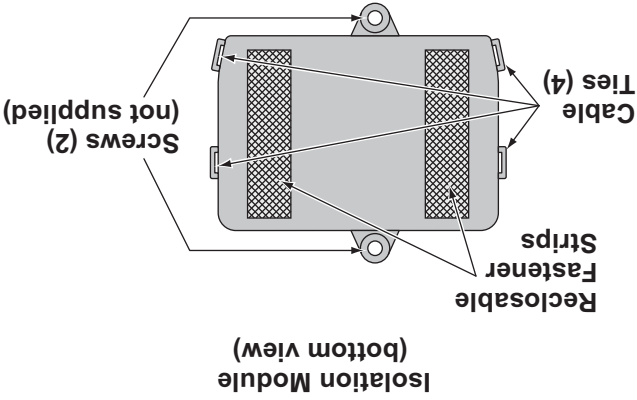
CAUTION

Before installing self-drilling screws or drilling mounting holes, check the selected mounting area for any wires, hoses, or other obstructions.

Isolation modules are sold separately. Check the online selection system for the correct module for your vehicle.

Locate a flat surface within the engine compartment of the vehicle for mounting the isolation module (on the driver's side, if possible). For example, the fire wall, fender well, or radiator shroud are possible mounting locations. If a flat surface cannot be located, cable tie the isolation module to existing brackets or harnessing.

Reclosable fastener strips and cable ties are supplied for mounting the isolation module, but self-drilling screws can also be used. When using the reclosable fastener strips, the mounting surface must be free of dirt and grease.



VEHICLE BATTERY CABLE INSTALLATION

▲ CAUTION

- Batteries normally produce explosive gases, which can cause personal injury. Therefore, do not allow flames, sparks, or lit tobacco to come near the battery. When charging or working near a battery, always cover your face and protect your eyes, and also provide ventilation.
- Batteries contain sulfuric acid, which burns skin, eyes, and clothing.
- Disconnect the battery before removing or replacing any electrical components.

NOTE: When instructed, make all snowplow battery cable connections to the auxiliary battery, if vehicle is so equipped.

NOTE: For vehicles equipped with a tilt cab or tilt hood, a service loop will be necessary when making harness or cable transitions from the cab/hood to the frame. Check the cable installation for interference by raising and lowering the cab/hood a number of times. Add anti-chafing material (installer-supplied) as needed.

1. Turn OFF the vehicle ignition.

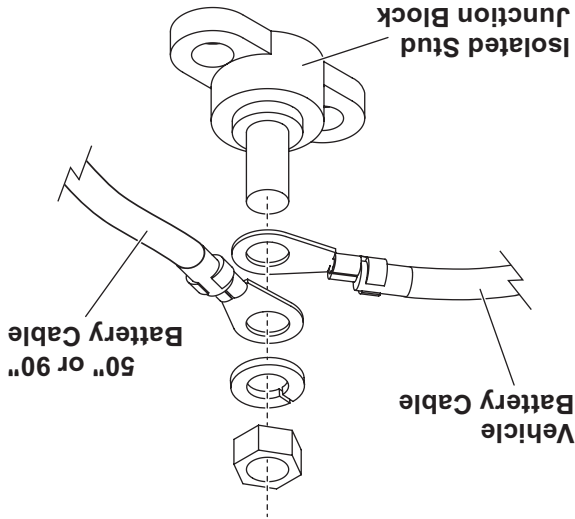
2. Disconnect both the NEGATIVE (-) and the POSITIVE (+) battery cables.

3. Route the supplied vehicle battery cable from the grille or bumper to the battery, avoiding any sharp edges and hot or moving parts. Cable tie only the end section closest to the grille. The vehicle battery cable may need to be lengthened on vehicles with batteries located under or behind the cab.

5. Route the black wire from the vehicle battery cable to the NEGATIVE (-) battery terminal. Do not connect at this time. On vehicles with the batteries located under or behind the cab, connect the black wire from the vehicle battery cable to the frame using an existing hole or ground bolt. Prior to attaching, clean away any paint or dirt to ensure a good ground connection. The 4-position connector from the vehicle battery cable will connect to the mating connector (labeled "BAT") on the end of the vehicle control harness.

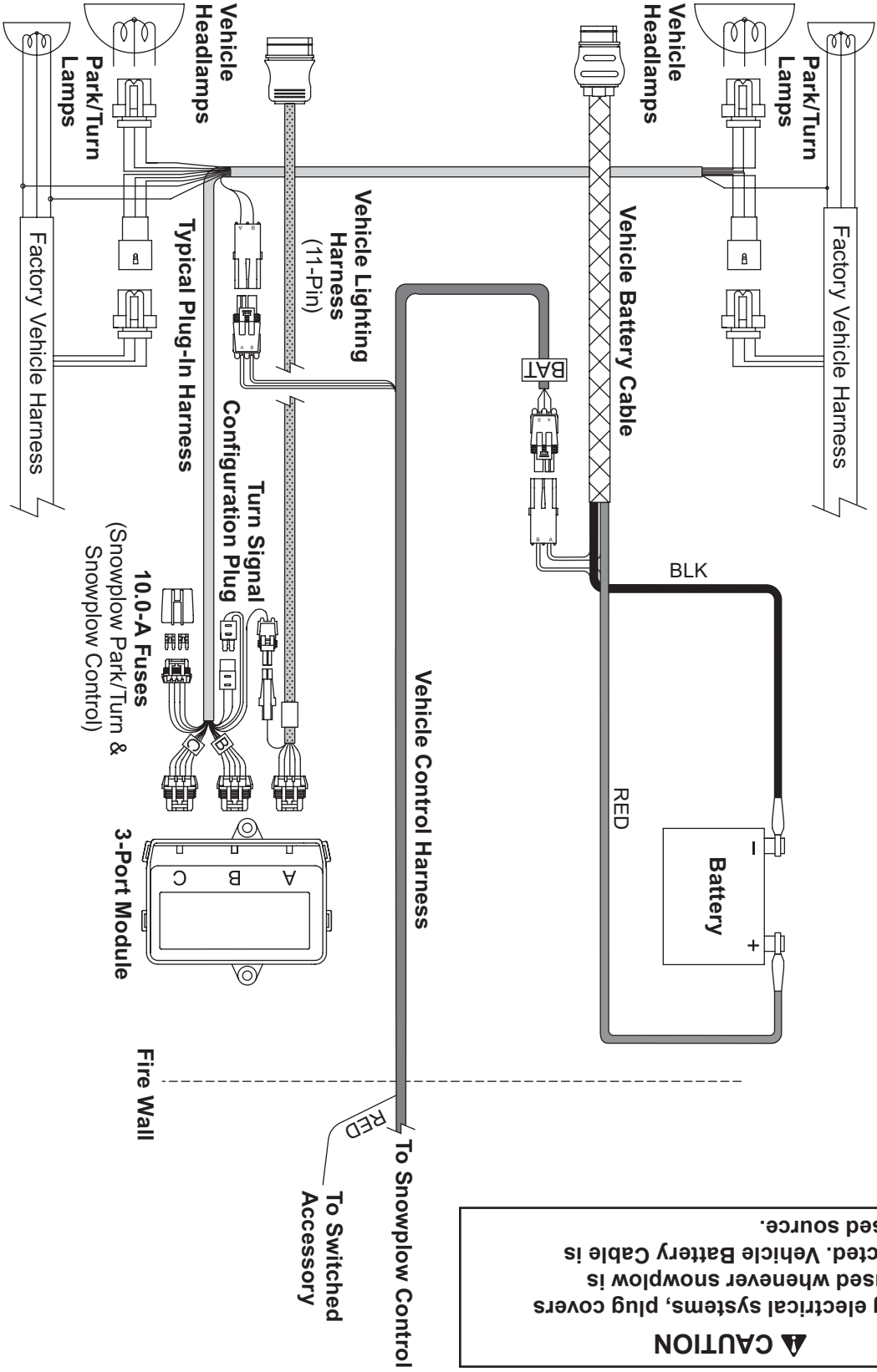
NOTE: Use dielectric grease on all electrical connections to prevent corrosion. Fill receptacles and lightly coat ring terminals and blades before assembly.

4. Route the red wire from the vehicle battery cable (or 50"/90" battery cable) to the POSITIVE (+) battery terminal. Do not connect at this time.



If lengthening cables is necessary, use the supplied isolated stud junction block. Mount the block to a flat surface within reach of the vehicle battery cable, and connect both the vehicle battery cable and the supplied 50" or 90" battery cable to the junction block.

TYPICAL 2-PLUG, 3-PORT MODULE SYSTEM DIAGRAM



SAFETY DEFINITIONS

▲ WARNING
 Indicates a potentially hazardous situation that, if not avoided, could result in death or serious personal injury.

▲ CAUTION
 Indicates a potentially hazardous situation that, if not avoided, may result in minor or moderate injury. It may also be used to alert against unsafe practices.

NOTE: Indicates a situation or action that can lead to damage to your snowplow and vehicle or other property. Other useful information can also be described.

FUSES

The snowplow electrical and hydraulic systems contain several blade-style automotive fuses. If a problem should occur and fuse replacement is necessary, the replacement fuse must be of the same type and amperage rating as the original. Installing a fuse with a higher rating can damage the system and could start a fire. Fuse Replacement, including fuse ratings and locations, is located in the Maintenance section of the Owner's Manual.

BATTERY SAFETY

▲ CAUTION
 Batteries normally produce explosive gases, which can cause personal injury. Therefore, do not allow flames, sparks, or lit tobacco to come near the battery. When charging or working near a battery, always cover your face and protect your eyes, and also provide ventilation.
 • Batteries contain sulfuric acid, which burns skin, eyes, and clothing.
 • Disconnect the battery before removing or replacing any electrical components.

TORQUE CHART

▲ CAUTION
 Read instructions before assembling. Fasteners should be finger tight until instructed to tighten according to the torque chart. Use standard methods and practices when attaching snowplow, including proper personal protective safety equipment.

Recommended Fastener Torque Chart			
Inch Fasteners Grade 5 and Grade 8			
Size	Torque (N·m)	Size	Torque (N·m)
1/4-20	11.4	9/16-12	148
1/4-28	13.1	9/16-18	164
5/16-18	23.6	5/8-11	203
5/16-24	26.0	5/8-18	230
3/8-16	41.8	3/4-10	365
3/8-24	47.5	3/4-16	403
7/16-14	67.0	7/8-9	582
7/16-20	74.8	7/8-14	643
1/2-13	102.1	1-8	873
1/2-20	115.2	1-12	954
Metric Fasteners Class 8.8 and 10.9			
Size	Torque (N·m)	Size	Torque (N·m)
M6 x 1.00	10.4	M20 x 2.50	441
M8 x 1.25	26.4	M22 x 2.50	580
M10 x 1.50	52.2	M24 x 3.00	762
M12 x 1.75	91	M27 x 3.00	1079
M14 x 2.00	145	M30 x 3.50	1515
M16 x 2.00	226	M33 x 3.50	1990
M18 x 2.50	301	M36 x 4.00	2647

These torque values apply to fasteners except those noted in the instructions.

See your sales outlet/website for specific vehicle application recommendations before installation. The online selection system has specific vehicle and snowplow requirements.

CAUTION 

Read this document before installing the snowplow.

CAUTION 

Installation Instructions

W/2-PLUG SYSTEM HARNESSES

29048, 29049, 29050, 29051, 29052, 29053, 29054, 29400-7 HARNESS KIT 3-PORT ISOLATION MODULE LIGHT SYSTEM