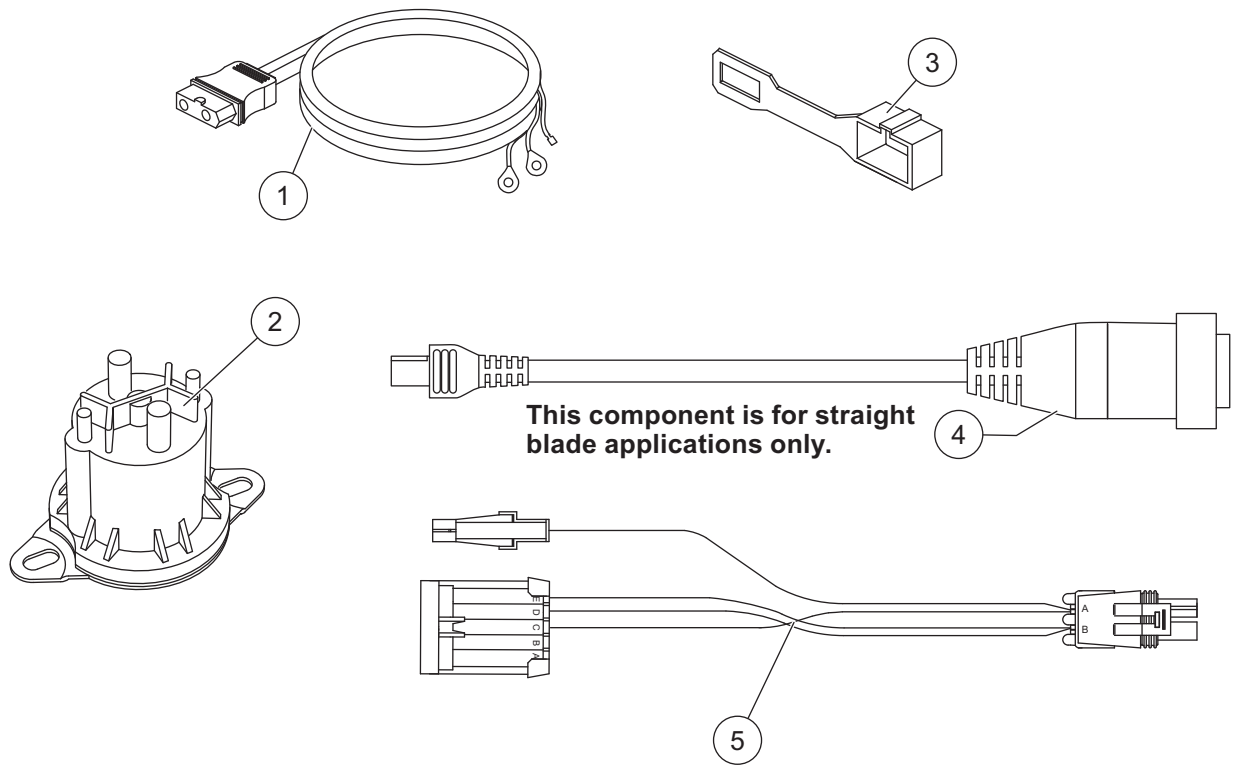




ON-TRUCK WIRING KIT

e-FORCE LIGHT SYSTEM

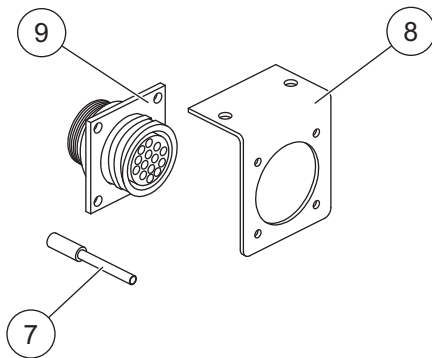
PARTS LIST



26705-2 On-Truck Electrical Kit						
Item	Part	Qty	Description	Item	Part	Qty Description
1	63411	1	Vehicle Battery Cable	–	56496	1 EZ-V Connector Bagged Assembly
2	5794K-1	1	Motor Relay	ns	26346	1 Vehicle Control Harness
3	8291K	1	Plug Cover	ns	22511	1 22" Battery Cable, Red
4	21792K	1	EZ-V® Adapter Cable Kit	ns	64280	1 Bolt Bag
5	29047	1	Adapter – 3-Port to 26345/26346 Vehicle Control Harness			

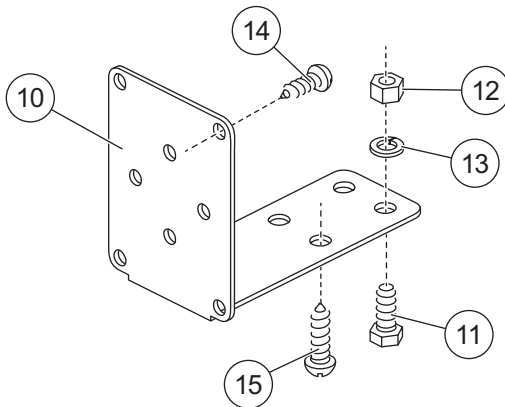
ns = not shown

**EZ-V® Connector
Bagged Assembly – 56496**



56496 EZ-V Connector Bagged Assembly			
Item	Part	Qty	Description
7	66767	1	Pin Removal Tool
8	66634	1	Vehicle Harness Bracket
9	56497	1	14-Pin Connector Housing
ns	91259	4	#6 External-Tooth Lock Washer
ns	93154	2	#8-18 x 5/8 Tapping Screw
ns		4	#6-32 x 1/4 Tapping Screw
ns = not shown			

Dash Bracket Bag – 7714



7714 Dash Bracket Bag			
Item	Part	Qty	Description
10	7718	1	Control Bracket
11	90461	2	1/4-20 x 3/4 Hex Cap Screw G5
12	91411	2	1/4-20 Hex Nut G5
13	91201	2	1/4 Spring Lock Washer
14	93154	2	#8-18 x 5/8 Tapping Screw
15	90659	4	#12-14 x 3/4 Tapping Screw
ns	20274	4	Dual-Lock Reclosable Fastener
ns = not shown		G = Grade	

64280 Bolt Bag

Part	Qty	Description	Part	Qty	Description
66130	2	Rubber Grommet	90311	2	1/4 Flat Washer Type A Wide
91331	2	1/4-20 Hex Locknut GB	91202	2	5/16 Spring Lock Washer
90461	2	1/4-20 x 3/4 Hex Cap Screw G5	91242	2	#10 Spring Lock Washer
91055	2	M6-1.00 x 25 Hex Cap Screw G8.8	91402	2	#10-32 Hex Machine Screw Nut
91056	2	M6-1.00 Hex Nut G10	92842	2	5/16-24 Hex Jam Nut G5
91057	2	M6 Regular Flat Washer			
G = Grade			M = Metric		

Copyright © 2018 Douglas Dynamics, LLC. All rights reserved. This material may not be reproduced or copied, in whole or in part, in any printed, mechanical, electronic, film, or other distribution and storage media, without the written consent of Fisher Engineering. Authorization to photocopy items for internal or personal use by Fisher Engineering outlets or snowplow owner is granted.

Fisher Engineering reserves the right under its product improvement policy to change construction or design details and furnish equipment when so altered without reference to illustrations or specifications used. Fisher Engineering or the vehicle manufacturer may require or recommend optional equipment for snow removal. Do not exceed vehicle ratings with a snowplow. Fisher Engineering offers a limited warranty for all snowplows and accessories. See separately printed page for this important information. The following are registered (®) trademarks of Douglas Dynamics, LLC: EZ-V®, FISHER®.

Printed in U.S.A.