



**FISHER® Snowplows
w/3-Port Isolation Module
Kit Selection Guide
2003 Model Year**

***Minute²*
Mount[®]
SYSTEM**

***Homesteader*[™]
PERSONAL PLOW BY FISHER®**

May 1, 2006
Lit. No. 29303
Rev. 00

Fisher Engineering
P.O. Box 529
Rockland, Maine 04841

This document supersedes all editions with an earlier date.

Table of Contents

General Information	3	Toyota Attachment Kits	27
Selection Example	4	Mitsubishi Attachment Kits	28
General Motors Attachment Kits	5	International Attachment Kits	31
Ford Attachment Kits	12	Headlamp Reference Guide	32
Dodge Attachment Kits	21	Snowplow Component Weights	33
Jeep Attachment Kits	25	Snowplow Weight Calculation	34
Mazda Attachment Kits	26	Ballast Inquiry Sheet	35

Abbreviation Key			
(2L)	Two-Lamp Light System	HYD	Hydraulic
(4L)	Four-Lamp Light System	KSG	Kit Selection Guide
2WD	Two Wheel Drive	LD	Light Duty
4WS	Four Wheel Steering (Option Code NYS)	M/C	Municipal / Commercial
ABS	Anti-Locking Braking System	MM2	Minute Mount® 2 System
AC	Air Conditioning	MS	Mild Steel
ALT	Alternator	OHC	Overhead Cam
AT	Automatic Transmission	PEC	Peculiar
Cg	Center of Gravity	RD	Regular Duty
D.I.	Direct Injection	SEHP	Solenoid Electric Hydraulic Pak
DRL	Daytime Running Lamps	SS	Stainless Steel
DRW	Dual Rear Wheel	SUV	Sport Utility Vehicle
FFV	Flex Fuel Vehicle	W/	With
FGAWR	Front Gross Axle Weight Rating	W/O	Without
GAWR	Gross Axle Weight Rating	W/WO	With or Without
GVWR	Gross Vehicle Weight Rating	WB	Wheelbase
HD	Heavy Duty	X	XBLADE™ Snowplow
HO	High Output	XV	XtremeV™ Snowplow

FISHER® Snowplows Kit Selection Guide – 2003 Model Year

⚠ WARNING

New untitled vehicle installation of a snowplow requires National Highway Traffic Safety Administration altered vehicle certification labeling. Installer to verify that selected snowplow and ballast, if required, do not exceed GVWR or GAWR rating label and complies with FMVSS.

⚠ WARNING

Do not exceed GVWR or GAWR, including blade and ballast. The rating label is found on the driver-side vehicle door cornerpost.

General Information

The *Kit Selection Guide (KSG)* is designed to help you determine the appropriate snowplow components for a particular snowplow vehicle application. The information published in this guide is based on Federal Motor Vehicle Safety Standards (FMVSS) and a "representative" snowplow vehicle as defined in this guide. The vehicle includes a combined weight of 300 lb for occupants in the front seat location.

This *KSG* is for specific model year vehicles only and is listed on the front cover of this guide. This guide should be saved for future reference. New kit selection guides will be published for the upcoming model year and so on. The instructions on page 4 explain how to use the *Kit Selection Guide*.

The "Representative Vehicle"

Knowing that today's snowplow vehicles come in a variety of sizes and configurations (such as wheel base, engine size, and handling packages), Fisher Engineering has defined a "representative vehicle" that contains the options most likely to appear on a typical snowplow application. The "representative vehicle" includes the following options:

- 4X4 Drivetrain (unless noted)
- Spare Tire & Wheel
- Automatic Transmission
- Rear Bumper
- Air Conditioning
- Full Fluids

NOTE: If the vehicle in question does not match a vehicle listing in the *Kit Selection Guide*, or has options that differ from the "Representative Vehicle" as defined earlier, the ballast inquiry sheet must be filled out and submitted in order to determine plow availability and correct ballast amounts to maintain FMVSS compliance. Completed vehicle at no time shall exceed GVWR or GAWR.

Snowplow Product

Snowplows are considered motor vehicle equipment. The installer is ultimately responsible for determining and correctly labeling the vehicle with the addition of snowplow selection. No product selected and installed shall render inoperative the vehicle's safety compliance.

Product Changes

All information is as accurate as we can determine but is subject to revision with additional or more

complete information. Fisher Engineering reserves the right under its product improvement policy to change construction or design details and furnish equipment when so altered without reference to illustrations or specifications used. Fisher Engineering or the vehicle manufacturer may require or recommend optional equipment for snow removal.

Ballast

When ballast is required it must be secured behind the rear wheels in a manner which prevents it from sliding during normal driving. Ballast shall not exceed 1000 lb.

Fisher Engineering offers an optional ballast retainer kit (62849) for this purpose.

NOTE: The Universal Attachment Kit is recommended for vehicles with a minimum of 5,000 pounds FGAWR only. Vehicles shall be rated between 14,000 and 27,500 GVWR for 9' MC and 10' MC snowplow installations. Snowplow and ballast or second unit bodies must comply with vehicle manufacturer's stated maximum gross vehicle weight (GVWR) and axle weight (GAWR) ratings. Vehicles must measure minimum of 22.5" from road to bottom of front frame for proper installation. Ballast Inquiry Sheet, if completed in full, can be faxed to (207) 596-2767 for assistance in snowplow and ballast recommendations. Weights for all snowplow products can be found in the current *Kit Selection Guide*. Snowplow headlamp kit must conform to vehicle lamp type.

Selection Example: Acme Motors 15000 VX with Minute Mount® 2 System

- Go to the section for the appropriate manufacturer.
- Go to the subsection for the desired snowplow type:
 - **Section 1:** Homesteader™, LD-Series & M-Series Snowplows
 - **Section 2:** XBLADE™ & MC-Series Snowplows
 - **Section 3:** EZ-V® & XtremeV™ Snowplows
- Start at the left-most column, find the **model** and appropriate configuration for the vehicle. In this case, 4X4, Regular Cab, 6.5 ft box, 5.3L V8 engine, 3925 Min. FGAWR.
- Locate the **peculiar light kit** for this vehicle: 29048. See Headlamp Reference Guide in the back of the *Kit Selection Guide* for more information.
- Locate the **peculiar attachment kit** for this vehicle: 1523 for Homesteader™ system or 7168 for Minute Mount® 2 system. Refer to any footnotes concerning conditions or requirements. For this example, the Minute Mount 2 system is selected and has two footnotes: 1 and 6.
- Locate the acceptable **blades** at the top of the table. Only those blades with ballast weights listed are valid applications. Three short dashes (---) indicate an invalid application. A question mark (?) indicates a ballast inquiry sheet must be completed.
- For this example, there are four acceptable blades. Choose the 8' HD M. This blade requires 600 lb of ballast.
- To order components for a complete snowplow package, read down from the top of the selected blade column to determine the part numbers. Be sure to select *one* Isolation Module, either DRL or Non-DRL, and *one* control, either joystick or hand-held. For this example, the part numbers would be:
 - 28000 (blade)
 - 27777 (common attachment / headgear kit)
 - 9840-2 (hydraulic kit)
 - 28800 (common light kit)
 - 29070 or 29060 (module)
 - 9400 or 8292 (control)
 - 29048 (peculiar light kit, from Step 4)
 - 7168 (peculiar attachment kit, from Step 5 – *must match blade*)

2003 Acme Motors

Section 1

Homesteader™, LD-Series & M-Series Snowplows

Model	Body Style	DRW	Box Option	Engine Type	Min FGAWR	Min RGAWR	Min GVWR	Peculiar Light Kit	Personal Plow system		Ballast Guidelines, lbs (1)	MM2 system		Ballast Guidelines, lbs (1)							
									Peculiar Att.Kit	Notes		Peculiar Att.Kit	Notes	6'-9" LD	7'-1/2' LD	7'-1/2' RD M	8' HD M	8-1/2' HD M	9' HD M		
15000 RS	4x4	Reg Cab	No	6.5 Box	4.3L V6	3925	3750	6400	1523	3,6,8	---	100	7168	6	---	300	450	550	600	---	
15000 TU	4x4	Reg Cab	No	6.5 Box	4.8L V8	3925	3750	6400	HB3/HB4 use 29048	1523	3,6,8	---	150	7168	6	---	350	500	650	650	---
15000 VX	4x4	Reg Cab	No	6.5 Box	5.3L V8	3925	3750	6400	HB3/HB4 use 29048	1523	3,6,8	---	100	7168	6	---	350	500	600	600	---

Homesteader™		Minute Mount® 2	
Blade Length	Blade Assembly	Blade Part Number	Blade Part Number
6'-8"	Personal	27547	27549
7'-4"	Personal	27547	27549
Common Attachment Kit / Headgear Kit		27550	
Hydraulic Kit		27517	
Common Light		8435	
Choose Module		DRLs: 29070, Non-DRLs: 29060	
Choose a Hand-Held Control or a Joystick Control		9400	
		8292	

Minute Mount® 2		8'	
Blade Length	Blade Assembly	Blade Part Number	Blade Part Number
6'-9" LD	LD	28069	27775
7'-1/2' LD	LD	27750	28000
7'-1/2' RD M	RD M	27500	28500
8' HD M	HD M	28000	28500
8-1/2' HD M	HD M	28500	29000
9' HD M	HD M	29000	---
Common Attachment Kit / Headgear Kit		27777	
Hydraulic Kit		9840-2	
Common Light		28800	
Choose Module		DRLs: 29070, Non-DRLs: 29060	
Choose a Hand-Held Control or a Joystick Control		9400	
		8292	

- Notes:**
- Ballast amounts are based on a "Representative Vehicle," defined in the vehicle selection guide instructions, and must be modified for all other configurations for axle and GVWR compliance.
 - Requires bumper notching.

- All New Style Only (2nd # in model # is 5 not 0) example: K15903. Refer to label in glove box for model number.
- These Snowplows Are For Personal/Homeowner Use Only.

2003 General Motors

Section 1

Homesteader™, LD-Series & M-Series Snowplows



Blade Length	6'-8"	7'-4"
Blade Assembly	Personal	Personal
Blade Part Number	27547	27549
Common Attachment Kit / Headgear Kit	27550	
Hydraulic Kit	27517	
Common Light	8435	
Choose Module	DRLs: 29070, Non-DRLs: 29060	
Choose a Hand-Held Control or a Joystick Control	9400	
	8292	



6'-9" LD	7'-1/2" LD	7'-1/2" RD M	8' HD M	8'-1/2" HD M	9' HD M
28069	27775	27500	28000	28500	29000
27750-1		27777			
9825-1		9840-2			
28800					
DRLs: 29070, Non-DRLs: 29060					
9400					
8292					

Model	Body Style	DRW	Box Option	Engine Type	Min F G A W R	Min R G A W R	Min G V W R	Peculiar Light Kit	Personal Plow system		Ballast Guidelines, lbs (1)	MM2 system		Ballast Guidelines, lbs (1)						
									Peculiar Att.Kit	Notes		Peculiar Att.Kit	Notes							
K2500 SILV/SIERRA	4x4	Ext Cab	No	6.5 Box	6.0L V8	4500	6000	8600	n/a	---	---	---	7169	6	---	---	400	500	500	500
K2500 SILV/SIERRA	4x4	Ext Cab	No	6.5 Box	6.0L V8	4410	6000	8600	n/a	---	---	---	7169	6	---	---	400	500	500	550
K2500HD SILV/SIERRA	4x4	Reg Cab	No	8.0 Box	6.0L V8	4800	6084	9200	n/a	---	---	---	7169	6	---	---	300	400	400	450
K2500HD SILV/SIERRA	4x4	Reg Cab	No	8.0 Box	6.0L V8	4500	6084	9200	n/a	---	---	---	7169	6	---	---	300	400	400	450
K2500HD SILV/SIERRA	4x4	Reg Cab	No	8.0 Box	6.6L D	4800	6084	9200	n/a	---	---	---	7169	6	---	---	500	600	600	700
K2500HD SILV/SIERRA	4x4	Reg Cab	No	8.0 Box	8.1L V8	4800	6084	9200	n/a	---	---	---	7169	6	---	---	400	500	500	550
K2500HD SILV/SIERRA	4x4	Reg Cab	No	8.0 Box	8.1L V8	4500	6084	9200	n/a	---	---	---	7169	6	---	---	450	950	---	---
K2500HD SILV/SIERRA	4x4	Ext Cab	No	6.5 Box	6.0L V8	4800	6084	9200	n/a	---	---	---	7169	6	---	---	400	500	500	500
K2500HD SILV/SIERRA	4x4	Ext Cab	No	6.5 Box	6.0L V8	4670	6084	9200	n/a	---	---	---	7169	6	---	---	400	500	500	500
K2500HD SILV/SIERRA	4x4	Ext Cab	No	6.5 Box	6.6L D	4800	6084	9200	n/a	---	---	---	7169	6	---	---	550	---	---	---
K2500HD SILV/SIERRA	4x4	Ext Cab	No	6.5 Box	6.6L D	4670	6084	9200	n/a	---	---	---	7169	6	---	---	1000	---	---	---
K2500HD SILV/SIERRA	4x4	Ext Cab	No	6.5 Box	8.1L V8	4800	6084	9200	n/a	---	---	---	7169	6	---	---	500	600	600	600
K2500HD SILV/SIERRA	4x4	Ext Cab	No	6.5 Box	8.1L V8	4670	6084	9200	n/a	---	---	---	7169	6	---	---	500	950	1000	---
K2500HD SILV/SIERRA	4x4	Ext Cab	No	8.0 Box	6.0L V8	4800	6084	9200	n/a	---	---	---	7169	6	---	---	300	400	400	450
K2500HD SILV/SIERRA	4x4	Ext Cab	No	8.0 Box	6.0L V8	4670	6084	9200	n/a	---	---	---	7169	6	---	---	300	400	400	450
K2500HD SILV/SIERRA	4x4	Ext Cab	No	8.0 Box	6.6L D	4800	6084	9200	n/a	---	---	---	7169	6	---	---	850	---	---	---
K2500HD SILV/SIERRA	4x4	Ext Cab	No	8.0 Box	8.1L V8	4800	6084	9200	n/a	---	---	---	7169	6	---	---	450	800	900	950
K2500HD SILV/SIERRA	4x4	Ext Cab	No	8.0 Box	8.1L V8	4670	6084	9200	n/a	---	---	---	7169	6	---	---	800	---	---	---
K2500HD SILV/SIERRA	4x4	Crew Cab	No	6.5 Box	6.0L V8	4800	6084	9200	n/a	---	---	---	7169	6	---	---	250	350	350	400
K2500HD SILV/SIERRA	4x4	Crew Cab	No	6.5 Box	6.0L V8	4670	6084	9200	n/a	---	---	---	7169	6	---	---	250	350	350	400
K2500HD SILV/SIERRA	4x4	Crew Cab	No	6.5 Box	8.1L V8	4800	6084	9200	n/a	---	---	---	7169	6	---	---	350	1000	---	---
K2500HD SILV/SIERRA	4x4	Crew Cab	No	6.5 Box	8.1L V8	4670	6084	9200	n/a	---	---	---	7169	6	---	---	950	---	---	---
K2500HD SILV/SIERRA	4x4	Crew Cab	No	8.0 Box	6.0L V8	4800	6084	9200	n/a	---	---	---	7169	6	---	---	250	350	400	400
K2500HD SILV/SIERRA	4x4	Crew Cab	No	8.0 Box	6.0L V8	4670	6084	9200	n/a	---	---	---	7169	6	---	---	250	350	400	400
K2500HD SILV/SIERRA	4x4	Crew Cab	No	8.0 Box	8.1L V8	4800	6084	9200	n/a	---	---	---	7169	6	---	---	450	1000	---	---
K2500HD SILV/SIERRA	4x4	Crew Cab	No	8.0 Box	8.1L V8	4670	6084	9200	n/a	---	---	---	7169	6	---	---	450	1000	---	---
K2500HD SILV/SIERRA	4x4	All	No	Chassis	All	All	All	8501	n/a	---	---	---	7169	6	---	---	?	?	?	?

- Notes:
- Ballast amounts are based on a "Representative Vehicle," defined in the vehicle selection guide instructions, and must be modified for all other configurations for axle and GVWR compliance.
 - All New Style Only (2nd # in model # is 5 not 0) example: K15903. Refer to label in glove box for model number.

2003 General Motors

Section 1

Homesteader™, LD-Series & M-Series Snowplows



Blade Length	6'-8"	7'-4"
Blade Assembly	Personal	Personal
Blade Part Number	27547	27549
Common Attachment Kit / Headgear Kit	27550	
Hydraulic Kit	27517	
Common Light	8435	
Choose Module	DRLs: 29070, Non-DRLs: 29060	
Choose a Hand-Held Control or a Joystick Control	9400	
	8292	



6'-9" LD	7'-1/2" LD	7'-1/2" RD M	8' HD M	8'-1/2" HD M	9' HD M
28069	27775	27500	28000	28500	29000
27750-1			27777		
9825-1			9840-2		
28800					
DRLs: 29070, Non-DRLs: 29060					
9400					
8292					

Model	Body Style	DRW	Box Option	Engine Type	Min F G A W R	Min R G A W R	Min G V W R	Peculiar Light Kit	Personal Plow system		Ballast Guidelines, lbs (1)	MM2 system		Ballast Guidelines, lbs (1)						
									Peculiar Att. Kit	Notes		Peculiar Att. Kit	Notes							
K3500 SILV/SIERRA	4x4	Reg Cab	Yes	8.0 Box	6.0L V8	4800	8550	11400	n/a	---	---	---	7169	6	---	---	---	---	200	200
K3500 SILV/SIERRA	4x4	Reg Cab	Yes	8.0 Box	6.0L V8	4500	8550	11400	n/a	---	---	---	7169	6	---	---	---	---	200	200
K3500 SILV/SIERRA	4x4	Reg Cab	Yes	8.0 Box	6.6L D	4800	8550	11400	n/a	---	---	---	7169	6	---	---	---	---	700	750
K3500 SILV/SIERRA	4x4	Reg Cab	Yes	8.0 Box	8.1L V8	4800	8550	11400	n/a	---	---	---	7169	6	---	---	---	---	350	350
K3500 SILV/SIERRA	4x4	Ext Cab	Yes	8.0 Box	6.0L V8	4800	8550	11400	n/a	---	---	---	7169	6	---	---	---	---	150	200
K3500 SILV/SIERRA	4x4	Ext Cab	Yes	8.0 Box	8.1L V8	4800	8550	11400	n/a	---	---	---	7169	6	---	---	---	---	500	600
K3500 SILV/SIERRA	4x4	Crew Cab	Yes	8.0 Box	6.0L V8	4800	8550	11400	n/a	---	---	---	7169	6	---	---	---	---	100	150
K3500 SILV/SIERRA	4x4	All	Yes	Chassis	All	All	All	8501	n/a	---	---	---	7169	6	---	---	---	---	?	?
K3600 SILV/SIERRA	4x4	All	Yes	Chassis	All	All	All	8501	n/a	---	---	---	7169	6	---	---	---	---	?	?
C3500 SILV/SIERRA	4x2	Ext Cab	Yes	8.0 Box	6.0L V8	4800	8550	11400	n/a	---	---	---	7169	6	---	---	---	---	50	100
C3500 SILV/SIERRA	4x2	Ext Cab	Yes	8.0 Box	6.0L V8	4670	8550	11400	n/a	---	---	---	7169	6	---	---	---	---	50	100
C3500 SILV/SIERRA	4x2	Ext Cab	Yes	8.0 Box	6.6L D	4800	8550	11400	n/a	---	---	---	7169	6	---	---	---	---	500	550
C3500 SILV/SIERRA	4x2	Ext Cab	Yes	8.0 Box	8.1L V8	4800	8550	11400	n/a	---	---	---	7169	6	---	---	---	---	250	250
C3500 SILV/SIERRA	4x2	Ext Cab	Yes	8.0 Box	8.1L V8	4670	8550	11400	n/a	---	---	---	7169	6	---	---	---	---	400	450
C3500 SILV/SIERRA	4x2	Crew Cab	Yes	8.0 Box	6.0L V8	4800	8550	11400	n/a	---	---	---	7169	6	---	---	---	---	0	50
C3500 SILV/SIERRA	4x2	Crew Cab	Yes	8.0 Box	6.0L V8	4670	8550	11400	n/a	---	---	---	7169	6	---	---	---	---	0	50
C3500 SILV/SIERRA	4x2	Crew Cab	Yes	8.0 Box	6.6L D	4800	8550	11400	n/a	---	---	---	7169	6	---	---	---	---	1000	---
C3500 SILV/SIERRA	4x2	Crew Cab	Yes	8.0 Box	8.1L V8	4800	8550	11400	n/a	---	---	---	7169	6	---	---	---	---	300	400
C3500 SILV/SIERRA	4x2	Crew Cab	Yes	8.0 Box	8.1L V8	4670	8550	11400	n/a	---	---	---	7169	6	---	---	---	---	850	950
C3500 SILV/SIERRA	4x2	All	Yes	Chassis	All	All	All	10001	n/a	---	---	---	7169	6	---	---	---	---	?	?
C3600 SILV/SIERRA	4x2	All	Yes	Chassis	All	All	All	10001	n/a	---	---	---	7169	6	---	---	---	---	?	?

- Notes:
- Ballast amounts are based on a "Representative Vehicle," defined in the vehicle selection guide instructions, and must be modified for all other configurations for axle and GVWR compliance.
 - All New Style Only (2nd # in model # is 5 not 0) example: K15903. Refer to label in glove box for model number.

2003 General Motors

Section 2 XBLADE™ & MC-Series Snowplows



Blade Length	7-1/2'	7-1/2'	8'	8'	8-1/2'	8-1/2'	9'	9'	9'	10'
Blade Assembly	X SS	X MS	X SS	X MS	X SS	X MS	X SS	X MS	MC	MC
Blade Part Number	27510	27512	28100	28200	28510	28520	29100	29200	29250	29350
Common Attachment Kit / Headgear Kit	28900	27777	28900	27777	28900	27777	28900	27777		29999
A-Frame Kit	n/a								28665	
Hydraulic Kit	9840-2								9835-1	
Common Light	28800									
Choose Module	DRLs: 29070, Non-DRLs: 29060									
Choose a Hand-Held Control or a Joystick Control	9400									
	8292									

Model	Body Style	DRW	Box Option	Engine Type	Min F G A W R	Min R G A W R	Min G V W R	Peculiar Light Kit	MM2 system		Ballast Guidelines, lbs (1)										
									Peculiar Att. Kit	Notes											
K1500HD SILV/SIERRA	4x4	Crew Cab	No	6.5 Box	6.0L V8	4500	6000	8600	HB3/HB4 use 29048	7169	6	600	600	650	650	700	700	700	700	---	---
K1500HD SILV/SIERRA	4x4	Crew Cab	No	6.5 Box	6.0L V8	4410	6000	8600		7169	6	600	600	650	650	700	700	700	700	---	---
K1500HD SILV/SIERRA w/4WS	4x4	Crew Cab	No	6.5 Box	6.0L V8	4500	6000	8600		7169	6	400	400	450	450	500	500	500	500	---	---
K1500HD SILV/SIERRA w/4WS	4x4	Crew Cab	No	6.5 Box	6.0L V8	4410	6000	8600		7169	6	400	400	450	450	500	500	500	500	---	---
K2500 SILV/SIERRA	4x4	Ext Cab	No	6.5 Box	6.0L V8	4500	6000	8600		7169	6	500	500	550	550	550	550	700	700	---	---
K2500 SILV/SIERRA	4x4	Ext Cab	No	6.5 Box	6.0L V8	4410	6000	8600		7169	6	500	500	800	800	950	950	---	---	---	---
K2500HD SILV/SIERRA	4x4	Reg Cab	No	8.0 Box	6.0L V8	4800	6084	9200		7169	6	400	400	450	450	500	500	500	500	---	---
K2500HD SILV/SIERRA	4x4	Reg Cab	No	8.0 Box	6.0L V8	4500	6084	9200		7169	6	400	400	450	450	500	500	500	500	---	---
K2500HD SILV/SIERRA	4x4	Reg Cab	No	8.0 Box	6.6L D	4800	6084	9200		7169	6	650	650	900	900	---	---	---	---	---	---
K2500HD SILV/SIERRA	4x4	Reg Cab	No	8.0 Box	8.1L V8	4800	6084	9200		7169	6	500	500	550	550	600	600	600	600	---	---
K2500HD SILV/SIERRA	4x4	Ext Cab	No	6.5 Box	6.0L V8	4800	6084	9200		7169	6	500	500	550	550	550	550	600	600	---	---
K2500HD SILV/SIERRA	4x4	Ext Cab	No	6.5 Box	6.0L V8	4670	6084	9200		7169	6	500	500	550	550	550	550	600	600	---	---
K2500HD SILV/SIERRA	4x4	Ext Cab	No	6.5 Box	8.1L V8	4800	6084	9200		7169	6	600	600	800	800	950	950	---	---	---	---
K2500HD SILV/SIERRA	4x4	Ext Cab	No	8.0 Box	6.0L V8	4800	6084	9200		7169	6	400	400	450	450	500	500	500	500	---	---
K2500HD SILV/SIERRA	4x4	Ext Cab	No	8.0 Box	6.0L V8	4670	6084	9200		7169	6	400	400	450	450	500	500	500	500	---	---
K2500HD SILV/SIERRA	4x4	Ext Cab	No	8.0 Box	8.1L V8	4800	6084	9200		7169	6	900	900	---	---	---	---	---	---	---	---
K2500HD SILV/SIERRA	4x4	Crew Cab	No	6.5 Box	6.0L V8	4800	6084	9200		7169	6	350	350	400	400	450	450	450	450	---	---
K2500HD SILV/SIERRA	4x4	Crew Cab	No	6.5 Box	6.0L V8	4670	6084	9200		7169	6	350	350	400	400	450	450	550	550	---	---
K2500HD SILV/SIERRA	4x4	Crew Cab	No	8.0 Box	6.0L V8	4800	6084	9200		7169	6	400	400	450	450	450	450	450	450	---	---
K2500HD SILV/SIERRA	4x4	Crew Cab	No	8.0 Box	6.0L V8	4670	6084	9200		7169	6	400	400	600	600	750	750	900	900	---	---
K2500HD SILV/SIERRA	4x4	All	No	Chassis	All	All	All	8501	7169	6	?	?	?	?	?	?	?	?	---	---	

- Notes:
- Ballast amounts are based on a "Representative Vehicle," defined in the vehicle selection guide instructions, and must be modified for all other configurations for axle and GVWR compliance.
 - All New Style Only (2nd # in model # is 5 not 0) example: K15903. Refer to label in glove box for model number.

2003 General Motors

Section 2 XBLADE™ & MC-Series Snowplows



Blade Length	7-1/2'	7-1/2'	8'	8'	8-1/2'	8-1/2'	9'	9'	9'	10'
Blade Assembly	X SS	X MS	X SS	X MS	X SS	X MS	X SS	X MS	MC	MC
Blade Part Number	27510	27512	28100	28200	28510	28520	29100	29200	29250	29350
Common Attachment Kit / Headgear Kit	28900	27777	28900	27777	28900	27777	28900	27777	29999	
A-Frame Kit	n/a								28665	
Hydraulic Kit	9840-2								9835-1	
Common Light	28800									
Choose Module	DRLs: 29070, Non-DRLs: 29060									
Choose a Hand-Held Control or a Joystick Control	9400									
	8292									

Model	Body Style	DRW	Box Option	Engine Type	Min F G A W R	Min R G A W R	Min G V W R	Peculiar Light Kit	MM2 system		Ballast Guidelines, lbs (1)											
									Peculiar Att.Kit	Notes												
K3500 SILV/SIERRA	4x4	Reg Cab	Yes	8.0 Box	6.0L V8	4800	8550	11400	HB3/HB4 use 29048	7169	6	---	---	---	---	300	300	300	300	---	---	
K3500 SILV/SIERRA	4x4	Reg Cab	Yes	8.0 Box	6.0L V8	4500	8550	11400		7169	6	---	---	---	---	---	300	300	350	350	---	---
K3500 SILV/SIERRA	4x4	Reg Cab	Yes	8.0 Box	8.1L V8	4800	8550	11400		7169	6	---	---	---	---	---	550	550	700	700	---	---
K3500 SILV/SIERRA	4x4	Ext Cab	Yes	8.0 Box	6.0L V8	4800	8550	11400		7169	6	---	---	---	---	---	250	250	250	250	---	---
K3500 SILV/SIERRA	4x4	Ext Cab	Yes	8.0 Box	8.1L V8	4800	8550	11400		7169	6	---	---	---	---	---	950	950	---	---	---	---
K3500 SILV/SIERRA	4x4	Crew Cab	Yes	8.0 Box	6.0L V8	4800	8550	11400		7169	6	---	---	---	---	---	350	350	500	500	---	---
K3500 SILV/SIERRA	4x4	All	Yes	Chassis	All	All	All	8501		7169	6	---	---	---	---	---	?	?	?	?	---	---
K3600 SILV/SIERRA	4x4	All	Yes	Chassis	All	All	All	8501		7169	6	---	---	---	---	---	?	?	?	?	---	---
C3500 SILV/SIERRA	4x2	Ext Cab	Yes	8.0 Box	6.0L V8	4800	8550	11400		7169	6	---	---	---	---	---	150	150	150	150	---	---
C3500 SILV/SIERRA	4x2	Ext Cab	Yes	8.0 Box	6.0L V8	4670	8550	11400		7169	6	---	---	---	---	---	150	150	150	150	---	---
C3500 SILV/SIERRA	4x2	Ext Cab	Yes	8.0 Box	6.6L D	4800	8550	11400		7169	6	---	---	---	---	---	950	950	---	---	---	---
C3500 SILV/SIERRA	4x2	Ext Cab	Yes	8.0 Box	8.1L V8	4800	8550	11400		7169	6	---	---	---	---	---	300	300	450	450	---	---
C3500 SILV/SIERRA	4x2	Ext Cab	Yes	8.0 Box	8.1L V8	4670	8550	11400		7169	6	---	---	---	---	---	850	850	1000	1000	---	---
C3500 SILV/SIERRA	4x2	Crew Cab	Yes	8.0 Box	6.0L V8	4800	8550	11400		7169	6	---	---	---	---	---	100	100	100	100	---	---
C3500 SILV/SIERRA	4x2	Crew Cab	Yes	8.0 Box	6.0L V8	4670	8550	11400		7169	6	---	---	---	---	---	100	100	100	100	---	---
C3500 SILV/SIERRA	4x2	Crew Cab	Yes	8.0 Box	8.1L V8	4800	8550	11400		7169	6	---	---	---	---	---	800	800	900	900	---	---
C3500 SILV/SIERRA	4x2	All	Yes	Chassis	All	All	All	10001		7169	6	---	---	---	---	---	?	?	?	?	---	---
C3600 SILV/SIERRA	4x2	All	Yes	Chassis	All	All	All	10001		7169	6	---	---	---	---	---	?	?	?	?	---	---
C4500	4x2	All	Yes	Chassis	All	All	All	10001	2B use 29053 or 1A/2A use 29053	7171	2,41	---	---	---	---	?	?	?	?	?	---	
C5500	4x2	All	Yes	Chassis	All	All	All	10001		7171	2,41	---	---	---	---	---	?	?	?	?	?	---

- Notes:
- Ballast amounts are based on a "Representative Vehicle," defined in the vehicle selection guide instructions, and must be modified for all other configurations for axle and GVWR compliance.
 - Recommended snowplow prep package whenever available.

- All New Style Only (2nd # in model # is 5 not 0) example: K15903. Refer to label in glove box for model number.
- 4X2.

2003 General Motors

Section 3

EZ-V® & XtremeV™ Snowplows



Blade Length	7-1/2'	7-1/2'	8-1/2'	8-1/2'	9-1/2'	9-1/2'	8-1/2'	9-1/2'
Blade Assembly	XV SS	XV MS	XV SS	XV MS	XV SS	XV MS	EZ-V®	EZ-V®
Blade Part Number	44775	44675	44785	44685	44795	44695	28885	28895
Common Attachment Kit / Headgear Kit	44650	44600	44650	44600	44650	44600	28888	
Hydraulic Kit	n/a						9828-4	
Common Light	n/a						28800	
Choose Module	DRLs: 29070, Non-DRLs: 29060							
Choose a Hand-Held Control	29600						9800	
or a Joystick Control	29700						9900	

Model	Body Style	DRW	Box Option	Engine Type	Min F G A W R	Min R G A W R	Min G V W R	Peculiar Light Kit	MM2 system		Ballast Guidelines, lbs (1)															
									Peculiar Att.Kit	Notes																
K1500 SILV/SIERRA	4x4	Reg Cab	No	6.5 Box	4.3L V6	3925	3750	6400	HB3/HB4 use 29048	7168	6	600	600	---	---	---	---	---	---	---	---	---	---	---	---	
K1500 SILV/SIERRA	4x4	Reg Cab	No	6.5 Box	4.8L V8	3925	3750	6400		7168	6	750	750	---	---	---	---	---	---	---	---	---	---	---	---	---
K1500 SILV/SIERRA	4x4	Reg Cab	No	6.5 Box	5.3L V8	3925	3750	6400		7168	6	750	750	---	---	---	---	---	---	---	---	---	---	---	---	---
K1500 SILV/SIERRA	4x4	Reg Cab	No	8.0 Box	4.3L V6	3925	3750	6400		7168	6	600	600	---	---	---	---	---	---	---	---	---	---	---	---	---
K1500HD SILV/SIERRA	4x4	Crew Cab	No	6.5 Box	6.0L V8	4500	6000	8600		7169	6	650	650	700	700	800	800	600	600	---	---	---	---	---	---	---
K1500HD SILV/SIERRA	4x4	Crew Cab	No	6.5 Box	6.0L V8	4410	6000	8600		7169	6	650	650	700	700	900	900	600	600	---	---	---	---	---	---	---
K1500HD SILV/SIERRA w/4WS	4x4	Crew Cab	No	6.5 Box	6.0L V8	4500	6000	8600		7169	6	450	450	500	500	600	600	400	400	---	---	---	---	---	---	---
K1500HD SILV/SIERRA w/4WS	4x4	Crew Cab	No	6.5 Box	6.0L V8	4410	6000	8600		7169	6	450	450	500	500	950	950	400	400	---	---	---	---	---	---	---
K2500 SILV/SIERRA	4x4	Ext Cab	No	6.5 Box	6.0L V8	4500	6000	8600		7169	6	500	500	750	750	---	---	500	650	---	---	---	---	---	---	---
K2500 SILV/SIERRA	4x4	Ext Cab	No	6.5 Box	6.0L V8	4410	6000	8600		7169	6	800	800	---	---	---	---	650	---	---	---	---	---	---	---	---
K2500HD SILV/SIERRA	4x4	Reg Cab	No	8.0 Box	6.0L V8	4800	6084	9200		7169	6	450	450	500	500	600	600	400	450	---	---	---	---	---	---	---
K2500HD SILV/SIERRA	4x4	Reg Cab	No	8.0 Box	6.0L V8	4500	6084	9200		7169	6	450	450	500	500	850	850	400	450	---	---	---	---	---	---	---
K2500HD SILV/SIERRA	4x4	Reg Cab	No	8.0 Box	6.6L D	4800	6084	9200		7169	6	900	900	---	---	---	---	800	---	---	---	---	---	---	---	---
K2500HD SILV/SIERRA	4x4	Reg Cab	No	8.0 Box	8.1L V8	4800	6084	9200		7169	6	550	550	600	600	---	---	500	550	---	---	---	---	---	---	---
K2500HD SILV/SIERRA	4x4	Ext Cab	No	6.5 Box	6.0L V8	4800	6084	9200		7169	6	550	550	550	550	700	700	500	550	---	---	---	---	---	---	---
K2500HD SILV/SIERRA	4x4	Ext Cab	No	6.5 Box	6.0L V8	4670	6084	9200		7169	6	550	550	550	550	750	750	500	550	---	---	---	---	---	---	---
K2500HD SILV/SIERRA	4x4	Ext Cab	No	6.5 Box	8.1L V8	4800	6084	9200		7169	6	800	800	---	---	---	---	700	---	---	---	---	---	---	---	---
K2500HD SILV/SIERRA	4x4	Ext Cab	No	8.0 Box	6.0L V8	4800	6084	9200		7169	6	450	450	500	500	600	600	450	500	---	---	---	---	---	---	---
K2500HD SILV/SIERRA	4x4	Ext Cab	No	8.0 Box	6.0L V8	4670	6084	9200		7169	6	450	450	500	500	---	---	450	500	---	---	---	---	---	---	---
K2500HD SILV/SIERRA	4x4	Crew Cab	No	6.5 Box	6.0L V8	4800	6084	9200		7169	6	400	400	450	450	800	800	400	450	---	---	---	---	---	---	---
K2500HD SILV/SIERRA	4x4	Crew Cab	No	6.5 Box	6.0L V8	4670	6084	9200		7169	6	400	400	600	600	---	---	400	500	---	---	---	---	---	---	---
K2500HD SILV/SIERRA	4x4	Crew Cab	No	8.0 Box	6.0L V8	4800	6084	9200		7169	6	400	400	450	450	---	---	400	450	---	---	---	---	---	---	---
K2500HD SILV/SIERRA	4x4	Crew Cab	No	8.0 Box	6.0L V8	4670	6084	9200		7169	6	600	600	950	950	---	---	500	850	---	---	---	---	---	---	---
K2500HD SILV/SIERRA	4x4	All	No	Chassis	All	All	All	8501		7169	6	?	?	?	?	?	?	?	?	---	---	---	---	---	---	---

Notes:
 1. Ballast amounts are based on a "Representative Vehicle," defined in the vehicle selection guide instructions, and must be modified for all other configurations for axle and GVWR compliance.
 6. All New Style Only (2nd # in model # is 5 not 0) example: K15903. Refer to label in glove box for model number.

2003 General Motors

Section 3

EZ-V® & XtremeV™ Snowplows



Blade Length	7-1/2'	7-1/2'	8-1/2'	8-1/2'	9-1/2'	9-1/2'	8-1/2'	9-1/2'
Blade Assembly	XV SS	XV MS	XV SS	XV MS	XV SS	XV MS	EZ-V®	EZ-V®
Blade Part Number	44775	44675	44785	44685	44795	44695	28885	28895
Common Attachment Kit / Headgear Kit	44650	44600	44650	44600	44650	44600	28888	
Hydraulic Kit	n/a						9828-4	
Common Light	n/a						28800	
Choose Module	DRLs: 29070, Non-DRLs: 29060							
Choose a Hand-Held Control or a Joystick Control	29600						9800	
	29700						9900	

Model	Body Style	DRW	Box Option	Engine Type	Min F G A W R	Min R G A W R	Min G V W R	Peculiar Light Kit	MM2 system		Ballast Guidelines, lbs (1)								
									Peculiar Att.Kit	Notes									
K3500 SILV/SIERRA	4x4	Reg Cab	Yes	8.0 Box	6.0L V8	4800	8550	11400	HB3/HB4 use 29048	7169	6	---	---	300	300	400	400	200	250
K3500 SILV/SIERRA	4x4	Reg Cab	Yes	8.0 Box	6.0L V8	4500	8550	11400		7169	6	---	---	350	350	1000	1000	200	300
K3500 SILV/SIERRA	4x4	Reg Cab	Yes	8.0 Box	6.6L D	4800	8550	11400		7169	6	---	---	---	---	---	---	850	---
K3500 SILV/SIERRA	4x4	Reg Cab	Yes	8.0 Box	8.1L V8	4800	8550	11400		7169	6	---	---	700	700	---	---	350	600
K3500 SILV/SIERRA	4x4	Ext Cab	Yes	8.0 Box	6.0L V8	4800	8550	11400		7169	6	---	---	250	250	650	650	150	200
K3500 SILV/SIERRA	4x4	Ext Cab	Yes	8.0 Box	8.1L V8	4800	8550	11400		7169	6	---	---	---	---	---	---	700	---
K3500 SILV/SIERRA	4x4	Crew Cab	Yes	8.0 Box	6.0L V8	4800	8550	11400		7169	6	---	---	550	550	---	---	150	450
K3500 SILV/SIERRA	4x4	All	Yes	Chassis	All	All	All	8501		7169	6	---	---	?	?	?	?	?	?
K3600 SILV/SIERRA	4x4	All	Yes	Chassis	All	All	All	8501		7169	6	---	---	?	?	?	?	?	?
C3500 SILV/SIERRA	4x2	Ext Cab	Yes	8.0 Box	6.0L V8	4800	8550	11400		7169	6	---	---	150	150	250	250	50	---
C3500 SILV/SIERRA	4x2	Ext Cab	Yes	8.0 Box	6.0L V8	4670	8550	11400		7169	6	---	---	150	150	250	250	50	---
C3500 SILV/SIERRA	4x2	Ext Cab	Yes	8.0 Box	6.6L D	4800	8550	11400		7169	6	---	---	---	---	---	---	700	---
C3500 SILV/SIERRA	4x2	Ext Cab	Yes	8.0 Box	8.1L V8	4800	8550	11400		7169	6	---	---	500	500	---	---	250	---
C3500 SILV/SIERRA	4x2	Ext Cab	Yes	8.0 Box	8.1L V8	4670	8550	11400		7169	6	---	---	1000	1000	---	---	600	---
C3500 SILV/SIERRA	4x2	Crew Cab	Yes	8.0 Box	6.0L V8	4800	8550	11400		7169	6	---	---	100	100	200	200	0	---
C3500 SILV/SIERRA	4x2	Crew Cab	Yes	8.0 Box	6.0L V8	4670	8550	11400		7169	6	---	---	100	100	600	600	0	---
C3500 SILV/SIERRA	4x2	Crew Cab	Yes	8.0 Box	8.1L V8	4800	8550	11400		7169	6	---	---	950	950	---	---	550	---
C3500 SILV/SIERRA	4x2	All	Yes	Chassis	All	All	All	10001		7169	6	---	---	?	?	?	?	?	---
C3600 SILV/SIERRA	4x2	All	Yes	Chassis	All	All	All	10001		7169	6	---	---	?	?	?	?	?	---
C4500	4x2	All	Yes	Chassis	All	All	All	10001		2B use 29053 or 1A/2A use 29053	7171	2,41	---	---	?	?	?	?	---
C5500	4x2	All	Yes	Chassis	All	All	All	10001	7171		2,41	---	---	?	?	?	?	---	?

- Notes:
- Ballast amounts are based on a "Representative Vehicle," defined in the vehicle selection guide instructions, and must be modified for all other configurations for axle and GVWR compliance.
 - Recommended snowplow prep package whenever available.

- All New Style Only (2nd # in model # is 5 not 0) example: K15903. Refer to label in glove box for model number.
- 4X2.

2003 Ford

Section 1

Homesteader™, LD-Series & M-Series Snowplows



Blade Length	6'-8"	7'-4"
Blade Assembly	Personal	Personal
Blade Part Number	27547	27549
Common Attachment Kit / Headgear Kit	27550	
Hydraulic Kit	27517	
Common Light	8435	
Choose Module	DRLs: 29070, Non-DRLs: 29060	
Choose a Hand-Held Control or a Joystick Control	9400	
	8292	



6'-9" LD	7'-1/2" LD	7'-1/2" RD M	8' HD M	8'-1/2" HD M	9' HD M
28069	27775	27500	28000	28500	29000
27750-1			27777		
9825-1		9840-2			
28800					
DRLs: 29070, Non-DRLs: 29060					
9400					
8292					

Model	Body Style	DRW	Box Option	Engine Type	Min F G A W R	Min R G A W R	Min G V W R	Peculiar Light Kit	Personal Plow system		Ballast Guidelines, lbs (1)		MM2 system		Ballast Guidelines, lbs (1)							
									Peculiar Att.Kit	Notes	Peculiar Att.Kit	Notes	Peculiar Att.Kit	Notes								
RANGER	4x4	Super Cab	No	6.0 Box	4.0L V6	2710	2750	5440	1203	8,10	650	750	n/a	---	---	---	---	---	---	---	---	---
RANGER	4x4	Super Cab	No	6.0 Box	4.0L V6	2710	2750	5300	1203	8,10	650	750	n/a	---	---	---	---	---	---	---	---	---
RANGER	4x4	Super Cab	No	6.0 Box	4.0L V6	2710	2750	5160	1203	8,10	650	750	n/a	---	---	---	---	---	---	---	---	---
RANGER	4x4	Super Cab	No	6.0 Box	4.0L V6	2710	2750	5120	1203	8,10	650	---	n/a	---	---	---	---	---	---	---	---	---
F150	4x4	Reg Cab	No	6.5 Box	4.2L V6	3600	3550	6300	1223	8	---	0	7150	---	---	200	500	---	---	---	---	---
F150	4x4	Reg Cab	No	6.5 Box	4.2L V6	3600	3550	6250	1223	8	---	0	7150	---	---	200	500	---	---	---	---	---
F150	4x4	Reg Cab	No	6.5 Box	4.2L V6	3400	3550	6300	1223	8	---	0	7150	---	---	450	---	---	---	---	---	---
F150	4x4	Reg Cab	No	6.5 Box	4.2L V6	3400	3550	6250	1223	8	---	0	7150	---	---	450	---	---	---	---	---	---
F150	4x4	Reg Cab	No	6.5 Box	4.2L V6	3400	3550	6050	1223	8	---	0	7150	---	---	450	---	---	---	---	---	---
F150	4x4	Reg Cab	No	6.5 Box	4.2L V6	3200	3550	6300	1223	8	---	0	7150	---	---	---	---	---	---	---	---	---
F150	4x4	Reg Cab	No	6.5 Box	4.2L V6	3200	3550	6250	1223	8	---	0	7150	---	---	---	---	---	---	---	---	---
F150	4x4	Reg Cab	No	6.5 Box	4.2L V6	3200	3550	6050	1223	8	---	0	7150	---	---	---	---	---	---	---	---	---
F150	4x4	Reg Cab	No	6.5 Box	4.6L V8	3600	3550	6300	1223	8	---	50	7150	---	---	250	---	---	---	---	---	---
F150	4x4	Reg Cab	No	6.5 Box	4.6L V8	3600	3550	6250	1223	8	---	50	7150	---	---	250	---	---	---	---	---	---
F150	4x4	Reg Cab	No	6.5 Box	4.6L V8	3400	3550	6300	1223	8	---	50	7150	---	---	700	---	---	---	---	---	---
F150	4x4	Reg Cab	No	6.5 Box	4.6L V8	3400	3550	6250	1223	8	---	50	7150	---	---	700	---	---	---	---	---	---
F150	4x4	Reg Cab	No	6.5 Box	4.6L V8	3400	3550	6050	1223	8	---	50	7150	---	---	---	---	---	---	---	---	---
F150	4x4	Reg Cab	No	6.5 Box	4.6L V8	3200	3550	6300	1223	8	---	150	7150	---	---	---	---	---	---	---	---	---
F150	4x4	Reg Cab	No	6.5 Box	4.6L V8	3200	3550	6250	1223	8	---	150	7150	---	---	---	---	---	---	---	---	---
F150	4x4	Reg Cab	No	6.5 Box	4.6L V8	3200	3550	6050	1223	8	---	150	7150	---	---	---	---	---	---	---	---	---
F150	4x4	Reg Cab	No	6.5 Box	5.4L V8	3600	3550	6300	1223	8	---	50	7150	---	---	250	---	---	---	---	---	---
F150	4x4	Reg Cab	No	6.5 Box	5.4L V8	3600	3550	6250	1223	8	---	50	7150	---	---	250	---	---	---	---	---	---
F150	4x4	Reg Cab	No	6.5 Box	5.4L V8	3400	3550	6300	1223	8	---	50	7150	---	---	---	---	---	---	---	---	---
F150	4x4	Reg Cab	No	6.5 Box	5.4L V8	3400	3550	6250	1223	8	---	50	7150	---	---	---	---	---	---	---	---	---
F150	4x4	Reg Cab	No	6.5 Box	5.4L V8	3400	3550	6050	1223	8	---	50	7150	---	---	---	---	---	---	---	---	---
F150	4x4	Reg Cab	No	6.5 Box	5.4L V8	3200	3550	6300	1223	8	---	350	7150	---	---	---	---	---	---	---	---	---
F150	4x4	Reg Cab	No	6.5 Box	5.4L V8	3200	3550	6250	1223	8	---	350	7150	---	---	---	---	---	---	---	---	---
F150	4x4	Reg Cab	No	6.5 Box	5.4L V8	3200	3550	6050	1223	8	---	350	7150	---	---	---	---	---	---	---	---	---
F150	4x4	Reg Cab	No	8.0 Box	4.2L V6	3600	3550	6050	1223	8	---	50	7150	---	---	250	---	---	---	---	---	---
F150	4x4	Reg Cab	No	8.0 Box	4.2L V6	3400	3550	6050	1223	8	---	50	7150	---	---	---	---	---	---	---	---	---
F150	4x4	Reg Cab	No	8.0 Box	4.6L V8	3600	3550	6250	1223	8	---	100	7150	---	---	350	---	---	---	---	---	---
F150	4x4	Reg Cab	No	8.0 Box	4.6L V8	3400	3550	6250	1223	8	---	100	7150	---	---	---	---	---	---	---	---	---
F150	4x4	Reg Cab	No	8.0 Box	5.4L V8	4150	4800	7700	1223	8	---	0	7150	22	---	250	350	450	500	---	---	---
F150	4x4	Reg Cab	No	8.0 Box	5.4L V8	3600	3550	6300	1223	8	---	50	7150	---	---	550	---	---	---	---	---	---

Notes:
 1. Ballast amounts are based on a "Representative Vehicle," defined in the vehicle selection guide instructions, and must be modified for all other configurations for axle and GVWR compliance.
 8. These Snowplows Are For Personal/Homeowner Use Only.

10. May require bumper or air dam notching.
 22. Requires 7700 Payload Group (option 627).

2003 Ford

Section 1

Homesteader™, LD-Series & M-Series Snowplows



Blade Length	6'-8"	7'-4"
Blade Assembly	Personal	Personal
Blade Part Number	27547	27549
Common Attachment Kit / Headgear Kit	27550	
Hydraulic Kit	27517	
Common Light	8435	
Choose Module	DRLs: 29070, Non-DRLs: 29060	
Choose a Hand-Held Control or a Joystick Control	9400	
	8292	



6'-9" LD	7'-1/2" LD	7'-1/2" RD M	8' HD M	8'-1/2" HD M	9' HD M
28069	27775	27500	28000	28500	29000
27750-1			27777		
9825-1		9840-2			
28800					
DRLs: 29070, Non-DRLs: 29060					
9400					
8292					

Model	Body Style	DRW	Box Option	Engine Type	Min F G A W R	Min R G A W R	Min G V W R	Peculiar Light Kit	Personal Plow system		Ballast Guidelines, lbs (1)	MM2 system		Ballast Guidelines, lbs (1)						
									Peculiar Att.Kit	Notes		Peculiar Att.Kit	Notes							
F150	4x4	Super Cab	No	6.5 Box	4.6L V8	3600	3550	6250	1223	8	---	0	7150	---	---	500	---	---	---	---
F150	4x4	Super Cab	No	6.5 Box	4.6L V8	3400	3550	6250	1223	8	---	0	7150	---	---	---	---	---	---	---
F150	4x4	Super Cab	No	6.5 Box	5.4L V8	4150	4800	7700	1223	8	---	0	7150	22	---	200	300	400	450	---
F150	4x4	Super Cab	No	6.5 Box	5.4L V8	3600	3550	6500	1223	8	---	0	7150	---	---	700	---	---	---	---
F150	4x4	Super Cab	No	6.5 Box	5.4L V8	3400	3550	6500	1223	8	---	150	7150	---	---	---	---	---	---	---
F150	4x4	Super Cab	No	8.0 Box	4.6L V8	3768	3550	6250	1223	8	---	50	7150	---	---	350	---	---	---	---
F150	4x4	Super Cab	No	8.0 Box	4.6L V8	3600	3550	6250	1223	8	---	50	7150	---	---	---	---	---	---	---
F150	4x4	Super Cab	No	8.0 Box	5.4L V8	3768	3550	6500	1223	8	---	50	7150	---	---	600	---	---	---	---
F150	4x4	Super Cab	No	8.0 Box	5.4L V8	3600	3550	6500	1223	8	---	50	7150	---	---	---	---	---	---	---
F150	4x4	SuperCrew	No	5.5 Box	4.6L V8	3600	3800	6500	1223	8	---	0	7150	---	---	---	---	---	---	---
F150	4x4	SuperCrew	No	5.5 Box	5.4L V8	3600	3800	6750	1223	8	---	50	7150	---	---	---	---	---	---	---
F250 SUPER DUTY	4x4	Reg Cab	No	8.0 Box	5.4L V8	5200	6084	8800	n/a	---	---	---	7159-2	---	---	350	450	450	450	450
F250 SUPER DUTY	4x4	Reg Cab	No	8.0 Box	5.4L V8	4800	6084	8800	n/a	---	---	---	7159-2	---	---	350	450	450	450	450
F250 SUPER DUTY	4x4	Reg Cab	No	8.0 Box	5.4L V8	4400	6084	8800	n/a	---	---	---	7159-2	---	---	850	---	---	---	---
F250 SUPER DUTY	4x4	Reg Cab	No	8.0 Box	6.0L D	5200	6084	8800	n/a	---	---	---	7159-2	---	---	550	650	700	800	800
F250 SUPER DUTY	4x4	Reg Cab	No	8.0 Box	6.8L V10	5200	6084	8800	n/a	---	---	---	7159-2	---	---	400	500	500	550	550
F250 SUPER DUTY	4x4	Reg Cab	No	8.0 Box	6.8L V10	4800	6084	8800	n/a	---	---	---	7159-2	---	---	400	500	500	550	550
F250 SUPER DUTY	4x4	Reg Cab	No	8.0 Box	7.3L D	5200	6084	8800	n/a	---	---	---	7159-2	---	---	550	650	650	700	700
F250 SUPER DUTY	4x4	Super Cab	No	6.8 Box	5.4L V8	5200	6084	8800	n/a	---	---	---	7159-2	---	---	300	400	400	400	400
F250 SUPER DUTY	4x4	Super Cab	No	6.8 Box	5.4L V8	4800	6084	8800	n/a	---	---	---	7159-2	---	---	300	400	400	400	400
F250 SUPER DUTY	4x4	Super Cab	No	6.8 Box	6.0L D	5200	6084	8800	n/a	---	---	---	7159-2	---	---	500	800	900	950	950
F250 SUPER DUTY	4x4	Super Cab	No	6.8 Box	6.8L V10	5200	6084	8800	n/a	---	---	---	7159-2	---	---	350	450	450	500	500
F250 SUPER DUTY	4x4	Super Cab	No	6.8 Box	6.8L V10	4800	6084	8800	n/a	---	---	---	7159-2	---	---	350	600	700	750	750
F250 SUPER DUTY	4x4	Super Cab	No	6.8 Box	7.3L D	5200	6084	8800	n/a	---	---	---	7159-2	---	---	500	700	800	850	850
F250 SUPER DUTY	4x4	Super Cab	No	8.0 Box	5.4L V8	5200	6084	8800	n/a	---	---	---	7159-2	---	---	300	400	400	400	400
F250 SUPER DUTY	4x4	Super Cab	No	8.0 Box	5.4L V8	4800	6084	8800	n/a	---	---	---	7159-2	---	---	300	550	650	750	750
F250 SUPER DUTY	4x4	Super Cab	No	8.0 Box	6.0L D	5200	6084	8800	n/a	---	---	---	7159-2	---	---	850	---	---	---	---
F250 SUPER DUTY	4x4	Super Cab	No	8.0 Box	6.8L V10	5200	6084	8800	n/a	---	---	---	7159-2	---	---	350	450	500	500	500
F250 SUPER DUTY	4x4	Super Cab	No	8.0 Box	6.8L V10	4800	6084	8800	n/a	---	---	---	7159-2	---	---	550	---	---	---	---
F250 SUPER DUTY	4x4	Super Cab	No	8.0 Box	7.3L D	5200	6084	8800	n/a	---	---	---	7159-2	---	---	700	---	---	---	---
F250 SUPER DUTY	4x4	Crew Cab	No	6.8 Box	5.4L V8	5200	6084	8800	n/a	---	---	---	7159-2	---	---	250	350	350	400	400
F250 SUPER DUTY	4x4	Crew Cab	No	6.8 Box	5.4L V8	4800	6084	8800	n/a	---	---	---	7159-2	---	---	250	650	750	850	850
F250 SUPER DUTY	4x4	Crew Cab	No	6.8 Box	6.8L V10	5200	6084	8800	n/a	---	---	---	7159-2	---	---	300	400	450	450	450
F250 SUPER DUTY	4x4	Crew Cab	No	6.8 Box	6.8L V10	4800	6084	8800	n/a	---	---	---	7159-2	---	---	700	---	---	---	---
F250 SUPER DUTY	4x4	Crew Cab	No	6.8 Box	7.3L D	5200	6084	8800	n/a	---	---	---	7159-2	---	---	850	---	---	---	---

- Notes:**
- Ballast amounts are based on a "Representative Vehicle," defined in the vehicle selection guide instructions, and must be modified for all other configurations for axle and GVWR compliance.
 - These Snowplows Are For Personal/Homeowner Use Only.
 - Requires 7700 Payload Group (option 627).

2003 Ford

Section 1

Homesteader™, LD-Series & M-Series Snowplows



Blade Length	6'-8"	7'-4"
Blade Assembly	Personal	Personal
Blade Part Number	27547	27549
Common Attachment Kit / Headgear Kit	27550	
Hydraulic Kit	27517	
Common Light	8435	
Choose Module	DRLs: 29070, Non-DRLs: 29060	
Choose a Hand-Held Control or a Joystick Control	9400 8292	



6'-9" LD	7'-1/2" LD	7'-1/2" RD M	8' HD M	8'-1/2" HD M	9' HD M
28069	27775	27500	28000	28500	29000
27750-1			27777		
9825-1			9840-2		
28800					
DRLs: 29070, Non-DRLs: 29060					
9400					
8292					

Model	Body Style	DRW	Box Option	Engine Type	Min F G A W R	Min R G A W R	Min G V W R	Peculiar Light Kit	Personal Plow system		Ballast Guidelines, lbs (1)	MM2 system		Ballast Guidelines, lbs (1)					
									Peculiar Att.Kit	Notes		Peculiar Att.Kit	Notes						
F250 SUPER DUTY	4x4	Crew Cab	No	8.0 Box	5.4L V8	5200	6084	8800	n/a	---	---	7159-2	---	---	---	300	350	400	400
F250 SUPER DUTY	4x4	Crew Cab	No	8.0 Box	5.4L V8	4800	6084	8800	n/a	---	---	7159-2	---	---	---	550	---	---	---
F250 SUPER DUTY	4x4	Crew Cab	No	8.0 Box	6.8L V10	5200	6084	8800	n/a	---	---	7159-2	---	---	---	350	450	450	450
F250 SUPER DUTY	4x4	All	No	Chassis	All	All	All	8501	n/a	---	---	7159-2	---	---	---	?	?	?	?
F350 SUPER DUTY	4x4	Reg Cab	No	8.0 Box	5.4L V8	5200	6830	9900	n/a	---	---	7159-2	---	---	---	---	450	450	450
F350 SUPER DUTY	4x4	Reg Cab	No	8.0 Box	5.4L V8	4800	6830	9900	n/a	---	---	7159-2	---	---	---	---	450	450	450
F350 SUPER DUTY	4x4	Reg Cab	No	8.0 Box	6.0L D	5200	6830	9900	n/a	---	---	7159-2	---	---	---	---	650	650	750
F350 SUPER DUTY	4x4	Reg Cab	No	8.0 Box	6.8L V10	5200	6830	9900	n/a	---	---	7159-2	---	---	---	---	500	500	500
F350 SUPER DUTY	4x4	Reg Cab	No	8.0 Box	6.8L V10	4800	6830	9900	n/a	---	---	7159-2	---	---	---	---	500	500	550
F350 SUPER DUTY	4x4	Reg Cab	No	8.0 Box	7.3L D	5200	6830	9900	n/a	---	---	7159-2	---	---	---	---	650	650	700
F350 SUPER DUTY	4x4	Reg Cab	Yes	8.0 Box	5.4L V8	5200	8250	11200	n/a	---	---	7159-2	---	---	---	---	---	300	300
F350 SUPER DUTY	4x4	Reg Cab	Yes	8.0 Box	5.4L V8	4800	8250	11200	n/a	---	---	7159-2	---	---	---	---	---	300	300
F350 SUPER DUTY	4x4	Reg Cab	Yes	8.0 Box	6.0L D	5200	8250	11500	n/a	---	---	7159-2	---	---	---	---	---	800	850
F350 SUPER DUTY	4x4	Reg Cab	Yes	8.0 Box	6.8L V10	5200	8250	11200	n/a	---	---	7159-2	---	---	---	---	---	300	300
F350 SUPER DUTY	4x4	Reg Cab	Yes	8.0 Box	6.8L V10	4800	8250	11200	n/a	---	---	7159-2	---	---	---	---	---	600	700
F350 SUPER DUTY	4x4	Reg Cab	Yes	8.0 Box	7.3L D	5200	8250	11500	n/a	---	---	7159-2	---	---	---	---	---	700	750
F350 SUPER DUTY	4x4	Super Cab	No	6.8 Box	5.4L V8	5200	6830	9900	n/a	---	---	7159-2	---	---	---	---	400	400	400
F350 SUPER DUTY	4x4	Super Cab	No	6.8 Box	5.4L V8	4800	6830	9900	n/a	---	---	7159-2	---	---	---	---	400	400	400
F350 SUPER DUTY	4x4	Super Cab	No	6.8 Box	6.0L D	5200	6830	9900	n/a	---	---	7159-2	---	---	---	---	800	900	950
F350 SUPER DUTY	4x4	Super Cab	No	6.8 Box	6.8L V10	5200	6830	9900	n/a	---	---	7159-2	---	---	---	---	450	450	450
F350 SUPER DUTY	4x4	Super Cab	No	6.8 Box	6.8L V10	4800	6830	9900	n/a	---	---	7159-2	---	---	---	---	600	700	750
F350 SUPER DUTY	4x4	Super Cab	No	6.8 Box	7.3L D	5200	6830	9900	n/a	---	---	7159-2	---	---	---	---	700	800	850
F350 SUPER DUTY	4x4	Super Cab	No	8.0 Box	5.4L V8	5200	6830	9900	n/a	---	---	7159-2	---	---	---	---	400	400	450
F350 SUPER DUTY	4x4	Super Cab	No	8.0 Box	5.4L V8	4800	6830	9900	n/a	---	---	7159-2	---	---	---	---	550	650	750
F350 SUPER DUTY	4x4	Super Cab	No	8.0 Box	6.8L V10	5200	6830	9900	n/a	---	---	7159-2	---	---	---	---	450	450	500
F350 SUPER DUTY	4x4	Super Cab	Yes	8.0 Box	5.4L V8	5200	8250	11200	n/a	---	---	7159-2	---	---	---	---	---	250	250
F350 SUPER DUTY	4x4	Super Cab	Yes	8.0 Box	5.4L V8	4800	8250	11200	n/a	---	---	7159-2	---	---	---	---	---	800	900
F350 SUPER DUTY	4x4	Super Cab	Yes	8.0 Box	6.8L V10	5200	8250	11200	n/a	---	---	7159-2	---	---	---	---	---	300	300
F350 SUPER DUTY	4x4	Crew Cab	No	6.8 Box	5.4L V8	5200	6830	9900	n/a	---	---	7159-2	---	---	---	---	350	350	400
F350 SUPER DUTY	4x4	Crew Cab	No	6.8 Box	5.4L V8	4800	6830	9900	n/a	---	---	7159-2	---	---	---	---	600	700	800
F350 SUPER DUTY	4x4	Crew Cab	No	6.8 Box	6.8L V10	5200	6830	9900	n/a	---	---	7159-2	---	---	---	---	400	450	450
F350 SUPER DUTY	4x4	Crew Cab	No	8.0 Box	5.4L V8	5200	6830	9900	n/a	---	---	7159-2	---	---	---	---	350	400	400
F350 SUPER DUTY	4x4	Crew Cab	No	8.0 Box	6.8L V10	5200	6830	9900	n/a	---	---	7159-2	---	---	---	---	450	450	450
F350 SUPER DUTY	4x4	Crew Cab	Yes	6.8 Box	6.8L V10	5200	8250	11200	n/a	---	---	7159-2	---	---	---	---	---	250	250
F350 SUPER DUTY	4x4	Crew Cab	Yes	8.0 Box	6.8L V10	5200	8250	11200	n/a	---	---	7159-2	---	---	---	---	---	200	250
F350 SUPER DUTY	4x4	All	No	Chassis	All	All	All	8501	n/a	---	---	7159-2	---	---	---	---	?	?	?
F350 SUPER DUTY	4x4	All	Yes	Chassis	All	All	All	8501	n/a	---	---	7159-2	---	---	---	---	?	?	?

2B use 29051 or HB5 use 29050

Notes:
1. Ballast amounts are based on a "Representative Vehicle," defined in the vehicle selection guide instructions, and must be modified for all other configurations for axle and GVWR compliance.

2003 Ford

Section 1

Homesteader™, LD-Series & M-Series Snowplows



Blade Length	6'-8"	7'-4"
Blade Assembly	Personal	Personal
Blade Part Number	27547	27549
Common Attachment Kit / Headgear Kit	27550	
Hydraulic Kit	27517	
Common Light	8435	
Choose Module	DRLs: 29070, Non-DRLs: 29060	
Choose a Hand-Held Control or a Joystick Control	9400	
	8292	



6'-9" LD	7'-1/2" LD	7'-1/2" RD M	8' HD M	8'-1/2" HD M	9' HD M
28069	27775	27500	28000	28500	29000
27750-1		27777			
9825-1		9840-2			
28800					
DRLs: 29070, Non-DRLs: 29060					
9400					
8292					

Model	Body Style	DRW	Box Option	Engine Type	Min F G A W R	Min R G A W R	Min G V W R	Peculiar Light Kit	Personal Plow system		Ballast Guidelines, lbs (1)	MM2 system		Ballast Guidelines, lbs (1)						
									Peculiar Att. Kit	Notes		Peculiar Att. Kit	Notes							
F350 SUPER DUTY	4x2	Reg Cab	Yes	8.0 Box	5.4L V8	4850	8250	11200	n/a	---	---	---	7176	2,10,44	---	---	---	---	200	250
F350 SUPER DUTY	4x2	Reg Cab	Yes	8.0 Box	5.4L V8	4550	8250	11200	n/a	---	---	---	7176	2,10,44	---	---	---	---	200	250
F350 SUPER DUTY	4x2	Reg Cab	Yes	8.0 Box	5.4L V8	4400	8250	11200	n/a	---	---	---	7176	2,10,44	---	---	---	---	200	250
F350 SUPER DUTY	4x2	Reg Cab	Yes	8.0 Box	5.4L V8	4250	8250	11200	n/a	---	---	---	7176	2,10,44	---	---	---	---	750	800
F350 SUPER DUTY	4x2	Reg Cab	Yes	8.0 Box	6.0L D	4850	8250	11500	n/a	---	---	---	7176	2,10,44	---	---	---	---	700	750
F350 SUPER DUTY	4x2	Reg Cab	Yes	8.0 Box	6.8L V10	4850	8250	11200	n/a	---	---	---	7176	2,10,44	---	---	---	---	250	250
F350 SUPER DUTY	4x2	Reg Cab	Yes	8.0 Box	6.8L V10	4550	8250	11200	n/a	---	---	---	7176	2,10,44	---	---	---	---	250	250
F350 SUPER DUTY	4x2	Reg Cab	Yes	8.0 Box	6.8L V10	4400	8250	11200	n/a	---	---	---	7176	2,10,44	---	---	---	---	700	750
F350 SUPER DUTY	4x2	Reg Cab	Yes	8.0 Box	7.3L D	4850	8250	11500	n/a	---	---	---	7176	2,10,44	---	---	---	---	600	650
F350 SUPER DUTY	4x2	Super Cab	Yes	8.0 Box	5.4L V8	4850	8250	11200	n/a	---	---	---	7176	2,10,44	---	---	---	---	150	150
F350 SUPER DUTY	4x2	Super Cab	Yes	8.0 Box	5.4L V8	4550	8250	11200	n/a	---	---	---	7176	2,10,44	---	---	---	---	200	300
F350 SUPER DUTY	4x2	Super Cab	Yes	8.0 Box	5.4L V8	4400	8250	11200	n/a	---	---	---	7176	2,10,44	---	---	---	---	850	950
F350 SUPER DUTY	4x2	Super Cab	Yes	8.0 Box	6.8L V10	4850	8250	11200	n/a	---	---	---	7176	2,10,44	---	---	---	---	150	200
F350 SUPER DUTY	4x2	Super Cab	Yes	8.0 Box	6.8L V10	4550	8250	11200	n/a	---	---	---	7176	2,10,44	---	---	---	---	850	950
F350 SUPER DUTY	4x2	Crew Cab	Yes	6.8 Box	6.8L V10	4850	8250	11200	n/a	---	---	---	7176	2,10,44	---	---	---	---	200	200
F350 SUPER DUTY	4x2	Crew Cab	Yes	6.8 Box	6.8L V10	4550	8250	11200	n/a	---	---	---	7176	2,10,44	---	---	---	---	950	---
F350 SUPER DUTY	4x2	Crew Cab	Yes	8.0 Box	6.8L V10	4850	8250	11200	n/a	---	---	---	7176	2,10,44	---	---	---	---	100	150
F450 SUPER DUTY	4x4	All	Yes	Chassis	All	All	All	8501	n/a	---	---	---	7159-2	---	---	---	---	---	?	?
F450 SUPER DUTY	4x2	All	Yes	Chassis	All	All	All	10001	n/a	---	---	---	7159-2	---	---	---	---	---	?	?

Notes:
 1. Ballast amounts are based on a "Representative Vehicle," defined in the vehicle selection guide instructions, and must be modified for all other configurations for axle and GVWR compliance.
 2. Recommended snowplow prep package whenever available.

10. May require bumper or air dam notching.
 44. Minimum height required from ground to foremost point on frame bottom is 22.5".

2003 Ford

Section 2 XBLADE™ & MC-Series Snowplows



Blade Length	7-1/2'	7-1/2'	8'	8'	8-1/2'	8-1/2'	9'	9'	9'	10'
Blade Assembly	X SS	X MS	X SS	X MS	X SS	X MS	X SS	X MS	MC	MC
Blade Part Number	27510	27512	28100	28200	28510	28520	29100	29200	29250	29350
Common Attachment Kit / Headgear Kit	28900	27777	28900	27777	28900	27777	28900	27777	29999	
A-Frame Kit	n/a								28665	
Hydraulic Kit	9840-2								9835-1	
Common Light	28800									
Choose Module	DRLs: 29070, Non-DRLs: 29060									
Choose a Hand-Held Control	9400									
or a Joystick Control	8292									

Model	Body Style	DRW	Box Option	Engine Type	Min F G A W R	Min R G A W R	Min G V W R	Peculiar Light Kit	MM2 system		Ballast Guidelines, lbs (1)														
									Peculiar Att. Kit	Notes															
F150	4x4	Reg Cab	No	8.0 Box	5.4L V8	4150	4800	7700	HB5 use	7150	22	500	500	---	---	---	---	---	---	---	---	---	---	---	---
F150	4x4	Super Cab	No	6.5 Box	5.4L V8	4150	4800	7700	29050	7150	22	500	500	---	---	---	---	---	---	---	---	---	---	---	---
F250 SUPER DUTY	4x4	Reg Cab	No	8.0 Box	5.4L V8	5200	6084	8800		7159-2	---	450	450	500	500	500	500	550	550	---	---	---	---	---	---
F250 SUPER DUTY	4x4	Reg Cab	No	8.0 Box	5.4L V8	4800	6084	8800	2B use 29051 or HB5 use 29050	7159-2	---	450	450	500	500	500	500	500	500	500	500	---	---	---	---
F250 SUPER DUTY	4x4	Reg Cab	No	8.0 Box	6.0L D	5200	6084	8800		7159-2	---	750	750	---	---	---	---	---	---	---	---	---	---	---	---
F250 SUPER DUTY	4x4	Reg Cab	No	8.0 Box	6.8L V10	5200	6084	8800	2B use 29051 or HB5 use 29050	7159-2	---	500	500	550	550	600	600	600	600	600	600	---	---	---	---
F250 SUPER DUTY	4x4	Reg Cab	No	8.0 Box	6.8L V10	4800	6084	8800		7159-2	---	500	500	750	750	900	900	1000	1000	1000	1000	---	---	---	---
F250 SUPER DUTY	4x4	Reg Cab	No	8.0 Box	7.3L D	5200	6084	8800	2B use 29051 or HB5 use 29050	7159-2	---	650	650	950	950	---	---	---	---	---	---	---	---	---	---
F250 SUPER DUTY	4x4	Super Cab	No	6.8 Box	5.4L V8	5200	6084	8800		7159-2	---	400	400	450	450	450	450	500	500	500	500	---	---	---	---
F250 SUPER DUTY	4x4	Super Cab	No	6.8 Box	5.4L V8	4800	6084	8800	2B use 29051 or HB5 use 29050	7159-2	---	400	400	450	450	450	600	600	700	700	700	---	---	---	---
F250 SUPER DUTY	4x4	Super Cab	No	6.8 Box	6.0L D	5200	6084	8800		7159-2	---	900	900	---	---	---	---	---	---	---	---	---	---	---	---
F250 SUPER DUTY	4x4	Super Cab	No	6.8 Box	6.8L V10	5200	6084	8800	2B use 29051 or HB5 use 29050	7159-2	---	450	450	500	500	550	550	550	550	550	550	---	---	---	---
F250 SUPER DUTY	4x4	Super Cab	No	6.8 Box	6.8L V10	4800	6084	8800		7159-2	---	700	700	1000	1000	---	---	---	---	---	---	---	---	---	---
F250 SUPER DUTY	4x4	Super Cab	No	6.8 Box	7.3L D	5200	6084	8800	2B use 29051 or HB5 use 29050	7159-2	---	800	800	---	---	---	---	---	---	---	---	---	---	---	---
F250 SUPER DUTY	4x4	Super Cab	No	8.0 Box	5.4L V8	5200	6084	8800		7159-2	---	400	400	450	450	500	500	500	500	500	500	---	---	---	---
F250 SUPER DUTY	4x4	Super Cab	No	8.0 Box	5.4L V8	4800	6084	8800	2B use 29051 or HB5 use 29050	7159-2	---	400	400	450	450	500	500	500	500	500	500	---	---	---	---
F250 SUPER DUTY	4x4	Super Cab	No	8.0 Box	5.4L V8	4800	6084	8800		7159-2	---	700	700	1000	1000	---	---	---	---	---	---	---	---	---	---
F250 SUPER DUTY	4x4	Super Cab	No	6.8 Box	6.8L V10	5200	6084	8800	2B use 29051 or HB5 use 29050	7159-2	---	800	800	---	---	---	---	---	---	---	---	---	---	---	---
F250 SUPER DUTY	4x4	Crew Cab	No	6.8 Box	6.8L V10	5200	6084	8800		7159-2	---	450	450	500	500	500	500	500	500	500	500	---	---	---	---
F250 SUPER DUTY	4x4	Crew Cab	No	8.0 Box	5.4L V8	5200	6084	8800	2B use 29051 or HB5 use 29050	7159-2	---	400	400	450	450	450	450	500	500	500	500	---	---	---	---
F250 SUPER DUTY	4x4	Crew Cab	No	6.8 Box	5.4L V8	4800	6084	8800		7159-2	---	800	800	---	---	---	---	---	---	---	---	---	---	---	---
F250 SUPER DUTY	4x4	Crew Cab	No	6.8 Box	6.8L V10	5200	6084	8800	2B use 29051 or HB5 use 29050	7159-2	---	450	450	500	500	500	500	500	500	500	500	---	---	---	---
F250 SUPER DUTY	4x4	Crew Cab	No	8.0 Box	5.4L V8	5200	6084	8800		7159-2	---	400	400	450	450	450	450	500	500	500	500	---	---	---	---
F250 SUPER DUTY	4x4	Crew Cab	No	8.0 Box	6.8L V10	5200	6084	8800	2B use 29051 or HB5 use 29050	7159-2	---	450	450	500	500	550	550	700	700	700	700	---	---	---	---
F250 SUPER DUTY	4x4	All	No	Chassis	All	All	All	8501		7159-2	---	?	?	?	?	?	?	?	?	?	---	---	---	---	---
F350 SUPER DUTY	4x4	Reg Cab	No	8.0 Box	5.4L V8	5200	6830	9900	2B use 29051 or HB5 use 29050	7159-2	---	450	450	500	500	500	500	550	550	550	550	---	---	---	---
F350 SUPER DUTY	4x4	Reg Cab	No	8.0 Box	5.4L V8	4800	6830	9900		7159-2	---	450	450	500	500	500	500	500	550	550	550	550	---	---	---
F350 SUPER DUTY	4x4	Reg Cab	No	8.0 Box	6.0L D	5200	6830	9900	2B use 29051 or HB5 use 29050	7159-2	---	700	700	1000	1000	---	---	---	---	---	---	---	---	---	---
F350 SUPER DUTY	4x4	Reg Cab	No	8.0 Box	6.8L V10	5200	6830	9900		7159-2	---	500	500	550	550	600	600	600	600	600	600	---	---	---	---
F350 SUPER DUTY	4x4	Reg Cab	No	8.0 Box	6.8L V10	4800	6830	9900	2B use 29051 or HB5 use 29050	7159-2	---	500	500	800	800	950	950	---	---	---	---	---	---	---	---
F350 SUPER DUTY	4x4	Reg Cab	No	8.0 Box	7.3L D	5200	6830	9900		7159-2	---	650	650	900	900	---	---	---	---	---	---	---	---	---	---
F350 SUPER DUTY	4x4	Reg Cab	Yes	8.0 Box	5.4L V8	5200	8250	11200	2B use 29051 or HB5 use 29050	7159-2	---	---	---	---	---	350	350	400	400	400	400	---	---	---	---
F350 SUPER DUTY	4x4	Reg Cab	Yes	8.0 Box	5.4L V8	4800	8250	11200		7159-2	---	---	---	---	---	---	500	500	650	650	650	650	---	---	---
F350 SUPER DUTY	4x4	Reg Cab	Yes	8.0 Box	6.8L V10	5200	8250	11200	2B use 29051 or HB5 use 29050	7159-2	---	---	---	---	---	350	350	400	400	400	400	---	---	---	---

Notes:
 1. Ballast amounts are based on a "Representative Vehicle," defined in the vehicle selection guide instructions, and must be modified for all other configurations for axle and GVWR compliance.
 22. Requires 7700 Payload Group (option 627).

2003 Ford

Section 3

EZ-V® & XtremeV™ Snowplows



Blade Length	7-1/2'	7-1/2'	8-1/2'	8-1/2'	9-1/2'	9-1/2'	8-1/2'	9-1/2'
Blade Assembly	XV SS	XV MS	XV SS	XV MS	XV SS	XV MS	EZ-V®	EZ-V®
Blade Part Number	44775	44675	44785	44685	44795	44695	28885	28895
Common Attachment Kit / Headgear Kit	44650	44600	44650	44600	44650	44600	28888	
Hydraulic Kit	n/a						9828-4	
Common Light	n/a						28800	
Choose Module	DRLs: 29070, Non-DRLs: 29060							
Choose a Hand-Held Control or a Joystick Control	29600						9800	
	29700						9900	

Model	Body Style	DRW	Box Option	Engine Type	Min F G A W R	Min R G A W R	Min G V W R	Peculiar Light Kit	MM2 system		Ballast Guidelines, lbs (1)									
									Peculiar Att.Kit	Notes	7150	22	600	600	---	---	---	---	---	---
F150	4x4	Reg Cab	No	8.0 Box	5.4L V8	4150	4800	7700	HB5 use 29050	7150	22	600	600	---	---	---	---	---	---	
F150	4x4	Super Cab	No	6.5 Box	5.4L V8	4150	4800	7700		7150	22	800	800	---	---	---	---	---	---	---
F250 SUPER DUTY	4x4	Reg Cab	No	8.0 Box	5.4L V8	5200	6084	8800	2B use 29051 or HB5 use 29050	7159-2	---	450	450	500	500	600	600	450	500	
F250 SUPER DUTY	4x4	Reg Cab	No	8.0 Box	5.4L V8	4800	6084	8800		7159-2	---	450	450	500	500	---	---	---	450	500
F250 SUPER DUTY	4x4	Reg Cab	No	8.0 Box	6.0L D	5200	6084	8800		7159-2	---	---	---	---	---	---	---	---	900	---
F250 SUPER DUTY	4x4	Reg Cab	No	8.0 Box	6.8L V10	5200	6084	8800		7159-2	---	550	550	600	600	700	700	500	550	---
F250 SUPER DUTY	4x4	Reg Cab	No	8.0 Box	6.8L V10	4800	6084	8800		7159-2	---	700	700	1000	1000	---	---	---	600	950
F250 SUPER DUTY	4x4	Reg Cab	No	8.0 Box	7.3L D	5200	6084	8800		7159-2	---	900	900	---	---	---	---	---	800	---
F250 SUPER DUTY	4x4	Super Cab	No	6.8 Box	5.4L V8	5200	6084	8800		7159-2	---	400	400	450	450	550	550	400	450	---
F250 SUPER DUTY	4x4	Super Cab	No	6.8 Box	5.4L V8	4800	6084	8800		7159-2	---	450	450	750	750	---	---	---	400	650
F250 SUPER DUTY	4x4	Super Cab	No	6.8 Box	6.8L V10	5200	6084	8800		7159-2	---	500	500	550	550	650	650	450	500	---
F250 SUPER DUTY	4x4	Super Cab	No	6.8 Box	6.8L V10	4800	6084	8800		7159-2	---	1000	1000	---	---	---	---	---	900	---
F250 SUPER DUTY	4x4	Super Cab	No	6.8 Box	7.3L D	5200	6084	8800		7159-2	---	---	---	---	---	---	---	---	950	---
F250 SUPER DUTY	4x4	Super Cab	No	8.0 Box	5.4L V8	5200	6084	8800		7159-2	---	450	450	500	500	600	600	400	450	---
F250 SUPER DUTY	4x4	Super Cab	No	8.0 Box	5.4L V8	4800	6084	8800		7159-2	---	---	---	---	---	---	---	---	900	---
F250 SUPER DUTY	4x4	Super Cab	No	8.0 Box	6.8L V10	5200	6084	8800		7159-2	---	500	500	550	550	850	850	500	550	---
F250 SUPER DUTY	4x4	Crew Cab	No	6.8 Box	5.4L V8	5200	6084	8800		7159-2	---	400	400	450	450	550	550	350	400	---
F250 SUPER DUTY	4x4	Crew Cab	No	6.8 Box	5.4L V8	4800	6084	8800		7159-2	---	---	---	---	---	---	---	---	1000	---
F250 SUPER DUTY	4x4	Crew Cab	No	6.8 Box	6.8L V10	5200	6084	8800		7159-2	---	450	450	500	500	---	---	---	450	500
F250 SUPER DUTY	4x4	Crew Cab	No	8.0 Box	5.4L V8	5200	6084	8800		7159-2	---	400	400	450	450	900	900	400	450	---
F250 SUPER DUTY	4x4	Crew Cab	No	8.0 Box	6.8L V10	5200	6084	8800		7159-2	---	500	500	750	750	---	---	---	450	700
F250 SUPER DUTY	4x4	All	No	Chassis	All	All	All	8501		7159-2	---	?	?	?	?	?	?	?	?	?
F350 SUPER DUTY	4x4	Reg Cab	No	8.0 Box	5.4L V8	5200	6830	9900		7159-2	---	450	450	500	500	650	650	450	500	---
F350 SUPER DUTY	4x4	Reg Cab	No	8.0 Box	5.4L V8	4800	6830	9900		7159-2	---	450	450	500	500	---	---	---	450	500
F350 SUPER DUTY	4x4	Reg Cab	No	8.0 Box	6.0L D	5200	6830	9900		7159-2	---	1000	1000	---	---	---	---	---	850	---
F350 SUPER DUTY	4x4	Reg Cab	No	8.0 Box	6.8L V10	5200	6830	9900		7159-2	---	550	550	600	600	700	700	500	550	---
F350 SUPER DUTY	4x4	Reg Cab	No	8.0 Box	6.8L V10	4800	6830	9900		7159-2	---	800	800	---	---	---	---	---	650	1000
F350 SUPER DUTY	4x4	Reg Cab	No	8.0 Box	7.3L D	5200	6830	9900		7159-2	---	900	900	---	---	---	---	---	750	---
F350 SUPER DUTY	4x4	Reg Cab	Yes	8.0 Box	5.4L V8	5200	8250	11200		7159-2	---	---	---	350	350	450	450	300	350	---
F350 SUPER DUTY	4x4	Reg Cab	Yes	8.0 Box	5.4L V8	4800	8250	11200		7159-2	---	---	---	650	650	---	---	---	300	550
F350 SUPER DUTY	4x4	Reg Cab	Yes	8.0 Box	6.0L D	5200	8250	11500	7159-2	---	---	---	---	---	---	---	---	1000	---	
F350 SUPER DUTY	4x4	Reg Cab	Yes	8.0 Box	6.8L V10	5200	8250	11200	7159-2	---	---	---	350	350	450	450	300	350	---	
F350 SUPER DUTY	4x4	Reg Cab	Yes	8.0 Box	6.8L V10	4800	8250	11200	7159-2	---	---	---	---	---	---	---	---	800	---	
F350 SUPER DUTY	4x4	Reg Cab	Yes	8.0 Box	7.3L D	5200	8250	11500	7159-2	---	---	---	---	---	---	---	---	850	---	

Notes:
 1. Ballast amounts are based on a "Representative Vehicle," defined in the vehicle selection guide instructions, and must be modified for all other configurations for axle and GVWR compliance.
 2. Requires 7700 Payload Group (option 627).

2003 Ford

Section 3

EZ-V® & XtremeV™ Snowplows



Blade Length	7-1/2'	7-1/2'	8-1/2'	8-1/2'	9-1/2'	9-1/2'	8-1/2'	9-1/2'
Blade Assembly	XV SS	XV MS	XV SS	XV MS	XV SS	XV MS	EZ-V®	EZ-V®
Blade Part Number	44775	44675	44785	44685	44795	44695	28885	28895
Common Attachment Kit / Headgear Kit	44650	44600	44650	44600	44650	44600	28888	
Hydraulic Kit	n/a						9828-4	
Common Light	n/a						28800	
Choose Module	DRLs: 29070, Non-DRLs: 29060							
Choose a Hand-Held Control or a Joystick Control	29600						9800	
	29700						9900	

Model	Body Style	DRW	Box Option	Engine Type	Min F G A W R	Min R G A W R	Min G V W R	Peculiar Light Kit	MM2 system		Ballast Guidelines, lbs (1)									
									Peculiar Att.Kit	Notes	7159-2	---	400	400	450	450	550	550	400	450
F350 SUPER DUTY	4x4	Super Cab	No	6.8 Box	5.4L V8	5200	6830	9900			7159-2	---	400	400	450	450	550	550	400	450
F350 SUPER DUTY	4x4	Super Cab	No	6.8 Box	5.4L V8	4800	6830	9900			7159-2	---	450	450	750	750	---	---	400	650
F350 SUPER DUTY	4x4	Super Cab	No	6.8 Box	6.8L V10	5200	6830	9900			7159-2	---	500	500	500	500	650	650	450	500
F350 SUPER DUTY	4x4	Super Cab	No	6.8 Box	6.8L V10	4800	6830	9900			7159-2	---	1000	1000	---	---	---	---	850	---
F350 SUPER DUTY	4x4	Super Cab	No	6.8 Box	7.3L D	5200	6830	9900			7159-2	---	---	---	---	---	---	---	950	---
F350 SUPER DUTY	4x4	Super Cab	No	8.0 Box	5.4L V8	5200	6830	9900			7159-2	---	450	450	500	500	600	600	400	450
F350 SUPER DUTY	4x4	Super Cab	No	8.0 Box	5.4L V8	4800	6830	9900			7159-2	---	1000	1000	---	---	---	---	900	---
F350 SUPER DUTY	4x4	Super Cab	No	8.0 Box	6.8L V10	5200	6830	9900			7159-2	---	500	500	550	550	950	950	500	550
F350 SUPER DUTY	4x4	Super Cab	Yes	8.0 Box	5.4L V8	5200	8250	11200			7159-2	---	---	---	350	350	450	450	250	300
F350 SUPER DUTY	4x4	Super Cab	Yes	8.0 Box	6.8L V10	5200	8250	11200			7159-2	---	---	---	350	350	---	---	300	350
F350 SUPER DUTY	4x4	Crew Cab	No	6.8 Box	5.4L V8	5200	6830	9900			7159-2	---	400	400	450	450	550	550	350	400
F350 SUPER DUTY	4x4	Crew Cab	No	6.8 Box	5.4L V8	4800	6830	9900			7159-2	---	---	---	---	---	---	---	950	---
F350 SUPER DUTY	4x4	Crew Cab	No	6.8 Box	6.8L V10	5200	6830	9900			7159-2	---	450	450	500	500	---	---	450	500
F350 SUPER DUTY	4x4	Crew Cab	No	8.0 Box	5.4L V8	5200	6830	9900			7159-2	---	400	400	450	450	900	900	400	450
F350 SUPER DUTY	4x4	Crew Cab	No	8.0 Box	6.8L V10	5200	6830	9900			7159-2	---	500	500	750	750	---	---	450	650
F350 SUPER DUTY	4x4	Crew Cab	Yes	6.8 Box	6.8L V10	5200	8250	11200			7159-2	---	---	---	400	400	---	---	250	300
F350 SUPER DUTY	4x4	Crew Cab	Yes	8.0 Box	6.8L V10	5200	8250	11200			7159-2	---	---	---	900	900	---	---	400	800
F350 SUPER DUTY	4x4	All	No	Chassis	All	All	All	8501	2B use		7159-2	---	?	?	?	?	?	?	?	?
F350 SUPER DUTY	4x4	All	Yes	Chassis	All	All	All	8501	29051 or HB5 use		7159-2	---	---	---	?	?	?	?	?	?
F350 SUPER DUTY	4x2	Reg Cab	Yes	8.0 Box	5.4L V8	4850	8250	11200	29050		7176	2,10,44	---	---	300	300	400	400	200	250
F350 SUPER DUTY	4x2	Reg Cab	Yes	8.0 Box	5.4L V8	4550	8250	11200			7176	2,10,44	---	---	300	300	850	850	200	250
F350 SUPER DUTY	4x2	Reg Cab	Yes	8.0 Box	5.4L V8	4400	8250	11200			7176	2,10,44	---	---	750	750	---	---	300	650
F350 SUPER DUTY	4x2	Reg Cab	Yes	8.0 Box	5.4L V8	4250	8250	11200			7176	2,10,44	---	---	---	---	---	---	950	---
F350 SUPER DUTY	4x2	Reg Cab	Yes	8.0 Box	6.0L D	4850	8250	11500			7176	2,10,44	---	---	---	---	---	---	900	---
F350 SUPER DUTY	4x2	Reg Cab	Yes	8.0 Box	6.8L V10	4850	8250	11200			7176	2,10,44	---	---	300	300	400	400	250	300
F350 SUPER DUTY	4x2	Reg Cab	Yes	8.0 Box	6.8L V10	4550	8250	11200			7176	2,10,44	---	---	700	700	---	---	300	600
F350 SUPER DUTY	4x2	Reg Cab	Yes	8.0 Box	6.8L V10	4400	8250	11200			7176	2,10,44	---	---	---	---	---	---	900	---
F350 SUPER DUTY	4x2	Reg Cab	Yes	8.0 Box	7.3L D	4850	8250	11500			7176	2,10,44	---	---	---	---	---	---	800	---
F350 SUPER DUTY	4x2	Super Cab	Yes	8.0 Box	5.4L V8	4850	8250	11200			7176	2,10,44	---	---	250	250	350	350	150	200
F350 SUPER DUTY	4x2	Super Cab	Yes	8.0 Box	5.4L V8	4550	8250	11200			7176	2,10,44	---	---	900	900	---	---	450	800
F350 SUPER DUTY	4x2	Super Cab	Yes	8.0 Box	6.8L V10	4850	8250	11200			7176	2,10,44	---	---	250	250	950	950	150	200
F350 SUPER DUTY	4x2	Crew Cab	Yes	6.8 Box	6.8L V10	4850	8250	11200			7176	2,10,44	---	---	300	300	---	---	200	250
F350 SUPER DUTY	4x2	Crew Cab	Yes	8.0 Box	6.8L V10	4850	8250	11200			7176	2,10,44	---	---	750	750	---	---	200	650
F450 SUPER DUTY	4x4	All	Yes	Chassis	All	All	All	8501			7159-2	---	---	---	?	?	?	?	?	?
F450 SUPER DUTY	4x2	All	Yes	Chassis	All	All	All	10001			7159-2	---	---	---	?	?	?	?	?	?
F550 SUPER DUTY	4x4	All	Yes	Chassis	All	All	All	8501			7159-2	---	---	---	?	?	?	?	?	?
F550 SUPER DUTY	4x2	All	Yes	Chassis	All	All	All	10001			7159-2	---	---	---	?	?	?	?	?	?

Notes:
 1. Ballast amounts are based on a "Representative Vehicle," defined in the vehicle selection guide instructions, and must be modified for all other configurations for axle and GVWR compliance.
 2. Recommended snowplow prep package whenever available.
 10. May require bumper or air dam notching.
 44. Minimum height required from ground to foremost point on frame bottom is 22.5".

2003 Dodge

Section 1

Homesteader™, LD-Series & M-Series Snowplows



Blade Length	6'-8"	7'-4"
Blade Assembly	Personal	Personal
Blade Part Number	27547	27549
Common Attachment Kit / Headgear Kit	27550	
Hydraulic Kit	27517	
Common Light	8435	
Choose Module	DRLs: 29070, Non-DRLs: 29060	
Choose a Hand-Held Control or a Joystick Control	9400 8292	



6'-9" LD	7'-1/2" LD	7'-1/2" RD M	8' HD M	8-1/2" HD M	9' HD M
28069	27775	27500	28000	28500	29000
27750-1			27777		
9825-1		9840-2			
28800					
DRLs: 29070, Non-DRLs: 29060					
9400					
8292					

Model	Body Style	DRW	Box Option	Engine Type	Min F G A W R	Min R G A W R	Min G V W R	Peculiar Light Kit	Personal Plow system		Ballast Guidelines, lbs (1)	MM2 system		Ballast Guidelines, lbs (1)							
									Peculiar Att.Kit	Notes		Peculiar Att.Kit	Notes								
DURANGO R/T	4x4	SU-4DR	No	---	5.9L V8	3600	3806	6400	n/a	---	---	---	7165	25	---	300	---	---	---	---	---
DURANGO SLT	4x4	SU-4DR	No	---	4.7L V8	3600	3806	6400	n/a	---	---	---	7165	25	---	0	---	---	---	---	---
DURANGO SLT	4x4	SU-4DR	No	---	5.9L V8	3600	3806	6400	n/a	---	---	---	7165	25	---	50	---	---	---	---	---
DURANGO SLT PLUS	4x4	SU-4DR	No	---	4.7L V8	3600	3806	6400	n/a	---	---	---	7165	25	---	0	---	---	---	---	---
DURANGO SLT PLUS	4x4	SU-4DR	No	---	5.9L V8	3600	3806	6400	n/a	---	---	---	7165	25	---	200	---	---	---	---	---
DURANGO SPORT	4x4	SU-4DR	No	---	4.7L V8	3600	3806	6400	n/a	---	---	---	7165	25	---	50	---	---	---	---	---
DAKOTA	4x4	Reg Cab	No	6.5 Box	3.9L V6	3600	3850	5900	n/a	---	---	---	7165	25	---	350	---	---	---	---	---
DAKOTA	4x4	Reg Cab	No	6.5 Box	3.9L V6	3600	3850	5400	n/a	---	---	---	7165	25	---	350	---	---	---	---	---
DAKOTA	4x4	Club Cab	No	6.5 Box	3.9L V6	3600	3850	6010	n/a	---	---	---	7165	25	---	350	---	---	---	---	---
DAKOTA SLT	4x4	Reg Cab	No	6.5 Box	3.9L V6	3600	3850	5900	n/a	---	---	---	7165	25	---	300	---	---	---	---	---
DAKOTA SLT	4x4	Reg Cab	No	6.5 Box	3.9L V6	3600	3850	5400	n/a	---	---	---	7165	25	---	300	---	---	---	---	---
DAKOTA SLT	4x4	Reg Cab	No	6.5 Box	4.7L V8	3600	3850	5900	n/a	---	---	---	7165	25	---	300	---	---	---	---	---
DAKOTA SLT	4x4	Reg Cab	No	6.5 Box	4.7L V8	3600	3850	5400	n/a	---	---	---	7165	25	---	300	---	---	---	---	---
DAKOTA SLT	4x4	Club Cab	No	6.5 Box	3.9L V6	3600	3850	6010	n/a	---	---	---	7165	25	---	350	---	---	---	---	---
DAKOTA SLT	4x4	Club Cab	No	6.5 Box	4.7L V8	3600	3850	6010	n/a	---	---	---	7165	25	---	350	---	---	---	---	---
DAKOTA SLT	4x4	Club Cab	No	6.5 Box	4.7L V8	3600	3850	5900	n/a	---	---	---	7165	25	---	350	---	---	---	---	---
DAKOTA SLT	4x4	Club Cab	No	6.5 Box	4.7L V8	3600	3850	5800	n/a	---	---	---	7165	25	---	350	---	---	---	---	---
DAKOTA SLT	4x4	Quad Cab	No	5.3 Box	3.9L V6	3600	3850	6010	n/a	---	---	---	7165	25	---	200	---	---	---	---	---
DAKOTA SLT	4x4	Quad Cab	No	5.3 Box	4.7L V8	3600	3850	6010	n/a	---	---	---	7165	25	---	150	---	---	---	---	---
DAKOTA SLT	4x4	Quad Cab	No	5.3 Box	5.9L V8	3600	3850	6010	n/a	---	---	---	7165	25	---	150	---	---	---	---	---
DAKOTA SPORT	4x4	Reg Cab	No	6.5 Box	3.9L V6	3600	3850	5900	n/a	---	---	---	7165	25	---	300	---	---	---	---	---
DAKOTA SPORT	4x4	Reg Cab	No	6.5 Box	3.9L V6	3600	3850	5400	n/a	---	---	---	7165	25	---	300	---	---	---	---	---
DAKOTA SPORT	4x4	Reg Cab	No	6.5 Box	4.7L V8	3600	3850	5900	n/a	---	---	---	7165	25	---	300	---	---	---	---	---
DAKOTA SPORT	4x4	Reg Cab	No	6.5 Box	4.7L V8	3600	3850	5400	n/a	---	---	---	7165	25	---	300	---	---	---	---	---
DAKOTA SPORT	4x4	Club Cab	No	6.5 Box	3.9L V6	3600	3850	6010	n/a	---	---	---	7165	25	---	350	---	---	---	---	---
DAKOTA SPORT	4x4	Club Cab	No	6.5 Box	4.7L V8	3600	3850	6010	n/a	---	---	---	7165	25	---	300	---	---	---	---	---
DAKOTA SPORT	4x4	Club Cab	No	6.5 Box	4.7L V8	3600	3850	5900	n/a	---	---	---	7165	25	---	300	---	---	---	---	---
DAKOTA SPORT	4x4	Club Cab	No	6.5 Box	4.7L V8	3600	3850	5600	n/a	---	---	---	7165	25	---	300	---	---	---	---	---
DAKOTA SPORT	4x4	Quad Cab	No	5.3 Box	3.9L V6	3600	3850	6010	n/a	---	---	---	7165	25	---	150	---	---	---	---	---
DAKOTA SPORT	4x4	Quad Cab	No	5.3 Box	4.7L V8	3600	3850	6010	n/a	---	---	---	7165	25	---	150	---	---	---	---	---
DAKOTA SPORT	4x4	Quad Cab	No	5.3 Box	5.9L V8	3600	3850	6010	n/a	---	---	---	7165	25	---	150	---	---	---	---	---
RAM 1500	4x4	Reg Cab	No	6.3 Box	4.7L V8	3900	3900	6350	n/a	---	---	---	7167	---	---	200	---	---	---	---	---
RAM 1500	4x4	Reg Cab	No	6.3 Box	5.9L V8	3900	3900	6350	n/a	---	---	---	7167	---	---	250	---	---	---	---	---
RAM 1500	4x4	Reg Cab	No	8.0 Box	4.7L V8	3900	3900	6550	n/a	---	---	---	7167	---	---	200	---	---	---	---	---
RAM 1500	4x4	Quad Cab	No	6.3 Box	4.7L V8	3900	3900	6650	n/a	---	---	---	7167	---	---	350	---	---	---	---	---

Notes:
 1. Ballast amounts are based on a "Representative Vehicle," defined in the vehicle selection guide instructions, and must be modified for all other configurations for axle and GVWR compliance.
 25. Requires LT 235 series tires or larger.

2003 Dodge

Section 2 XBLADE™ & MC-Series Snowplows



Blade Length	7-1/2'	7-1/2'	8'	8'	8-1/2'	8-1/2'	9'	9'	9'	10'
Blade Assembly	X SS	X MS	X SS	X MS	X SS	X MS	X SS	X MS	MC	MC
Blade Part Number	27510	27512	28100	28200	28510	28520	29100	29200	29250	29350
Common Attachment Kit / Headgear Kit	28900	27777	28900	27777	28900	27777	28900	27777	29999	
A-Frame Kit	n/a								28665	
Hydraulic Kit	9840-2								9835-1	
Common Light	28800									
Choose Module	DRLs: 29070, Non-DRLs: 29060									
Choose a Hand-Held Control or a Joystick Control	9400									
	8292									

Model	Body Style	DRW	Box Option	Engine Type	Min F G A W R	Min R G A W R	Min G V W R	Peculiar Light Kit	MM2 system		Ballast Guidelines, lbs (1)											
									Peculiar Att. Kit	Notes												
RAM 2500	4x4	Reg Cab	No	8.0 Box	5.7L V8	5200	6000	8650			7170-2	2	400	400	450	450	450	450	500	500	---	---
RAM 2500	4x4	Reg Cab	No	8.0 Box	5.9L D HO	5200	6000	9000			7170-2	2,30	900	900	---	---	---	---	---	---	---	---
RAM 2500	4x4	Reg Cab	No	8.0 Box	8.0L V10	5200	6000	9000			7170-2	2	550	550	600	600	600	600	650	650	---	---
RAM 2500	4x4	Quad Cab	No	6.3 Box	5.7L V8	5200	6000	8800			7170-2	2	300	300	350	350	350	350	400	400	---	---
RAM 2500	4x4	Quad Cab	No	6.3 Box	8.0L V10	5200	6000	9000			7170-2	2	450	450	500	500	500	500	600	600	---	---
RAM 2500	4x4	Quad Cab	No	8.0 Box	5.7L V8	5200	6000	8800			7170-2	2	350	350	400	400	400	400	450	450	---	---
RAM 2500	4x4	Quad Cab	No	8.0 Box	8.0L V10	5200	6000	9000			7170-2	2	500	500	750	750	900	900	---	---	---	---
RAM 2500	4x4	All	No	Chassis	All	All	All	8501			7170-2	2	?	?	?	?	?	?	?	?	---	---
RAM 2500 SLT	4x4	Reg Cab	No	8.0 Box	5.7L V8	5200	6150	8650			7170-2	2	400	400	450	450	500	500	500	500	---	---
RAM 2500 SLT	4x4	Reg Cab	No	8.0 Box	8.0L V10	5200	6150	9000			7170-2	2	550	550	600	600	600	600	650	650	---	---
RAM 2500 SLT	4x4	Quad Cab	No	6.3 Box	5.7L V8	5200	6150	8800	HB5 use 29050		7170-2	2	300	300	350	350	400	400	400	400	---	---
RAM 2500 SLT	4x4	Quad Cab	No	6.3 Box	8.0L V10	5200	6150	9000			7170-2	2	450	450	600	600	750	750	900	900	---	---
RAM 2500 SLT	4x4	Quad Cab	No	8.0 Box	5.7L V8	5200	6150	8800			7170-2	2	350	350	400	400	450	450	450	450	---	---
RAM 2500 SLT	4x4	Quad Cab	No	8.0 Box	8.0L V10	5200	6150	9000			7170-2	2	750	750	---	---	---	---	---	---	---	---
RAM 3500	4x4	Reg Cab	Yes	8.0 Box	5.7L V8	5200	9350	11500			7170-2	2	---	---	---	---	200	200	200	200	---	---
RAM 3500	4x4	Reg Cab	Yes	8.0 Box	8.0L V10	5200	9350	11500			7170-2	2	---	---	---	---	600	600	750	750	---	---
RAM 3500	4x4	Quad Cab	Yes	8.0 Box	5.7L V8	5200	9350	11500			7170-2	2	---	---	---	---	150	150	200	200	---	---
RAM 3500	4x4	All	Yes	Chassis	All	All	All	8501			7170-2	2,30	---	---	---	---	?	?	?	?	---	---
RAM 3500	4x2	All	Yes	Chassis	All	All	All	10001			7170-2	2	---	---	---	---	?	?	?	?	---	---
RAM 3500 SLT	4x4	Reg Cab	Yes	8.0 Box	5.7L V8	5200	9350	11500			7170-2	2	---	---	---	---	200	200	250	250	---	---
RAM 3500 SLT	4x4	Reg Cab	Yes	8.0 Box	8.0L V10	5200	9350	11500			7170-2	2	---	---	---	---	850	850	1000	1000	---	---
RAM 3500 SLT	4x4	Quad Cab	Yes	8.0 Box	5.7L V8	5200	9350	11500			7170-2	2	---	---	---	---	150	150	200	200	---	---

- Notes:**
1. Ballast amounts are based on a "Representative Vehicle," defined in the vehicle selection guide instructions, and must be modified for all other configurations for axle and GVWR compliance.
 2. Recommended snowplow prep package whenever available.
 30. High output diesel engines require automatic transmission.

2003 Dodge

Section 3

EZ-V® & XtremeV™ Snowplows



Blade Length	7-1/2'	7-1/2'	8-1/2'	8-1/2'	9-1/2'	9-1/2'	8-1/2'	9-1/2'
Blade Assembly	XV SS	XV MS	XV SS	XV MS	XV SS	XV MS	EZ-V®	EZ-V®
Blade Part Number	44775	44675	44785	44685	44795	44695	28885	28895
Common Attachment Kit / Headgear Kit	44650	44600	44650	44600	44650	44600	28888	
Hydraulic Kit	n/a						9828-4	
Common Light	n/a						28800	
Choose Module	DRLs: 29070, Non-DRLs: 29060							
Choose a Hand-Held Control or a Joystick Control	29600						9800	
	29700						9900	

Model	Body Style	DRW	Box Option	Engine Type	Min F G A W R	Min R G A W R	Min G V W R	Peculiar Light Kit	MM2 system		Ballast Guidelines, lbs (1)								
									Peculiar Att.Kit	Notes	7170-2	2	400	400	450	450	550	550	400
RAM 2500	4x4	Reg Cab	No	8.0 Box	5.7L V8	5200	6000	8650	HB5 use 29050	7170-2	2	400	400	450	450	550	550	400	450
RAM 2500	4x4	Reg Cab	No	8.0 Box	8.0L V10	5200	6000	9000		7170-2	2	550	550	600	600	---	---	550	600
RAM 2500	4x4	Quad Cab	No	6.3 Box	5.7L V8	5200	6000	8800		7170-2	2	300	300	350	350	500	500	300	350
RAM 2500	4x4	Quad Cab	No	6.3 Box	8.0L V10	5200	6000	9000		7170-2	2	450	450	600	600	---	---	450	500
RAM 2500	4x4	Quad Cab	No	8.0 Box	5.7L V8	5200	6000	8800		7170-2	2	350	350	400	400	550	550	350	400
RAM 2500	4x4	Quad Cab	No	8.0 Box	8.0L V10	5200	6000	9000		7170-2	2	750	750	---	---	---	---	650	1000
RAM 2500	4x4	All	No	Chassis	All	All	All	8501		7170-2	2	?	?	?	?	?	?	?	?
RAM 2500 SLT	4x4	Reg Cab	No	8.0 Box	5.7L V8	5200	6150	8650		7170-2	2	450	450	500	500	600	600	400	450
RAM 2500 SLT	4x4	Reg Cab	No	8.0 Box	8.0L V10	5200	6150	9000		7170-2	2	600	600	650	650	---	---	550	600
RAM 2500 SLT	4x4	Quad Cab	No	6.3 Box	5.7L V8	5200	6150	8800		7170-2	2	350	350	400	400	500	500	300	350
RAM 2500 SLT	4x4	Quad Cab	No	6.3 Box	8.0L V10	5200	6150	9000		7170-2	2	600	600	900	900	---	---	450	800
RAM 2500 SLT	4x4	Quad Cab	No	8.0 Box	5.7L V8	5200	6150	8800		7170-2	2	400	400	450	450	550	550	350	400
RAM 2500 SLT	4x4	Quad Cab	No	8.0 Box	8.0L V10	5200	6150	9000		7170-2	2	---	---	---	---	---	---	950	---
RAM 3500	4x4	Reg Cab	Yes	8.0 Box	5.7L V8	5200	9350	11500		7170-2	2	---	---	200	200	300	300	100	150
RAM 3500	4x4	Reg Cab	Yes	8.0 Box	8.0L V10	5200	9350	11500		7170-2	2	---	---	750	750	---	---	350	700
RAM 3500	4x4	Quad Cab	Yes	8.0 Box	5.7L V8	5200	9350	11500		7170-2	2	---	---	150	150	750	750	100	150
RAM 3500	4x4	All	Yes	Chassis	All	All	All	8501		7170-2	2,30	---	---	?	?	?	?	?	?
RAM 3500	4x2	All	Yes	Chassis	All	All	All	10001		7170-2	2	---	---	?	?	?	?	?	?
RAM 3500 SLT	4x4	Reg Cab	Yes	8.0 Box	5.7L V8	5200	9350	11500		7170-2	2	---	---	200	200	300	300	150	200
RAM 3500 SLT	4x4	Reg Cab	Yes	8.0 Box	8.0L V10	5200	9350	11500		7170-2	2	---	---	1000	1000	---	---	600	950
RAM 3500 SLT	4x4	Quad Cab	Yes	8.0 Box	5.7L V8	5200	9350	11500		7170-2	2	---	---	150	150	900	900	100	150

- Notes:**
- Ballast amounts are based on a "Representative Vehicle," defined in the vehicle selection guide instructions, and must be modified for all other configurations for axle and GVWR compliance.
 - Recommended snowplow prep package whenever available.
 - High output diesel engines require automatic transmission.

2003 Toyota

Section 1

Homesteader™, LD-Series & M-Series Snowplows



Blade Length	6'-8"	7'-4"
Blade Assembly	Personal	Personal
Blade Part Number	27547	27549
Common Attachment Kit / Headgear Kit	27550	
Hydraulic Kit	27517	
Common Light	8435	
Choose Module	DRLs: 29070, Non-DRLs: 29060	
Choose a Hand-Held Control or a Joystick Control	9400	
	8292	



6'-9" LD	7'-1/2" LD	7'-1/2" RD M	8' HD M	8'-1/2" HD M	9' HD M
28069	27775	27500	28000	28500	29000
27750-1		27777			
9825-1		9840-2			
28800					
DRLs: 29070, Non-DRLs: 29060					
9400					
8292					

Model	Body Style	DRW	Box Option	Engine Type	Min F G A W R	Min R G A W R	Min G V W R	Peculiar Light Kit	Personal Plow system		Ballast Guidelines, lbs (1)	MM2 system		Ballast Guidelines, lbs (1)							
									Peculiar Att.Kit	Notes		Peculiar Att.Kit	Notes								
TACOMA	4x4	Reg Cab	No	8.0 Box	2.7L I4	2650	2800	5000	HB2 use 29051	2313	8	50	100	7166	21	---	---	---	---	---	---
TACOMA	4x4	Ext Cab	No	6.5 Box	2.7L I4	2650	2800	5000		2313	8	50	100	7166	21	---	---	---	---	---	---
TACOMA	4x4	Ext Cab	No	6.5 Box	3.4L V6	2650	2800	5100		2313	8	100	100	7166	21	---	---	---	---	---	---
TUNDRA	4x4	Reg Cab	No	8.0 Box	4.7L V8	3160	3760	6200		2303	8	---	300	n/a	---	---	---	---	---	---	---
TUNDRA	4x4	Ext Cab	No	6.5 Box	4.7L V8	3160	3760	6050		2303	8	---	450	n/a	---	---	---	---	---	---	---

- Notes:**
- Ballast amounts are based on a "Representative Vehicle," defined in the vehicle selection guide instructions, and must be modified for all other configurations for axle and GVWR compliance.
 - These Snowplows Are For Personal/Homeowner Use Only.
 - Requires 31X10.5/R15 tires or equivalent size minimum.

2003 Mitsubishi

Section 1

Homesteader™, LD-Series & M-Series Snowplows



Blade Length	6'-8"	7'-4"
Blade Assembly	Personal	Personal
Blade Part Number	27547	27549
Common Attachment Kit / Headgear Kit	27550	
Hydraulic Kit	27517	
Common Light	8435	
Choose Module	DRLs: 29070, Non-DRLs: 29060	
Choose a Hand-Held Control or a Joystick Control	9400	
	8292	



6'-9" LD	7'-1/2" LD	7'-1/2" RD M	8' HD M	8'-1/2" HD M	9' HD M
28069	27775	27500	28000	28500	29000
27750-1		27777			
9825-1		9840-2			
28800					
DRLs: 29070, Non-DRLs: 29060					
9400					
8292					

Model	Body Style	DRW	Box Option	Engine Type	Min FAWR	Min RAWR	Min GVWR	Peculiar Light Kit	Personal Plow system		Ballast Guidelines, lbs (1)	MM2 system		Ballast Guidelines, lbs (1)						
									Peculiar Att.Kit	Notes		Peculiar Att.Kit	Notes							
FG	4x4	All	Yes	Chassis	All	All	10001	HB5 use 29050 & 26641-1	n/a	---	---	---	7162-1	---	---	---	---	---	?	?

Notes:
 1. Ballast amounts are based on a "Representative Vehicle," defined in the vehicle selection guide instructions, and must be modified for all other configurations for axle and GVWR compliance.

2003 Mitsubishi

Section 2 XBLADE™ & MC-Series Snowplows



Blade Length	7-1/2'	7-1/2'	8'	8'	8-1/2'	8-1/2'	9'	9'	9'	10'
Blade Assembly	X SS	X MS	X SS	X MS	X SS	X MS	X SS	X MS	MC	MC
Blade Part Number	27510	27512	28100	28200	28510	28520	29100	29200	29250	29350
Common Attachment Kit / Headgear Kit	28900	27777	28900	27777	28900	27777	28900	27777	29999	
A-Frame Kit	n/a								28665	
Hydraulic Kit	9840-2								9835-1	
Common Light	28800									
Choose Module	DRLs: 29070, Non-DRLs: 29060									
Choose a Hand-Held Control	9400									
or a Joystick Control	8292									

Model	Body Style	DRW	Box Option	Engine Type	Min F G A W R	Min R G A W R	Min G V W R	Peculiar Light Kit	MM2 system		Ballast Guidelines, lbs (1)										
									Peculiar Att. Kit	Notes											
FG	4x4	All	Yes	Chassis	All	All	10001	HB5 use 29050 & 26641-1	7162-1	---	---	---	---	---	---	?	?	?	?	---	---

Notes:
1. Ballast amounts are based on a "Representative Vehicle," defined in the vehicle selection guide instructions, and must be modified for all other configurations for axle and GVWR compliance.

2003 Mitsubishi

Section 3

EZ-V® & XtremeV™ Snowplows



Blade Length	7-1/2'	7-1/2'	8-1/2'	8-1/2'	9-1/2'	9-1/2'	8-1/2'	9-1/2'
Blade Assembly	XV SS	XV MS	XV SS	XV MS	XV SS	XV MS	EZ-V®	EZ-V®
Blade Part Number	44775	44675	44785	44685	44795	44695	28885	28895
Common Attachment Kit / Headgear Kit	44650	44600	44650	44600	44650	44600	28888	
Hydraulic Kit	n/a						9828-4	
Common Light	n/a						28800	
Choose Module	DRLs: 29070, Non-DRLs: 29060							
Choose a Hand-Held Control or a Joystick Control	29600						9800	
	29700						9900	

Model	Body Style	DRW	Box Option	Engine Type	Min F G A W R	Min R G A W R	Min G V W R	Peculiar Light Kit	MM2 system		Ballast Guidelines, lbs (1)							
									Peculiar Att.Kit	Notes								
FG	4x4	All	Yes	Chassis	All	All	10001	HB5 use 29050 & 26641-1	7162-1	---	---	---	?	?	---	---	?	---

Notes:
 1. Ballast amounts are based on a "Representative Vehicle," defined in the vehicle selection guide instructions, and must be modified for all other configurations for axle and GVWR compliance.

2003 International

Section 2 XBLADE™ & MC-Series Snowplows



Blade Length	7-1/2'	7-1/2'	8'	8'	8-1/2'	8-1/2'	9'	9'	9'	10'
Blade Assembly	X SS	X MS	X SS	X MS	X SS	X MS	X SS	X MS	MC	MC
Blade Part Number	27510	27512	28100	28200	28510	28520	29100	29200	29250	29350
Common Attachment Kit / Headgear Kit	28900	27777	28900	27777	28900	27777	28900	27777	29999	
A-Frame Kit	n/a								28665	
Hydraulic Kit	9840-2								9835-1	
Common Light	28800									
Choose Module	DRLs: 29070, Non-DRLs: 29060									
Choose a Hand-Held Control	9400									
or a Joystick Control	8292									

Model	Body Style	DRW	Box Option	Engine Type	Min F G A W R	Min R G A W R	Min G V W R	Peculiar Light Kit	MM2 system		Ballast Guidelines, lbs (1)											
									Peculiar Att.Kit	Notes												
4000 SERIES	4x2	All	Yes	Chassis	All	All	10001	2B use 29053 & 29234 or HB5 use 29053 & 29235	7172	39	--	--	--	--	--	--	--	--	--	--	?	?

x

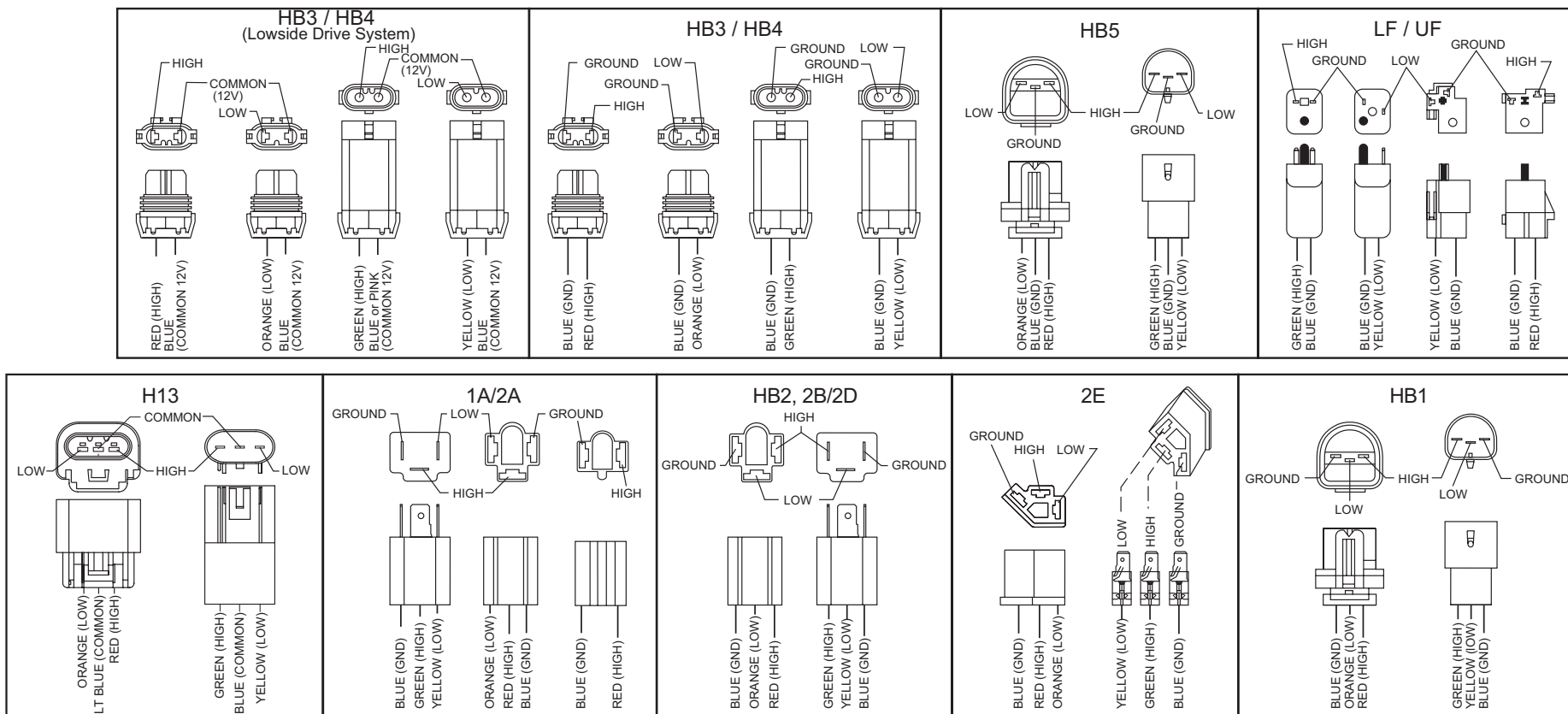
Notes:
 1. Ballast amounts are based on a "Representative Vehicle," defined in the vehicle selection guide instructions, and must be modified for all other configurations for axle and GVWR compliance.
 39. 27,500 max GVWR.

Headlamp Reference Guide

NOTE: The lamp type is usually embossed in the headlamp lens.

NOTE: Blue ground wires may be LT or DK BLU, w/ or w/o WHT stripe, depending on harness.

Headlamp Type	Bulb Type	Headlamp Type	Bulb Type
LF	H4703	2E1	H6545
UF	H4701	H13	9008
1A1	H4651	HB1	9004
2A1	H4652(GMC/Chevy)	HB2	9003
2A1	H4656 (Mitsubishi)	HB3	9005
2B1	H6054	HB4	9006
2D1	H6024	HB5	9007



Snowplow Component Weights

Off-Truck Assembly with Blade

Size	Blade Assembly	Wt (lb)	Z	Size	Blade Assembly	Wt (lb)	Z
6'-8"	Personal Plow	239	20.4	8-1/2'	XBLADE Plow	813	26.5
7'-4"	Personal Plow	257	20.8	9'	XBLADE Plow	835	27.0
6'-9"	LD	472	18.7	8-1/2'	EZ-V® Plow	808	16.0
7-1/2'	LD	487	19.7	9-1/2'	EZ-V Plow	870	16.0
7-1/2'	RD M	637	20.6	7-1/2'	XtremeV™ Snowplow	821	18.3
8'	HD M	717	26.4	8-1/2'	XtremeV Snowplow	876	18.2
8-1/2'	HD M	731	26.5	9-1/2'	XtremeV Snowplow	1005	18.1
9'	HD M	745	26.6	9'	MC	1350	25.5
7-1/2'	XBLADE™ Plow	742	24.5	10'	MC	1410	26.0
8'	XBLADE Plow	790	26.0				

On-Truck Attachment

Kit #	Wt (lb)	X	Y	Kit #	Wt (lb)	X	Y	Kit #	Wt (lb)	X	Y
Homesteader™ Kits											
1203	34.0	27.0	6.0	1533-1	31.0	26.0	5.0	31543	20.0	28.5	7.1
1213-1	23.0	26.0	6.0	2303	41.0	29.0	6.0	32323	36.0	30.0	7.3
1223	40.0	28.0	7.0	2313	30.0	27.0	5.0	33903	45.0	31.0	7.8
1233	34.0	32.0	7.1	3713-1	20.0	26.0	5.0	42021	37.0	29.0	8.0
1503	26.0	27.0	6.0	3723	35.0	21.4	5.0				
1523	26.0	30.0	6.0	31303	43.0	27.9	4.8				
Minute Mount® 2 Kits											
7124	48.0	29.0	7.0	7156-1	VARIABLES	VARIABLES	VARIABLES	7169	45.0	35.0	10.0
7125	48.0	32.0	8.0	7157	62.0	30.0	7.0	7170-2	54.0	36.0	7.0
7126	88.0	31.0	8.0	7158	55.0	29.0	7.0	7171	111.0	39.0	7.0
7128	110.0	31.0	8.0	7159-2	96.0	31.0	7.0	7172	174.0	39.0	9.8
7129	78.0	32.0	8.0	7160	44.0	32.0	8.0	7173	73.0	31.0	9.8
7131	126.0	31.0	8.0	7161	44.0	32.0	9.0	7174	37.0	32.0	7.1
7132	118.0	31.0	8.0	7162-1	127.0	38.0	7.0	7175	30.0	32.3	8.1
7138	48.0	32.0	8.0	7163-1	32.0	23.0	4.0	7176	52.0	34.6	10.2
7144	73.0	32.0	8.0	7164	173.0	31.0	8.0	7177	111.0	39.0	7.0
7150	60.0	31.0	8.0	7165	55.0	30.0	7.0	7178	37.0	32.5	8.1
7151-2	191.0	30.0	8.0	7166	49.0	31.0	7.0	7179	115.0	38.0	7.0
7152-1	215.0	31.0	8.0	7167	46.0	37.0	9.0	7180	45.0	34.0	8.5
7155	55.0	30.0	7.0	7168	44.0	35.0	9.0				

Accessories

Description	Kit #	Added Plow Weight
Cutting Edge 7-1/2' LD/RD	5532	59
Cutting Edge 8' HD	5533	84
Cutting Edge 8-1/2' HD	26460	91
Cutting Edge 9' HD	5534	95
Cutting Edge 7-1/2' XBLADE Plow	28575	59
Cutting Edge 8' XBLADE Plow	27580	84
Cutting Edge 8-1/2' XBLADE Plow	27585	91
Cutting Edge 9' XBLADE Plow	27590	95
Cutting Edge 8-1/2' EZ-V Plow	28408	82
Cutting Edge 9-1/2' EZ-V Plow	26593	103
Deflector - Rubber 7-1/2', 8', 8-1/2', 9' RD/HD	22470-1	29,31,33,35
Deflector - Rubber 7-1/2', 8', 8-1/2', 9' XBLADE Plow	27600-1	32,33,34,35
Deflector - Rubber 8-1/2' EZ-V Plow	21619	45
Deflector - Rubber 9-1/2' EZ-V Plow	26572	50
Deflector - Rubber 9' & 10' MC	22390	53
Deflector - Steel 6'-9"	22269	24
Deflector - Steel 7-1/2' LD/RD	283	28
Deflector - Steel 8'	26480	33
Deflector - Steel 8-1/2'	26485	35
Deflector - Steel 9'	26490	36
Poly Shoe Kit Personal Plow	27710	3.3
Shoe Kit LD Blades	27880	22
Shoe Kit XBLADE – Curb/Wear Shoe	27222	38
Curb Shoe Kit – Pair 1/2"	44405	35
Curb Shoe Kit – Pair 5/8"	44406	24
SnoFoil® Assembly for 7-1/2', 8', 8-1/2', 9' M	27100	50
SnoFoil Assembly 9' MC	22380	64
SnoFoil Assembly 10' MC	22200	66

NOTE: The addition of accessories to a snowplow or vehicle will require additional ballast above any amount published in this guide in order to maintain FMVSS compliance. Completed vehicle with additional accessories shall not exceed GVWR or GAWR.

NOTE: An abbreviation key is on page 2.

NOTE: See next page for variable definitions.

Snowplow Weight Calculation

Available vehicle capacities for aftermarket equipment and components can be determined by using the information in this guide along with information provided by the vehicle manufacturer's *Body Builder Guides*. Follow all requirements and recommendations of the vehicle manufacturer.

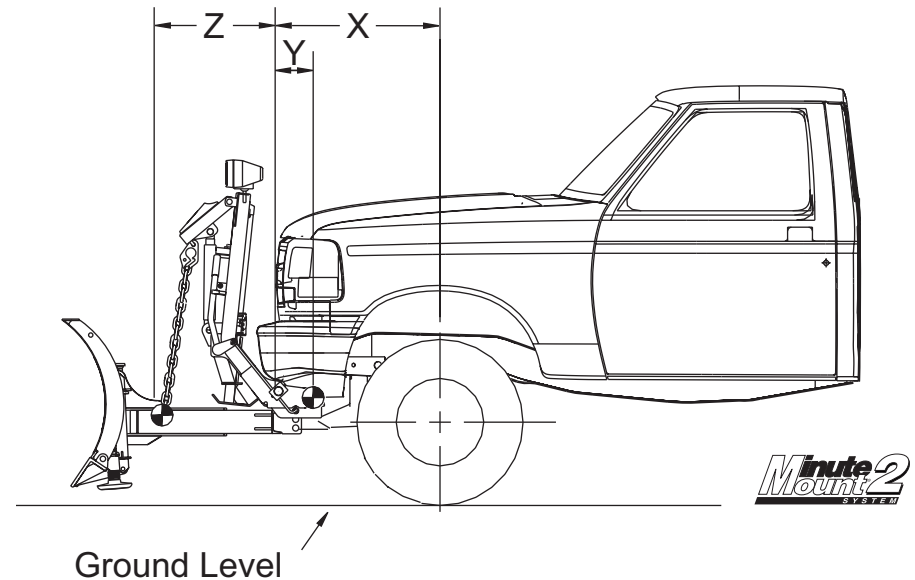
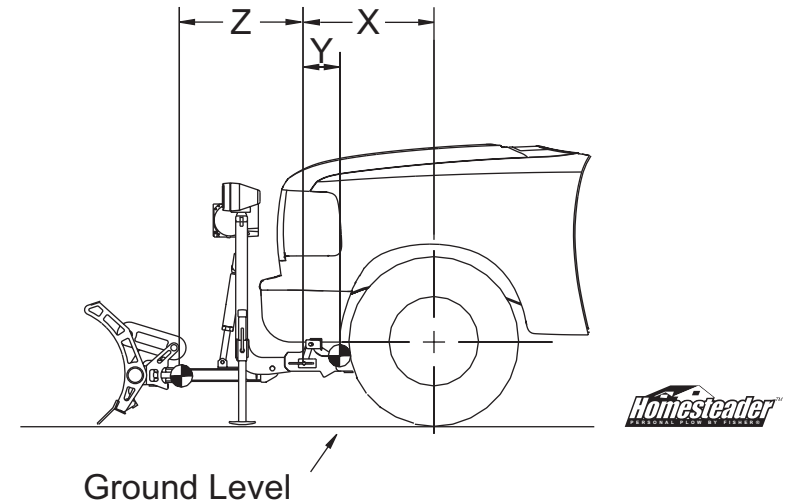
VARIABLES

X = Distance from front axle to connecting pin.

Y = Distance from connecting pin to attachment Cg.

Z = Distance from connecting pin to plow Cg.

NOTE: An abbreviation key is on page 2.



Ballast Inquiry Sheet



FISHER ENGINEERING
 P.O. Box 529
 Rockland, Maine 04841

Telephone (207) 701-4200
 Fax (207) 596-2767

DISTRIBUTOR		TEL
		FAX
CUSTOMER		DATE BUILT
VIN		

VEHICLE INFORMATION

YEAR			
MAKE			
MODEL			
DRIVE TRAIN	<input type="checkbox"/> 2WD (over 10,000 lb. GVW only)	<input type="checkbox"/> 4WD	<input type="checkbox"/> ALL WHEEL <input type="text"/> OTHER
DRW (Dual Rear Wheels)	<input type="checkbox"/> YES	<input type="checkbox"/> NO	
BODY STYLE	<input type="checkbox"/> REG CAB	<input type="checkbox"/> X-CAB	<input type="text"/> OTHER
BOX OPTION(S)	<input type="checkbox"/> DUMP BOX	<input type="checkbox"/> STAKE BED	<input type="text"/> OTHER
ENGINE TYPE			
GFAWR			
GRAWR			
GVWR			

HORIZONTAL DISTANCE DESCRIPTION

L31	DRIVER'S hip point; in MIDDLE position, to Centerline of FRONT axle	(in.)
L101	Between axles (Wheelbase)	(in.)
L104	Middle of FRONT bumper to centerline of FRONT axle	(in.)
	Middle of ballast location to centerline of REAR axle	(in.)

VEHICLE WEIGHT (TRUCK MUST BE WEIGHED COMPLETE AND EMPTY (-) OCCUPANTS, PLOW & MOUNT)

FRONT (lb.)	REAR (lb.)

FUEL TANKS (ONLY NEEDED IF WEIGHED VEHICLE NOT FULLY FUELED)

LEVEL (see below)	CAPACITY (gal.)	LOCATION FROM REAR AXLE TO CENTER OF TANK (in.)
FRONT OF REAR AXLE		
REAR OF REAR AXLE		

FUEL LEVEL (EMPTY = 0, HALF = 1/2, FULL = 1)

THIS FORM *MUST* BE COMPLETED IN ITS ENTIRETY. ANY FORMS CONTAINING INCOMPLETE INFORMATION *WILL NOT BE CONSIDERED*. PLEASE RETURN VIA FAX (207) 596-2767.

FISHER ENGINEERING and the vehicle manufacturer may require or recommend optional equipment for snow removal. See the FISHER ENGINEERING *Kit Selection Guide* for additional product information.



Fisher Engineering
P.O. Box 529
Rockland, ME 04841

 A SUBSIDIARY OF DOUGLAS DYNAMICS, L.L.C.

Fisher Engineering reserves the right under its product improvement policy to change construction or design details and furnish equipment when so altered without reference to illustrations or specifications used. Fisher Engineering or the vehicle manufacturer may require or recommend optional equipment for snow removal. Do not exceed vehicle ratings with a snowplow. Fisher Engineering offers a limited warranty for all snowplows and accessories. See separately printed page for this important information. The following are registered (®) or unregistered (™) trademarks of Douglas Dynamics, L.L.C.: EZ-V®, FISHER®, Fish-Stik®, Homesteader™, Insta-Act®, Minute Mount® 2, SnoFoil®, XBLADE™, XtremeV™.

Printed in U.S.A.