



**FISHER® Snowplows  
w/3-Port Isolation Module  
Kit Selection Guide  
2004 Model Year**

***Minute<sup>2</sup>*  
Mount<sup>®</sup>  
SYSTEM**

***Homesteader*<sup>™</sup>  
PERSONAL PLOW BY FISHER®**

May 1, 2006  
Lit. No. 29304  
Rev. 00

Fisher Engineering  
P.O. Box 529  
Rockland, Maine 04841

This document supersedes all editions with an earlier date.

## Table of Contents

General Information .....	3	Toyota Attachment Kits .....	37
Selection Example .....	4	Mitsubishi Attachment Kits .....	38
General Motors Attachment Kits .....	5	International Attachment Kits .....	41
Ford Attachment Kits .....	13	Headlamp Reference Guide .....	42
Dodge Attachment Kits .....	30	Snowplow Component Weights .....	43
Jeep Attachment Kits .....	34	Snowplow Weight Calculation .....	44
Mazda Attachment Kits .....	35	Ballast Inquiry Sheet .....	45
Nissan Attachment Kits .....	36		

Abbreviation Key			
(2L)	Two-Lamp Light System	HYD	Hydraulic
(4L)	Four-Lamp Light System	KSG	Kit Selection Guide
2WD	Two Wheel Drive	LD	Light Duty
4WS	Four Wheel Steering (Option Code NYS)	M/C	Municipal / Commercial
ABS	Anti-Locking Braking System	MM2	Minute Mount® 2 System
AC	Air Conditioning	MS	Mild Steel
ALT	Alternator	OHC	Overhead Cam
AT	Automatic Transmission	PEC	Peculiar
Cg	Center of Gravity	RD	Regular Duty
D.I.	Direct Injection	SEHP	Solenoid Electric Hydraulic Pak
DRL	Daytime Running Lamps	SS	Stainless Steel
DRW	Dual Rear Wheel	SUV	Sport Utility Vehicle
FFV	Flex Fuel Vehicle	W/	With
FGAWR	Front Gross Axle Weight Rating	W/O	Without
GAWR	Gross Axle Weight Rating	W/WO	With or Without
GVWR	Gross Vehicle Weight Rating	WB	Wheelbase
HD	Heavy Duty	X	XBLADE™ Snowplow
HO	High Output	XV	XtremeV™ Snowplow

# FISHER® Snowplows Kit Selection Guide – 2004 Model Year

## ⚠ WARNING

**New untitled vehicle installation of a snowplow requires National Highway Traffic Safety Administration altered vehicle certification labeling. Installer to verify that selected snowplow and ballast, if required, do not exceed GVWR or GAWR rating label and complies with FMVSS.**

## ⚠ WARNING

**Do not exceed GVWR or GAWR, including blade and ballast. The rating label is found on the driver-side vehicle door cornerpost.**

## General Information

The *Kit Selection Guide (KSG)* is designed to help you determine the appropriate snowplow components for a particular snowplow vehicle application. The information published in this guide is based on Federal Motor Vehicle Safety Standards (FMVSS) and a "representative" snowplow vehicle as defined in this guide. The vehicle includes a combined weight of 300 lb for occupants in the front seat location.

This *KSG* is for specific model year vehicles only and is listed on the front cover of this guide. This guide should be saved for future reference. New kit selection guides will be published for the upcoming model year and so on. The instructions on page 4 explain how to use the *Kit Selection Guide*.

## The "Representative Vehicle"

Knowing that today's snowplow vehicles come in a variety of sizes and configurations (such as wheel base, engine size, and handling packages), Fisher Engineering has defined a "representative vehicle" that contains the options most likely to appear on a typical snowplow application. The "representative vehicle" includes the following options:

- 4X4 Drivetrain (unless noted)
- Spare Tire & Wheel
- Automatic Transmission
- Rear Bumper
- Air Conditioning
- Full Fluids

**NOTE: If the vehicle in question does not match a vehicle listing in the *Kit Selection Guide*, or has options that differ from the "Representative Vehicle" as defined earlier, the ballast inquiry sheet must be filled out and submitted in order to determine plow availability and correct ballast amounts to maintain FMVSS compliance. Completed vehicle at no time shall exceed GVWR or GAWR.**

## Snowplow Product

Snowplows are considered motor vehicle equipment. The installer is ultimately responsible for determining and correctly labeling the vehicle with the addition of snowplow selection. No product selected and installed shall render inoperative the vehicle's safety compliance.

## Product Changes

All information is as accurate as we can determine but is subject to revision with additional or more

complete information. Fisher Engineering reserves the right under its product improvement policy to change construction or design details and furnish equipment when so altered without reference to illustrations or specifications used. Fisher Engineering or the vehicle manufacturer may require or recommend optional equipment for snow removal.

## Ballast

When ballast is required it must be secured behind the rear wheels in a manner which prevents it from sliding during normal driving. Ballast shall not exceed 1000 lb.

Fisher Engineering offers an optional ballast retainer kit (62849) for this purpose.

**NOTE: The Universal Attachment Kit is recommended for vehicles with a minimum of 5,000 pounds FGAWR only. Vehicles shall be rated between 14,000 and 27,500 GVWR for 9' MC and 10' MC snowplow installations. Snowplow and ballast or second unit bodies must comply with vehicle manufacturer's stated maximum gross vehicle weight (GVWR) and axle weight (GAWR) ratings. Vehicles must measure minimum of 22.5" from road to bottom of front frame for proper installation. Ballast Inquiry Sheet, if completed in full, can be faxed to (207) 596-2767 for assistance in snowplow and ballast recommendations. Weights for all snowplow products can be found in the current *Kit Selection Guide*. Snowplow headlamp kit must conform to vehicle lamp type.**

## Selection Example: Acme Motors 15000 VX with Minute Mount® 2 System

- Go to the section for the appropriate manufacturer.
- Go to the subsection for the desired snowplow type:
  - **Section 1:** Homesteader™, LD-Series & M-Series Snowplows
  - **Section 2:** XBLADE™ & MC-Series Snowplows
  - **Section 3:** EZ-V® & XtremeV™ Snowplows
- Start at the left-most column, find the **model** and appropriate configuration for the vehicle. In this case, 4X4, Regular Cab, 6.5 ft box, 5.3L V8 engine, 3925 Min. FGAWR.
- Locate the **peculiar light kit** for this vehicle: 29048. See Headlamp Reference Guide in the back of the *Kit Selection Guide* for more information.
- Locate the **peculiar attachment kit** for this vehicle: 1523 for Homesteader™ system or 7168 for Minute Mount® 2 system. Refer to any footnotes concerning conditions or requirements. For this example, the Minute Mount 2 system is selected and has two footnotes: 1 and 6.
- Locate the acceptable **blades** at the top of the table. Only those blades with ballast weights listed are valid applications. Three short dashes (---) indicate an invalid application. A question mark (?) indicates a ballast inquiry sheet must be completed.
- For this example, there are four acceptable blades. Choose the 8' HD M. This blade requires 600 lb of ballast.
- To order components for a complete snowplow package, read down from the top of the selected blade column to determine the part numbers. Be sure to select *one* Isolation Module, either DRL or Non-DRL, and *one* control, either joystick or hand-held. For this example, the part numbers would be:
  - 28000 (blade)
  - 27777 (common attachment / headgear kit)
  - 9840-2 (hydraulic kit)
  - 28800 (common light kit)
  - 29070 or 29060 (module)
  - 9400 or 8292 (control)
  - 29048 (peculiar light kit, from Step 4)
  - 7168 (peculiar attachment kit, from Step 5 – *must match blade*)

### 2004 Acme Motors

#### Section 1

#### Homesteader™, LD-Series & M-Series Snowplows

Model	Body Style	DRW	Box Option	Engine Type	Min FGAWR	Min RGAWR	Min GVWR	Peculiar Light Kit	Personal Plow system		Ballast Guidelines, lbs (1)	MM2 system		Ballast Guidelines, lbs (1)							
									Peculiar Att.Kit	Notes		Peculiar Att.Kit	Notes	6'-9" LD	7'-1/2' LD	7'-1/2' RD M	8' HD M	8-1/2' HD M	9' HD M		
15000 RS	4x4	Reg Cab	No	6.5 Box	4.3L V6	3925	3750	6400	HB3/HB4 use 29048	1523	3,6,8	---	100	7168	6	---	300	450	550	600	---
15000 TU	4x4	Reg Cab	No	6.5 Box	4.8L V8	3925	3750	6400		1523	3,6,8	---	150	7168	6	---	350	500	650	650	---
15000 VX	4x4	Reg Cab	No	6.5 Box	5.3L V8	3925	3750	6400		1523	3,6,8	---	100	7168	6	---	350	500	600	600	---

Homesteader™		Minute Mount® 2	
Blade Length	Blade Assembly	Blade Part Number	Blade Part Number
6'-8"	Personal	27547	27549
7'-4"	Personal	27550	27551
Common Attachment Kit / Headgear Kit		27550	
Hydraulic Kit		27517	
Common Light		8435	
Choose Module		DRLs: 29070, Non-DRLs: 29060	
Choose a Hand-Held Control or a Joystick Control		9400	
		8292	

Minute Mount® 2		8'	
Blade Length	Blade Assembly	Blade Part Number	Blade Part Number
6'-9"	LD	28069	27775
7'-1/2"	LD	27500	28000
7'-1/2"	RD M	27500	28500
8'	HD M	28000	28500
8-1/2"	HD M	28500	29000
9'	HD M	29000	---
Common Attachment Kit / Headgear Kit		27777	
Hydraulic Kit		9840-2	
Common Light		28800	
Choose Module		DRLs: 29070, Non-DRLs: 29060	
Choose a Hand-Held Control or a Joystick Control		9400	
		8292	

- Notes:**
- Ballast amounts are based on a "Representative Vehicle," defined in the vehicle selection guide instructions, and must be modified for all other configurations for axle and GVWR compliance.
  - Requires bumper notching.

- All New Style Only (2nd # in model # is 5 not 0) example: K15903. Refer to label in glove box for model number.
- These Snowplows Are For Personal/Homeowner Use Only.

# 2004 General Motors

## Section 1

### Homesteader™, LD-Series & M-Series Snowplows



Blade Length	6'-8"	7'-4"
Blade Assembly	Personal	Personal
Blade Part Number	27547	27549
Common Attachment Kit / Headgear Kit	27550	
Hydraulic Kit	27517	
Common Light	8435	
Choose Module	DRLs: 29070, Non-DRLs: 29060	
Choose a Hand-Held Control or a Joystick Control	9400	
	8292	



6'-9" LD	7'-1/2" LD	7'-1/2" RD M	8' HD M	8-1/2' HD M	9' HD M
28069	27775	27500	28000	28500	29000
27750-1			27777		
9825-1			9840-2		
28800					
DRLs: 29070, Non-DRLs: 29060					
9400					
8292					

Model	Body Style	DRW	Box Option	Engine Type	Min F G A W R	Min R G A W R	Min G V W R	Peculiar Light Kit	Personal Plow system		Ballast Guidelines, lbs (1)		MM2 system		Ballast Guidelines, lbs (1)							
									Peculiar Att. Kit	Notes	Peculiar Att. Kit	Notes	Peculiar Att. Kit	Notes								
TRAILBLAZER EXT/ENVOY XL	4x4	SU-4DR	No	---	4.2L I6	3200	3400	6400	HB3/HB4 use 29052	1533-1	8	0	0	n/a	---	---	---	---	---	---	---	---
TRAILBLAZER EXT/ENVOY XL	4x4	SU-4DR	No	---	5.3L V8	3200	3400	6400		1533-1	8	0	0	n/a	---	---	---	---	---	---	---	---
BLAZER	4x4	SU-4DR	No	---	4.3L V6	2800	2700	5350		1503	8,16	0	0	n/a	---	---	---	---	---	---	---	---
AVALANCHE 1500	4x4	---	No	---	5.3L V8	3800	4000	7000		1523	3,6,8	---	0	7168	6	---	200	---	---	---	---	---
TAHOE/YUKON 1500	4x4	SU-4DR	No	---	4.8L V8	4180	6000	6900		1523	3,6,8	---	0	7160	6	---	0	50	150	---	---	---
TAHOE/YUKON 1500	4x4	SU-4DR	No	---	4.8L V8	4180	6000	6800		1523	3,6,8	---	0	7160	6	---	0	50	150	---	---	---
TAHOE/YUKON 1500	4x4	SU-4DR	No	---	4.8L V8	3800	4000	6900		1523	3,6,8	---	0	7160	6	---	0	250	---	---	---	---
TAHOE/YUKON 1500	4x4	SU-4DR	No	---	4.8L V8	3400	4000	6800		1523	3,6,8	---	0	7160	6	---	---	---	---	---	---	---
TAHOE/YUKON 1500	4x4	SU-4DR	No	---	5.3L V8	4180	6000	6900		1523	3,6,8	---	0	7160	6	---	0	0	150	---	---	---
TAHOE/YUKON 1500	4x4	SU-4DR	No	---	5.3L V8	4180	6000	6800		1523	3,6,8	---	0	7160	6	---	0	0	150	---	---	---
TAHOE/YUKON 1500	4x4	SU-4DR	No	---	5.3L V8	3800	4000	6900		1523	3,6,8	---	0	7160	6	---	0	250	---	---	---	---
TAHOE/YUKON 1500	4x4	SU-4DR	No	---	5.3L V8	3400	4000	6800		1523	3,6,8	---	0	7160	6	---	---	---	---	---	---	---
YUKON DENALI	AWD	SU-4DR	No	---	6.0L V8	3350	4000	7000		1523	3,6,8	---	0	7168	3,6	---	---	---	---	---	---	---
YUKON XL DENALI	AWD	SU-4DR	No	---	6.0L V8	3600	4000	7200	HB3/HB4 use 29048	1523	3,6,8	---	0	7168	3,6	---	---	---	---	---	---	---
SUBURBAN/YUKON XL 1500	4x4	SU-4DR	No	---	5.3L V8	3600	4000	7200		1523	3,6,8	---	0	7160	3,6	---	---	---	---	---	---	---
SUBURBAN/YUKON XL 1500	4x4	SU-4DR	No	---	5.3L BIF	3600	4000	7200		1523	3,6,8	---	0	7160	3,6	---	---	---	---	---	---	---
AVALANCHE 2500	4x4	---	No	---	8.1L V8	4500	5500	8600		n/a	---	---	---	7169	6	---	---	600	---	---	---	---
AVALANCHE 2500	4x4	---	No	---	8.1L V8	4380	5500	8600		n/a	---	---	---	7169	6	---	---	1000	---	---	---	---
SUBURBAN/YUKON XL 2500 w/4WS	4x4	SU-4DR	No	---	6.0L V8	4500	5360	8600		n/a	---	---	---	7161	3	---	0	0	0	---	---	---
SUBURBAN/YUKON XL 2500 w/4WS	4x4	SU-4DR	No	---	6.0L V8	4180	5360	8600		n/a	---	---	---	7161	3	---	0	300	---	---	---	---
SUBURBAN/YUKON XL 2500 w/4WS	4x4	SU-4DR	No	---	6.0L V8	4100	5360	8600		n/a	---	---	---	7161	3	---	0	---	---	---	---	---
SUBURBAN/YUKON XL 2500 w/4WS	4x4	SU-4DR	No	---	8.1L V8	4500	5360	8600		n/a	---	---	---	7161	3	---	0	250	---	---	---	---
SUBURBAN/YUKON XL 2500	4x4	SU-4DR	No	---	6.0L V8	4500	5360	8600		n/a	---	---	---	7161	3	---	0	0	0	---	---	---
SUBURBAN/YUKON XL 2500	4x4	SU-4DR	No	---	6.0L V8	4180	5360	8600		n/a	---	---	---	7161	3	---	0	250	---	---	---	---
SUBURBAN/YUKON XL 2500	4x4	SU-4DR	No	---	6.0L V8	4100	5360	8600		n/a	---	---	---	7161	3	---	0	---	---	---	---	---
SUBURBAN/YUKON XL 2500	4x4	SU-4DR	No	---	8.1L V8	4500	5360	8600		n/a	---	---	---	7161	3	---	0	250	---	---	---	---
COLORADO/CANYON Z71	4x4	Reg Cab	No	6.1 Box	2.8L I4	2800	2700	5150		31543	3,8	50	50	7175	3	550	650	---	---	---	---	---
COLORADO/CANYON Z71	4x4	Reg Cab	No	6.1 Box	2.8L I4	2753	2896	5150		31543	3,8	50	50	7175	3	750	800	---	---	---	---	---
COLORADO/CANYON Z71	4x4	Reg Cab	No	6.1 Box	3.5L I5	2800	2700	5150		31543	3,8	50	100	7175	3	700	---	---	---	---	---	---
COLORADO/CANYON Z71	4x4	Reg Cab	No	6.1 Box	3.5L I5	2753	2896	5150		31543	3,8	50	100	7175	3	---	---	---	---	---	---	---
COLORADO/CANYON Z71	4x4	Ext Cab	No	6.1 Box	2.8L I4	2753	2896	5300		31543	3,8	50	100	7175	3	---	---	---	---	---	---	---
COLORADO/CANYON Z71	4x4	Ext Cab	No	6.1 Box	2.8L I4	2700	2900	5300		31543	3,8	150	250	7175	3	---	---	---	---	---	---	---
COLORADO/CANYON Z71	4x4	Ext Cab	No	6.1 Box	3.5L I5	2753	2896	5300		31543	3,8	100	200	7175	3	---	---	---	---	---	---	---
COLORADO/CANYON Z71	4x4	Ext Cab	No	6.1 Box	3.5L I5	2700	2900	5300	HB3/HB4 US use 29048 or HB3/HB4 Canada use 29048	31543	3,8	300	400	7175	3	---	---	---	---	---	---	---

- Notes:
- Ballast amounts are based on a "Representative Vehicle," defined in the vehicle selection guide instructions, and must be modified for all other configurations for axle and GVWR compliance.
  - Requires bumper notching.

- All New Style Only (2nd # in model # is 5 not 0) example: K15903. Refer to label in glove box for model number.
- These Snowplows Are For Personal/Homeowner Use Only.

# 2004 General Motors

## Section 1 Homesteader™, LD-Series & M-Series Snowplows



Blade Length	6'-8"	7'-4"
Blade Assembly	Personal	Personal
Blade Part Number	27547	27549
Common Attachment Kit / Headgear Kit	27550	
Hydraulic Kit	27517	
Common Light	8435	
Choose Module	DRLs: 29070, Non-DRLs: 29060	
Choose a Hand-Held Control or a Joystick Control	9400	
	8292	



6'-9" LD	7'-1/2" LD	7'-1/2" RD M	8' HD M	8-1/2" HD M	9' HD M
28069	27775	27500	28000	28500	29000
27750-1			27777		
9825-1			9840-2		
28800					
DRLs: 29070, Non-DRLs: 29060					
9400					
8292					

Model	Body Style	DRW	Box Option	Engine Type	Min F G A W R	Min R G A W R	Min G V W R	Peculiar Light Kit	Personal Plow system		Ballast Guidelines, lbs (1)	MM2 system		Ballast Guidelines, lbs (1)									
									Peculiar Att.Kit	Notes		Peculiar Att.Kit	Notes										
COLORADO/CANYON Z71	4x4	Crew Cab	No	5.0 Box	2.8L I4	2753	2896	5300	HB3/HB4 US use 29048 or HB3/HB4 Canada use 29048	31543	3.8	0	50	7175	3	---	---	---	---	---	---	---	
COLORADO/CANYON Z71	4x4	Crew Cab	No	5.0 Box	2.8L I4	2700	2900	5300		31543	3.8	150	250	7175	3	---	---	---	---	---	---	---	---
COLORADO/CANYON Z71	4x4	Crew Cab	No	5.0 Box	3.5L I5	2753	2896	5300		31543	3.8	200	300	7175	3	---	---	---	---	---	---	---	---
COLORADO/CANYON Z71	4x4	Crew Cab	No	5.0 Box	3.5L I5	2700	2900	5300		31543	3.8	400	500	7175	3	---	---	---	---	---	---	---	---
COLORADO/CANYON Z85	4x4	Reg Cab	No	6.1 Box	2.8L I4	2800	2700	5150		31543	3.8	50	50	7175	3	550	650	---	---	---	---	---	---
COLORADO/CANYON Z85	4x4	Reg Cab	No	6.1 Box	2.8L I4	2753	2896	5150		31543	3.8	50	50	7175	3	700	800	---	---	---	---	---	---
COLORADO/CANYON Z85	4x4	Reg Cab	No	6.1 Box	3.5L I5	2800	2700	5150		31543	3.8	50	100	7175	3	700	---	---	---	---	---	---	---
COLORADO/CANYON Z85	4x4	Reg Cab	No	6.1 Box	3.5L I5	2753	2896	5150		31543	3.8	50	100	7175	3	---	---	---	---	---	---	---	---
COLORADO/CANYON Z85	4x4	Ext Cab	No	6.1 Box	2.8L I4	2753	2896	5300		31543	3.8	50	50	7175	3	---	---	---	---	---	---	---	---
COLORADO/CANYON Z85	4x4	Ext Cab	No	6.1 Box	2.8L I4	2700	2900	5300		31543	3.8	100	200	7175	3	---	---	---	---	---	---	---	---
COLORADO/CANYON Z85	4x4	Ext Cab	No	6.1 Box	3.5L I5	2753	2896	5300		31543	3.8	100	200	7175	3	---	---	---	---	---	---	---	---
COLORADO/CANYON Z85	4x4	Ext Cab	No	6.1 Box	3.5L I5	2700	2900	5300		31543	3.8	300	400	7175	3	---	---	---	---	---	---	---	---
COLORADO/CANYON Z85	4x4	Crew Cab	No	5.0 Box	2.8L I4	2753	2896	5300		31543	3.8	0	50	7175	3	---	---	---	---	---	---	---	---
COLORADO/CANYON Z85	4x4	Crew Cab	No	5.0 Box	2.8L I4	2700	2900	5300		31543	3.8	150	250	7175	3	---	---	---	---	---	---	---	---
COLORADO/CANYON Z85	4x4	Crew Cab	No	5.0 Box	3.5L I5	2753	2896	5300		31543	3.8	200	300	7175	3	---	---	---	---	---	---	---	---
COLORADO/CANYON Z85	4x4	Crew Cab	No	5.0 Box	3.5L I5	2700	2900	5300	31543	3.8	400	500	7175	3	---	---	---	---	---	---	---	---	
K1500 SILV/SIERRA	4x4	Reg Cab	No	6.5 Box	4.3L V6	3925	3750	6400	HB3/HB4 use 29048	1523	3.6,8	---	100	7168	6	---	350	450	600	600	---	---	
K1500 SILV/SIERRA	4x4	Reg Cab	No	6.5 Box	4.3L V6	3200	3400	6400		1523	3.6,8	---	100	7168	6	---	---	---	---	---	---	---	---
K1500 SILV/SIERRA	4x4	Reg Cab	No	6.5 Box	4.3L V6	3150	3686	6400		1523	3.6,8	---	250	7168	6	---	---	---	---	---	---	---	---
K1500 SILV/SIERRA	4x4	Reg Cab	No	6.5 Box	4.8L V8	3925	3750	6400		1523	3.6,8	---	150	7168	6	---	350	500	600	650	---	---	---
K1500 SILV/SIERRA	4x4	Reg Cab	No	6.5 Box	4.8L V8	3200	3400	6400		1523	3.6,8	---	400	7168	6	---	---	---	---	---	---	---	---
K1500 SILV/SIERRA	4x4	Reg Cab	No	6.5 Box	4.8L V8	3150	3686	6400		1523	3.6,8	---	600	7168	6	---	---	---	---	---	---	---	---
K1500 SILV/SIERRA	4x4	Reg Cab	No	6.5 Box	5.3L V8	3925	3750	6400		1523	3.6,8	---	150	7168	6	---	350	500	600	650	---	---	---
K1500 SILV/SIERRA	4x4	Reg Cab	No	6.5 Box	5.3L V8	3200	3400	6400		1523	3.6,8	---	400	7168	6	---	---	---	---	---	---	---	---
K1500 SILV/SIERRA	4x4	Reg Cab	No	6.5 Box	5.3L V8	3150	3686	6400		1523	3.6,8	---	600	7168	6	---	---	---	---	---	---	---	---
K1500 SILV/SIERRA	4x4	Reg Cab	No	8.0 Box	4.3L V6	3925	3750	6400		1523	3.6,8	---	150	7168	6	---	350	450	600	600	---	---	---
K1500 SILV/SIERRA	4x4	Reg Cab	No	8.0 Box	4.3L V6	3200	3400	6400		1523	3.6,8	---	350	7168	6	---	---	---	---	---	---	---	---
K1500 SILV/SIERRA	4x4	Reg Cab	No	8.0 Box	4.8L V8	3925	3750	6400		1523	3.6,8	---	150	7168	6	---	400	500	650	---	---	---	---
K1500 SILV/SIERRA	4x4	Reg Cab	No	8.0 Box	4.8L V8	3200	3400	6400		1523	3.6,8	---	700	7168	6	---	---	---	---	---	---	---	---
K1500 SILV/SIERRA	4x4	Reg Cab	No	8.0 Box	5.3L V8	3925	3750	6400		1523	3.6,8	---	150	7168	6	---	400	500	700	---	---	---	---
K1500 SILV/SIERRA	4x4	Reg Cab	No	8.0 Box	5.3L V8	3200	3400	6400		1523	3.6,8	---	700	7168	6	---	---	---	---	---	---	---	---
K1500 SILV/SIERRA	4x4	Ext Cab	No	6.5 Box	4.8L V8	4180	6000	6900		1523	3.6,8	---	150	7168	6	---	400	500	600	650	---	---	---
K1500 SILV/SIERRA	4x4	Ext Cab	No	6.5 Box	4.8L V8	3925	3750	6400		1523	3.6,8	---	150	7168	6	---	400	---	---	---	---	---	---
K1500 SILV/SIERRA	4x4	Ext Cab	No	6.5 Box	4.8L V8	3800	4000	6900		1523	3.6,8	---	150	7168	6	---	400	---	---	---	---	---	---
K1500 SILV/SIERRA	4x4	Ext Cab	No	6.5 Box	5.3L V8	4180	6000	6900		1523	3.6,8	---	150	7168	6	---	400	500	600	650	---	---	---
K1500 SILV/SIERRA	4x4	Ext Cab	No	6.5 Box	5.3L V8	3925	3750	6400		1523	3.6,8	---	150	7168	6	---	400	---	---	---	---	---	---
K1500 SILV/SIERRA	4x4	Ext Cab	No	6.5 Box	5.3L V8	3800	4000	6900		1523	3.6,8	---	150	7168	6	---	400	---	---	---	---	---	---

Notes:  
 1. Ballast amounts are based on a "Representative Vehicle," defined in the vehicle selection guide instructions, and must be modified for all other configurations for axle and GVWR compliance.  
 2. Requires bumper notching.  
 3. All New Style Only (2nd # in model # is 5 not 0) example: K15903. Refer to label in glove box for model number.  
 4. These Snowplows Are For Personal/Homeowner Use Only.

# 2004 General Motors

## Section 1

### Homesteader™, LD-Series & M-Series Snowplows



Blade Length	6'-8"	7'-4"
Blade Assembly	Personal	Personal
Blade Part Number	27547	27549
Common Attachment Kit / Headgear Kit	27550	
Hydraulic Kit	27517	
Common Light	8435	
Choose Module	DRLs: 29070, Non-DRLs: 29060	
Choose a Hand-Held Control or a Joystick Control	9400 8292	



6'-9" LD	7'-1/2" LD	7'-1/2" RD M	8' HD M	8'-1/2" HD M	9' HD M
28069	27775	27500	28000	28500	29000
27750-1		27777			
9825-1		9840-2			
28800					
DRLs: 29070, Non-DRLs: 29060					
9400					
8292					

Model	Body Style	DRW	Box Option	Engine Type	Min F G A W R	Min R G A W R	Min G V W R	Peculiar Light Kit	Personal Plow system		Ballast Guidelines, lbs (1)	MM2 system		Ballast Guidelines, lbs (1)							
									Peculiar Att.Kit	Notes		Peculiar Att.Kit	Notes								
K1500 SILV/SIERRA	4x4	Ext Cab	No	8.0 Box	4.8L V8	3925	3750	6400	1523	3,6,8	---	150	7168	6	---	350	---	---	---	---	---
K1500 SILV/SIERRA	4x4	Ext Cab	No	8.0 Box	5.3L V8	3925	3750	6400	1523	3,6,8	---	150	7168	6	---	350	---	---	---	---	---
K1500 SILV/SIERRA w/4WS	4x4	Ext Cab	No	6.5 Box	4.8L V8	4180	6000	6900	1523	3,6,8	---	0	7168	6	---	150	300	400	400	400	---
K1500 SILV/SIERRA w/4WS	4x4	Ext Cab	No	6.5 Box	4.8L V8	3800	4000	6900	1523	3,6,8	---	0	7168	6	---	400	---	---	---	---	---
K1500 SILV/SIERRA w/4WS	4x4	Ext Cab	No	6.5 Box	5.3L V8	4180	6000	6900	1523	3,6,8	---	0	7168	6	---	150	300	400	400	400	---
K1500 SILV/SIERRA w/4WS	4x4	Ext Cab	No	6.5 Box	5.3L V8	3800	4000	6900	1523	3,6,8	---	0	7168	6	---	400	---	---	---	---	---
SIERRA DENALI w/4WS	4x4	Ext Cab	No	---	6.0L V8	3925	4000	7200	1523	3,6,8	---	0	7168	3,6	---	150	750	---	---	---	---
SIERRA DENALI w/4WS	4x4	Ext Cab	No	---	6.0L V8	3600	4000	7200	1523	3,6,8	---	150	7168	3,6	---	---	---	---	---	---	---
SIERRA DENALI	4x4	Ext Cab	No	---	6.0L V8	3925	4000	7200	1523	3,6,8	---	150	7168	3,6	---	350	700	---	---	---	---
SIERRA DENALI	4x4	Ext Cab	No	---	6.0L V8	3600	4000	7200	1523	3,6,8	---	150	7168	3,6	---	---	---	---	---	---	---
K2500 SILV/SIERRA	4x4	Ext Cab	No	6.5 Box	6.0L V8	4410	6000	8600	n/a	---	---	---	7169	6	---	---	450	550	550	600	---
K2500 SILV/SIERRA	4x4	Crew Cab	No	6.5 Box	6.0L V8	4500	6000	8600	n/a	---	---	---	7169	6	---	---	400	700	800	900	---
K2500 SILV/SIERRA	4x4	Crew Cab	No	6.5 Box	6.0L V8	4410	6000	8600	n/a	---	---	---	7169	6	---	---	500	---	---	---	---
K2500 SILV/SIERRA w/4WS	4x4	Crew Cab	No	6.5 Box	6.0L V8	4500	6000	8600	n/a	---	---	---	7169	6	---	---	200	750	800	900	---
K2500 SILV/SIERRA w/4WS	4x4	Crew Cab	No	6.5 Box	6.0L V8	4410	6000	8600	n/a	---	---	---	7169	6	---	---	500	---	---	---	---
K2500HD SILV/SIERRA	4x4	Reg Cab	No	8.0 Box	6.0L V8	4800	6084	9200	n/a	---	---	---	7169	6	---	---	300	400	450	450	---
K2500HD SILV/SIERRA	4x4	Reg Cab	No	8.0 Box	6.0L V8	4670	6084	9200	n/a	---	---	---	7169	6	---	---	300	400	450	450	---
K2500HD SILV/SIERRA	4x4	Reg Cab	No	8.0 Box	6.0L V8	4500	6084	9200	n/a	---	---	---	7169	6	---	---	300	400	450	450	---
K2500HD SILV/SIERRA	4x4	Reg Cab	No	8.0 Box	6.0L V8	4410	6084	9200	n/a	---	---	---	7169	6	---	---	300	400	450	450	---
K2500HD SILV/SIERRA	4x4	Reg Cab	No	8.0 Box	6.6L D	4800	6084	9200	n/a	---	---	---	7169	6	---	---	500	600	600	650	---
K2500HD SILV/SIERRA	4x4	Reg Cab	No	8.0 Box	6.6L D	4670	6084	9200	n/a	---	---	---	7169	6	---	---	500	950	---	---	---
K2500HD SILV/SIERRA	4x4	Reg Cab	No	8.0 Box	8.1L V8	4800	6084	9200	n/a	---	---	---	7169	6	---	---	400	500	500	550	---
K2500HD SILV/SIERRA	4x4	Reg Cab	No	8.0 Box	8.1L V8	4670	6084	9200	n/a	---	---	---	7169	6	---	---	400	500	500	550	---
K2500HD SILV/SIERRA	4x4	Reg Cab	No	8.0 Box	8.1L V8	4500	6084	9200	n/a	---	---	---	7169	6	---	---	400	900	1000	---	---
K2500HD SILV/SIERRA	4x4	Reg Cab	No	8.0 Box	8.1L V8	4410	6084	9200	n/a	---	---	---	7169	6	---	---	700	---	---	---	---
K2500HD SILV/SIERRA	4x4	Ext Cab	No	6.5 Box	6.0L V8	4800	6084	9200	n/a	---	---	---	7169	6	---	---	400	500	500	500	---
K2500HD SILV/SIERRA	4x4	Ext Cab	No	6.5 Box	6.0L V8	4670	6084	9200	n/a	---	---	---	7169	6	---	---	400	500	500	500	---
K2500HD SILV/SIERRA	4x4	Ext Cab	No	6.5 Box	6.0L V8	4500	6084	9200	n/a	---	---	---	7169	6	---	---	400	500	500	500	---
K2500HD SILV/SIERRA	4x4	Ext Cab	No	6.5 Box	6.6L D	4800	6084	9200	n/a	---	---	---	7169	6	---	---	550	1000	---	---	---
K2500HD SILV/SIERRA	4x4	Ext Cab	No	6.5 Box	6.6L D	4670	6084	9200	n/a	---	---	---	7169	6	---	---	950	---	---	---	---
K2500HD SILV/SIERRA	4x4	Ext Cab	No	6.5 Box	8.1L V8	4800	6084	9200	n/a	---	---	---	7169	6	---	---	450	550	600	600	---
K2500HD SILV/SIERRA	4x4	Ext Cab	No	6.5 Box	8.1L V8	4670	6084	9200	n/a	---	---	---	7169	6	---	---	450	700	800	900	---
K2500HD SILV/SIERRA	4x4	Ext Cab	No	6.5 Box	8.1L V8	4500	6084	9200	n/a	---	---	---	7169	6	---	---	850	---	---	---	---
K2500HD SILV/SIERRA	4x4	Ext Cab	No	8.0 Box	6.0L V8	4800	6084	9200	n/a	---	---	---	7169	6	---	---	350	450	450	450	---
K2500HD SILV/SIERRA	4x4	Ext Cab	No	8.0 Box	6.0L V8	4670	6084	9200	n/a	---	---	---	7169	6	---	---	350	450	450	450	---
K2500HD SILV/SIERRA	4x4	Ext Cab	No	8.0 Box	6.0L V8	4500	6084	9200	n/a	---	---	---	7169	6	---	---	350	450	450	500	---
K2500HD SILV/SIERRA	4x4	Ext Cab	No	8.0 Box	6.6L D	4800	6084	9200	n/a	---	---	---	7169	6	---	---	850	---	---	---	---

HB3/HB4 use 29048

- Notes:
- Ballast amounts are based on a "Representative Vehicle," defined in the vehicle selection guide instructions, and must be modified for all other configurations for axle and GVWR compliance.
  - Requires bumper notching.

- All New Style Only (2nd # in model # is 5 not 0) example: K15903. Refer to label in glove box for model number.
- These Snowplows Are For Personal/Homeowner Use Only.

# 2004 General Motors

## Section 1

### Homesteader™, LD-Series & M-Series Snowplows



Blade Length	6'-8"	7'-4"
Blade Assembly	Personal	Personal
Blade Part Number	27547	27549
Common Attachment Kit / Headgear Kit	27550	
Hydraulic Kit	27517	
Common Light	8435	
Choose Module	DRLs: 29070, Non-DRLs: 29060	
Choose a Hand-Held Control or a Joystick Control	9400	
	8292	



6'-9" LD	7'-1/2" LD	7'-1/2" RD M	8' HD M	8'-1/2" HD M	9' HD M
28069	27775	27500	28000	28500	29000
27750-1			27777		
9825-1			9840-2		
28800					
DRLs: 29070, Non-DRLs: 29060					
9400					
8292					

Model	Body Style	DRW	Box Option	Engine Type	Min F G A W R	Min R G A W R	Min G V W R	Peculiar Light Kit	Personal Plow system		Ballast Guidelines, lbs (1)	MM2 system		Ballast Guidelines, lbs (1)						
									Peculiar Att.Kit	Notes		Peculiar Att.Kit	Notes							
K2500HD SILV/SIERRA	4x4	Ext Cab	No	8.0 Box	8.1L V8	4800	6084	9200	n/a	---	---	---	7169	6	---	---	450	700	800	900
K2500HD SILV/SIERRA	4x4	Ext Cab	No	8.0 Box	8.1L V8	4670	6084	9200	n/a	---	---	---	7169	6	---	---	700	---	---	---
K2500HD SILV/SIERRA	4x4	Crew Cab	No	6.5 Box	6.0L V8	4800	6084	9200	n/a	---	---	---	7169	6	---	---	300	400	400	400
K2500HD SILV/SIERRA	4x4	Crew Cab	No	6.5 Box	6.0L V8	4670	6084	9200	n/a	---	---	---	7169	6	---	---	300	400	400	400
K2500HD SILV/SIERRA	4x4	Crew Cab	No	6.5 Box	6.0L V8	4500	6084	9200	n/a	---	---	---	7169	6	---	---	300	650	750	850
K2500HD SILV/SIERRA	4x4	Crew Cab	No	6.5 Box	6.0L V8	4410	6084	9200	n/a	---	---	---	7169	6	---	---	450	---	---	---
K2500HD SILV/SIERRA	4x4	Crew Cab	No	6.5 Box	8.1L V8	4800	6084	9200	n/a	---	---	---	7169	6	---	---	350	1000	---	---
K2500HD SILV/SIERRA	4x4	Crew Cab	No	6.5 Box	8.1L V8	4670	6084	9200	n/a	---	---	---	7169	6	---	---	950	---	---	---
K2500HD SILV/SIERRA	4x4	Crew Cab	No	8.0 Box	6.0L V8	4800	6084	9200	n/a	---	---	---	7169	6	---	---	300	400	400	400
K2500HD SILV/SIERRA	4x4	Crew Cab	No	8.0 Box	6.0L V8	4670	6084	9200	n/a	---	---	---	7169	6	---	---	300	400	400	400
K2500HD SILV/SIERRA	4x4	Crew Cab	No	8.0 Box	6.0L V8	4500	6084	9200	n/a	---	---	---	7169	6	---	---	400	950	---	---
K2500HD SILV/SIERRA	4x4	Crew Cab	No	8.0 Box	6.0L V8	4410	6084	9200	n/a	---	---	---	7169	6	---	---	800	---	---	---
K2500HD SILV/SIERRA	4x4	Crew Cab	No	8.0 Box	8.1L V8	4800	6084	9200	n/a	---	---	---	7169	6	---	---	700	---	---	---
K2500HD SILV/SIERRA	4x4	All	No	Chassis	All	All	All	8501	n/a	---	---	---	7169	6	---	---	?	?	?	?
K3500 SILV/SIERRA	4x4	Reg Cab	Yes	8.0 Box	6.0L V8	4800	8550	11400	n/a	---	---	---	7169	6	---	---	---	---	200	200
K3500 SILV/SIERRA	4x4	Reg Cab	Yes	8.0 Box	6.0L V8	4670	8550	11400	n/a	---	---	---	7169	6	---	---	---	---	200	200
K3500 SILV/SIERRA	4x4	Reg Cab	Yes	8.0 Box	6.0L V8	4500	8550	11400	n/a	---	---	---	7169	6	---	---	---	---	200	200
K3500 SILV/SIERRA	4x4	Reg Cab	Yes	8.0 Box	6.6L D	4800	8550	11400	n/a	---	---	---	7169	6	---	---	---	---	700	800
K3500 SILV/SIERRA	4x4	Reg Cab	Yes	8.0 Box	8.1L V8	4800	8550	11400	n/a	---	---	---	7169	6	---	---	---	---	350	350
K3500 SILV/SIERRA	4x4	Reg Cab	Yes	8.0 Box	8.1L V8	4670	8550	11400	n/a	---	---	---	7169	6	---	---	---	---	600	650
K3500 SILV/SIERRA	4x4	Ext Cab	Yes	8.0 Box	6.0L V8	4800	8550	11400	n/a	---	---	---	7169	6	---	---	---	---	150	150
K3500 SILV/SIERRA	4x4	Ext Cab	Yes	8.0 Box	8.1L V8	4800	8550	11400	n/a	---	---	---	7169	6	---	---	---	---	1000	---
K3500 SILV/SIERRA	4x4	Crew Cab	Yes	8.0 Box	6.0L V8	4800	8550	11400	n/a	---	---	---	7169	6	---	---	---	---	150	150
K3500 SILV/SIERRA	4x4	All	Yes	Chassis	All	All	All	8501	n/a	---	---	---	7169	6	---	---	---	---	?	?
C3500 SILV/SIERRA	4x2	Ext Cab	Yes	8.0 Box	6.0L V8	4800	8550	11400	n/a	---	---	---	7169	6	---	---	---	---	50	50
C3500 SILV/SIERRA	4x2	Ext Cab	Yes	8.0 Box	6.0L V8	4670	8550	11400	n/a	---	---	---	7169	6	---	---	---	---	50	50
C3500 SILV/SIERRA	4x2	Ext Cab	Yes	8.0 Box	6.6L D	4800	8550	11400	n/a	---	---	---	7169	6	---	---	---	---	750	850
C3500 SILV/SIERRA	4x2	Ext Cab	Yes	8.0 Box	8.1L V8	4800	8550	11400	n/a	---	---	---	7169	6	---	---	---	---	200	250
C3500 SILV/SIERRA	4x2	Ext Cab	Yes	8.0 Box	8.1L V8	4670	8550	11400	n/a	---	---	---	7169	6	---	---	---	---	650	700
C3500 SILV/SIERRA	4x2	Crew Cab	Yes	8.0 Box	6.0L V8	4800	8550	11400	n/a	---	---	---	7169	6	---	---	---	---	50	50
C3500 SILV/SIERRA	4x2	Crew Cab	Yes	8.0 Box	6.0L V8	4670	8550	11400	n/a	---	---	---	7169	6	---	---	---	---	50	50
C3500 SILV/SIERRA	4x2	Crew Cab	Yes	8.0 Box	8.1L V8	4800	8550	11400	n/a	---	---	---	7169	6	---	---	---	---	400	500
C3500 SILV/SIERRA	4x2	Crew Cab	Yes	8.0 Box	8.1L V8	4670	8550	11400	n/a	---	---	---	7169	6	---	---	---	---	950	---
C3500 SILV/SIERRA	4x2	All	Yes	Chassis	All	All	All	10001	n/a	---	---	---	7169	6	---	---	---	---	?	?

HB3/HB4  
use 29048

- Notes:
- Ballast amounts are based on a "Representative Vehicle," defined in the vehicle selection guide instructions, and must be modified for all other configurations for axle and GVWR compliance.
  - All New Style Only (2nd # in model # is 5 not 0) example: K15903. Refer to label in glove box for model number.



# 2004 General Motors

## Section 2 XBLADE™ & MC-Series Snowplows



Blade Length	7-1/2'	7-1/2'	8'	8'	8-1/2'	8-1/2'	9'	9'	9'	10'
Blade Assembly	X SS	X MS	X SS	X MS	X SS	X MS	X SS	X MS	MC	MC
Blade Part Number	27510	27512	28100	28200	28510	28520	29100	29200	29250	29350
Common Attachment Kit / Headgear Kit	28900	27777	28900	27777	28900	27777	28900	27777	29999	
A-Frame Kit	n/a								28665	
Hydraulic Kit	9840-2								9835-1	
Common Light	28800									
Choose Module	DRLs: 29070, Non-DRLs: 29060									
Choose a Hand-Held Control or a Joystick Control	9400									
	8292									

Model	Body Style	DRW	Box Option	Engine Type	Min F G A W R	Min R G A W R	Min G V W R	Peculiar Light Kit	MM2 system		Ballast Guidelines, lbs (1)										
									Peculiar Att.Kit	Notes											
K2500 SILV/SIERRA	4x4	Ext Cab	No	6.5 Box	6.0L V8	4410	6000	8600	HB3/HB4 use 29048	7169	6	550	550	800	800	950	950	---	---	---	---
K2500 SILV/SIERRA	4x4	Crew Cab	No	6.5 Box	6.0L V8	4500	6000	8600		7169	6	800	800	---	---	---	---	---	---	---	---
K2500 SILV/SIERRA w/4WS	4x4	Crew Cab	No	6.5 Box	6.0L V8	4500	6000	8600		7169	6	850	850	---	---	---	---	---	---	---	---
K2500HD SILV/SIERRA	4x4	Reg Cab	No	8.0 Box	6.0L V8	4800	6084	9200		7169	6	450	450	500	500	500	500	550	550	---	---
K2500HD SILV/SIERRA	4x4	Reg Cab	No	8.0 Box	6.0L V8	4670	6084	9200		7169	6	450	450	500	500	500	500	550	550	---	---
K2500HD SILV/SIERRA	4x4	Reg Cab	No	8.0 Box	6.0L V8	4500	6084	9200		7169	6	450	450	500	500	500	500	550	550	---	---
K2500HD SILV/SIERRA	4x4	Reg Cab	No	8.0 Box	6.0L V8	4410	6084	9200		7169	6	450	450	500	500	500	500	550	550	---	---
K2500HD SILV/SIERRA	4x4	Reg Cab	No	8.0 Box	6.6L D	4800	6084	9200		7169	6	600	600	850	850	1000	1000	---	---	---	---
K2500HD SILV/SIERRA	4x4	Reg Cab	No	8.0 Box	8.1L V8	4800	6084	9200		7169	6	500	500	550	550	600	600	600	600	---	---
K2500HD SILV/SIERRA	4x4	Reg Cab	No	8.0 Box	8.1L V8	4670	6084	9200		7169	6	500	500	700	700	800	800	950	950	---	---
K2500HD SILV/SIERRA	4x4	Reg Cab	No	8.0 Box	8.1L V8	4500	6084	9200		7169	6	1000	1000	---	---	---	---	---	---	---	---
K2500HD SILV/SIERRA	4x4	Ext Cab	No	6.5 Box	6.0L V8	4800	6084	9200		7169	6	500	500	550	550	600	600	600	600	---	---
K2500HD SILV/SIERRA	4x4	Ext Cab	No	6.5 Box	6.0L V8	4670	6084	9200		7169	6	500	500	550	550	600	600	600	600	---	---
K2500HD SILV/SIERRA	4x4	Ext Cab	No	6.5 Box	6.0L V8	4500	6084	9200		7169	6	500	500	550	550	600	600	650	650	---	---
K2500HD SILV/SIERRA	4x4	Ext Cab	No	6.5 Box	8.1L V8	4800	6084	9200		7169	6	600	600	650	650	750	750	900	900	---	---
K2500HD SILV/SIERRA	4x4	Ext Cab	No	6.5 Box	8.1L V8	4670	6084	9200		7169	6	800	800	---	---	---	---	---	---	---	---
K2500HD SILV/SIERRA	4x4	Ext Cab	No	8.0 Box	6.0L V8	4800	6084	9200		7169	6	450	450	500	500	500	500	550	550	---	---
K2500HD SILV/SIERRA	4x4	Ext Cab	No	8.0 Box	6.0L V8	4670	6084	9200		7169	6	450	450	500	500	500	500	550	550	---	---
K2500HD SILV/SIERRA	4x4	Ext Cab	No	8.0 Box	6.0L V8	4500	6084	9200		7169	6	450	450	750	750	900	900	---	---	---	---
K2500HD SILV/SIERRA	4x4	Ext Cab	No	8.0 Box	8.1L V8	4800	6084	9200		7169	6	800	800	---	---	---	---	---	---	---	---
K2500HD SILV/SIERRA	4x4	Crew Cab	No	6.5 Box	6.0L V8	4800	6084	9200	7169	6	400	400	450	450	500	500	500	500	---	---	
K2500HD SILV/SIERRA	4x4	Crew Cab	No	6.5 Box	6.0L V8	4670	6084	9200	7169	6	400	400	450	450	500	500	650	650	---	---	
K2500HD SILV/SIERRA	4x4	Crew Cab	No	6.5 Box	6.0L V8	4500	6084	9200	7169	6	800	800	---	---	---	---	---	---	---	---	
K2500HD SILV/SIERRA	4x4	Crew Cab	No	8.0 Box	6.0L V8	4800	6084	9200	7169	6	400	400	450	450	450	450	500	500	---	---	
K2500HD SILV/SIERRA	4x4	Crew Cab	No	8.0 Box	6.0L V8	4670	6084	9200	7169	6	400	400	650	650	800	800	950	950	---	---	
K2500HD SILV/SIERRA	4x4	All	No	Chassis	All	All	All	8501	7169	6	?	?	?	?	?	?	?	?	---	---	

Notes:  
 1. Ballast amounts are based on a "Representative Vehicle," defined in the vehicle selection guide instructions, and must be modified for all other configurations for axle and GVWR compliance.  
 6. All New Style Only (2nd # in model # is 5 not 0) example: K15903. Refer to label in glove box for model number.

# 2004 General Motors

## Section 2 XBLADE™ & MC-Series Snowplows



Blade Length	7-1/2'	7-1/2'	8'	8'	8-1/2'	8-1/2'	9'	9'	9'	10'
Blade Assembly	X SS	X MS	X SS	X MS	X SS	X MS	X SS	X MS	MC	MC
Blade Part Number	27510	27512	28100	28200	28510	28520	29100	29200	29250	29350
Common Attachment Kit / Headgear Kit	28900	27777	28900	27777	28900	27777	28900	27777	29999	
A-Frame Kit	n/a								28665	
Hydraulic Kit	9840-2								9835-1	
Common Light	28800									
Choose Module	DRLs: 29070, Non-DRLs: 29060									
Choose a Hand-Held Control or a Joystick Control	9400									
	8292									

Model	Body Style	DRW	Box Option	Engine Type	Min F G A W R	Min R G A W R	Min G V W R	Peculiar Light Kit	MM2 system		Ballast Guidelines, lbs (1)											
									Peculiar Att. Kit	Notes												
K3500 SILV/SIERRA	4x4	Reg Cab	Yes	8.0 Box	6.0L V8	4800	8550	11400	HB3/HB4 use 29048	7169	6	---	---	---	---	250	250	300	300	---	---	
K3500 SILV/SIERRA	4x4	Reg Cab	Yes	8.0 Box	6.0L V8	4670	8550	11400		7169	6	---	---	---	---	---	250	250	300	300	---	---
K3500 SILV/SIERRA	4x4	Reg Cab	Yes	8.0 Box	6.0L V8	4500	8550	11400		7169	6	---	---	---	---	---	250	250	400	400	---	---
K3500 SILV/SIERRA	4x4	Reg Cab	Yes	8.0 Box	8.1L V8	4800	8550	11400		7169	6	---	---	---	---	---	550	550	650	650	---	---
K3500 SILV/SIERRA	4x4	Reg Cab	Yes	8.0 Box	8.1L V8	4670	8550	11400		7169	6	---	---	---	---	---	1000	1000	---	---	---	---
K3500 SILV/SIERRA	4x4	Ext Cab	Yes	8.0 Box	6.0L V8	4800	8550	11400		7169	6	---	---	---	---	---	200	200	200	200	---	---
K3500 SILV/SIERRA	4x4	Crew Cab	Yes	8.0 Box	6.0L V8	4800	8550	11400		7169	6	---	---	---	---	---	400	400	550	550	---	---
K3500 SILV/SIERRA	4x4	All	Yes	Chassis	All	All	All	8501		7169	6	---	---	---	---	---	?	?	?	?	---	---
C3500 SILV/SIERRA	4x2	Ext Cab	Yes	8.0 Box	6.0L V8	4800	8550	11400		7169	6	---	---	---	---	---	150	150	150	150	---	---
C3500 SILV/SIERRA	4x2	Ext Cab	Yes	8.0 Box	6.0L V8	4670	8550	11400		7169	6	---	---	---	---	---	150	150	150	150	---	---
C3500 SILV/SIERRA	4x2	Ext Cab	Yes	8.0 Box	8.1L V8	4800	8550	11400		7169	6	---	---	---	---	---	550	550	700	700	---	---
C3500 SILV/SIERRA	4x2	Crew Cab	Yes	8.0 Box	6.0L V8	4800	8550	11400		7169	6	---	---	---	---	---	100	100	150	150	---	---
C3500 SILV/SIERRA	4x2	Crew Cab	Yes	8.0 Box	6.0L V8	4670	8550	11400		7169	6	---	---	---	---	---	100	100	150	150	---	---
C3500 SILV/SIERRA	4x2	Crew Cab	Yes	8.0 Box	8.1L V8	4800	8550	11400		7169	6	---	---	---	---	---	900	900	---	---	---	---
C3500 SILV/SIERRA	4x2	All	Yes	Chassis	All	All	All	10001		7169	6	---	---	---	---	---	?	?	?	?	---	---
C4500	4x2	All	Yes	Chassis	All	All	All	10001		2B use 29053 or 1A/2A use 29053	7171	2,41	---	---	---	---	?	?	?	?	?	---
C5500	4x2	All	Yes	Chassis	All	All	All	10001		2B use 29053 or 1A/2A use 29053	7171	2,41	---	---	---	---	?	?	?	?	?	---

- Notes:
1. Ballast amounts are based on a "Representative Vehicle," defined in the vehicle selection guide instructions, and must be modified for all other configurations for axle and GVWR compliance.
  2. Recommended snowplow prep package whenever available.

6. All New Style Only (2nd # in model # is 5 not 0) example: K15903. Refer to label in glove box for model number.
41. 4X2.

# 2004 General Motors

## Section 3

### EZ-V® & XtremeV™ Snowplows



Blade Length	7-1/2'	7-1/2'	8-1/2'	8-1/2'	9-1/2'	9-1/2'	8-1/2'	9-1/2'
Blade Assembly	XV SS	XV MS	XV SS	XV MS	XV SS	XV MS	EZ-V®	EZ-V®
Blade Part Number	44775	44675	44785	44685	44795	44695	28885	28895
Common Attachment Kit / Headgear Kit	44650	44600	44650	44600	44650	44600	28888	
Hydraulic Kit	n/a						9828-4	
Common Light	n/a						28800	
Choose Module	DRLs: 29070, Non-DRLs: 29060							
Choose a Hand-Held Control	29600						9800	
or a Joystick Control	29700						9900	

Model	Body Style	DRW	Box Option	Engine Type	Min FAWR	Min RGAWR	Min GVWR	Peculiar Light Kit	MM2 system		Ballast Guidelines, lbs (1)													
									Peculiar Att.Kit	Notes	1	2	3	4	5	6	7	8	9	10				
K1500 SILV/SIERRA	4x4	Reg Cab	No	6.5 Box	4.3L V6	3925	3750	6400	HB3/HB4 use 29048	7168	6	600	600	---	---	---	---	---	---	---	---	---	---	
K1500 SILV/SIERRA	4x4	Reg Cab	No	8.0 Box	4.3L V6	3925	3750	6400		7168	6	700	700	---	---	---	---	---	---	---	---	---	---	---
K1500 SILV/SIERRA	4x4	Ext Cab	No	6.5 Box	4.8L V8	4180	6000	6900		7168	6	650	650	---	---	---	---	---	---	---	---	---	---	---
K1500 SILV/SIERRA	4x4	Ext Cab	No	6.5 Box	5.3L V8	4180	6000	6900		7168	6	650	650	---	---	---	---	---	---	---	---	---	---	---
K2500 SILV/SIERRA	4x4	Ext Cab	No	6.5 Box	6.0L V8	4410	6000	8600		7169	6	800	800	---	---	---	---	---	---	---	650	---	---	---
K2500 SILV/SIERRA	4x4	Crew Cab	No	6.5 Box	6.0L V8	4500	6000	8600		7169	6	---	---	---	---	---	---	---	---	---	1000	---	---	---
K2500HD SILV/SIERRA	4x4	Reg Cab	No	8.0 Box	6.0L V8	4800	6084	9200		7169	6	450	450	500	500	600	600	600	450	500	---	---	---	---
K2500HD SILV/SIERRA	4x4	Reg Cab	No	8.0 Box	6.0L V8	4670	6084	9200		7169	6	450	450	500	500	600	600	600	450	500	---	---	---	---
K2500HD SILV/SIERRA	4x4	Reg Cab	No	8.0 Box	6.0L V8	4500	6084	9200		7169	6	450	450	500	500	800	800	450	500	---	---	---	---	---
K2500HD SILV/SIERRA	4x4	Reg Cab	No	8.0 Box	6.0L V8	4410	6084	9200		7169	6	450	450	500	500	---	---	---	450	500	---	---	---	---
K2500HD SILV/SIERRA	4x4	Reg Cab	No	8.0 Box	6.6L D	4800	6084	9200		7169	6	850	850	---	---	---	---	---	750	---	---	---	---	---
K2500HD SILV/SIERRA	4x4	Reg Cab	No	8.0 Box	8.1L V8	4800	6084	9200		7169	6	550	550	600	600	---	---	---	500	550	---	---	---	---
K2500HD SILV/SIERRA	4x4	Reg Cab	No	8.0 Box	8.1L V8	4670	6084	9200		7169	6	650	650	950	950	---	---	---	550	850	---	---	---	---
K2500HD SILV/SIERRA	4x4	Ext Cab	No	6.5 Box	6.0L V8	4800	6084	9200		7169	6	550	550	600	600	700	700	500	550	---	---	---	---	---
K2500HD SILV/SIERRA	4x4	Ext Cab	No	6.5 Box	6.0L V8	4670	6084	9200		7169	6	550	550	600	600	700	700	500	550	---	---	---	---	---
K2500HD SILV/SIERRA	4x4	Ext Cab	No	6.5 Box	6.0L V8	4500	6084	9200		7169	6	550	550	650	650	---	---	---	600	550	---	---	---	---
K2500HD SILV/SIERRA	4x4	Ext Cab	No	6.5 Box	8.1L V8	4800	6084	9200		7169	6	600	600	900	900	---	---	---	500	800	---	---	---	---
K2500HD SILV/SIERRA	4x4	Ext Cab	No	6.5 Box	8.1L V8	4670	6084	9200		7169	6	---	---	---	---	---	---	---	1000	---	---	---	---	---
K2500HD SILV/SIERRA	4x4	Ext Cab	No	8.0 Box	6.0L V8	4800	6084	9200		7169	6	450	450	500	500	600	600	450	500	---	---	---	---	---
K2500HD SILV/SIERRA	4x4	Ext Cab	No	8.0 Box	6.0L V8	4670	6084	9200		7169	6	450	450	500	500	---	---	---	450	500	---	---	---	---
K2500HD SILV/SIERRA	4x4	Ext Cab	No	8.0 Box	6.0L V8	4500	6084	9200		7169	6	750	750	---	---	---	---	---	650	1000	---	---	---	---
K2500HD SILV/SIERRA	4x4	Ext Cab	No	8.0 Box	8.1L V8	4800	6084	9200		7169	6	---	---	---	---	---	---	---	1000	---	---	---	---	---
K2500HD SILV/SIERRA	4x4	Crew Cab	No	6.5 Box	6.0L V8	4800	6084	9200		7169	6	450	450	500	500	900	900	400	450	---	---	---	---	---
K2500HD SILV/SIERRA	4x4	Crew Cab	No	6.5 Box	6.0L V8	4670	6084	9200		7169	6	450	450	700	700	---	---	---	400	600	---	---	---	---
K2500HD SILV/SIERRA	4x4	Crew Cab	No	6.5 Box	6.0L V8	4500	6084	9200		7169	6	---	---	---	---	---	---	---	1000	---	---	---	---	---
K2500HD SILV/SIERRA	4x4	Crew Cab	No	8.0 Box	6.0L V8	4800	6084	9200		7169	6	450	450	450	450	---	---	---	400	450	---	---	---	---
K2500HD SILV/SIERRA	4x4	Crew Cab	No	8.0 Box	6.0L V8	4670	6084	9200		7169	6	650	650	1000	1000	---	---	---	550	900	---	---	---	---
K2500HD SILV/SIERRA	4x4	All	No	Chassis	All	All	All	8501		7169	6	?	?	?	?	?	?	?	?	?	?	?	?	?

Notes:  
 1. Ballast amounts are based on a "Representative Vehicle," defined in the vehicle selection guide instructions, and must be modified for all other configurations for axle and GVWR compliance.  
 6. All New Style Only (2nd # in model # is 5 not 0) example: K15903. Refer to label in glove box for model number.

# 2004 General Motors

## Section 3

### EZ-V® & XtremeV™ Snowplows



Blade Length	7-1/2'	7-1/2'	8-1/2'	8-1/2'	9-1/2'	9-1/2'	8-1/2'	9-1/2'
Blade Assembly	XV SS	XV MS	XV SS	XV MS	XV SS	XV MS	EZ-V®	EZ-V®
Blade Part Number	44775	44675	44785	44685	44795	44695	28885	28895
Common Attachment Kit / Headgear Kit	44650	44600	44650	44600	44650	44600	28888	
Hydraulic Kit	n/a						9828-4	
Common Light	n/a						28800	
Choose Module	DRLs: 29070, Non-DRLs: 29060							
Choose a Hand-Held Control	29600						9800	
or a Joystick Control	29700						9900	

Model	Body Style	DRW	Box Option	Engine Type	Min F G A W R	Min R G A W R	Min G V W R	Peculiar Light Kit	MM2 system		Ballast Guidelines, lbs (1)								
									Peculiar Att.Kit	Notes									
K3500 SILV/SIERRA	4x4	Reg Cab	Yes	8.0 Box	6.0L V8	4800	8550	11400	HB3/HB4 use 29048	7169	6	---	---	250	250	350	350	200	250
K3500 SILV/SIERRA	4x4	Reg Cab	Yes	8.0 Box	6.0L V8	4670	8550	11400		7169	6	---	---	250	250	450	450	200	250
K3500 SILV/SIERRA	4x4	Reg Cab	Yes	8.0 Box	6.0L V8	4500	8550	11400		7169	6	---	---	400	400	1000	1000	200	300
K3500 SILV/SIERRA	4x4	Reg Cab	Yes	8.0 Box	6.6L D	4800	8550	11400		7169	6	---	---	---	---	---	---	850	---
K3500 SILV/SIERRA	4x4	Reg Cab	Yes	8.0 Box	8.1L V8	4800	8550	11400		7169	6	---	---	650	650	---	---	350	600
K3500 SILV/SIERRA	4x4	Reg Cab	Yes	8.0 Box	8.1L V8	4670	8550	11400		7169	6	---	---	---	---	---	---	750	---
K3500 SILV/SIERRA	4x4	Ext Cab	Yes	8.0 Box	6.0L V8	4800	8550	11400		7169	6	---	---	200	200	800	800	150	200
K3500 SILV/SIERRA	4x4	Crew Cab	Yes	8.0 Box	6.0L V8	4800	8550	11400		7169	6	---	---	600	600	---	---	150	500
K3500 SILV/SIERRA	4x4	All	Yes	Chassis	All	All	All	8501		7169	6	---	---	?	?	?	?	?	?
C3500 SILV/SIERRA	4x2	Ext Cab	Yes	8.0 Box	6.0L V8	4800	8550	11400		7169	6	---	---	150	150	250	250	50	---
C3500 SILV/SIERRA	4x2	Ext Cab	Yes	8.0 Box	6.0L V8	4670	8550	11400		7169	6	---	---	150	150	400	400	50	---
C3500 SILV/SIERRA	4x2	Ext Cab	Yes	8.0 Box	6.6L D	4800	8550	11400		7169	6	---	---	---	---	---	---	1000	---
C3500 SILV/SIERRA	4x2	Ext Cab	Yes	8.0 Box	8.1L V8	4800	8550	11400		7169	6	---	---	750	750	---	---	350	---
C3500 SILV/SIERRA	4x2	Ext Cab	Yes	8.0 Box	8.1L V8	4670	8550	11400		7169	6	---	---	---	---	---	---	850	---
C3500 SILV/SIERRA	4x2	Crew Cab	Yes	8.0 Box	6.0L V8	4800	8550	11400		7169	6	---	---	100	100	200	200	50	---
C3500 SILV/SIERRA	4x2	Crew Cab	Yes	8.0 Box	6.0L V8	4670	8550	11400		7169	6	---	---	100	100	700	700	50	---
C3500 SILV/SIERRA	4x2	Crew Cab	Yes	8.0 Box	8.1L V8	4800	8550	11400		7169	6	---	---	---	---	---	---	650	---
C3500 SILV/SIERRA	4x2	All	Yes	Chassis	All	All	All	10001		7169	6	---	---	?	?	?	?	?	---
C4500	4x2	All	Yes	Chassis	All	All	All	10001		7171	2,41	---	---	?	?	?	?	---	?
C5500	4x2	All	Yes	Chassis	All	All	All	10001		7171	2,41	---	---	?	?	?	?	---	?

- Notes:
- Ballast amounts are based on a "Representative Vehicle," defined in the vehicle selection guide instructions, and must be modified for all other configurations for axle and GVWR compliance.
  - Recommended snowplow prep package whenever available.

- All New Style Only (2nd # in model # is 5 not 0) example: K15903. Refer to label in glove box for model number.
- 4X2.

# 2004 Ford

## Section 1 Homesteader™, LD-Series & M-Series Snowplows



Blade Length	6'-8"	7'-4"
Blade Assembly	Personal	Personal
Blade Part Number	27547	27549
Common Attachment Kit / Headgear Kit	27550	
Hydraulic Kit	27517	
Common Light	8435	
Choose Module	DRLs: 29070, Non-DRLs: 29060	
Choose a Hand-Held Control or a Joystick Control	9400	
	8292	

6'-9" LD	7'-1/2" LD	7'-1/2" RD M	8' HD M	8-1/2' HD M	9' HD M
28069	27775	27500	28000	28500	29000
27750-1		27777			
9825-1		9840-2			
28800					
DRLs: 29070, Non-DRLs: 29060					
9400					
8292					

Model	Body Style	DRW	Box Option	Engine Type	Min F G A W R	Min R G A W R	Min G V W R	Peculiar Light Kit	Personal Plow system		Ballast Guidelines, lbs (1)	MM2 system		Ballast Guidelines, lbs (1)									
									Peculiar Att.Kit	Notes		Peculiar Att.Kit	Notes										
EXPLORER SPORT TRAC	4x4	---	No	4.0 Box	4.0L V6	2900	3200	5840	1203	8	300	450	n/a	---	---	---	---	---	---	---	---	---	---
EXCURSION EARLY	4x4	SU-4DR	No	---	5.4L V8	4700	5250	9200	n/a	---	---	---	7159-2	7	---	---	0	---	---	---	---	---	---
EXCURSION EARLY	4x4	SU-4DR	No	---	5.4L V8	4700	5250	8900	n/a	---	---	---	7159-2	7	---	---	0	---	---	---	---	---	---
EXCURSION EARLY	4x4	SU-4DR	No	---	6.8L V10	4700	5250	9200	n/a	---	---	---	7159-2	7	---	---	150	---	---	---	---	---	---
EXCURSION EARLY	4x4	SU-4DR	No	---	6.8L V10	4700	5250	8900	n/a	---	---	---	7159-2	7	---	---	150	---	---	---	---	---	---
EXCURSION LATE	4x4	SU-4DR	No	---	5.4L V8	4700	5250	9200	n/a	---	---	---	7173	7	---	---	0	---	---	---	---	---	---
EXCURSION LATE	4x4	SU-4DR	No	---	5.4L V8	4700	5250	8900	n/a	---	---	---	7173	7	---	---	0	---	---	---	---	---	---
EXCURSION LATE	4x4	SU-4DR	No	---	6.8L V10	4700	5250	9200	n/a	---	---	---	7173	7	---	---	50	---	---	---	---	---	---
EXCURSION LATE	4x4	SU-4DR	No	---	6.8L V10	4700	5250	8900	n/a	---	---	---	7173	7	---	---	50	---	---	---	---	---	---
RANGER	4x4	Reg Cab	No	6.0 Box	3.0L V6	2850	2750	5040	1203	8	150	150	n/a	---	---	---	---	---	---	---	---	---	---
RANGER	4x4	Reg Cab	No	6.0 Box	3.0L V6	2850	2550	4760	1203	8	150	150	n/a	---	---	---	---	---	---	---	---	---	---
RANGER	4x4	Reg Cab	No	6.0 Box	3.0L V6	2710	2750	5040	1203	8	150	150	n/a	---	---	---	---	---	---	---	---	---	---
RANGER	4x4	Reg Cab	No	6.0 Box	3.0L V6	2710	2550	4760	1203	8	150	150	n/a	---	---	---	---	---	---	---	---	---	---
RANGER	4x4	Reg Cab	No	6.0 Box	3.0L V6	2510	2750	5040	1203	8	750	---	n/a	---	---	---	---	---	---	---	---	---	---
RANGER	4x4	Reg Cab	No	6.0 Box	4.0L V6	2850	2750	5040	1203	8	150	150	n/a	---	---	---	---	---	---	---	---	---	---
RANGER	4x4	Reg Cab	No	6.0 Box	4.0L V6	2850	2550	4760	1203	8	150	150	n/a	---	---	---	---	---	---	---	---	---	---
RANGER	4x4	Reg Cab	No	6.0 Box	4.0L V6	2710	2750	5040	1203	8	200	300	n/a	---	---	---	---	---	---	---	---	---	---
RANGER	4x4	Reg Cab	No	6.0 Box	4.0L V6	2710	2550	4760	1203	8	200	300	n/a	---	---	---	---	---	---	---	---	---	---
RANGER	4x4	Reg Cab	No	7.0 Box	3.0L V6	2850	2750	5060	1203	8	150	150	n/a	---	---	---	---	---	---	---	---	---	---
RANGER	4x4	Reg Cab	No	7.0 Box	3.0L V6	2850	2550	4840	1203	8	150	150	n/a	---	---	---	---	---	---	---	---	---	---
RANGER	4x4	Reg Cab	No	7.0 Box	3.0L V6	2710	2750	5060	1203	8	150	200	n/a	---	---	---	---	---	---	---	---	---	---
RANGER	4x4	Reg Cab	No	7.0 Box	3.0L V6	2710	2550	4840	1203	8	150	200	n/a	---	---	---	---	---	---	---	---	---	---
RANGER	4x4	Reg Cab	No	7.0 Box	3.0L V6	2510	2750	5060	1203	8	750	---	n/a	---	---	---	---	---	---	---	---	---	---
RANGER	4x4	Reg Cab	No	7.0 Box	4.0L V6	2850	2750	5060	1203	8	150	150	n/a	---	---	---	---	---	---	---	---	---	---
RANGER	4x4	Reg Cab	No	7.0 Box	4.0L V6	2850	2550	4840	1203	8	150	150	n/a	---	---	---	---	---	---	---	---	---	---
RANGER	4x4	Reg Cab	No	7.0 Box	4.0L V6	2710	2750	5060	1203	8	250	350	n/a	---	---	---	---	---	---	---	---	---	---
RANGER	4x4	Reg Cab	No	7.0 Box	4.0L V6	2710	2550	4840	1203	8	250	350	n/a	---	---	---	---	---	---	---	---	---	---
RANGER	4x4	Super Cab	No	6.0 Box	4.0L V6	2850	2750	5440	1203	8	150	250	n/a	---	---	---	---	---	---	---	---	---	---
RANGER	4x4	Super Cab	No	6.0 Box	4.0L V6	2850	2750	5320	1203	8	150	200	n/a	---	---	---	---	---	---	---	---	---	---
RANGER	4x4	Super Cab	No	6.0 Box	4.0L V6	2850	2750	5180	1203	8	150	200	n/a	---	---	---	---	---	---	---	---	---	---
RANGER	4x4	Super Cab	No	6.0 Box	4.0L V6	2850	2600	5140	1203	8	150	200	n/a	---	---	---	---	---	---	---	---	---	---
RANGER	4x4	Super Cab	No	6.0 Box	4.0L V6	2850	2600	5000	1203	8	150	200	n/a	---	---	---	---	---	---	---	---	---	---
RANGER	4x4	Super Cab	No	6.0 Box	4.0L V6	2710	2750	5320	1203	8	650	---	n/a	---	---	---	---	---	---	---	---	---	---
RANGER	4x4	Super Cab	No	6.0 Box	4.0L V6	2710	2750	5180	1203	8	650	---	n/a	---	---	---	---	---	---	---	---	---	---
F150	4x4	Reg Cab	No	6.5 Box	4.6L V8	3600	3500	6800	1233	8	---	0	7174	3	---	---	---	---	---	---	---	---	---
F150	4x4	Reg Cab	No	6.5 Box	4.6L V8	3450	3500	6800	1233	8	---	250	7174	3	---	---	---	---	---	---	---	---	---
F150	4x4	Reg Cab	No	6.5 Box	5.4L V8	3600	3500	6850	1233	8	---	0	7174	3	---	---	---	---	---	---	---	---	---
F150	4x4	Reg Cab	No	6.5 Box	5.4L V8	3450	3500	6850	1233	8	---	400	7174	3	---	---	---	---	---	---	---	---	---

- Notes:**
- 1. Ballast amounts are based on a "Representative Vehicle," defined in the vehicle selection guide instructions, and must be modified for all other configurations for axle and GVWR compliance.
  - 2. Requires bumper notching.
  - 7. "EARLY" indicates a build date before 12-01-2003, "LATE" indicates a build date on or after 12-01-2003.
  - 8. These Snowplows Are For Personal/Homeowner Use Only.

# 2004 Ford

## Section 1

### Homesteader™, LD-Series & M-Series Snowplows



Blade Length	6'-8"	7'-4"
Blade Assembly	Personal	Personal
Blade Part Number	27547	27549
Common Attachment Kit / Headgear Kit	27550	
Hydraulic Kit	27517	
Common Light	8435	
Choose Module	DRLs: 29070, Non-DRLs: 29060	
Choose a Hand-Held Control or a Joystick Control	9400	
	8292	



6'-9" LD	7'-1/2" LD	7'-1/2" RD M	8' HD M	8'-1/2" HD M	9' HD M
28069	27775	27500	28000	28500	29000
27750-1			27777		
9825-1		9840-2			
28800					
DRLs: 29070, Non-DRLs: 29060					
9400					
8292					

Model	Body Style	DRW	Box Option	Engine Type	Min F G A W R	Min R G A W R	Min G V W R	Peculiar Light Kit	Personal Plow system		Ballast Guidelines, lbs (1)	MM2 system		Ballast Guidelines, lbs (1)							
									Peculiar Att.Kit	Notes		Peculiar Att.Kit	Notes								
F150	4x4	Reg Cab	No	8.0 Box	4.6L V8	3750	3800	6950	1233	8	---	0	7174	3	---	850	---	---	---	---	---
F150	4x4	Reg Cab	No	8.0 Box	4.6L V8	3600	3800	6950	1233	8	---	150	7174	3	---	---	---	---	---	---	---
F150	4x4	Reg Cab	No	8.0 Box	4.6L V8	3450	3800	6950	1233	8	---	800	7174	3	---	---	---	---	---	---	---
F150	4x4	Reg Cab	No	8.0 Box	5.4L V8	4300	4900	8200	1233	8	---	0	7174	3	---	150	250	750	800	---	---
F150	4x4	Reg Cab	No	8.0 Box	5.4L V8	4300	4800	8200	1233	8	---	0	7174	3	---	150	250	750	800	---	---
F150	4x4	Reg Cab	No	8.0 Box	5.4L V8	4050	4900	8200	1233	8	---	0	7174	3	---	250	---	---	---	---	---
F150	4x4	Reg Cab	No	8.0 Box	5.4L V8	4050	4800	8200	1233	8	---	0	7174	3	---	250	---	---	---	---	---
F150	4x4	Reg Cab	No	8.0 Box	5.4L V8	3750	3850	6950	1233	8	---	50	7174	3	---	---	---	---	---	---	---
F150	4x4	Reg Cab	No	8.0 Box	5.4L V8	3600	3850	6950	1233	8	---	400	7174	3	---	---	---	---	---	---	---
F150	4x4	Super Cab	No	5.5 Box	4.6L V8	3750	3800	6900	1233	8	---	0	7174	3	---	550	---	---	---	---	---
F150	4x4	Super Cab	No	5.5 Box	4.6L V8	3600	3800	6900	1233	8	---	0	7174	3	---	---	---	---	---	---	---
F150	4x4	Super Cab	No	5.5 Box	4.6L V8	3450	3800	6900	1233	8	---	500	7174	3	---	---	---	---	---	---	---
F150	4x4	Super Cab	No	5.5 Box	5.4L V8	3750	3850	7150	1233	8	---	0	7174	3	---	---	---	---	---	---	---
F150	4x4	Super Cab	No	5.5 Box	5.4L V8	3600	3850	7150	1233	8	---	250	7174	3	---	---	---	---	---	---	---
F150	4x4	Super Cab	No	6.5 Box	4.6L V8	3750	3800	6950	1233	8	---	0	7174	3	---	---	---	---	---	---	---
F150	4x4	Super Cab	No	6.5 Box	4.6L V8	3600	3800	6950	1233	8	---	300	7174	3	---	---	---	---	---	---	---
F150	4x4	Super Cab	No	6.5 Box	5.4L V8	3900	3850	7200	1233	8	---	0	7174	3	---	850	---	---	---	---	---
F150	4x4	Super Cab	No	6.5 Box	5.4L V8	3750	3850	7200	1233	8	---	150	7174	3	---	---	---	---	---	---	---
F150	4x4	Super Cab	No	8.0 Box	5.4L V8	4300	4900	8200	1233	8	---	0	7174	3	---	50	950	---	---	---	---
F150	4x4	Super Cab	No	8.0 Box	5.4L V8	4300	4800	8200	1233	8	---	0	7174	3	---	50	950	---	---	---	---
F150	4x4	Super Cab	No	8.0 Box	5.4L V8	4050	4900	8200	1233	8	---	0	7174	3	---	---	---	---	---	---	---
F150	4x4	Super Cab	No	8.0 Box	5.4L V8	4050	4800	8200	1233	8	---	0	7174	3	---	---	---	---	---	---	---
F150	4x4	SuperCrew	No	5.5 Box	4.6L V8	3750	3800	6900	1233	8	---	0	7174	3	---	---	---	---	---	---	---
F150	4x4	SuperCrew	No	5.5 Box	4.6L V8	3600	3800	6900	1233	8	---	500	7174	3	---	---	---	---	---	---	---
F150	4x4	SuperCrew	No	5.5 Box	5.4L V8	3900	3850	7200	1233	8	---	0	7174	3	---	---	---	---	---	---	---
F150	4x4	SuperCrew	No	5.5 Box	5.4L V8	3750	3850	7200	1233	8	---	150	7174	3	---	---	---	---	---	---	---
F150	4x4	SuperCrew	No	5.5 Box	5.4L V8	3600	3850	7200	1233	8	---	750	7174	3	---	---	---	---	---	---	---
F150 HERITAGE	4x4	Reg Cab	No	6.5 Box	4.2L V6	3400	3550	6050	1223	8	---	0	7150	---	---	250	---	---	---	---	---
F150 HERITAGE	4x4	Reg Cab	No	6.5 Box	4.2L V6	3200	3550	6050	1223	8	---	0	7150	---	---	---	---	---	---	---	---
F150 HERITAGE	4x4	Reg Cab	No	6.5 Box	4.6L V8	3600	3550	6250	1223	8	---	0	7150	---	---	250	550	---	---	---	---
F150 HERITAGE	4x4	Reg Cab	No	6.5 Box	4.6L V8	3400	3550	6250	1223	8	---	0	7150	---	---	500	---	---	---	---	---
F150 HERITAGE	4x4	Reg Cab	No	6.5 Box	4.6L V8	3200	3550	6250	1223	8	---	0	7150	---	---	---	---	---	---	---	---
F150 HERITAGE	4x4	Reg Cab	No	8.0 Box	4.2L V6	3600	3550	6050	1223	8	---	50	7150	---	---	250	---	---	---	---	---
F150 HERITAGE	4x4	Reg Cab	No	8.0 Box	4.2L V6	3400	3550	6050	1223	8	---	50	7150	---	---	600	---	---	---	---	---
F150 HERITAGE	4x4	Reg Cab	No	8.0 Box	4.6L V8	3600	3550	6250	1223	8	---	50	7150	---	---	250	---	---	---	---	---
F150 HERITAGE	4x4	Reg Cab	No	8.0 Box	4.6L V8	3400	3550	6250	1223	8	---	50	7150	---	---	---	---	---	---	---	---
F150 HERITAGE	4x4	Reg Cab	No	8.0 Box	5.4L V8 BIF	4150	4800	7700	1223	8	---	0	7150	---	---	100	200	500	600	---	---

- Notes:**
- Ballast amounts are based on a "Representative Vehicle," defined in the vehicle selection guide instructions, and must be modified for all other configurations for axle and GVWR compliance.
  - Requires bumper notching.
  - These Snowplows Are For Personal/Homeowner Use Only.

# 2004 Ford

## Section 1

### Homesteader™, LD-Series & M-Series Snowplows



Blade Length	6'-8"	7'-4"
Blade Assembly	Personal	Personal
Blade Part Number	27547	27549
Common Attachment Kit / Headgear Kit	27550	
Hydraulic Kit	27517	
Common Light	8435	
Choose Module	DRLs: 29070, Non-DRLs: 29060	
Choose a Hand-Held Control or a Joystick Control	9400 8292	



6'-9" LD	7'-1/2" LD	7'-1/2" RD M	8' HD M	8-1/2" HD M	9' HD M
28069	27775	27500	28000	28500	29000
27750-1			27777		
9825-1		9840-2			
28800					
DRLs: 29070, Non-DRLs: 29060					
9400					
8292					

Model	Body Style	DRW	Box Option	Engine Type	Min F G A W R	Min R G A W R	Min G V W R	Peculiar Light Kit	Personal Plow system		Ballast Guidelines, lbs (1)	MM2 system		Ballast Guidelines, lbs (1)							
									Peculiar Att.Kit	Notes		Peculiar Att.Kit	Notes	200	150	50	250	400	500	750	
F150 HERITAGE	4x4	Super Cab	No	6.5 Box	4.6L V8	3600	3550	6250	HB5 use 29050	1223	8	---	0	7150	---	---	200	---	---	---	---
F150 HERITAGE	4x4	Super Cab	No	6.5 Box	4.6L V8	3400	3550	6250		1223	8	---	0	7150	---	---	---	---	---	---	---
F150 HERITAGE	4x4	Super Cab	No	6.5 Box	5.4L V8 BIF	4150	4800	7700		1223	8	---	0	7150	---	---	50	150	650	750	---
F150 HERITAGE	4x4	Super Cab	No	8.0 Box	4.6L V8	3900	3500	6250		1223	8	---	50	7150	---	---	250	400	---	---	---
F150 HERITAGE	4x4	Super Cab	No	8.0 Box	4.6L V8	3768	3500	6250		1223	8	---	50	7150	---	---	250	---	---	---	---
F150 HERITAGE	4x4	Super Cab	No	8.0 Box	4.6L V8	3600	3500	6250	1223	8	---	50	7150	---	---	---	---	---	---	---	
F250 SUPER DUTY EARLY	4x4	Reg Cab	No	8.0 Box	5.4L V8	5200	6084	8800	2B use 29051 or HB5 use 29050	n/a	---	---	---	7159-2	7	---	---	300	450	450	450
F250 SUPER DUTY EARLY	4x4	Reg Cab	No	8.0 Box	5.4L V8	4800	6084	8800		n/a	---	---	---	7159-2	7	---	---	300	450	450	450
F250 SUPER DUTY EARLY	4x4	Reg Cab	No	8.0 Box	5.4L V8	4400	6084	8800		n/a	---	---	---	7159-2	7	---	---	800	---	---	---
F250 SUPER DUTY EARLY	4x4	Reg Cab	No	8.0 Box	6.0L D	5200	6084	8800		n/a	---	---	---	7159-2	7	---	---	550	700	800	850
F250 SUPER DUTY EARLY	4x4	Reg Cab	No	8.0 Box	6.8L V10	5200	6084	8800		n/a	---	---	---	7159-2	7	---	---	400	500	500	500
F250 SUPER DUTY EARLY	4x4	Super Cab	No	6.8 Box	5.4L V8	4800	6084	8800		n/a	---	---	---	7159-2	7	---	---	250	350	400	400
F250 SUPER DUTY EARLY	4x4	Super Cab	No	6.8 Box	5.4L V8	4800	6084	8800		n/a	---	---	---	7159-2	7	---	---	250	350	400	400
F250 SUPER DUTY EARLY	4x4	Super Cab	No	6.8 Box	6.0L D	5200	6084	8800		n/a	---	---	---	7159-2	7	---	---	500	900	950	---
F250 SUPER DUTY EARLY	4x4	Super Cab	No	6.8 Box	6.8L V10	5200	6084	8800		n/a	---	---	---	7159-2	7	---	---	350	450	450	450
F250 SUPER DUTY EARLY	4x4	Super Cab	No	6.8 Box	6.8L V10	4800	6084	8800		n/a	---	---	---	7159-2	7	---	---	350	600	650	750
F250 SUPER DUTY EARLY	4x4	Super Cab	No	8.0 Box	5.4L V8	5200	6084	8800		n/a	---	---	---	7159-2	7	---	---	300	400	400	400
F250 SUPER DUTY EARLY	4x4	Super Cab	No	8.0 Box	5.4L V8	4800	6084	8800		n/a	---	---	---	7159-2	7	---	---	300	550	600	700
F250 SUPER DUTY EARLY	4x4	Super Cab	No	8.0 Box	6.8L V10	5200	6084	8800		n/a	---	---	---	7159-2	7	---	---	350	450	450	500
F250 SUPER DUTY EARLY	4x4	Super Cab	No	8.0 Box	6.8L V10	4800	6084	8800		n/a	---	---	---	7159-2	7	---	---	500	---	---	---
F250 SUPER DUTY EARLY	4x4	Crew Cab	No	6.8 Box	5.4L V8	5200	6084	8800		n/a	---	---	---	7159-2	7	---	---	250	350	350	350
F250 SUPER DUTY EARLY	4x4	Crew Cab	No	6.8 Box	5.4L V8	4800	6084	8800		n/a	---	---	---	7159-2	7	---	---	250	550	650	700
F250 SUPER DUTY EARLY	4x4	Crew Cab	No	6.8 Box	6.8L V10	5200	6084	8800		n/a	---	---	---	7159-2	7	---	---	300	400	400	400
F250 SUPER DUTY EARLY	4x4	Crew Cab	No	6.8 Box	6.8L V10	4800	6084	8800		n/a	---	---	---	7159-2	7	---	---	600	---	---	---
F250 SUPER DUTY EARLY	4x4	Crew Cab	No	8.0 Box	5.4L V8	5200	6084	8800		n/a	---	---	---	7159-2	7	---	---	250	350	350	400
F250 SUPER DUTY EARLY	4x4	Crew Cab	No	8.0 Box	5.4L V8	4800	6084	8800		n/a	---	---	---	7159-2	7	---	---	450	---	---	---
F250 SUPER DUTY EARLY	4x4	Crew Cab	No	8.0 Box	6.8L V10	5200	6084	8800		n/a	---	---	---	7159-2	7	---	---	300	400	450	450
F250 SUPER DUTY LATE	4x4	Reg Cab	No	8.0 Box	5.4L V8	5200	6084	8800		n/a	---	---	---	7173	7	---	---	300	400	400	450
F250 SUPER DUTY LATE	4x4	Reg Cab	No	8.0 Box	5.4L V8	4800	6084	8800		n/a	---	---	---	7173	7	---	---	300	400	400	450
F250 SUPER DUTY LATE	4x4	Reg Cab	No	8.0 Box	5.4L V8	4400	6084	8800		n/a	---	---	---	7173	7	---	---	700	---	---	---
F250 SUPER DUTY LATE	4x4	Reg Cab	No	8.0 Box	6.0L D	5200	6084	8800		n/a	---	---	---	7173	7	---	---	550	650	650	750
F250 SUPER DUTY LATE	4x4	Reg Cab	No	8.0 Box	6.8L V10	5200	6084	8800		n/a	---	---	---	7173	7	---	---	350	450	500	500
F250 SUPER DUTY LATE	4x4	Reg Cab	No	8.0 Box	6.8L V10	4800	6084	8800		n/a	---	---	---	7173	7	---	---	350	450	500	500
F250 SUPER DUTY LATE	4x4	Super Cab	No	6.8 Box	5.4L V8	5200	6084	8800		n/a	---	---	---	7173	7	---	---	250	350	350	400
F250 SUPER DUTY LATE	4x4	Super Cab	No	6.8 Box	5.4L V8	4800	6084	8800		n/a	---	---	---	7173	7	---	---	250	350	350	400
F250 SUPER DUTY LATE	4x4	Super Cab	No	6.8 Box	5.4L V8	4400	6084	8800		n/a	---	---	---	7173	7	---	---	900	---	---	---

- Notes:**
- Ballast amounts are based on a "Representative Vehicle," defined in the vehicle selection guide instructions, and must be modified for all other configurations for axle and GVWR compliance.
  - "EARLY" indicates a build date before 12-01-2003, "LATE" indicates a build date on or after 12-01-2003.
  - These Snowplows Are For Personal/Homeowner Use Only.

# 2004 Ford

## Section 1

### Homesteader™, LD-Series & M-Series Snowplows



Blade Length	6'-8"	7'-4"
Blade Assembly	Personal	Personal
Blade Part Number	27547	27549
Common Attachment Kit / Headgear Kit	27550	
Hydraulic Kit	27517	
Common Light	8435	
Choose Module	DRLs: 29070, Non-DRLs: 29060	
Choose a Hand-Held Control or a Joystick Control	9400 8292	



6'-9" LD	7'-1/2" LD	7'-1/2" RD M	8' HD M	8-1/2" HD M	9' HD M
28069	27775	27500	28000	28500	29000
27750-1		27777			
9825-1		9840-2			
28800					
DRLs: 29070, Non-DRLs: 29060					
9400					
8292					

Model	Body Style	DRW	Box Option	Engine Type	Min F G A W R	Min R G A W R	Min G V W R	Peculiar Light Kit	Personal Plow system		Ballast Guidelines, lbs (1)	MM2 system		Ballast Guidelines, lbs (1)						
									Peculiar Att.Kit	Notes		Peculiar Att.Kit	Notes							
F250 SUPER DUTY LATE	4x4	Super Cab	No	6.8 Box	6.0L D	5200	6084	8800	n/a	---	---	---	7173	7	---	---	500	800	850	950
F250 SUPER DUTY LATE	4x4	Super Cab	No	6.8 Box	6.8L V10	5200	6084	8800	n/a	---	---	---	7173	7	---	---	350	450	450	450
F250 SUPER DUTY LATE	4x4	Super Cab	No	6.8 Box	6.8L V10	4800	6084	8800	n/a	---	---	---	7173	7	---	---	350	500	550	650
F250 SUPER DUTY LATE	4x4	Super Cab	No	8.0 Box	5.4L V8	5200	6084	8800	n/a	---	---	---	7173	7	---	---	300	350	400	400
F250 SUPER DUTY LATE	4x4	Super Cab	No	8.0 Box	5.4L V8	4800	6084	8800	n/a	---	---	---	7173	7	---	---	300	400	500	600
F250 SUPER DUTY LATE	4x4	Super Cab	No	8.0 Box	6.0L D	5200	6084	8800	n/a	---	---	---	7173	7	---	---	800	---	---	---
F250 SUPER DUTY LATE	4x4	Super Cab	No	8.0 Box	6.8L V10	5200	6084	8800	n/a	---	---	---	7173	7	---	---	350	450	450	450
F250 SUPER DUTY LATE	4x4	Super Cab	No	8.0 Box	6.8L V10	4800	6084	8800	n/a	---	---	---	7173	7	---	---	350	1000	---	---
F250 SUPER DUTY LATE	4x4	Crew Cab	No	6.8 Box	5.4L V8	5200	6084	8800	n/a	---	---	---	7173	7	---	---	250	300	350	350
F250 SUPER DUTY LATE	4x4	Crew Cab	No	6.8 Box	5.4L V8	4800	6084	8800	n/a	---	---	---	7173	7	---	---	250	450	500	600
F250 SUPER DUTY LATE	4x4	Crew Cab	No	6.8 Box	6.8L V10	5200	6084	8800	n/a	---	---	---	7173	7	---	---	300	400	400	400
F250 SUPER DUTY LATE	4x4	Crew Cab	No	6.8 Box	6.8L V10	4800	6084	8800	n/a	---	---	---	7173	7	---	---	500	---	---	---
F250 SUPER DUTY LATE	4x4	Crew Cab	No	8.0 Box	5.4L V8	5200	6084	8800	n/a	---	---	---	7173	7	---	---	250	350	350	350
F250 SUPER DUTY LATE	4x4	Crew Cab	No	8.0 Box	5.4L V8	4800	6084	8800	n/a	---	---	---	7173	7	---	---	350	950	1000	---
F250 SUPER DUTY LATE	4x4	Crew Cab	No	8.0 Box	6.8L V10	5200	6084	8800	n/a	---	---	---	7173	7	---	---	300	400	400	400
F250 SUPER DUTY LATE	4x4	Crew Cab	No	8.0 Box	6.8L V10	4800	6084	8800	n/a	---	---	---	7173	7	---	---	1000	---	---	---
F350 SUPER DUTY EARLY	4x4	Reg Cab	No	8.0 Box	5.4L V8	5200	6830	9900	2B use 29051 or HB5 use 29050	n/a	---	---	7159-2	7	---	---	---	450	450	450
F350 SUPER DUTY EARLY	4x4	Reg Cab	No	8.0 Box	5.4L V8	5200	6830	9700		n/a	---	---	7159-2	7	---	---	---	400	400	450
F350 SUPER DUTY EARLY	4x4	Reg Cab	No	8.0 Box	5.4L V8	4800	6830	9900		n/a	---	---	7159-2	7	---	---	---	450	450	450
F350 SUPER DUTY EARLY	4x4	Reg Cab	No	8.0 Box	5.4L V8	4800	6830	9700		n/a	---	---	7159-2	7	---	---	---	400	400	450
F350 SUPER DUTY EARLY	4x4	Reg Cab	No	8.0 Box	6.0L D	5200	6830	9900		n/a	---	---	7159-2	7	---	---	---	700	750	850
F350 SUPER DUTY EARLY	4x4	Reg Cab	No	8.0 Box	6.0L D	5200	6830	9700		n/a	---	---	7159-2	7	---	---	---	650	650	700
F350 SUPER DUTY EARLY	4x4	Reg Cab	No	8.0 Box	6.8L V10	5200	6830	9900		n/a	---	---	7159-2	7	---	---	---	500	500	500
F350 SUPER DUTY EARLY	4x4	Reg Cab	No	8.0 Box	6.8L V10	5200	6830	9700		n/a	---	---	7159-2	7	---	---	---	500	500	500
F350 SUPER DUTY EARLY	4x4	Reg Cab	No	8.0 Box	6.8L V10	4800	6830	9900		n/a	---	---	7159-2	7	---	---	---	500	500	500
F350 SUPER DUTY EARLY	4x4	Reg Cab	No	8.0 Box	6.8L V10	4800	6830	9700		n/a	---	---	7159-2	7	---	---	---	500	500	500
F350 SUPER DUTY EARLY	4x4	Reg Cab	Yes	8.0 Box	5.4L V8	5200	8250	11200		n/a	---	---	7159-2	7	---	---	---	---	300	300
F350 SUPER DUTY EARLY	4x4	Reg Cab	Yes	8.0 Box	5.4L V8	5200	8250	11000		n/a	---	---	7159-2	7	---	---	---	---	300	300
F350 SUPER DUTY EARLY	4x4	Reg Cab	Yes	8.0 Box	5.4L V8	4800	8250	11200		n/a	---	---	7159-2	7	---	---	---	---	300	350
F350 SUPER DUTY EARLY	4x4	Reg Cab	Yes	8.0 Box	5.4L V8	4800	8250	11000		n/a	---	---	7159-2	7	---	---	---	---	800	900
F350 SUPER DUTY EARLY	4x4	Reg Cab	Yes	8.0 Box	6.0L D	5200	8250	11500		n/a	---	---	7159-2	7	---	---	---	---	850	950
F350 SUPER DUTY EARLY	4x4	Reg Cab	Yes	8.0 Box	6.0L D	5200	8250	11200		n/a	---	---	7159-2	7	---	---	---	---	850	950
F350 SUPER DUTY EARLY	4x4	Reg Cab	Yes	8.0 Box	6.8L V10	5200	8250	11200		n/a	---	---	7159-2	7	---	---	---	---	300	300
F350 SUPER DUTY EARLY	4x4	Reg Cab	Yes	8.0 Box	6.8L V10	5200	8250	11000		n/a	---	---	7159-2	7	---	---	---	---	300	300
F350 SUPER DUTY EARLY	4x4	Reg Cab	Yes	8.0 Box	6.8L V10	4800	8250	11200		n/a	---	---	7159-2	7	---	---	---	---	550	650

Notes:  
 1. Ballast amounts are based on a "Representative Vehicle," defined in the vehicle selection guide instructions, and must be modified for all other configurations for axle and GVWR compliance.  
 7. "EARLY" indicates a build date before 12-01-2003, "LATE" indicates a build date on or after 12-01-2003.



# 2004 Ford

## Section 1

### Homesteader™, LD-Series & M-Series Snowplows



Blade Length	6'-8"	7'-4"
Blade Assembly	Personal	Personal
Blade Part Number	27547	27549
Common Attachment Kit / Headgear Kit	27550	
Hydraulic Kit	27517	
Common Light	8435	
Choose Module	DRLs: 29070, Non-DRLs: 29060	
Choose a Hand-Held Control or a Joystick Control	9400	
	8292	



6'-9" LD	7'-1/2" LD	7'-1/2" RD M	8' HD M	8'-1/2" HD M	9' HD M
28069	27775	27500	28000	28500	29000
27750-1			27777		
9825-1			9840-2		
28800					
DRLs: 29070, Non-DRLs: 29060					
9400					
8292					

Model	Body Style	DRW	Box Option	Engine Type	Min F G A W R	Min R G A W R	Min G V W R	Peculiar Light Kit	Personal Plow system		Ballast Guidelines, lbs (1)	MM2 system		Ballast Guidelines, lbs (1)							
									Peculiar Att.Kit	Notes		Peculiar Att.Kit	Notes								
F350 SUPER DUTY EARLY	4x4	Super Cab	No	6.8 Box	5.4L V8	5200	6830	9900	n/a	---	---	---	7159-2	7	---	---	---	---	350	400	400
F350 SUPER DUTY EARLY	4x4	Super Cab	No	6.8 Box	5.4L V8	5200	6830	9700	n/a	---	---	---	7159-2	7	---	---	---	---	350	350	400
F350 SUPER DUTY EARLY	4x4	Super Cab	No	6.8 Box	5.4L V8	4800	6830	9900	n/a	---	---	---	7159-2	7	---	---	---	---	350	400	400
F350 SUPER DUTY EARLY	4x4	Super Cab	No	6.8 Box	5.4L V8	4800	6830	9700	n/a	---	---	---	7159-2	7	---	---	---	---	350	350	400
F350 SUPER DUTY EARLY	4x4	Super Cab	No	6.8 Box	6.0L D	5200	6830	9900	n/a	---	---	---	7159-2	7	---	---	---	---	900	950	---
F350 SUPER DUTY EARLY	4x4	Super Cab	No	6.8 Box	6.0L D	5200	6830	9700	n/a	---	---	---	7159-2	7	---	---	---	---	750	850	900
F350 SUPER DUTY EARLY	4x4	Super Cab	No	6.8 Box	6.8L V10	5200	6830	9900	n/a	---	---	---	7159-2	7	---	---	---	---	450	450	450
F350 SUPER DUTY EARLY	4x4	Super Cab	No	6.8 Box	6.8L V10	5200	6830	9700	n/a	---	---	---	7159-2	7	---	---	---	---	450	450	450
F350 SUPER DUTY EARLY	4x4	Super Cab	No	6.8 Box	6.8L V10	4800	6830	9900	n/a	---	---	---	7159-2	7	---	---	---	---	600	650	750
F350 SUPER DUTY EARLY	4x4	Super Cab	No	6.8 Box	6.8L V10	4800	6830	9700	n/a	---	---	---	7159-2	7	---	---	---	---	450	550	600
F350 SUPER DUTY EARLY	4x4	Super Cab	No	8.0 Box	5.4L V8	5200	6830	9900	n/a	---	---	---	7159-2	7	---	---	---	---	400	400	400
F350 SUPER DUTY EARLY	4x4	Super Cab	No	8.0 Box	5.4L V8	5200	6830	9700	n/a	---	---	---	7159-2	7	---	---	---	---	400	400	400
F350 SUPER DUTY EARLY	4x4	Super Cab	No	8.0 Box	5.4L V8	4800	6830	9900	n/a	---	---	---	7159-2	7	---	---	---	---	500	600	700
F350 SUPER DUTY EARLY	4x4	Super Cab	No	8.0 Box	5.4L V8	4800	6830	9700	n/a	---	---	---	7159-2	7	---	---	---	---	400	450	550
F350 SUPER DUTY EARLY	4x4	Super Cab	No	8.0 Box	6.8L V10	5200	6830	9900	n/a	---	---	---	7159-2	7	---	---	---	---	450	450	500
F350 SUPER DUTY EARLY	4x4	Super Cab	No	8.0 Box	6.8L V10	5200	6830	9700	n/a	---	---	---	7159-2	7	---	---	---	---	450	450	450
F350 SUPER DUTY EARLY	4x4	Super Cab	Yes	8.0 Box	5.4L V8	5200	8250	11200	n/a	---	---	---	7159-2	7	---	---	---	---	---	200	250
F350 SUPER DUTY EARLY	4x4	Super Cab	Yes	8.0 Box	5.4L V8	5200	8250	11000	n/a	---	---	---	7159-2	7	---	---	---	---	---	250	250
F350 SUPER DUTY EARLY	4x4	Super Cab	Yes	8.0 Box	5.4L V8	4800	8250	11200	n/a	---	---	---	7159-2	7	---	---	---	---	---	800	900
F350 SUPER DUTY EARLY	4x4	Super Cab	Yes	8.0 Box	6.8L V10	5200	8250	11200	n/a	---	---	---	7159-2	7	---	---	---	---	---	250	250
F350 SUPER DUTY EARLY	4x4	Super Cab	Yes	8.0 Box	6.8L V10	5200	8250	11000	n/a	---	---	---	7159-2	7	---	---	---	---	---	250	300
F350 SUPER DUTY EARLY	4x4	Crew Cab	No	6.8 Box	5.4L V8	5200	6830	9900	n/a	---	---	---	7159-2	7	---	---	---	---	350	350	350
F350 SUPER DUTY EARLY	4x4	Crew Cab	No	6.8 Box	5.4L V8	5200	6830	9700	n/a	---	---	---	7159-2	7	---	---	---	---	350	350	350
F350 SUPER DUTY EARLY	4x4	Crew Cab	No	6.8 Box	5.4L V8	4800	6830	9900	n/a	---	---	---	7159-2	7	---	---	---	---	550	650	700
F350 SUPER DUTY EARLY	4x4	Crew Cab	No	6.8 Box	5.4L V8	4800	6830	9700	n/a	---	---	---	7159-2	7	---	---	---	---	400	500	550
F350 SUPER DUTY EARLY	4x4	Crew Cab	No	6.8 Box	6.8L V10	5200	6830	9900	n/a	---	---	---	7159-2	7	---	---	---	---	350	350	350
F350 SUPER DUTY EARLY	4x4	Crew Cab	No	6.8 Box	6.8L V10	4800	6830	9900	n/a	---	---	---	7159-2	7	---	---	---	---	550	650	700
F350 SUPER DUTY EARLY	4x4	Crew Cab	No	6.8 Box	6.8L V10	4800	6830	9700	n/a	---	---	---	7159-2	7	---	---	---	---	400	500	550
F350 SUPER DUTY EARLY	4x4	Crew Cab	No	8.0 Box	5.4L V8	5200	6830	9900	n/a	---	---	---	7159-2	7	---	---	---	---	350	350	400
F350 SUPER DUTY EARLY	4x4	Crew Cab	No	8.0 Box	5.4L V8	5200	6830	9700	n/a	---	---	---	7159-2	7	---	---	---	---	350	350	350
F350 SUPER DUTY EARLY	4x4	Crew Cab	No	8.0 Box	5.4L V8	4800	6830	9900	n/a	---	---	---	7159-2	7	---	---	---	---	900	1000	---
F350 SUPER DUTY EARLY	4x4	Crew Cab	No	8.0 Box	6.8L V10	5200	6830	9900	n/a	---	---	---	7159-2	7	---	---	---	---	400	450	450
F350 SUPER DUTY EARLY	4x4	Crew Cab	No	8.0 Box	6.8L V10	5200	6830	9700	n/a	---	---	---	7159-2	7	---	---	---	---	400	400	450
F350 SUPER DUTY EARLY	4x4	Crew Cab	Yes	6.8 Box	6.8L V10	5200	8250	11500	n/a	---	---	---	7159-2	7	---	---	---	---	---	250	250
F350 SUPER DUTY EARLY	4x4	Crew Cab	Yes	6.8 Box	6.8L V10	5200	8250	11200	n/a	---	---	---	7159-2	7	---	---	---	---	---	250	250
F350 SUPER DUTY EARLY	4x4	Crew Cab	Yes	6.8 Box	6.8L V10	5200	8250	11000	n/a	---	---	---	7159-2	7	---	---	---	---	---	250	250

- Notes:
- Ballast amounts are based on a "Representative Vehicle," defined in the vehicle selection guide instructions, and must be modified for all other configurations for axle and GVWR compliance.
  - "EARLY" indicates a build date before 12-01-2003, "LATE" indicates a build date on or after 12-01-2003.

# 2004 Ford

## Section 1

### Homesteader™, LD-Series & M-Series Snowplows



Blade Length	6'-8"	7'-4"
Blade Assembly	Personal	Personal
Blade Part Number	27547	27549
Common Attachment Kit / Headgear Kit	27550	
Hydraulic Kit	27517	
Common Light	8435	
Choose Module	DRLs: 29070, Non-DRLs: 29060	
Choose a Hand-Held Control or a Joystick Control	9400 8292	



6'-9" LD	7'-1/2" LD	7'-1/2" RD M	8' HD M	8'-1/2" HD M	9' HD M
28069	27775	27500	28000	28500	29000
27750-1			27777		
9825-1			9840-2		
28800					
DRLs: 29070, Non-DRLs: 29060					
9400					
8292					

Model	Body Style	DRW	Box Option	Engine Type	Min F G A W R	Min R G A W R	Min G V W R	Peculiar Light Kit	Personal Plow system		Ballast Guidelines, lbs (1)	MM2 system		Ballast Guidelines, lbs (1)						
									Peculiar Att.Kit	Notes		Peculiar Att.Kit	Notes	200	200	200	200	200	200	
F350 SUPER DUTY EARLY	4x4	Crew Cab	Yes	8.0 Box	6.8L V10	5200	8250	11500	n/a	---	---	---	7159-2	7	---	---	---	---	200	200
F350 SUPER DUTY EARLY	4x4	Crew Cab	Yes	8.0 Box	6.8L V10	5200	8250	11200	n/a	---	---	---	7159-2	7	---	---	---	---	200	200
F350 SUPER DUTY EARLY	4x4	Crew Cab	Yes	8.0 Box	6.8L V10	5200	8250	11000	n/a	---	---	---	7159-2	7	---	---	---	---	200	200
F350 SUPER DUTY EARLY	4x4	All	No	Chassis	All	All	All	8501	n/a	---	---	---	7159-2	7	---	---	---	?	?	?
F350 SUPER DUTY EARLY	4x4	All	Yes	Chassis	All	All	All	8501	n/a	---	---	---	7159-2	7	---	---	---	---	?	?
F350 SUPER DUTY LATE	4x4	Reg Cab	No	8.0 Box	5.4L V8	5200	6830	9900	n/a	---	---	---	7173	7	---	---	---	400	400	450
F350 SUPER DUTY LATE	4x4	Reg Cab	No	8.0 Box	5.4L V8	5200	6830	9700	n/a	---	---	---	7173	7	---	---	---	400	400	400
F350 SUPER DUTY LATE	4x4	Reg Cab	No	8.0 Box	5.4L V8	4800	6830	9900	n/a	---	---	---	7173	7	---	---	---	400	400	450
F350 SUPER DUTY LATE	4x4	Reg Cab	No	8.0 Box	5.4L V8	4800	6830	9700	n/a	---	---	---	7173	7	---	---	---	400	400	400
F350 SUPER DUTY LATE	4x4	Reg Cab	No	8.0 Box	6.0L D	5200	6830	9900	n/a	---	---	---	7173	7	---	---	---	650	650	750
F350 SUPER DUTY LATE	4x4	Reg Cab	No	8.0 Box	6.0L D	5200	6830	9700	n/a	---	---	---	7173	7	---	---	---	650	650	650
F350 SUPER DUTY LATE	4x4	Reg Cab	No	8.0 Box	6.8L V10	5200	6830	9900	n/a	---	---	---	7173	7	---	---	---	500	500	500
F350 SUPER DUTY LATE	4x4	Reg Cab	No	8.0 Box	6.8L V10	5200	6830	9700	n/a	---	---	---	7173	7	---	---	---	450	450	500
F350 SUPER DUTY LATE	4x4	Reg Cab	No	8.0 Box	6.8L V10	4800	6830	9900	n/a	---	---	---	7173	7	---	---	---	500	500	500
F350 SUPER DUTY LATE	4x4	Reg Cab	No	8.0 Box	6.8L V10	4800	6830	9700	n/a	---	---	---	7173	7	---	---	---	450	450	500
F350 SUPER DUTY LATE	4x4	Reg Cab	Yes	8.0 Box	5.4L V8	5200	8250	11200	n/a	---	---	---	7173	7	---	---	---	---	300	300
F350 SUPER DUTY LATE	4x4	Reg Cab	Yes	8.0 Box	5.4L V8	5200	8250	11000	n/a	---	---	---	7173	7	---	---	---	---	300	300
F350 SUPER DUTY LATE	4x4	Reg Cab	Yes	8.0 Box	5.4L V8	4800	8250	11200	n/a	---	---	---	7173	7	---	---	---	---	300	300
F350 SUPER DUTY LATE	4x4	Reg Cab	Yes	8.0 Box	5.4L V8	4800	8250	11000	n/a	---	---	---	7173	7	---	---	---	---	700	750
F350 SUPER DUTY LATE	4x4	Reg Cab	Yes	8.0 Box	6.0L D	5200	8250	11500	n/a	---	---	---	7173	7	---	---	---	---	750	850
F350 SUPER DUTY LATE	4x4	Reg Cab	Yes	8.0 Box	6.0L D	5200	8250	11200	n/a	---	---	---	7173	7	---	---	---	---	750	850
F350 SUPER DUTY LATE	4x4	Reg Cab	Yes	8.0 Box	6.8L V10	5200	8250	11200	n/a	---	---	---	7173	7	---	---	---	---	250	300
F350 SUPER DUTY LATE	4x4	Reg Cab	Yes	8.0 Box	6.8L V10	5200	8250	11000	n/a	---	---	---	7173	7	---	---	---	---	250	300
F350 SUPER DUTY LATE	4x4	Reg Cab	Yes	8.0 Box	6.8L V10	4800	8250	11200	n/a	---	---	---	7173	7	---	---	---	---	450	550
F350 SUPER DUTY LATE	4x4	Reg Cab	Yes	8.0 Box	6.8L V10	4800	8250	11000	n/a	---	---	---	7173	7	---	---	---	---	1000	---
F350 SUPER DUTY LATE	4x4	Super Cab	No	6.8 Box	5.4L V8	5200	6830	9900	n/a	---	---	---	7173	7	---	---	---	350	350	400
F350 SUPER DUTY LATE	4x4	Super Cab	No	6.8 Box	5.4L V8	5200	6830	9700	n/a	---	---	---	7173	7	---	---	---	350	350	350
F350 SUPER DUTY LATE	4x4	Super Cab	No	6.8 Box	5.4L V8	4800	6830	9900	n/a	---	---	---	7173	7	---	---	---	350	350	400
F350 SUPER DUTY LATE	4x4	Super Cab	No	6.8 Box	5.4L V8	4800	6830	9700	n/a	---	---	---	7173	7	---	---	---	350	350	350
F350 SUPER DUTY LATE	4x4	Super Cab	No	6.8 Box	6.0L D	5200	6830	9900	n/a	---	---	---	7173	7	---	---	---	800	850	950
F350 SUPER DUTY LATE	4x4	Super Cab	No	6.8 Box	6.0L D	5200	6830	9700	n/a	---	---	---	7173	7	---	---	---	650	750	800
F350 SUPER DUTY LATE	4x4	Super Cab	No	6.8 Box	6.8L V10	5200	6830	9900	n/a	---	---	---	7173	7	---	---	---	450	450	450
F350 SUPER DUTY LATE	4x4	Super Cab	No	6.8 Box	6.8L V10	5200	6830	9700	n/a	---	---	---	7173	7	---	---	---	400	400	450
F350 SUPER DUTY LATE	4x4	Super Cab	No	6.8 Box	6.8L V10	4800	6830	9900	n/a	---	---	---	7173	7	---	---	---	500	550	650
F350 SUPER DUTY LATE	4x4	Super Cab	No	6.8 Box	6.8L V10	4800	6830	9700	n/a	---	---	---	7173	7	---	---	---	400	450	500

2B use  
29051 or  
HB5 use  
29050

Notes:  
1. Ballast amounts are based on a "Representative Vehicle," defined in the vehicle selection guide instructions, and must be modified for all other configurations for axle and GVWR compliance.  
7. "EARLY" indicates a build date before 12-01-2003, "LATE" indicates a build date on or after 12-01-2003.

# 2004 Ford

## Section 1

### Homesteader™, LD-Series & M-Series Snowplows



Blade Length	6'-8"	7'-4"
Blade Assembly	Personal	Personal
Blade Part Number	27547	27549
Common Attachment Kit / Headgear Kit	27550	
Hydraulic Kit	27517	
Common Light	8435	
Choose Module	DRLs: 29070, Non-DRLs: 29060	
Choose a Hand-Held Control or a Joystick Control	9400	
	8292	



6'-9" LD	7'-1/2" LD	7'-1/2" RD M	8' HD M	8'-1/2" HD M	9' HD M
28069	27775	27500	28000	28500	29000
27750-1			27777		
9825-1			9840-2		
28800					
DRLs: 29070, Non-DRLs: 29060					
9400					
8292					

Model	Body Style	DRW	Box Option	Engine Type	Min F G A W R	Min R G A W R	Min G V W R	Peculiar Light Kit	Personal Plow system		Ballast Guidelines, lbs (1)	MM2 system		Ballast Guidelines, lbs (1)						
									Peculiar Att.Kit	Notes		Peculiar Att.Kit	Notes	400	400	400	350	400	400	450
F350 SUPER DUTY LATE	4x4	Super Cab	No	8.0 Box	5.4L V8	5200	6830	9900	n/a	---	---	---	7173	7	---	---	---	400	400	400
F350 SUPER DUTY LATE	4x4	Super Cab	No	8.0 Box	5.4L V8	5200	6830	9700	n/a	---	---	---	7173	7	---	---	---	350	400	400
F350 SUPER DUTY LATE	4x4	Super Cab	No	8.0 Box	5.4L V8	4800	6830	9900	n/a	---	---	---	7173	7	---	---	---	400	500	600
F350 SUPER DUTY LATE	4x4	Super Cab	No	8.0 Box	5.4L V8	4800	6830	9700	n/a	---	---	---	7173	7	---	---	---	350	400	450
F350 SUPER DUTY LATE	4x4	Super Cab	No	8.0 Box	6.8L V10	5200	6830	9900	n/a	---	---	---	7173	7	---	---	---	450	450	450
F350 SUPER DUTY LATE	4x4	Super Cab	No	8.0 Box	6.8L V10	5200	6830	9700	n/a	---	---	---	7173	7	---	---	---	400	450	450
F350 SUPER DUTY LATE	4x4	Super Cab	No	8.0 Box	6.8L V10	4800	6830	9700	n/a	---	---	---	7173	7	---	---	---	900	1000	---
F350 SUPER DUTY LATE	4x4	Super Cab	Yes	8.0 Box	5.4L V8	5200	8250	11200	n/a	---	---	---	7173	7	---	---	---	---	200	200
F350 SUPER DUTY LATE	4x4	Super Cab	Yes	8.0 Box	5.4L V8	5200	8250	11000	n/a	---	---	---	7173	7	---	---	---	---	200	250
F350 SUPER DUTY LATE	4x4	Super Cab	Yes	8.0 Box	5.4L V8	4800	8250	11200	n/a	---	---	---	7173	7	---	---	---	---	650	750
F350 SUPER DUTY LATE	4x4	Super Cab	Yes	8.0 Box	6.8L V10	5200	8250	11200	n/a	---	---	---	7173	7	---	---	---	---	200	250
F350 SUPER DUTY LATE	4x4	Super Cab	Yes	8.0 Box	6.8L V10	5200	8250	11000	n/a	---	---	---	7173	7	---	---	---	---	250	250
F350 SUPER DUTY LATE	4x4	Crew Cab	No	6.8 Box	5.4L V8	5200	6830	9900	n/a	---	---	---	7173	7	---	---	---	300	350	350
F350 SUPER DUTY LATE	4x4	Crew Cab	No	6.8 Box	5.4L V8	5200	6830	9700	n/a	---	---	---	7173	7	---	---	---	300	350	350
F350 SUPER DUTY LATE	4x4	Crew Cab	No	6.8 Box	5.4L V8	4800	6830	9900	n/a	---	---	---	7173	7	---	---	---	450	500	600
F350 SUPER DUTY LATE	4x4	Crew Cab	No	6.8 Box	5.4L V8	4800	6830	9700	n/a	---	---	---	7173	7	---	---	---	300	400	450
F350 SUPER DUTY LATE	4x4	Crew Cab	No	6.8 Box	6.8L V10	5200	6830	9900	n/a	---	---	---	7173	7	---	---	---	300	350	350
F350 SUPER DUTY LATE	4x4	Crew Cab	No	6.8 Box	6.8L V10	5200	6830	9700	n/a	---	---	---	7173	7	---	---	---	300	350	350
F350 SUPER DUTY LATE	4x4	Crew Cab	No	6.8 Box	6.8L V10	4800	6830	9900	n/a	---	---	---	7173	7	---	---	---	450	500	600
F350 SUPER DUTY LATE	4x4	Crew Cab	No	6.8 Box	6.8L V10	4800	6830	9700	n/a	---	---	---	7173	7	---	---	---	300	350	350
F350 SUPER DUTY LATE	4x4	Crew Cab	No	6.8 Box	6.8L V10	5200	6830	9900	n/a	---	---	---	7173	7	---	---	---	400	400	450
F350 SUPER DUTY LATE	4x4	Crew Cab	No	6.8 Box	6.8L V10	5200	6830	9700	n/a	---	---	---	7173	7	---	---	---	400	400	400
F350 SUPER DUTY LATE	4x4	Crew Cab	Yes	6.8 Box	6.8L V10	5200	8250	11500	n/a	---	---	---	7173	7	---	---	---	---	200	250
F350 SUPER DUTY LATE	4x4	Crew Cab	Yes	6.8 Box	6.8L V10	5200	8250	11200	n/a	---	---	---	7173	7	---	---	---	---	200	250
F350 SUPER DUTY LATE	4x4	Crew Cab	Yes	6.8 Box	6.8L V10	5200	8250	11000	n/a	---	---	---	7173	7	---	---	---	---	200	250
F350 SUPER DUTY LATE	4x4	Crew Cab	Yes	8.0 Box	6.8L V10	5200	8250	11500	n/a	---	---	---	7173	7	---	---	---	---	200	200
F350 SUPER DUTY LATE	4x4	Crew Cab	Yes	8.0 Box	6.8L V10	5200	8250	11200	n/a	---	---	---	7173	7	---	---	---	---	200	200
F350 SUPER DUTY LATE	4x4	Crew Cab	Yes	8.0 Box	6.8L V10	5200	8250	11000	n/a	---	---	---	7173	7	---	---	---	---	200	200
F350 SUPER DUTY LATE	4x4	All	No	Chassis	All	All	All	8501	n/a	---	---	---	7173	7	---	---	---	?	?	?
F350 SUPER DUTY LATE	4x4	All	Yes	Chassis	All	All	All	8501	n/a	---	---	---	7173	7	---	---	---	---	?	?
F450 SUPER DUTY EARLY	4x4	All	Yes	Chassis	All	All	All	8501	n/a	---	---	---	7159-2	7	---	---	---	---	?	?
F450 SUPER DUTY EARLY	4x2	All	Yes	Chassis	All	All	All	10001	n/a	---	---	---	7159-2	7	---	---	---	---	?	?
F450 SUPER DUTY LATE	4x4	All	Yes	Chassis	All	All	All	8501	n/a	---	---	---	7173	7	---	---	---	---	?	?
F450 SUPER DUTY LATE	4x2	All	Yes	Chassis	All	All	All	10001	n/a	---	---	---	7173	7	---	---	---	---	?	?

- Notes:
- Ballast amounts are based on a "Representative Vehicle," defined in the vehicle selection guide instructions, and must be modified for all other configurations for axle and GVWR compliance.
  - "EARLY" indicates a build date before 12-01-2003, "LATE" indicates a build date on or after 12-01-2003.

# 2004 Ford

## Section 2

### XBLADE™ & MC-Series Snowplows



Blade Length	7-1/2'	7-1/2'	8'	8'	8-1/2'	8-1/2'	9'	9'	9'	10'
Blade Assembly	X SS	X MS	X SS	X MS	X SS	X MS	X SS	X MS	MC	MC
Blade Part Number	27510	27512	28100	28200	28510	28520	29100	29200	29250	29350
Common Attachment Kit / Headgear Kit	28900	27777	28900	27777	28900	27777	28900	27777	29999	28665
A-Frame Kit	n/a								28665	
Hydraulic Kit	9840-2								9835-1	
Common Light	28800									
Choose Module	DRLs: 29070, Non-DRLs: 29060									
Choose a Hand-Held Control or a Joystick Control	9400									
	8292									

Model	Body Style	DRW	Box Option	Engine Type	Min F G A W R	Min R G A W R	Min G V W R	Peculiar Light Kit	MM2 system		Ballast Guidelines, lbs (1)															
									Peculiar Att. Kit	Notes																
F150	4x4	Reg Cab	No	8.0 Box	5.4L V8	4300	4900	8200	H13 use 29049	7174	3	850	850	---	---	---	---	---	---	---	---	---	---	---	---	
F150	4x4	Reg Cab	No	8.0 Box	5.4L V8	4300	4800	8200	2B use 29051 or HB5 use 29050	7174	3	850	850	---	---	---	---	---	---	---	---	---	---	---	---	
F250 SUPER DUTY EARLY	4x4	Reg Cab	No	8.0 Box	5.4L V8	5200	6084	8800		7159-2	7	450	450	500	500	500	500	550	550	---	---	---	---	---	---	---
F250 SUPER DUTY EARLY	4x4	Reg Cab	No	8.0 Box	5.4L V8	4800	6084	8800		7159-2	7	450	450	500	500	500	500	550	550	---	---	---	---	---	---	---
F250 SUPER DUTY EARLY	4x4	Reg Cab	No	8.0 Box	6.0L D	5200	6084	8800		7159-2	7	800	800	---	---	---	---	---	---	---	---	---	---	---	---	---
F250 SUPER DUTY EARLY	4x4	Reg Cab	No	8.0 Box	6.8L V10	5200	6084	8800		7159-2	7	500	500	550	550	600	600	600	600	---	---	---	---	---	---	---
F250 SUPER DUTY EARLY	4x4	Reg Cab	No	8.0 Box	6.8L V10	4800	6084	8800		7159-2	7	500	500	700	700	800	800	950	950	---	---	---	---	---	---	---
F250 SUPER DUTY EARLY	4x4	Super Cab	No	6.8 Box	5.4L V8	5200	6084	8800		7159-2	7	400	400	450	450	450	450	500	500	---	---	---	---	---	---	---
F250 SUPER DUTY EARLY	4x4	Super Cab	No	6.8 Box	5.4L V8	4800	6084	8800		7159-2	7	400	400	450	450	550	550	700	700	---	---	---	---	---	---	---
F250 SUPER DUTY EARLY	4x4	Super Cab	No	6.8 Box	6.8L V10	5200	6084	8800		7159-2	7	450	450	500	500	500	500	550	550	---	---	---	---	---	---	---
F250 SUPER DUTY EARLY	4x4	Super Cab	No	6.8 Box	6.8L V10	4800	6084	8800		7159-2	7	700	700	950	950	---	---	---	---	---	---	---	---	---	---	---
F250 SUPER DUTY EARLY	4x4	Super Cab	No	8.0 Box	5.4L V8	5200	6084	8800		7159-2	7	400	400	450	450	450	450	500	500	---	---	---	---	---	---	---
F250 SUPER DUTY EARLY	4x4	Super Cab	No	8.0 Box	5.4L V8	4800	6084	8800		7159-2	7	650	650	1000	1000	---	---	---	---	---	---	---	---	---	---	---
F250 SUPER DUTY EARLY	4x4	Super Cab	No	8.0 Box	6.8L V10	5200	6084	8800		7159-2	7	450	450	500	500	550	550	550	550	---	---	---	---	---	---	---
F250 SUPER DUTY EARLY	4x4	Crew Cab	No	6.8 Box	5.4L V8	5200	6084	8800		7159-2	7	350	350	400	400	400	400	450	450	---	---	---	---	---	---	---
F250 SUPER DUTY EARLY	4x4	Crew Cab	No	6.8 Box	5.4L V8	4800	6084	8800		7159-2	7	650	650	950	950	---	---	---	---	---	---	---	---	---	---	---
F250 SUPER DUTY EARLY	4x4	Crew Cab	No	6.8 Box	6.8L V10	5200	6084	8800		7159-2	7	400	400	450	450	500	500	500	500	---	---	---	---	---	---	---
F250 SUPER DUTY EARLY	4x4	Crew Cab	No	8.0 Box	5.4L V8	5200	6084	8800		7159-2	7	350	350	400	400	450	450	450	450	---	---	---	---	---	---	---
F250 SUPER DUTY EARLY	4x4	Crew Cab	No	8.0 Box	6.8L V10	5200	6084	8800		7159-2	7	450	450	450	450	500	500	600	600	---	---	---	---	---	---	---
F250 SUPER DUTY LATE	4x4	Reg Cab	No	8.0 Box	5.4L V8	5200	6084	8800		7173	7	400	400	450	450	500	500	500	500	---	---	---	---	---	---	---
F250 SUPER DUTY LATE	4x4	Reg Cab	No	8.0 Box	5.4L V8	4800	6084	8800		7173	7	400	400	450	450	500	500	500	500	---	---	---	---	---	---	---
F250 SUPER DUTY LATE	4x4	Reg Cab	No	8.0 Box	6.0L D	5200	6084	8800		7173	7	700	700	1000	1000	---	---	---	---	---	---	---	---	---	---	---
F250 SUPER DUTY LATE	4x4	Reg Cab	No	8.0 Box	6.8L V10	5200	6084	8800		7173	7	500	500	550	550	550	550	600	600	---	---	---	---	---	---	---
F250 SUPER DUTY LATE	4x4	Reg Cab	No	8.0 Box	6.8L V10	4800	6084	8800		7173	7	500	500	550	550	700	700	850	850	---	---	---	---	---	---	---
F250 SUPER DUTY LATE	4x4	Super Cab	No	6.8 Box	5.4L V8	5200	6084	8800		7173	7	350	350	400	400	450	450	450	450	---	---	---	---	---	---	---
F250 SUPER DUTY LATE	4x4	Super Cab	No	6.8 Box	5.4L V8	4800	6084	8800		7173	7	350	350	400	400	450	450	600	600	---	---	---	---	---	---	---
F250 SUPER DUTY LATE	4x4	Super Cab	No	6.8 Box	6.0L D	5200	6084	8800		7173	7	900	900	---	---	---	---	---	---	---	---	---	---	---	---	---
F250 SUPER DUTY LATE	4x4	Super Cab	No	6.8 Box	6.8L V10	5200	6084	8800		7173	7	450	450	500	500	500	500	550	550	---	---	---	---	---	---	---
F250 SUPER DUTY LATE	4x4	Super Cab	No	6.8 Box	6.8L V10	4800	6084	8800		7173	7	600	600	850	850	1000	1000	---	---	---	---	---	---	---	---	---
F250 SUPER DUTY LATE	4x4	Super Cab	No	8.0 Box	5.4L V8	5200	6084	8800		7173	7	400	400	450	450	450	450	500	500	---	---	---	---	---	---	---
F250 SUPER DUTY LATE	4x4	Super Cab	No	8.0 Box	5.4L V8	4800	6084	8800		7173	7	500	500	850	850	1000	1000	---	---	---	---	---	---	---	---	---
F250 SUPER DUTY LATE	4x4	Super Cab	No	8.0 Box	6.8L V10	5200	6084	8800		7173	7	450	450	500	500	550	550	550	550	---	---	---	---	---	---	---
F250 SUPER DUTY LATE	4x4	Crew Cab	No	6.8 Box	5.4L V8	5200	6084	8800		7173	7	350	350	400	400	400	400	450	450	---	---	---	---	---	---	---
F250 SUPER DUTY LATE	4x4	Crew Cab	No	6.8 Box	5.4L V8	4800	6084	8800		7173	7	550	550	850	850	1000	1000	---	---	---	---	---	---	---	---	---
F250 SUPER DUTY LATE	4x4	Crew Cab	No	6.8 Box	6.8L V10	5200	6084	8800		7173	7	400	400	450	450	450	450	500	500	---	---	---	---	---	---	---
F250 SUPER DUTY LATE	4x4	Crew Cab	No	8.0 Box	5.4L V8	5200	6084	8800		7173	7	350	350	400	400	400	400	450	450	---	---	---	---	---	---	---
F250 SUPER DUTY LATE	4x4	Crew Cab	No	8.0 Box	6.8L V10	5200	6084	8800		7173	7	400	400	450	450	500	500	500	500	---	---	---	---	---	---	---

- Notes:**
- 1. Ballast amounts are based on a "Representative Vehicle," defined in the vehicle selection guide instructions, and must be modified for all other configurations for axle and GVWR compliance.
  - 3. Requires bumper notching.
  - 7. "EARLY" indicates a build date before 12-01-2003, "LATE" indicates a build date on or after 12-01-2003.

# 2004 Ford

## Section 2 XBLADE™ & MC-Series Snowplows



Blade Length	7-1/2'	7-1/2'	8'	8'	8-1/2'	8-1/2'	9'	9'	9'	10'
Blade Assembly	X SS	X MS	X SS	X MS	X SS	X MS	X SS	X MS	MC	MC
Blade Part Number	27510	27512	28100	28200	28510	28520	29100	29200	29250	29350
Common Attachment Kit / Headgear Kit	28900	27777	28900	27777	28900	27777	28900	27777	29999	
A-Frame Kit	n/a								28665	
Hydraulic Kit	9840-2								9835-1	
Common Light	28800									
Choose Module	DRLs: 29070, Non-DRLs: 29060									
Choose a Hand-Held Control or a Joystick Control	9400									
	8292									

Model	Body Style	DRW	Box Option	Engine Type	Min F G A W R	Min R G A W R	Min G V W R	Peculiar Light Kit	MM2 system		Ballast Guidelines, lbs (1)											
									Peculiar Att.Kit	Notes												
F350 SUPER DUTY EARLY	4x4	Reg Cab	No	8.0 Box	5.4L V8	5200	6830	9900	7159-2	7	450	450	500	500	500	500	550	550	---	---	---	---
F350 SUPER DUTY EARLY	4x4	Reg Cab	No	8.0 Box	5.4L V8	5200	6830	9700	7159-2	7	400	400	450	450	500	500	500	500	---	---	---	---
F350 SUPER DUTY EARLY	4x4	Reg Cab	No	8.0 Box	5.4L V8	4800	6830	9900	7159-2	7	450	450	500	500	500	500	550	550	---	---	---	---
F350 SUPER DUTY EARLY	4x4	Reg Cab	No	8.0 Box	5.4L V8	4800	6830	9700	7159-2	7	400	400	450	450	500	500	500	500	---	---	---	---
F350 SUPER DUTY EARLY	4x4	Reg Cab	No	8.0 Box	6.0L D	5200	6830	9900	7159-2	7	800	800	---	---	---	---	---	---	---	---	---	---
F350 SUPER DUTY EARLY	4x4	Reg Cab	No	8.0 Box	6.0L D	5200	6830	9700	7159-2	7	650	650	950	950	---	---	---	---	---	---	---	---
F350 SUPER DUTY EARLY	4x4	Reg Cab	No	8.0 Box	6.8L V10	5200	6830	9900	7159-2	7	500	500	550	550	600	600	600	600	---	---	---	---
F350 SUPER DUTY EARLY	4x4	Reg Cab	No	8.0 Box	6.8L V10	5200	6830	9700	7159-2	7	500	500	550	550	550	550	600	600	---	---	---	---
F350 SUPER DUTY EARLY	4x4	Reg Cab	No	8.0 Box	6.8L V10	4800	6830	9900	7159-2	7	500	500	650	650	800	800	950	950	---	---	---	---
F350 SUPER DUTY EARLY	4x4	Reg Cab	No	8.0 Box	6.8L V10	4800	6830	9700	7159-2	7	500	500	550	550	650	650	800	800	---	---	---	---
F350 SUPER DUTY EARLY	4x4	Reg Cab	Yes	8.0 Box	5.4L V8	5200	8250	11200	7159-2	7	---	---	---	---	350	350	400	400	---	---	---	---
F350 SUPER DUTY EARLY	4x4	Reg Cab	Yes	8.0 Box	5.4L V8	5200	8250	11000	7159-2	7	---	---	---	---	400	400	400	400	---	---	---	---
F350 SUPER DUTY EARLY	4x4	Reg Cab	Yes	8.0 Box	5.4L V8	4800	8250	11200	7159-2	7	---	---	---	---	750	750	850	850	---	---	---	---
F350 SUPER DUTY EARLY	4x4	Reg Cab	Yes	8.0 Box	6.8L V10	5200	8250	11200	7159-2	7	---	---	---	---	350	350	400	400	---	---	---	---
F350 SUPER DUTY EARLY	4x4	Reg Cab	Yes	8.0 Box	6.8L V10	5200	8250	11000	7159-2	7	---	---	---	---	350	350	400	400	---	---	---	---
F350 SUPER DUTY EARLY	4x4	Super Cab	No	6.8 Box	5.4L V8	5200	6830	9900	7159-2	7	400	400	450	450	450	450	500	500	---	---	---	---
F350 SUPER DUTY EARLY	4x4	Super Cab	No	6.8 Box	5.4L V8	5200	6830	9700	7159-2	7	350	350	400	400	450	450	450	450	---	---	---	---
F350 SUPER DUTY EARLY	4x4	Super Cab	No	6.8 Box	5.4L V8	4800	6830	9900	7159-2	7	400	400	450	450	550	550	700	700	---	---	---	---
F350 SUPER DUTY EARLY	4x4	Super Cab	No	6.8 Box	5.4L V8	4800	6830	9700	7159-2	7	350	350	400	400	450	450	550	550	---	---	---	---
F350 SUPER DUTY EARLY	4x4	Super Cab	No	6.8 Box	6.0L D	5200	6830	9900	7159-2	7	1000	1000	---	---	---	---	---	---	---	---	---	---
F350 SUPER DUTY EARLY	4x4	Super Cab	No	6.8 Box	6.0L D	5200	6830	9700	7159-2	7	850	850	---	---	---	---	---	---	---	---	---	---
F350 SUPER DUTY EARLY	4x4	Super Cab	No	6.8 Box	6.8L V10	5200	6830	9900	7159-2	7	450	450	500	500	550	550	550	550	---	---	---	---
F350 SUPER DUTY EARLY	4x4	Super Cab	No	6.8 Box	6.8L V10	5200	6830	9700	7159-2	7	450	450	500	500	500	500	550	550	---	---	---	---
F350 SUPER DUTY EARLY	4x4	Super Cab	No	6.8 Box	6.8L V10	4800	6830	9900	7159-2	7	700	700	950	950	---	---	---	---	---	---	---	---
F350 SUPER DUTY EARLY	4x4	Super Cab	No	6.8 Box	6.8L V10	4800	6830	9700	7159-2	7	550	550	850	850	950	950	---	---	---	---	---	---
F350 SUPER DUTY EARLY	4x4	Super Cab	No	8.0 Box	5.4L V8	5200	6830	9900	7159-2	7	400	400	450	450	500	500	500	500	---	---	---	---
F350 SUPER DUTY EARLY	4x4	Super Cab	No	8.0 Box	5.4L V8	5200	6830	9700	7159-2	7	400	400	450	450	450	450	500	500	---	---	---	---
F350 SUPER DUTY EARLY	4x4	Super Cab	No	8.0 Box	5.4L V8	4800	6830	9900	7159-2	7	650	650	1000	1000	---	---	---	---	---	---	---	---
F350 SUPER DUTY EARLY	4x4	Super Cab	No	8.0 Box	5.4L V8	4800	6830	9700	7159-2	7	500	500	850	850	1000	1000	---	---	---	---	---	---
F350 SUPER DUTY EARLY	4x4	Super Cab	No	8.0 Box	6.8L V10	5200	6830	9900	7159-2	7	450	450	500	500	550	550	550	550	---	---	---	---
F350 SUPER DUTY EARLY	4x4	Super Cab	No	8.0 Box	6.8L V10	5200	6830	9700	7159-2	7	450	450	500	500	500	500	550	550	---	---	---	---
F350 SUPER DUTY EARLY	4x4	Super Cab	Yes	8.0 Box	5.4L V8	5200	8250	11200	7159-2	7	---	---	---	---	300	300	300	300	---	---	---	---
F350 SUPER DUTY EARLY	4x4	Super Cab	Yes	8.0 Box	5.4L V8	5200	8250	11000	7159-2	7	---	---	---	---	300	300	300	300	---	---	---	---
F350 SUPER DUTY EARLY	4x4	Super Cab	Yes	8.0 Box	6.8L V10	5200	8250	11200	7159-2	7	---	---	---	---	300	300	350	350	---	---	---	---
F350 SUPER DUTY EARLY	4x4	Super Cab	Yes	8.0 Box	6.8L V10	5200	8250	11000	7159-2	7	---	---	---	---	750	750	900	900	---	---	---	---

Notes:  
 1. Ballast amounts are based on a "Representative Vehicle," defined in the vehicle selection guide instructions, and must be modified for all other configurations for axle and GVWR compliance.  
 7. "EARLY" indicates a build date before 12-01-2003, "LATE" indicates a build date on or after 12-01-2003.

# 2004 Ford

## Section 2 XBLADE™ & MC-Series Snowplows



Blade Length	7-1/2'	7-1/2'	8'	8'	8-1/2'	8-1/2'	9'	9'	9'	10'
Blade Assembly	X SS	X MS	X SS	X MS	X SS	X MS	X SS	X MS	MC	MC
Blade Part Number	27510	27512	28100	28200	28510	28520	29100	29200	29250	29350
Common Attachment Kit / Headgear Kit	28900	27777	28900	27777	28900	27777	28900	27777	29999	
A-Frame Kit	n/a								28665	
Hydraulic Kit	9840-2								9835-1	
Common Light	28800									
Choose Module	DRLs: 29070, Non-DRLs: 29060									
Choose a Hand-Held Control or a Joystick Control	9400									
	8292									

Model	Body Style	DRW	Box Option	Engine Type	Min F G A W R	Min R G A W R	Min G V W R	Peculiar Light Kit	MM2 system		Ballast Guidelines, lbs (1)									
									Peculiar Att. Kit	Notes										
F350 SUPER DUTY EARLY	4x4	Crew Cab	No	6.8 Box	5.4L V8	5200	6830	9900	7159-2	7	350	350	400	400	400	400	450	450	---	---
F350 SUPER DUTY EARLY	4x4	Crew Cab	No	6.8 Box	5.4L V8	5200	6830	9700	7159-2	7	350	350	400	400	400	400	450	450	---	---
F350 SUPER DUTY EARLY	4x4	Crew Cab	No	6.8 Box	5.4L V8	4800	6830	9900	7159-2	7	650	650	950	950	---	---	---	---	---	---
F350 SUPER DUTY EARLY	4x4	Crew Cab	No	6.8 Box	5.4L V8	4800	6830	9700	7159-2	7	500	500	800	800	950	950	---	---	---	---
F350 SUPER DUTY EARLY	4x4	Crew Cab	No	6.8 Box	6.8L V10	5200	6830	9900	7159-2	7	350	350	400	400	400	400	450	450	---	---
F350 SUPER DUTY EARLY	4x4	Crew Cab	No	6.8 Box	6.8L V10	5200	6830	9700	7159-2	7	350	350	400	400	400	400	450	450	---	---
F350 SUPER DUTY EARLY	4x4	Crew Cab	No	6.8 Box	6.8L V10	4800	6830	9900	7159-2	7	650	650	950	950	---	---	---	---	---	---
F350 SUPER DUTY EARLY	4x4	Crew Cab	No	6.8 Box	6.8L V10	4800	6830	9700	7159-2	7	500	500	800	800	950	950	---	---	---	---
F350 SUPER DUTY EARLY	4x4	Crew Cab	No	8.0 Box	5.4L V8	5200	6830	9900	7159-2	7	350	350	400	400	450	450	450	450	---	---
F350 SUPER DUTY EARLY	4x4	Crew Cab	No	8.0 Box	5.4L V8	5200	6830	9700	7159-2	7	350	350	400	400	400	450	450	450	---	---
F350 SUPER DUTY EARLY	4x4	Crew Cab	No	8.0 Box	5.4L V8	4800	6830	9700	7159-2	7	1000	1000	---	---	---	---	---	---	---	---
F350 SUPER DUTY EARLY	4x4	Crew Cab	No	8.0 Box	6.8L V10	5200	6830	9900	7159-2	7	450	450	500	500	500	500	600	600	---	---
F350 SUPER DUTY EARLY	4x4	Crew Cab	No	8.0 Box	6.8L V10	5200	6830	9700	7159-2	7	400	400	450	450	500	500	500	500	---	---
F350 SUPER DUTY EARLY	4x4	Crew Cab	Yes	6.8 Box	6.8L V10	5200	8250	11500	7159-2	7	---	---	---	---	300	300	350	350	---	---
F350 SUPER DUTY EARLY	4x4	Crew Cab	Yes	6.8 Box	6.8L V10	5200	8250	11200	7159-2	7	---	---	---	---	300	300	350	350	---	---
F350 SUPER DUTY EARLY	4x4	Crew Cab	Yes	6.8 Box	6.8L V10	5200	8250	11000	7159-2	7	---	---	---	---	300	300	350	350	---	---
F350 SUPER DUTY EARLY	4x4	Crew Cab	Yes	8.0 Box	6.8L V10	5200	8250	11500	7159-2	7	---	---	---	---	600	600	750	750	---	---
F350 SUPER DUTY EARLY	4x4	Crew Cab	Yes	8.0 Box	6.8L V10	5200	8250	11200	7159-2	7	---	---	---	---	600	600	750	750	---	---
F350 SUPER DUTY EARLY	4x4	Crew Cab	Yes	8.0 Box	6.8L V10	5200	8250	11000	7159-2	7	---	---	---	---	600	600	750	750	---	---
F350 SUPER DUTY EARLY	4x4	All	No	Chassis	All	All	All	8501	7159-2	7	?	?	?	?	?	?	?	?	---	---
F350 SUPER DUTY EARLY	4x4	All	Yes	Chassis	All	All	All	8501	7159-2	7	---	---	---	---	?	?	?	?	---	---
F350 SUPER DUTY LATE	4x4	Reg Cab	No	8.0 Box	5.4L V8	5200	6830	9900	7173	7	400	400	450	450	500	500	500	500	---	---
F350 SUPER DUTY LATE	4x4	Reg Cab	No	8.0 Box	5.4L V8	5200	6830	9700	7173	7	400	400	450	450	500	500	500	500	---	---
F350 SUPER DUTY LATE	4x4	Reg Cab	No	8.0 Box	5.4L V8	4800	6830	9900	7173	7	400	400	450	450	500	500	500	500	---	---
F350 SUPER DUTY LATE	4x4	Reg Cab	No	8.0 Box	5.4L V8	4800	6830	9700	7173	7	400	400	450	450	500	500	500	500	---	---
F350 SUPER DUTY LATE	4x4	Reg Cab	No	8.0 Box	6.0L D	5200	6830	9900	7173	7	650	650	850	850	1000	1000	---	---	---	---
F350 SUPER DUTY LATE	4x4	Reg Cab	No	8.0 Box	6.8L V10	5200	6830	9900	7173	7	500	500	550	550	550	550	600	600	---	---
F350 SUPER DUTY LATE	4x4	Reg Cab	No	8.0 Box	6.8L V10	5200	6830	9700	7173	7	450	450	500	500	550	550	550	550	---	---
F350 SUPER DUTY LATE	4x4	Reg Cab	No	8.0 Box	6.8L V10	4800	6830	9900	7173	7	500	500	550	550	700	700	850	850	---	---
F350 SUPER DUTY LATE	4x4	Reg Cab	No	8.0 Box	6.8L V10	4800	6830	9700	7173	7	450	450	500	500	550	550	700	700	---	---
F350 SUPER DUTY LATE	4x4	Reg Cab	Yes	8.0 Box	5.4L V8	5200	8250	11200	7173	7	---	---	---	---	350	350	400	400	---	---
F350 SUPER DUTY LATE	4x4	Reg Cab	Yes	8.0 Box	5.4L V8	5200	8250	11000	7173	7	---	---	---	---	350	350	400	400	---	---
F350 SUPER DUTY LATE	4x4	Reg Cab	Yes	8.0 Box	5.4L V8	4800	8250	11200	7173	7	---	---	---	---	600	600	750	750	---	---
F350 SUPER DUTY LATE	4x4	Reg Cab	Yes	8.0 Box	6.8L V10	5200	8250	11200	7173	7	---	---	---	---	350	350	350	350	---	---
F350 SUPER DUTY LATE	4x4	Reg Cab	Yes	8.0 Box	6.8L V10	5200	8250	11000	7173	7	---	---	---	---	350	350	350	350	---	---
F350 SUPER DUTY LATE	4x4	Reg Cab	Yes	8.0 Box	6.8L V10	4800	8250	11200	7173	7	---	---	---	---	900	900	---	---	---	---

Notes:  
 1. Ballast amounts are based on a "Representative Vehicle," defined in the vehicle selection guide instructions, and must be modified for all other configurations for axle and GVWR compliance.  
 2. "EARLY" indicates a build date before 12-01-2003, "LATE" indicates a build date on or after 12-01-2003.

# 2004 Ford

## Section 2 XBLADE™ & MC-Series Snowplows



Blade Length	7-1/2'	7-1/2'	8'	8'	8-1/2'	8-1/2'	9'	9'	9'	10'
Blade Assembly	X SS	X MS	X SS	X MS	X SS	X MS	X SS	X MS	MC	MC
Blade Part Number	27510	27512	28100	28200	28510	28520	29100	29200	29250	29350
Common Attachment Kit / Headgear Kit	28900	27777	28900	27777	28900	27777	28900	27777		29999
A-Frame Kit	n/a									28665
Hydraulic Kit	9840-2									9835-1
Common Light	28800									
Choose Module	DRLs: 29070, Non-DRLs: 29060									
Choose a Hand-Held Control or a Joystick Control	9400									
	8292									

Model	Body Style	DRW	Box Option	Engine Type	Min F G A W R	Min R G A W R	Min G V W R	Peculiar Light Kit	MM2 system		Ballast Guidelines, lbs (1)									
									Peculiar Att.Kit	Notes										
F350 SUPER DUTY LATE	4x4	Super Cab	No	6.8 Box	5.4L V8	5200	6830	9900	7173	7	350	350	400	400	450	450	450	450	---	---
F350 SUPER DUTY LATE	4x4	Super Cab	No	6.8 Box	5.4L V8	5200	6830	9700	7173	7	350	350	400	400	450	450	450	450	---	---
F350 SUPER DUTY LATE	4x4	Super Cab	No	6.8 Box	5.4L V8	4800	6830	9900	7173	7	350	350	400	400	450	450	450	450	---	---
F350 SUPER DUTY LATE	4x4	Super Cab	No	6.8 Box	5.4L V8	4800	6830	9700	7173	7	350	350	400	400	450	450	450	450	---	---
F350 SUPER DUTY LATE	4x4	Super Cab	No	6.8 Box	6.0L D	5200	6830	9900	7173	7	850	850	---	---	---	---	---	---	---	---
F350 SUPER DUTY LATE	4x4	Super Cab	No	6.8 Box	6.0L D	5200	6830	9700	7173	7	750	750	1000	1000	---	---	---	---	---	---
F350 SUPER DUTY LATE	4x4	Super Cab	No	6.8 Box	6.8L V10	5200	6830	9900	7173	7	450	450	500	500	500	500	550	550	---	---
F350 SUPER DUTY LATE	4x4	Super Cab	No	6.8 Box	6.8L V10	5200	6830	9700	7173	7	400	400	450	450	500	500	500	500	---	---
F350 SUPER DUTY LATE	4x4	Super Cab	No	6.8 Box	6.8L V10	4800	6830	9900	7173	7	550	550	850	850	1000	1000	---	---	---	---
F350 SUPER DUTY LATE	4x4	Super Cab	No	6.8 Box	6.8L V10	4800	6830	9700	7173	7	450	450	750	750	850	850	1000	1000	---	---
F350 SUPER DUTY LATE	4x4	Super Cab	No	8.0 Box	5.4L V8	5200	6830	9900	7173	7	400	400	450	450	450	450	500	500	---	---
F350 SUPER DUTY LATE	4x4	Super Cab	No	8.0 Box	5.4L V8	5200	6830	9700	7173	7	400	400	450	450	450	450	500	500	---	---
F350 SUPER DUTY LATE	4x4	Super Cab	No	8.0 Box	5.4L V8	4800	6830	9900	7173	7	500	500	850	850	1000	1000	---	---	---	---
F350 SUPER DUTY LATE	4x4	Super Cab	No	8.0 Box	5.4L V8	4800	6830	9700	7173	7	400	400	700	700	850	850	1000	1000	---	---
F350 SUPER DUTY LATE	4x4	Super Cab	No	8.0 Box	6.8L V10	5200	6830	9900	7173	7	450	450	500	500	500	500	550	550	---	---
F350 SUPER DUTY LATE	4x4	Super Cab	No	8.0 Box	6.8L V10	5200	6830	9700	7173	7	450	450	500	500	500	500	550	550	---	---
F350 SUPER DUTY LATE	4x4	Super Cab	Yes	8.0 Box	5.4L V8	5200	8250	11200	7173	7	---	---	---	---	300	300	300	300	---	---
F350 SUPER DUTY LATE	4x4	Super Cab	Yes	8.0 Box	5.4L V8	5200	8250	11000	7173	7	---	---	---	---	300	300	300	300	---	---
F350 SUPER DUTY LATE	4x4	Super Cab	Yes	8.0 Box	6.8L V10	5200	8250	11200	7173	7	---	---	---	---	300	300	300	300	---	---
F350 SUPER DUTY LATE	4x4	Super Cab	Yes	8.0 Box	6.8L V10	5200	8250	11000	7173	7	---	---	---	---	600	600	750	750	---	---
F350 SUPER DUTY LATE	4x4	Crew Cab	No	6.8 Box	5.4L V8	5200	6830	9900	7173	7	350	350	400	400	400	400	450	450	---	---
F350 SUPER DUTY LATE	4x4	Crew Cab	No	6.8 Box	5.4L V8	5200	6830	9700	7173	7	300	300	350	350	400	400	400	400	---	---
F350 SUPER DUTY LATE	4x4	Crew Cab	No	6.8 Box	5.4L V8	4800	6830	9900	7173	7	550	550	850	850	950	950	---	---	---	---
F350 SUPER DUTY LATE	4x4	Crew Cab	No	6.8 Box	5.4L V8	4800	6830	9700	7173	7	400	400	700	700	850	850	950	950	---	---
F350 SUPER DUTY LATE	4x4	Crew Cab	No	6.8 Box	6.8L V10	5200	6830	9900	7173	7	350	350	400	400	400	400	450	450	---	---
F350 SUPER DUTY LATE	4x4	Crew Cab	No	6.8 Box	6.8L V10	5200	6830	9700	7173	7	300	300	350	350	400	400	400	400	---	---
F350 SUPER DUTY LATE	4x4	Crew Cab	No	6.8 Box	6.8L V10	4800	6830	9900	7173	7	550	550	850	850	950	950	---	---	---	---
F350 SUPER DUTY LATE	4x4	Crew Cab	No	6.8 Box	6.8L V10	4800	6830	9700	7173	7	400	400	700	700	850	850	950	950	---	---
F350 SUPER DUTY LATE	4x4	Crew Cab	No	6.8 Box	6.8L V10	4800	6830	9900	7173	7	400	400	700	700	850	850	950	950	---	---
F350 SUPER DUTY LATE	4x4	Crew Cab	No	6.8 Box	6.8L V10	4800	6830	9700	7173	7	350	350	400	400	400	400	450	450	---	---
F350 SUPER DUTY LATE	4x4	Crew Cab	No	8.0 Box	5.4L V8	5200	6830	9900	7173	7	350	350	400	400	400	400	450	450	---	---
F350 SUPER DUTY LATE	4x4	Crew Cab	No	8.0 Box	5.4L V8	4800	6830	9700	7173	7	900	900	---	---	---	---	---	---	---	---
F350 SUPER DUTY LATE	4x4	Crew Cab	No	8.0 Box	6.8L V10	5200	6830	9900	7173	7	400	400	450	450	500	500	500	500	---	---
F350 SUPER DUTY LATE	4x4	Crew Cab	No	8.0 Box	6.8L V10	5200	6830	9700	7173	7	400	400	450	450	500	500	500	500	---	---

Notes:  
 1. Ballast amounts are based on a "Representative Vehicle," defined in the vehicle selection guide instructions, and must be modified for all other configurations for axle and GVWR compliance.  
 7. "EARLY" indicates a build date before 12-01-2003, "LATE" indicates a build date on or after 12-01-2003.

# 2004 Ford

## Section 2 XBLADE™ & MC-Series Snowplows



Blade Length	7-1/2'	7-1/2'	8'	8'	8-1/2'	8-1/2'	9'	9'	9'	10'
Blade Assembly	X SS	X MS	X SS	X MS	X SS	X MS	X SS	X MS	MC	MC
Blade Part Number	27510	27512	28100	28200	28510	28520	29100	29200	29250	29350
Common Attachment Kit / Headgear Kit	28900	27777	28900	27777	28900	27777	28900	27777	29999	
A-Frame Kit	n/a								28665	
Hydraulic Kit	9840-2								9835-1	
Common Light	28800									
Choose Module	DRLs: 29070, Non-DRLs: 29060									
Choose a Hand-Held Control	9400									
or a Joystick Control	8292									

Model	Body Style	DRW	Box Option	Engine Type	Min F G A W R	Min R G A W R	Min G V W R	Peculiar Light Kit	MM2 system		Ballast Guidelines, lbs (1)											
									Peculiar Att. Kit	Notes												
F350 SUPER DUTY LATE	4x4	Crew Cab	Yes	6.8 Box	6.8L V10	5200	8250	11500	2B use 29051 or HB5 use 29050	7173	7	---	---	---	---	300	300	300	300	---	---	
F350 SUPER DUTY LATE	4x4	Crew Cab	Yes	6.8 Box	6.8L V10	5200	8250	11200		7173	7	---	---	---	---	---	300	300	300	300	---	---
F350 SUPER DUTY LATE	4x4	Crew Cab	Yes	6.8 Box	6.8L V10	5200	8250	11000		7173	7	---	---	---	---	---	300	300	300	300	---	---
F350 SUPER DUTY LATE	4x4	Crew Cab	Yes	8.0 Box	6.8L V10	5200	8250	11500		7173	7	---	---	---	---	---	500	500	650	650	---	---
F350 SUPER DUTY LATE	4x4	Crew Cab	Yes	8.0 Box	6.8L V10	5200	8250	11200		7173	7	---	---	---	---	---	500	500	650	650	---	---
F350 SUPER DUTY LATE	4x4	Crew Cab	Yes	8.0 Box	6.8L V10	5200	8250	11000		7173	7	---	---	---	---	---	500	500	650	650	---	---
F350 SUPER DUTY LATE	4x4	All	No	Chassis	All	All	All	8501		7173	7	?	?	?	?	?	?	?	?	?	?	---
F350 SUPER DUTY LATE	4x4	All	Yes	Chassis	All	All	All	8501		7173	7	---	---	---	---	---	?	?	?	?	?	---
F450 SUPER DUTY EARLY	4x4	All	Yes	Chassis	All	All	All	8501		7159-2	7	---	---	---	---	---	?	?	?	?	?	---
F450 SUPER DUTY EARLY	4x2	All	Yes	Chassis	All	All	All	10001		7159-2	7	---	---	---	---	---	?	?	?	?	?	---
F450 SUPER DUTY LATE	4x4	All	Yes	Chassis	All	All	All	8501		7173	7	---	---	---	---	---	?	?	?	?	?	---
F450 SUPER DUTY LATE	4x2	All	Yes	Chassis	All	All	All	10001		7173	7	---	---	---	---	---	?	?	?	?	?	---
F550 SUPER DUTY EARLY	4x4	All	Yes	Chassis	All	All	All	8501		7159-2	7	---	---	---	---	---	?	?	?	?	?	---
F550 SUPER DUTY EARLY	4x2	All	Yes	Chassis	All	All	All	10001		7159-2	7	---	---	---	---	---	?	?	?	?	?	---
F550 SUPER DUTY LATE	4x4	All	Yes	Chassis	All	All	All	8501		7173	7	---	---	---	---	---	?	?	?	?	?	---
F550 SUPER DUTY LATE	4x2	All	Yes	Chassis	All	All	All	10001		7173	7	---	---	---	---	---	?	?	?	?	?	---
F650	4x2	All	Yes	Chassis	All	All	All	10001	2B use 29053 & 29234 or HB5 use 29053 & 29235	7172	39	---	---	---	---	---	---	---	---	?	?	

**Notes:**

1. Ballast amounts are based on a "Representative Vehicle," defined in the vehicle selection guide instructions, and must be modified for all other configurations for axle and GVWR compliance.
7. "EARLY" indicates a build date before 12-01-2003, "LATE" indicates a build date on or after 12-01-2003.
39. 27,500 max GVWR.



# 2004 Ford

## Section 3

### EZ-V® & XtremeV™ Snowplows



Blade Length	7-1/2'	7-1/2'	8-1/2'	8-1/2'	9-1/2'	9-1/2'	8-1/2'	9-1/2'
Blade Assembly	XV SS	XV MS	XV SS	XV MS	XV SS	XV MS	EZ-V®	EZ-V®
Blade Part Number	44775	44675	44785	44685	44795	44695	28885	28895
Common Attachment Kit / Headgear Kit	44650	44600	44650	44600	44650	44600	28888	
Hydraulic Kit	n/a						9828-4	
Common Light	n/a						28800	
Choose Module	DRLs: 29070, Non-DRLs: 29060							
Choose a Hand-Held Control or a Joystick Control	29600						9800	
	29700						9900	

Model	Body Style	DRW	Box Option	Engine Type	Min F G A W R	Min R G A W R	Min G V W R	Peculiar Light Kit	MM2 system		Ballast Guidelines, lbs (1)										
									Peculiar Att.Kit	Notes	7159-2	7	450	450	500	500	600	600	450	500	
F250 SUPER DUTY EARLY	4x4	Reg Cab	No	8.0 Box	5.4L V8	5200	6084	8800			7159-2	7	450	450	500	500	600	600	450	500	
F250 SUPER DUTY EARLY	4x4	Reg Cab	No	8.0 Box	5.4L V8	4800	6084	8800			7159-2	7	450	450	500	500	---	---	450	500	
F250 SUPER DUTY EARLY	4x4	Reg Cab	No	8.0 Box	6.0L D	5200	6084	8800			7159-2	7	---	---	---	---	---	---	950	---	
F250 SUPER DUTY EARLY	4x4	Reg Cab	No	8.0 Box	6.8L V10	5200	6084	8800			7159-2	7	550	550	550	550	700	700	500	550	
F250 SUPER DUTY EARLY	4x4	Reg Cab	No	8.0 Box	6.8L V10	4800	6084	8800			7159-2	7	650	650	650	950	950	---	---	500	900
F250 SUPER DUTY EARLY	4x4	Super Cab	No	6.8 Box	5.4L V8	5200	6084	8800			7159-2	7	400	400	450	450	550	550	400	450	
F250 SUPER DUTY EARLY	4x4	Super Cab	No	6.8 Box	5.4L V8	4800	6084	8800			7159-2	7	450	450	700	700	---	---	400	600	
F250 SUPER DUTY EARLY	4x4	Super Cab	No	6.8 Box	6.8L V10	5200	6084	8800			7159-2	7	500	500	500	500	600	600	450	500	
F250 SUPER DUTY EARLY	4x4	Super Cab	No	6.8 Box	6.8L V10	4800	6084	8800			7159-2	7	950	950	---	---	---	---	850	---	
F250 SUPER DUTY EARLY	4x4	Super Cab	No	8.0 Box	5.4L V8	5200	6084	8800			7159-2	7	450	450	450	450	600	600	400	450	
F250 SUPER DUTY EARLY	4x4	Super Cab	No	8.0 Box	5.4L V8	4800	6084	8800			7159-2	7	1000	1000	---	---	---	---	850	---	
F250 SUPER DUTY EARLY	4x4	Super Cab	No	8.0 Box	6.8L V10	5200	6084	8800			7159-2	7	500	500	550	550	850	850	500	550	
F250 SUPER DUTY EARLY	4x4	Crew Cab	No	6.8 Box	5.4L V8	5200	6084	8800			7159-2	7	400	400	400	400	500	500	350	400	
F250 SUPER DUTY EARLY	4x4	Crew Cab	No	6.8 Box	5.4L V8	4800	6084	8800			7159-2	7	950	950	---	---	---	---	850	---	
F250 SUPER DUTY EARLY	4x4	Crew Cab	No	6.8 Box	6.8L V10	5200	6084	8800			7159-2	7	450	450	500	500	900	900	400	450	
F250 SUPER DUTY EARLY	4x4	Crew Cab	No	8.0 Box	5.4L V8	5200	6084	8800			7159-2	7	400	400	450	450	750	750	350	400	
F250 SUPER DUTY EARLY	4x4	Crew Cab	No	8.0 Box	6.8L V10	5200	6084	8800			7159-2	7	450	450	650	650	---	---	450	550	
F250 SUPER DUTY EARLY	4x4	Crew Cab	No	8.0 Box	6.8L V10	4800	6084	8800			7159-2	7	400	400	450	450	750	750	350	400	
F250 SUPER DUTY EARLY	4x4	Crew Cab	No	8.0 Box	6.8L V10	5200	6084	8800			7159-2	7	450	450	500	500	600	600	400	450	
F250 SUPER DUTY EARLY	4x4	Crew Cab	No	8.0 Box	6.0L D	5200	6084	8800			7173	7	1000	1000	---	---	---	---	850	---	
F250 SUPER DUTY EARLY	4x4	Reg Cab	No	8.0 Box	5.4L V8	5200	6084	8800			7173	7	500	500	550	550	650	650	500	550	
F250 SUPER DUTY EARLY	4x4	Reg Cab	No	8.0 Box	5.4L V8	4800	6084	8800			7173	7	550	550	850	850	---	---	500	750	
F250 SUPER DUTY EARLY	4x4	Reg Cab	No	8.0 Box	6.8L V10	4800	6084	8800			7173	7	400	400	450	450	550	550	350	400	
F250 SUPER DUTY EARLY	4x4	Super Cab	No	6.8 Box	5.4L V8	4800	6084	8800			7173	7	400	400	400	600	---	---	350	500	
F250 SUPER DUTY EARLY	4x4	Super Cab	No	6.8 Box	6.8L V10	5200	6084	8800			7173	7	450	450	500	500	600	600	450	500	
F250 SUPER DUTY EARLY	4x4	Super Cab	No	6.8 Box	6.8L V10	4800	6084	8800			7173	7	850	850	---	---	---	---	750	---	
F250 SUPER DUTY EARLY	4x4	Super Cab	No	8.0 Box	5.4L V8	5200	6084	8800			7173	7	400	400	450	450	550	550	400	450	
F250 SUPER DUTY EARLY	4x4	Super Cab	No	8.0 Box	5.4L V8	4800	6084	8800			7173	7	400	400	450	450	550	550	400	450	
F250 SUPER DUTY EARLY	4x4	Super Cab	No	8.0 Box	5.4L V8	4800	6084	8800			7173	7	850	850	---	---	---	---	750	---	
F250 SUPER DUTY EARLY	4x4	Super Cab	No	8.0 Box	6.8L V10	5200	6084	8800			7173	7	500	500	550	550	700	700	450	500	
F250 SUPER DUTY EARLY	4x4	Crew Cab	No	6.8 Box	5.4L V8	5200	6084	8800			7173	7	350	350	400	400	500	500	350	400	
F250 SUPER DUTY EARLY	4x4	Crew Cab	No	6.8 Box	5.4L V8	4800	6084	8800			7173	7	850	850	---	---	---	---	750	---	
F250 SUPER DUTY EARLY	4x4	Crew Cab	No	6.8 Box	6.8L V10	5200	6084	8800			7173	7	400	400	450	450	800	800	400	450	
F250 SUPER DUTY EARLY	4x4	Crew Cab	No	8.0 Box	5.4L V8	5200	6084	8800			7173	7	400	400	400	400	650	650	350	400	
F250 SUPER DUTY EARLY	4x4	Crew Cab	No	8.0 Box	6.8L V10	5200	6084	8800			7173	7	450	450	550	550	---	---	400	450	

Notes:  
 1. Ballast amounts are based on a "Representative Vehicle," defined in the vehicle selection guide instructions, and must be modified for all other configurations for axle and GVWR compliance.  
 7. "EARLY" indicates a build date before 12-01-2003, "LATE" indicates a build date on or after 12-01-2003.

# 2004 Ford

## Section 3

### EZ-V® & XtremeV™ Snowplows



Blade Length	7-1/2'	7-1/2'	8-1/2'	8-1/2'	9-1/2'	9-1/2'	8-1/2'	9-1/2'
Blade Assembly	XV SS	XV MS	XV SS	XV MS	XV SS	XV MS	EZ-V®	EZ-V®
Blade Part Number	44775	44675	44785	44685	44795	44695	28885	28895
Common Attachment Kit / Headgear Kit	44650	44600	44650	44600	44650	44600	28888	
Hydraulic Kit	n/a						9828-4	
Common Light	n/a						28800	
Choose Module	DRLs: 29070, Non-DRLs: 29060							
Choose a Hand-Held Control or a Joystick Control	29600						9800	
	29700						9900	

Model	Body Style	DRW	Box Option	Engine Type	Min FAWR	Min RGAWR	Min GVWR	Peculiar Light Kit	MM2 system		Ballast Guidelines, lbs (1)									
									Peculiar Att.Kit	Notes	7159-2	7	450	450	500	500	600	600	450	500
F350 SUPER DUTY EARLY	4x4	Reg Cab	No	8.0 Box	5.4L V8	5200	6830	9900			7159-2	7	450	450	500	500	600	600	450	500
F350 SUPER DUTY EARLY	4x4	Reg Cab	No	8.0 Box	5.4L V8	5200	6830	9700			7159-2	7	450	450	500	500	600	600	400	450
F350 SUPER DUTY EARLY	4x4	Reg Cab	No	8.0 Box	5.4L V8	4800	6830	9900			7159-2	7	450	450	500	500	---	---	450	500
F350 SUPER DUTY EARLY	4x4	Reg Cab	No	8.0 Box	5.4L V8	4800	6830	9700			7159-2	7	450	450	500	500	1000	1000	400	450
F350 SUPER DUTY EARLY	4x4	Reg Cab	No	8.0 Box	6.0L D	5200	6830	9900			7159-2	7	---	---	---	---	---	---	950	---
F350 SUPER DUTY EARLY	4x4	Reg Cab	No	8.0 Box	6.0L D	5200	6830	9700			7159-2	7	950	950	---	---	---	---	800	---
F350 SUPER DUTY EARLY	4x4	Reg Cab	No	8.0 Box	6.8L V10	5200	6830	9900			7159-2	7	550	550	550	550	700	700	500	550
F350 SUPER DUTY EARLY	4x4	Reg Cab	No	8.0 Box	6.8L V10	5200	6830	9700			7159-2	7	500	500	550	550	650	650	500	550
F350 SUPER DUTY EARLY	4x4	Reg Cab	No	8.0 Box	6.8L V10	4800	6830	9900			7159-2	7	650	650	950	950	---	---	550	850
F350 SUPER DUTY EARLY	4x4	Reg Cab	No	8.0 Box	6.8L V10	4800	6830	9700			7159-2	7	500	500	800	800	---	---	500	750
F350 SUPER DUTY EARLY	4x4	Reg Cab	Yes	8.0 Box	5.4L V8	5200	8250	11200			7159-2	7	---	---	350	350	450	450	300	350
F350 SUPER DUTY EARLY	4x4	Reg Cab	Yes	8.0 Box	5.4L V8	5200	8250	11000			7159-2	7	---	---	350	350	500	500	300	350
F350 SUPER DUTY EARLY	4x4	Reg Cab	Yes	8.0 Box	5.4L V8	4800	8250	11200			7159-2	7	---	---	900	900	---	---	450	800
F350 SUPER DUTY EARLY	4x4	Reg Cab	Yes	8.0 Box	5.4L V8	4800	8250	11000			7159-2	7	---	---	---	---	---	---	1000	---
F350 SUPER DUTY EARLY	4x4	Reg Cab	Yes	8.0 Box	6.8L V10	5200	8250	11200			7159-2	7	---	---	350	350	450	450	300	350
F350 SUPER DUTY EARLY	4x4	Reg Cab	Yes	8.0 Box	6.8L V10	5200	8250	11000			7159-2	7	---	---	350	350	800	800	300	350
F350 SUPER DUTY EARLY	4x4	Reg Cab	Yes	8.0 Box	6.8L V10	4800	8250	11200			7159-2	7	---	---	---	---	---	---	750	---
F350 SUPER DUTY EARLY	4x4	Super Cab	No	6.8 Box	5.4L V8	5200	6830	9900			7159-2	7	400	400	450	450	550	550	400	450
F350 SUPER DUTY EARLY	4x4	Super Cab	No	6.8 Box	5.4L V8	5200	6830	9700			7159-2	7	400	400	450	450	550	550	350	400
F350 SUPER DUTY EARLY	4x4	Super Cab	No	6.8 Box	5.4L V8	4800	6830	9900			7159-2	7	400	400	700	700	---	---	400	600
F350 SUPER DUTY EARLY	4x4	Super Cab	No	6.8 Box	5.4L V8	4800	6830	9700			7159-2	7	400	400	550	550	---	---	350	500
F350 SUPER DUTY EARLY	4x4	Super Cab	No	6.8 Box	6.0L D	5200	6830	9700			7159-2	7	---	---	---	---	---	---	1000	---
F350 SUPER DUTY EARLY	4x4	Super Cab	No	6.8 Box	6.8L V10	5200	6830	9900			7159-2	7	500	500	500	500	600	600	450	500
F350 SUPER DUTY EARLY	4x4	Super Cab	No	6.8 Box	6.8L V10	5200	6830	9700			7159-2	7	450	450	500	500	600	600	450	500
F350 SUPER DUTY EARLY	4x4	Super Cab	No	6.8 Box	6.8L V10	4800	6830	9900			7159-2	7	950	950	---	---	---	---	850	---
F350 SUPER DUTY EARLY	4x4	Super Cab	No	6.8 Box	6.8L V10	4800	6830	9700			7159-2	7	850	850	---	---	---	---	700	1000
F350 SUPER DUTY EARLY	4x4	Super Cab	No	8.0 Box	5.4L V8	5200	6830	9900			7159-2	7	450	450	500	500	600	600	400	450
F350 SUPER DUTY EARLY	4x4	Super Cab	No	8.0 Box	5.4L V8	5200	6830	9700			7159-2	7	400	400	450	450	550	550	400	450
F350 SUPER DUTY EARLY	4x4	Super Cab	No	8.0 Box	5.4L V8	4800	6830	9900			7159-2	7	1000	1000	---	---	---	---	850	---
F350 SUPER DUTY EARLY	4x4	Super Cab	No	8.0 Box	5.4L V8	4800	6830	9700			7159-2	7	850	850	---	---	---	---	700	---
F350 SUPER DUTY EARLY	4x4	Super Cab	No	8.0 Box	6.8L V10	5200	6830	9900			7159-2	7	500	500	550	550	900	900	450	500
F350 SUPER DUTY EARLY	4x4	Super Cab	No	8.0 Box	6.8L V10	5200	6830	9700			7159-2	7	500	500	500	500	750	750	450	500
F350 SUPER DUTY EARLY	4x4	Super Cab	Yes	8.0 Box	5.4L V8	5200	8250	11200			7159-2	7	---	---	300	300	400	400	250	300
F350 SUPER DUTY EARLY	4x4	Super Cab	Yes	8.0 Box	5.4L V8	5200	8250	11000			7159-2	7	---	---	300	300	---	---	250	300
F350 SUPER DUTY EARLY	4x4	Super Cab	Yes	8.0 Box	5.4L V8	4800	8250	11200			7159-2	7	---	---	---	---	---	---	1000	---
F350 SUPER DUTY EARLY	4x4	Super Cab	Yes	8.0 Box	6.8L V10	5200	8250	11200			7159-2	7	---	---	300	300	---	---	250	300
F350 SUPER DUTY EARLY	4x4	Super Cab	Yes	8.0 Box	6.8L V10	5200	8250	11000			7159-2	7	---	---	900	900	---	---	450	800

2B use 29051 or HB5 use 29050

Notes:  
 1. Ballast amounts are based on a "Representative Vehicle," defined in the vehicle selection guide instructions, and must be modified for all other configurations for axle and GVWR compliance.  
 7. "EARLY" indicates a build date before 12-01-2003, "LATE" indicates a build date on or after 12-01-2003.

# 2004 Ford

## Section 3

### EZ-V® & XtremeV™ Snowplows



Blade Length	7-1/2'	7-1/2'	8-1/2'	8-1/2'	9-1/2'	9-1/2'	8-1/2'	9-1/2'
Blade Assembly	XV SS	XV MS	XV SS	XV MS	XV SS	XV MS	EZ-V®	EZ-V®
Blade Part Number	44775	44675	44785	44685	44795	44695	28885	28895
Common Attachment Kit / Headgear Kit	44650	44600	44650	44600	44650	44600	28888	
Hydraulic Kit	n/a						9828-4	
Common Light	n/a						28800	
Choose Module	DRLs: 29070, Non-DRLs: 29060							
Choose a Hand-Held Control or a Joystick Control	29600						9800	
	29700						9900	

Model	Body Style	DRW	Box Option	Engine Type	Min FAWR	Min RGAWR	Min GVWR	Peculiar Light Kit	MM2 system		Ballast Guidelines, lbs (1)									
									Peculiar Att.Kit	Notes	7159-2	7	400	400	400	400	500	500	350	400
F350 SUPER DUTY EARLY	4x4	Crew Cab	No	6.8 Box	5.4L V8	5200	6830	9900			7159-2	7	400	400	400	400	500	500	350	400
F350 SUPER DUTY EARLY	4x4	Crew Cab	No	6.8 Box	5.4L V8	5200	6830	9700			7159-2	7	350	350	400	400	500	500	350	400
F350 SUPER DUTY EARLY	4x4	Crew Cab	No	6.8 Box	5.4L V8	4800	6830	9900			7159-2	7	950	950	---	---	---	---	850	---
F350 SUPER DUTY EARLY	4x4	Crew Cab	No	6.8 Box	5.4L V8	4800	6830	9700			7159-2	7	800	800	---	---	---	---	700	---
F350 SUPER DUTY EARLY	4x4	Crew Cab	No	6.8 Box	6.8L V10	5200	6830	9900			7159-2	7	400	400	400	400	500	500	350	400
F350 SUPER DUTY EARLY	4x4	Crew Cab	No	6.8 Box	6.8L V10	5200	6830	9700			7159-2	7	350	350	400	400	500	500	350	400
F350 SUPER DUTY EARLY	4x4	Crew Cab	No	6.8 Box	6.8L V10	4800	6830	9900			7159-2	7	950	950	---	---	---	---	850	---
F350 SUPER DUTY EARLY	4x4	Crew Cab	No	6.8 Box	6.8L V10	4800	6830	9700			7159-2	7	800	800	---	---	---	---	700	---
F350 SUPER DUTY EARLY	4x4	Crew Cab	No	8.0 Box	5.4L V8	5200	6830	9900			7159-2	7	400	400	450	450	750	750	400	400
F350 SUPER DUTY EARLY	4x4	Crew Cab	No	8.0 Box	5.4L V8	5200	6830	9700			7159-2	7	400	400	450	450	600	600	350	400
F350 SUPER DUTY EARLY	4x4	Crew Cab	No	8.0 Box	6.8L V10	5200	6830	9900			7159-2	7	450	450	650	650	---	---	450	550
F350 SUPER DUTY EARLY	4x4	Crew Cab	No	8.0 Box	6.8L V10	5200	6830	9700			7159-2	7	450	450	500	500	---	---	450	450
F350 SUPER DUTY EARLY	4x4	Crew Cab	Yes	6.8 Box	6.8L V10	5200	8250	11500			7159-2	7	---	---	350	350	---	---	250	300
F350 SUPER DUTY EARLY	4x4	Crew Cab	Yes	6.8 Box	6.8L V10	5200	8250	11200			7159-2	7	---	---	350	350	---	---	250	300
F350 SUPER DUTY EARLY	4x4	Crew Cab	Yes	6.8 Box	6.8L V10	5200	8250	11000			7159-2	7	---	---	350	350	---	---	250	300
F350 SUPER DUTY EARLY	4x4	Crew Cab	Yes	8.0 Box	6.8L V10	5200	8250	11500			7159-2	7	---	---	800	800	---	---	350	700
F350 SUPER DUTY EARLY	4x4	Crew Cab	Yes	8.0 Box	6.8L V10	5200	8250	11200			7159-2	7	---	---	800	800	---	---	350	700
F350 SUPER DUTY EARLY	4x4	Crew Cab	Yes	8.0 Box	6.8L V10	5200	8250	11000			7159-2	7	---	---	800	800	---	---	350	700
F350 SUPER DUTY EARLY	4x4	All	No	Chassis	All	All	All	8501			7159-2	7	?	?	?	?	?	?	?	?
F350 SUPER DUTY EARLY	4x4	All	Yes	Chassis	All	All	All	8501			7159-2	7	---	---	?	?	?	?	?	?
F350 SUPER DUTY LATE	4x4	Reg Cab	No	8.0 Box	5.4L V8	5200	6830	9900			7173	7	450	450	500	500	600	600	400	450
F350 SUPER DUTY LATE	4x4	Reg Cab	No	8.0 Box	5.4L V8	5200	6830	9700			7173	7	450	450	500	500	600	600	400	450
F350 SUPER DUTY LATE	4x4	Reg Cab	No	8.0 Box	5.4L V8	4800	6830	9900			7173	7	450	450	500	500	---	---	400	450
F350 SUPER DUTY LATE	4x4	Reg Cab	No	8.0 Box	5.4L V8	4800	6830	9700			7173	7	450	450	500	500	900	900	400	450
F350 SUPER DUTY LATE	4x4	Reg Cab	No	8.0 Box	6.0L D	5200	6830	9900			7173	7	950	950	---	---	---	---	850	---
F350 SUPER DUTY LATE	4x4	Reg Cab	No	8.0 Box	6.0L D	5200	6830	9700			7173	7	850	850	---	---	---	---	700	---
F350 SUPER DUTY LATE	4x4	Reg Cab	No	8.0 Box	6.8L V10	5200	6830	9900			7173	7	500	500	550	550	650	650	500	550
F350 SUPER DUTY LATE	4x4	Reg Cab	No	8.0 Box	6.8L V10	5200	6830	9700			7173	7	500	500	550	550	650	650	450	500
F350 SUPER DUTY LATE	4x4	Reg Cab	No	8.0 Box	6.8L V10	4800	6830	9900			7173	7	550	550	850	850	---	---	500	750
F350 SUPER DUTY LATE	4x4	Reg Cab	No	8.0 Box	6.8L V10	4800	6830	9700			7173	7	500	500	700	700	---	---	450	600
F350 SUPER DUTY LATE	4x4	Reg Cab	Yes	8.0 Box	5.4L V8	5200	8250	11200			7173	7	---	---	350	350	450	450	300	350
F350 SUPER DUTY LATE	4x4	Reg Cab	Yes	8.0 Box	5.4L V8	5200	8250	11000			7173	7	---	---	350	350	450	450	300	350
F350 SUPER DUTY LATE	4x4	Reg Cab	Yes	8.0 Box	5.4L V8	4800	8250	11200			7173	7	---	---	750	750	---	---	350	650
F350 SUPER DUTY LATE	4x4	Reg Cab	Yes	8.0 Box	5.4L V8	4800	8250	11000			7173	7	---	---	---	---	---	---	900	---
F350 SUPER DUTY LATE	4x4	Reg Cab	Yes	8.0 Box	6.0L D	5200	8250	11500			7173	7	---	---	---	---	---	---	950	---
F350 SUPER DUTY LATE	4x4	Reg Cab	Yes	8.0 Box	6.0L D	5200	8250	11200			7173	7	---	---	---	---	---	---	950	---

Notes:  
 1. Ballast amounts are based on a "Representative Vehicle," defined in the vehicle selection guide instructions, and must be modified for all other configurations for axle and GVWR compliance.  
 7. "EARLY" indicates a build date before 12-01-2003, "LATE" indicates a build date on or after 12-01-2003.

# 2004 Ford

## Section 3

### EZ-V® & XtremeV™ Snowplows



Blade Length	7-1/2'	7-1/2'	8-1/2'	8-1/2'	9-1/2'	9-1/2'	8-1/2'	9-1/2'
Blade Assembly	XV SS	XV MS	XV SS	XV MS	XV SS	XV MS	EZ-V®	EZ-V®
Blade Part Number	44775	44675	44785	44685	44795	44695	28885	28895
Common Attachment Kit / Headgear Kit	44650	44600	44650	44600	44650	44600	28888	
Hydraulic Kit	n/a						9828-4	
Common Light	n/a						28800	
Choose Module	DRLs: 29070, Non-DRLs: 29060							
Choose a Hand-Held Control or a Joystick Control	29600						9800	
	29700						9900	

Model	Body Style	DRW	Box Option	Engine Type	Min F G A W R	Min R G A W R	Min G V W R	Peculiar Light Kit	MM2 system		Ballast Guidelines, lbs (1)							
									Peculiar Att.Kit	Notes								
F350 SUPER DUTY LATE	4x4	Reg Cab	Yes	8.0 Box	6.8L V10	5200	8250	11200	7173	7	---	---	350	350	450	450	250	300
F350 SUPER DUTY LATE	4x4	Reg Cab	Yes	8.0 Box	6.8L V10	5200	8250	11000	7173	7	---	---	350	350	700	700	250	300
F350 SUPER DUTY LATE	4x4	Reg Cab	Yes	8.0 Box	6.8L V10	4800	8250	11200	7173	7	---	---	---	---	---	---	650	1000
F350 SUPER DUTY LATE	4x4	Super Cab	No	6.8 Box	5.4L V8	5200	6830	9900	7173	7	400	400	450	450	550	550	350	400
F350 SUPER DUTY LATE	4x4	Super Cab	No	6.8 Box	5.4L V8	5200	6830	9700	7173	7	400	400	400	400	500	500	350	400
F350 SUPER DUTY LATE	4x4	Super Cab	No	6.8 Box	5.4L V8	4800	6830	9900	7173	7	400	400	600	600	---	---	350	500
F350 SUPER DUTY LATE	4x4	Super Cab	No	6.8 Box	5.4L V8	4800	6830	9700	7173	7	400	400	450	450	---	---	350	400
F350 SUPER DUTY LATE	4x4	Super Cab	No	6.8 Box	6.0L D	5200	6830	9700	7173	7	1000	1000	---	---	---	---	900	---
F350 SUPER DUTY LATE	4x4	Super Cab	No	6.8 Box	6.8L V10	5200	6830	9900	7173	7	450	450	500	500	600	600	450	500
F350 SUPER DUTY LATE	4x4	Super Cab	No	6.8 Box	6.8L V10	5200	6830	9700	7173	7	450	450	500	500	600	600	400	450
F350 SUPER DUTY LATE	4x4	Super Cab	No	6.8 Box	6.8L V10	4800	6830	9900	7173	7	850	850	---	---	---	---	750	---
F350 SUPER DUTY LATE	4x4	Super Cab	No	6.8 Box	6.8L V10	4800	6830	9700	7173	7	700	700	1000	1000	---	---	600	900
F350 SUPER DUTY LATE	4x4	Super Cab	No	8.0 Box	5.4L V8	5200	6830	9900	7173	7	400	400	450	450	550	550	400	450
F350 SUPER DUTY LATE	4x4	Super Cab	No	8.0 Box	5.4L V8	5200	6830	9700	7173	7	400	400	450	450	550	550	400	450
F350 SUPER DUTY LATE	4x4	Super Cab	No	8.0 Box	5.4L V8	4800	6830	9900	7173	7	850	850	---	---	---	---	750	---
F350 SUPER DUTY LATE	4x4	Super Cab	No	8.0 Box	5.4L V8	4800	6830	9700	7173	7	700	700	---	---	---	---	600	950
F350 SUPER DUTY LATE	4x4	Super Cab	No	8.0 Box	6.8L V10	5200	6830	9900	7173	7	500	500	500	500	800	800	450	500
F350 SUPER DUTY LATE	4x4	Super Cab	No	8.0 Box	6.8L V10	5200	6830	9700	7173	7	450	450	500	500	650	650	450	500
F350 SUPER DUTY LATE	4x4	Super Cab	Yes	8.0 Box	5.4L V8	5200	8250	11200	7173	7	---	---	300	300	400	400	200	250
F350 SUPER DUTY LATE	4x4	Super Cab	Yes	8.0 Box	5.4L V8	5200	8250	11000	7173	7	---	---	300	300	900	900	200	250
F350 SUPER DUTY LATE	4x4	Super Cab	Yes	8.0 Box	5.4L V8	4800	8250	11200	7173	7	---	---	---	---	---	---	900	---
F350 SUPER DUTY LATE	4x4	Super Cab	Yes	8.0 Box	6.8L V10	5200	8250	11200	7173	7	---	---	300	300	950	950	250	250
F350 SUPER DUTY LATE	4x4	Super Cab	Yes	8.0 Box	6.8L V10	5200	8250	11000	7173	7	---	---	800	800	---	---	300	700
F350 SUPER DUTY LATE	4x4	Crew Cab	No	6.8 Box	5.4L V8	5200	6830	9900	7173	7	350	350	400	400	500	500	350	400
F350 SUPER DUTY LATE	4x4	Crew Cab	No	6.8 Box	5.4L V8	5200	6830	9700	7173	7	350	350	400	400	500	500	350	400
F350 SUPER DUTY LATE	4x4	Crew Cab	No	6.8 Box	5.4L V8	4800	6830	9900	7173	7	850	850	---	---	---	---	700	---
F350 SUPER DUTY LATE	4x4	Crew Cab	No	6.8 Box	5.4L V8	4800	6830	9700	7173	7	700	700	1000	1000	---	---	600	900
F350 SUPER DUTY LATE	4x4	Crew Cab	No	6.8 Box	6.8L V10	5200	6830	9900	7173	7	350	350	400	400	500	500	350	400
F350 SUPER DUTY LATE	4x4	Crew Cab	No	6.8 Box	6.8L V10	5200	6830	9700	7173	7	350	350	400	400	500	500	350	400
F350 SUPER DUTY LATE	4x4	Crew Cab	No	6.8 Box	6.8L V10	4800	6830	9900	7173	7	850	850	---	---	---	---	700	---
F350 SUPER DUTY LATE	4x4	Crew Cab	No	6.8 Box	6.8L V10	4800	6830	9700	7173	7	700	700	1000	1000	---	---	600	900
F350 SUPER DUTY LATE	4x4	Crew Cab	No	8.0 Box	5.4L V8	5200	6830	9900	7173	7	400	400	450	450	600	600	350	400
F350 SUPER DUTY LATE	4x4	Crew Cab	No	8.0 Box	5.4L V8	5200	6830	9700	7173	7	350	350	400	400	500	500	350	400
F350 SUPER DUTY LATE	4x4	Crew Cab	No	8.0 Box	6.8L V10	5200	6830	9900	7173	7	450	450	500	500	---	---	400	450
F350 SUPER DUTY LATE	4x4	Crew Cab	No	8.0 Box	6.8L V10	5200	6830	9700	7173	7	450	450	500	500	---	---	400	450

Notes:  
 1. Ballast amounts are based on a "Representative Vehicle," defined in the vehicle selection guide instructions, and must be modified for all other configurations for axle and GVWR compliance.  
 7. "EARLY" indicates a build date before 12-01-2003, "LATE" indicates a build date on or after 12-01-2003.

# 2004 Ford

## Section 3

### EZ-V® & XtremeV™ Snowplows



Blade Length	7-1/2'	7-1/2'	8-1/2'	8-1/2'	9-1/2'	9-1/2'	8-1/2'	9-1/2'
Blade Assembly	XV SS	XV MS	XV SS	XV MS	XV SS	XV MS	EZ-V®	EZ-V®
Blade Part Number	44775	44675	44785	44685	44795	44695	28885	28895
Common Attachment Kit / Headgear Kit	44650	44600	44650	44600	44650	44600	28888	
Hydraulic Kit	n/a						9828-4	
Common Light	n/a						28800	
Choose Module	DRLs: 29070, Non-DRLs: 29060							
Choose a Hand-Held Control or a Joystick Control	29600						9800	
	29700						9900	

Model	Body Style	DRW	Box Option	Engine Type	Min F G A W R	Min R G A W R	Min G V W R	Peculiar Light Kit	MM2 system		Ballast Guidelines, lbs (1)								
									Peculiar Att.Kit	Notes									
F350 SUPER DUTY LATE	4x4	Crew Cab	Yes	6.8 Box	6.8L V10	5200	8250	11500	2B use 29051 or HB5 use 29050	7173	7	---	---	300	300	950	950	200	250
F350 SUPER DUTY LATE	4x4	Crew Cab	Yes	6.8 Box	6.8L V10	5200	8250	11200		7173	7	---	---	300	300	950	950	200	250
F350 SUPER DUTY LATE	4x4	Crew Cab	Yes	6.8 Box	6.8L V10	5200	8250	11000		7173	7	---	---	300	300	950	950	200	250
F350 SUPER DUTY LATE	4x4	Crew Cab	Yes	8.0 Box	6.8L V10	5200	8250	11500		7173	7	---	---	700	700	---	---	250	600
F350 SUPER DUTY LATE	4x4	Crew Cab	Yes	8.0 Box	6.8L V10	5200	8250	11200		7173	7	---	---	700	700	---	---	250	600
F350 SUPER DUTY LATE	4x4	Crew Cab	Yes	8.0 Box	6.8L V10	5200	8250	11000		7173	7	---	---	700	700	---	---	250	600
F350 SUPER DUTY LATE	4x4	All	No	Chassis	All	All	All	8501		7173	7	?	?	?	?	?	?	?	?
F350 SUPER DUTY LATE	4x4	All	Yes	Chassis	All	All	All	8501		7173	7	---	---	?	?	?	?	?	?
F450 SUPER DUTY EARLY	4x4	All	Yes	Chassis	All	All	All	8501		7159-2	7	---	---	?	?	?	?	?	?
F450 SUPER DUTY EARLY	4x2	All	Yes	Chassis	All	All	All	10001		7159-2	7	---	---	?	?	?	?	?	?
F450 SUPER DUTY LATE	4x4	All	Yes	Chassis	All	All	All	8501		7173	7	---	---	?	?	?	?	?	?
F450 SUPER DUTY LATE	4x2	All	Yes	Chassis	All	All	All	10001		7173	7	---	---	?	?	?	?	?	?
F550 SUPER DUTY EARLY	4x4	All	Yes	Chassis	All	All	All	8501		7159-2	7	---	---	?	?	?	?	?	?
F550 SUPER DUTY EARLY	4x2	All	Yes	Chassis	All	All	All	10001		7159-2	7	---	---	?	?	?	?	?	?
F550 SUPER DUTY LATE	4x4	All	Yes	Chassis	All	All	All	8501		7173	7	---	---	?	?	?	?	?	?
F550 SUPER DUTY LATE	4x2	All	Yes	Chassis	All	All	All	10001		7173	7	---	---	?	?	?	?	?	?

- Notes:
- Ballast amounts are based on a "Representative Vehicle," defined in the vehicle selection guide instructions, and must be modified for all other configurations for axle and GVWR compliance.
  - "EARLY" indicates a build date before 12-01-2003, "LATE" indicates a build date on or after 12-01-2003.

# 2004 Dodge

## Section 1

### Homesteader™, LD-Series & M-Series Snowplows



Blade Length	6'-8"	7'-4"
Blade Assembly	Personal	Personal
Blade Part Number	27547	27549
Common Attachment Kit / Headgear Kit	27550	
Hydraulic Kit	27517	
Common Light	8435	
Choose Module	DRLs: 29070, Non-DRLs: 29060	
Choose a Hand-Held Control or a Joystick Control	9400	
	8292	



6'-9" LD	7'-1/2" LD	7'-1/2" RD M	8' HD M	8'-1/2" HD M	9' HD M
28069	27775	27500	28000	28500	29000
27750-1			27777		
9825-1		9840-2			
28800					
DRLs: 29070, Non-DRLs: 29060					
9400					
8292					

Model	Body Style	DRW	Box Option	Engine Type	Min F G A W R	Min R G A W R	Min G V W R	Peculiar Light Kit	Personal Plow system		Ballast Guidelines, lbs (1)	MM2 system		Ballast Guidelines, lbs (1)										
									Peculiar Att.Kit	Notes		Peculiar Att.Kit	Notes											
DURANGO ST	4x4	SU-4DR	No	---	4.7L V8	3600	3900	6600	H13 use 29049	33903	3.8	---	0	n/a	---	---	---	---	---	---	---	---	---	
DURANGO SLT	4x4	SU-4DR	No	---	4.7L V8	3600	3900	6600		33903	3.8	---	0	n/a	---	---	---	---	---	---	---	---	---	---
DURANGO SLT	4x4	SU-4DR	No	---	5.7L V8	3600	3900	6600		33903	3.8	---	0	n/a	---	---	---	---	---	---	---	---	---	---
DURANGO LIMITED	4x4	SU-4DR	No	---	4.7L V8	3600	3900	6600		33903	3.8	---	0	n/a	---	---	---	---	---	---	---	---	---	---
DURANGO LIMITED	4x4	SU-4DR	No	---	5.7L V8	3600	3900	6600	33903	3.8	---	0	n/a	---	---	---	---	---	---	---	---	---	---	
DAKOTA	4x4	Reg Cab	No	6.5 Box	3.7L V6	3600	3806	5900	HB5 use 29050	n/a	---	---	---	7165	25	---	300	---	---	---	---	---	---	
DAKOTA	4x4	Reg Cab	No	6.5 Box	3.7L V6	3600	3806	5400		n/a	---	---	---	---	7165	25	---	300	---	---	---	---	---	---
DAKOTA	4x4	Club Cab	No	6.5 Box	3.7L V6	3600	3806	6010		n/a	---	---	---	---	7165	25	---	300	---	---	---	---	---	---
DAKOTA SLT	4x4	Reg Cab	No	6.5 Box	3.7L V6	3600	3806	5900		n/a	---	---	---	---	7165	25	---	300	---	---	---	---	---	---
DAKOTA SLT	4x4	Reg Cab	No	6.5 Box	3.7L V6	3600	3806	5400		n/a	---	---	---	---	7165	25	---	300	---	---	---	---	---	---
DAKOTA SLT	4x4	Reg Cab	No	6.5 Box	4.7L V8	3600	3806	5900		n/a	---	---	---	---	7165	25	---	300	---	---	---	---	---	---
DAKOTA SLT	4x4	Reg Cab	No	6.5 Box	4.7L V8	3600	3806	5400		n/a	---	---	---	---	7165	25	---	300	---	---	---	---	---	---
DAKOTA SLT	4x4	Club Cab	No	6.5 Box	3.7L V6	3600	3806	6010		n/a	---	---	---	---	7165	25	---	300	---	---	---	---	---	---
DAKOTA SLT	4x4	Club Cab	No	6.5 Box	4.7L V8	3600	3806	6010		n/a	---	---	---	---	7165	25	---	300	---	---	---	---	---	---
DAKOTA SLT	4x4	Quad Cab	No	5.3 Box	3.7L V6	3600	3806	6010		n/a	---	---	---	---	7165	25	---	200	---	---	---	---	---	---
DAKOTA SLT	4x4	Quad Cab	No	5.3 Box	4.7L V8	3600	3806	6010		n/a	---	---	---	---	7165	25	---	200	---	---	---	---	---	---
DAKOTA SPORT	4x4	Reg Cab	No	6.5 Box	3.7L V6	3600	3806	5900		n/a	---	---	---	---	7165	25	---	300	---	---	---	---	---	---
DAKOTA SPORT	4x4	Reg Cab	No	6.5 Box	3.7L V6	3600	3806	5400		n/a	---	---	---	---	7165	25	---	300	---	---	---	---	---	---
DAKOTA SPORT	4x4	Reg Cab	No	6.5 Box	4.7L V8	3600	3806	5400		n/a	---	---	---	---	7165	25	---	300	---	---	---	---	---	---
DAKOTA SPORT	4x4	Club Cab	No	6.5 Box	3.7L V6	3600	3806	6010		n/a	---	---	---	---	7165	25	---	300	---	---	---	---	---	---
DAKOTA SPORT	4x4	Club Cab	No	6.5 Box	4.7L V8	3600	3806	6010		n/a	---	---	---	---	7165	25	---	300	---	---	---	---	---	---
DAKOTA SPORT	4x4	Quad Cab	No	5.3 Box	3.7L V6	3600	3806	6010		n/a	---	---	---	---	7165	25	---	200	---	---	---	---	---	---
DAKOTA SPORT	4x4	Quad Cab	No	5.3 Box	4.7L V8	3600	3806	6010		n/a	---	---	---	---	7165	25	---	200	---	---	---	---	---	---
RAM 1500	4x4	Reg Cab	No	6.5 Box	4.7L FFV	3900	3900	6350		n/a	---	---	---	---	7167	---	---	200	---	---	---	---	---	---
RAM 1500	4x4	Reg Cab	No	6.5 Box	4.7L OHC	3900	3900	6350		n/a	---	---	---	---	7167	---	---	200	---	---	---	---	---	---
RAM 1500	4x4	Reg Cab	No	6.5 Box	5.7L V8	3900	3900	6350		n/a	---	---	---	---	7167	---	---	200	350	---	---	---	---	---
RAM 1500	4x4	Reg Cab	No	8.0 Box	4.7L V8	3900	3900	6550		n/a	---	---	---	---	7167	---	---	200	---	---	---	---	---	---
RAM 1500	4x4	Reg Cab	No	8.0 Box	5.7L V8	3900	3900	6550		n/a	---	---	---	---	7167	---	---	200	---	---	---	---	---	---
RAM 1500	4x4	Quad Cab	No	6.5 Box	4.7L V8	3900	3900	6650		n/a	---	---	---	---	7167	---	---	250	---	---	---	---	---	---
RAM 1500	4x4	Quad Cab	No	6.5 Box	5.7L V8	3900	3900	6650		n/a	---	---	---	---	7167	---	---	150	---	---	---	---	---	---
RAM 1500 SLT	4x4	Reg Cab	No	6.5 Box	4.7L V8	3900	3900	6350		n/a	---	---	---	---	7167	---	---	200	---	---	---	---	---	---
RAM 1500 SLT	4x4	Reg Cab	No	6.5 Box	5.7L V8	3900	3900	6350		n/a	---	---	---	---	7167	---	---	150	---	---	---	---	---	---
RAM 1500 SLT	4x4	Reg Cab	No	8.0 Box	4.7L V8	3900	3900	6550		n/a	---	---	---	---	7167	---	---	250	---	---	---	---	---	---
RAM 1500 SLT	4x4	Reg Cab	No	8.0 Box	5.7L V8	3900	3900	6550	n/a	---	---	---	---	7167	---	---	250	---	---	---	---	---	---	
RAM 1500 SLT	4x4	Quad Cab	No	6.5 Box	4.7L V8	3900	3900	6650	n/a	---	---	---	---	7167	---	---	400	---	---	---	---	---	---	
RAM 1500 SLT	4x4	Quad Cab	No	6.5 Box	5.7L V8	3900	3900	6650	n/a	---	---	---	---	7167	---	---	250	---	---	---	---	---	---	

Notes:  
 1. Ballast amounts are based on a "Representative Vehicle," defined in the vehicle selection guide instructions, and must be modified for all other configurations for axle and GVWR compliance.  
 3. Requires bumper notching.

8. These Snowplows Are For Personal/Homeowner Use Only.  
 25. Requires LT 235 series tires or larger.

# 2004 Dodge

## Section 1

### Homesteader™, LD-Series & M-Series Snowplows



Blade Length	6'-8"	7'-4"
Blade Assembly	Personal	Personal
Blade Part Number	27547	27549
Common Attachment Kit / Headgear Kit	27550	
Hydraulic Kit	27517	
Common Light	8435	
Choose Module	DRLs: 29070, Non-DRLs: 29060	
Choose a Hand-Held Control or a Joystick Control	9400	
	8292	



6'-9" LD	7'-1/2" LD	7'-1/2" RD M	8' HD M	8'-1/2" HD M	9' HD M
28069	27775	27500	28000	28500	29000
27750-1			27777		
9825-1			9840-2		
28800					
DRLs: 29070, Non-DRLs: 29060					
9400					
8292					

Model	Body Style	DRW	Box Option	Engine Type	Min F G A W R	Min R G A W R	Min G V W R	Peculiar Light Kit	Personal Plow system		Ballast Guidelines, lbs (1)	MM2 system		Ballast Guidelines, lbs (1)						
									Peculiar Att.Kit	Notes		Peculiar Att.Kit	Notes							
RAM 1500 SLT+20" tires	4x4	Reg Cab	No	6.5 Box	4.7L V8	3900	3900	6350	n/a	---	---	---	7167	---	---	200	---	---	---	---
RAM 1500 SLT+20" tires	4x4	Reg Cab	No	6.5 Box	5.7L V8	3900	3900	6350	n/a	---	---	---	7167	---	---	150	---	---	---	---
RAM 1500 SLT+20" tires	4x4	Quad Cab	No	6.5 Box	4.7L V8	3900	3900	6650	n/a	---	---	---	7167	---	---	450	---	---	---	---
RAM 1500 SLT+20" tires	4x4	Quad Cab	No	6.5 Box	5.7L V8	3900	3900	6650	n/a	---	---	---	7167	---	---	300	---	---	---	---
RAM 1500 SLT+LT275/70R17 tires	4x4	Reg Cab	No	6.5 Box	4.7L V8	3900	3900	6350	n/a	---	---	---	7167	---	---	150	---	---	---	---
RAM 1500 SLT+LT275/70R17 tires	4x4	Reg Cab	No	6.5 Box	5.7L V8	3900	3900	6350	n/a	---	---	---	7167	---	---	150	---	---	---	---
RAM 1500 SLT+LT275/70R17 tires	4x4	Reg Cab	No	8.0 Box	4.7L V8	3900	3900	6550	n/a	---	---	---	7167	---	---	300	---	---	---	---
RAM 1500 SLT+LT275/70R17 tires	4x4	Reg Cab	No	8.0 Box	5.7L V8	3900	3900	6550	n/a	---	---	---	7167	---	---	350	---	---	---	---
RAM 1500 SLT+LT275/70R17 tires	4x4	Quad Cab	No	6.5 Box	5.7L V8	3900	3900	6650	n/a	---	---	---	7167	---	---	350	---	---	---	---
RAM 2500	4x4	Reg Cab	No	8.0 Box	5.7L V8	5200	6000	8650	n/a	---	---	---	7170-2	2	---	---	300	400	400	400
RAM 2500	4x4	Reg Cab	No	8.0 Box	5.9L D	5200	6000	9000	n/a	---	---	---	7170-2	2	---	---	550	850	950	1000
RAM 2500	4x4	Reg Cab	No	8.0 Box	5.9L D HO	5200	6000	9000	n/a	---	---	---	7170-2	2,30	---	---	550	800	850	950
RAM 2500	4x4	Quad Cab	No	6.5 Box	5.7L V8	5200	6000	8800	n/a	---	---	---	7170-2	2	---	---	200	300	300	350
RAM 2500	4x4	Quad Cab	No	6.5 Box	5.9L D	5200	6000	9000	n/a	---	---	---	7170-2	2	---	---	500	---	---	---
RAM 2500	4x4	Quad Cab	No	6.5 Box	5.9L D HO	5200	6000	9000	n/a	---	---	---	7170-2	2,30	---	---	450	700	750	850
RAM 2500	4x4	Quad Cab	No	8.0 Box	5.7L V8	5200	6000	8800	n/a	---	---	---	7170-2	2	---	---	250	350	350	350
RAM 2500	4x4	Quad Cab	No	8.0 Box	5.9L D	5200	6000	9000	n/a	---	---	---	7170-2	2	---	---	900	---	---	---
RAM 2500	4x4	Quad Cab	No	8.0 Box	5.9L D HO	5200	6000	9000	n/a	---	---	---	7170-2	2,30	---	---	1000	---	---	---
RAM 2500	4x4	All	No	Chassis	All	All	All	8501	n/a	---	---	---	7170-2	2,30	---	---	?	?	?	?
RAM 2500 SLT	4x4	Reg Cab	No	8.0 Box	5.7L V8	5200	6000	8650	n/a	---	---	---	7170-2	2	---	---	250	350	400	400
RAM 2500 SLT	4x4	Reg Cab	No	8.0 Box	5.9L D	5200	6000	9000	n/a	---	---	---	7170-2	2	---	---	500	900	950	---
RAM 2500 SLT	4x4	Reg Cab	No	8.0 Box	5.9L D HO	5200	6000	9000	n/a	---	---	---	7170-2	2,30	---	---	500	650	750	800
RAM 2500 SLT	4x4	Quad Cab	No	6.5 Box	5.7L V8	5200	6000	8800	n/a	---	---	---	7170-2	2	---	---	200	300	300	300
RAM 2500 SLT	4x4	Quad Cab	No	6.5 Box	5.9L D	5200	6000	9000	n/a	---	---	---	7170-2	2	---	---	450	1000	---	---
RAM 2500 SLT	4x4	Quad Cab	No	8.0 Box	5.7L V8	5200	6000	8800	n/a	---	---	---	7170-2	2	---	---	200	300	300	350
RAM 2500 SLT	4x4	Quad Cab	No	8.0 Box	5.9L D	5200	6000	9000	n/a	---	---	---	7170-2	2	---	---	1000	---	---	---
RAM 3500	4x4	Reg Cab	Yes	8.0 Box	5.7L V8	5200	9350	11500	n/a	---	---	---	7170-2	2	---	---	---	---	150	150
RAM 3500	4x4	Reg Cab	Yes	8.0 Box	5.9L D HO	5200	9350	12000	n/a	---	---	---	7170-2	2,30	---	---	---	---	850	950
RAM 3500	4x4	Quad Cab	Yes	6.5 Box	5.9L D	5200	6150	9900	n/a	---	---	---	7170-2	2	---	---	---	---	1000	---
RAM 3500	4x4	Quad Cab	Yes	6.5 Box	5.9L D HO	5200	6150	9900	n/a	---	---	---	7170-2	2,30	---	---	---	---	750	850
RAM 3500	4x4	Quad Cab	Yes	8.0 Box	5.7L V8	5200	9350	11500	n/a	---	---	---	7170-2	2	---	---	---	---	100	100
RAM 3500	4x4	All	Yes	Chassis	All	All	All	8501	n/a	---	---	---	7170-2	2	---	---	---	---	?	?
RAM 3500	4x2	All	Yes	Chassis	All	All	All	10001	n/a	---	---	---	7170-2	2,30	---	---	---	---	?	?
RAM 3500 SLT	4x4	Reg Cab	Yes	8.0 Box	5.7L V8	5200	9350	11500	n/a	---	---	---	7170-2	2	---	---	---	---	150	150
RAM 3500 SLT	4x4	Reg Cab	Yes	8.0 Box	5.9L D HO	5200	9350	12000	n/a	---	---	---	7170-2	2,30	---	---	---	---	950	---
RAM 3500 SLT	4x4	Quad Cab	Yes	6.5 Box	5.9L D HO	5200	6150	9900	n/a	---	---	---	7170-2	2,30	---	---	---	---	850	950
RAM 3500 SLT	4x4	Quad Cab	Yes	8.0 Box	5.7L V8	5200	9350	11500	n/a	---	---	---	7170-2	2	---	---	---	---	100	100

- Notes:**
1. Ballast amounts are based on a "Representative Vehicle," defined in the vehicle selection guide instructions, and must be modified for all other configurations for axle and GVWR compliance.
  2. Recommended snowplow prep package whenever available.
  30. High output diesel engines require automatic transmission.

# 2004 Dodge

## Section 2 XBLADE™ & MC-Series Snowplows



Blade Length	7-1/2'	7-1/2'	8'	8'	8-1/2'	8-1/2'	9'	9'	9'	10'
Blade Assembly	X SS	X MS	X SS	X MS	X SS	X MS	X SS	X MS	MC	MC
Blade Part Number	27510	27512	28100	28200	28510	28520	29100	29200	29250	29350
Common Attachment Kit / Headgear Kit	28900	27777	28900	27777	28900	27777	28900	27777	29999	28665
A-Frame Kit	n/a								28665	
Hydraulic Kit	9840-2								9835-1	
Common Light	28800									
Choose Module	DRLs: 29070, Non-DRLs: 29060									
Choose a Hand-Held Control or a Joystick Control	9400									
	8292									

Model	Body Style	DRW	Box Option	Engine Type	Min F G A W R	Min R G A W R	Min G V W R	Peculiar Light Kit	MM2 system		Ballast Guidelines, lbs (1)											
									Peculiar Att.Kit	Notes												
RAM 2500	4x4	Reg Cab	No	8.0 Box	5.7L V8	5200	6000	8650	HB5 use 29050	7170-2	2	400	400	450	450	500	500	500	500	---	---	
RAM 2500	4x4	Reg Cab	No	8.0 Box	5.9L D	5200	6000	9000		7170-2	2	950	950	---	---	---	---	---	---	---	---	---
RAM 2500	4x4	Reg Cab	No	8.0 Box	5.9L D HO	5200	6000	9000		7170-2	2,30	900	900	---	---	---	---	---	---	---	---	---
RAM 2500	4x4	Quad Cab	No	6.5 Box	5.7L V8	5200	6000	8800		7170-2	2	300	300	400	400	400	400	400	400	---	---	---
RAM 2500	4x4	Quad Cab	No	6.5 Box	5.9L D HO	5200	6000	9000		7170-2	2,30	800	800	---	---	---	---	---	---	---	---	---
RAM 2500	4x4	Quad Cab	No	8.0 Box	5.7L V8	5200	6000	8800		7170-2	2	350	350	400	400	450	450	450	450	---	---	---
RAM 2500	4x4	All	No	Chassis	All	All	All	8501		7170-2	2,30	?	?	?	?	?	?	?	?	---	---	---
RAM 2500 SLT	4x4	Reg Cab	No	8.0 Box	5.7L V8	5200	6000	8650		7170-2	2	400	400	450	450	450	450	500	500	---	---	---
RAM 2500 SLT	4x4	Reg Cab	No	8.0 Box	5.9L D	5200	6000	9000		7170-2	2	1000	1000	---	---	---	---	---	---	---	---	---
RAM 2500 SLT	4x4	Reg Cab	No	8.0 Box	5.9L D HO	5200	6000	9000		7170-2	2,30	750	750	---	---	---	---	---	---	---	---	---
RAM 2500 SLT	4x4	Quad Cab	No	6.5 Box	5.7L V8	5200	6000	8800		7170-2	2	300	300	350	350	400	400	400	400	---	---	---
RAM 2500 SLT	4x4	Quad Cab	No	8.0 Box	5.7L V8	5200	6000	8800		7170-2	2	300	300	350	350	400	400	400	400	---	---	---
RAM 3500	4x4	Reg Cab	Yes	8.0 Box	5.7L V8	5200	9350	11500		7170-2	2	---	---	---	---	200	200	250	250	---	---	---
RAM 3500	4x4	Quad Cab	Yes	8.0 Box	5.7L V8	5200	9350	11500		7170-2	2	---	---	---	---	150	150	150	150	---	---	---
RAM 3500	4x4	All	Yes	Chassis	All	All	All	8501		7170-2	2	---	---	---	---	?	?	?	?	---	---	---
RAM 3500	4x2	All	Yes	Chassis	All	All	All	10001		7170-2	2,30	---	---	---	---	?	?	?	?	---	---	---
RAM 3500 SLT	4x4	Reg Cab	Yes	8.0 Box	5.7L V8	5200	9350	11500		7170-2	2	---	---	---	---	200	200	250	250	---	---	---
RAM 3500 SLT	4x4	Quad Cab	Yes	8.0 Box	5.7L V8	5200	9350	11500		7170-2	2	---	---	---	---	150	150	150	150	---	---	---

- Notes:**
- Ballast amounts are based on a "Representative Vehicle," defined in the vehicle selection guide instructions, and must be modified for all other configurations for axle and GVWR compliance.
  - Recommended snowplow prep package whenever available.
  - High output diesel engines require automatic transmission.



# 2004 Dodge

## Section 3

### EZ-V® & XtremeV™ Snowplows



Blade Length	7-1/2'	7-1/2'	8-1/2'	8-1/2'	9-1/2'	9-1/2'	8-1/2'	9-1/2'
Blade Assembly	XV SS	XV MS	XV SS	XV MS	XV SS	XV MS	EZ-V®	EZ-V®
Blade Part Number	44775	44675	44785	44685	44795	44695	28885	28895
Common Attachment Kit / Headgear Kit	44650	44600	44650	44600	44650	44600	28888	
Hydraulic Kit	n/a						9828-4	
Common Light	n/a						28800	
Choose Module	DRLs: 29070, Non-DRLs: 29060							
Choose a Hand-Held Control or a Joystick Control	29600						9800	
	29700						9900	

Model	Body Style	DRW	Box Option	Engine Type	Min F G A W R	Min R G A W R	Min G V W R	Peculiar Light Kit	MM2 system		Ballast Guidelines, lbs (1)								
									Peculiar Att.Kit	Notes	7170-2	2	450	450	500	500	600	600	400
RAM 2500	4x4	Reg Cab	No	8.0 Box	5.7L V8	5200	6000	8650	HB5 use 29050	7170-2	2	450	450	500	500	600	600	400	450
RAM 2500	4x4	Quad Cab	No	6.5 Box	5.7L V8	5200	6000	8800		7170-2	2	350	350	400	400	500	500	350	400
RAM 2500	4x4	Quad Cab	No	6.5 Box	5.9L D HO	5200	6000	9000		7170-2	2,30	---	---	---	---	---	---	1000	---
RAM 2500	4x4	Quad Cab	No	8.0 Box	5.7L V8	5200	6000	8800		7170-2	2	400	400	450	450	550	550	350	400
RAM 2500	4x4	All	No	Chassis	All	All	All	8501		7170-2	2,30	?	?	?	?	?	?	?	?
RAM 2500 SLT	4x4	Reg Cab	No	8.0 Box	5.7L V8	5200	6000	8650		7170-2	2	400	400	450	450	550	550	400	450
RAM 2500 SLT	4x4	Reg Cab	No	8.0 Box	5.9L D HO	5200	6000	9000		7170-2	2,30	---	---	---	---	---	---	950	---
RAM 2500 SLT	4x4	Quad Cab	No	6.5 Box	5.7L V8	5200	6000	8800		7170-2	2	350	350	400	400	500	500	300	350
RAM 2500 SLT	4x4	Quad Cab	No	8.0 Box	5.7L V8	5200	6000	8800		7170-2	2	350	350	400	400	500	500	300	350
RAM 3500	4x4	Reg Cab	Yes	8.0 Box	5.7L V8	5200	9350	11500		7170-2	2	---	---	200	200	300	300	150	200
RAM 3500	4x4	Quad Cab	Yes	6.5 Box	5.9L D HO	5200	6150	9900		7170-2	2,30	---	---	---	---	---	---	950	---
RAM 3500	4x4	Quad Cab	Yes	8.0 Box	5.7L V8	5200	9350	11500		7170-2	2	---	---	150	150	500	500	100	150
RAM 3500	4x4	All	Yes	Chassis	All	All	All	8501		7170-2	2	---	---	?	?	?	?	?	?
RAM 3500	4x2	All	Yes	Chassis	All	All	All	10001		7170-2	2,30	---	---	?	?	?	?	?	?
RAM 3500 SLT	4x4	Reg Cab	Yes	8.0 Box	5.7L V8	5200	9350	11500		7170-2	2	---	---	200	200	300	300	150	200
RAM 3500 SLT	4x4	Quad Cab	Yes	8.0 Box	5.7L V8	5200	9350	11500		7170-2	2	---	---	150	150	600	600	100	150

- Notes:**
- Ballast amounts are based on a "Representative Vehicle," defined in the vehicle selection guide instructions, and must be modified for all other configurations for axle and GVWR compliance.
  - Recommended snowplow prep package whenever available.
  - High output diesel engines require automatic transmission.

# 2004 Jeep

## Section 1

### Homesteader™, LD-Series & M-Series Snowplows



Blade Length	6'-8"	7'-4"
Blade Assembly	Personal	Personal
Blade Part Number	27547	27549
Common Attachment Kit / Headgear Kit	27550	
Hydraulic Kit	27517	
Common Light	8435	
Choose Module	DRLs: 29070, Non-DRLs: 29060	
Choose a Hand-Held Control or a Joystick Control	9400	
	8292	



6'-9" LD	7'-1/2" LD	7'-1/2" RD M	8' HD M	8'-1/2" HD M	9' HD M
28069	27775	27500	28000	28500	29000
27750-1		27777			
9825-1		9840-2			
28800					
DRLs: 29070, Non-DRLs: 29060					
9400					
8292					

Model	Body Style	DRW	Box Option	Engine Type	Min FGAWR	Min RGAWR	Min GVWR	Peculiar Light Kit	Personal Plow system		Ballast Guidelines, lbs (1)		MM2 system		Ballast Guidelines, lbs (1)								
									Peculiar Att.Kit	Notes			Peculiar Att.Kit	Notes									
LIBERTY LIMITED	4x4	SU-4DR	No	---	3.7L V6	2750	3150	5600	HB5 use 29050	3713-1	3,8	0	0	n/a	---	---	---	---	---	---	---	---	---
LIBERTY SPORT	4x4	SU-4DR	No	---	2.4L I4	2750	3150	5600	HB5 use 29050	3713-1	3,8	0	0	n/a	---	---	---	---	---	---	---	---	---
LIBERTY RENEGADE	4x4	SU-4DR	No	---	3.7L V6	2750	3150	5600	HB5 use 29050	3713-1	3,8	100	250	n/a	---	---	---	---	---	---	---	---	---
WRANGLER SE	4x4	SU-2DR	No	---	2.5L I4	2200	2600	4450	2D use 29051	3723	8	0	0	7163-1	26	---	---	---	---	---	---	---	---

- Notes:
- Ballast amounts are based on a "Representative Vehicle," defined in the vehicle selection guide instructions, and must be modified for all other configurations for axle and GVWR compliance.
  - Requires bumper notching.

- These Snowplows Are For Personal/Homeowner Use Only.
- Requires MOPAR air shock kit PN 82202562 to increase FGAWR from 2200 to 2500.

# 2004 Mazda

## Section 1

### Homesteader™, LD-Series & M-Series Snowplows



Blade Length	6'-8"	7'-4"
Blade Assembly	Personal	Personal
Blade Part Number	27547	27549
Common Attachment Kit / Headgear Kit	27550	
Hydraulic Kit	27517	
Common Light	8435	
Choose Module	DRLs: 29070, Non-DRLs: 29060	
Choose a Hand-Held Control or a Joystick Control	9400	
	8292	



6'-9" LD	7'-1/2" LD	7'-1/2" RD M	8' HD M	8'-1/2" HD M	9' HD M
28069	27775	27500	28000	28500	29000
27750-1		27777			
9825-1		9840-2			
28800					
DRLs: 29070, Non-DRLs: 29060					
9400					
8292					

Model	Body Style	DRW	Box Option	Engine Type	Min F G A W R	Min R G A W R	Min G V W R	Peculiar Light Kit	Personal Plow system		Ballast Guidelines, lbs (1)	MM2 system		Ballast Guidelines, lbs (1)										
									Peculiar Att.Kit	Notes		Peculiar Att.Kit	Notes											
B4000	4x4	CabPlus	No	6.0 Box	4.0L V6	2850	2600	4960		1203	8	100	150	n/a	---	---	---	---	---	---	---	---	---	
B4000	4x4	CabPlus	No	6.0 Box	4.0L V6	2710	2600	4960	HB5 use 29050	1203	8	200	300	n/a	---	---	---	---	---	---	---	---	---	
B4000	4x4	CabPlus4	No	6.0 Box	4.0L V6	2850	2600	4960		1203	8	100	150	n/a	---	---	---	---	---	---	---	---	---	---
B4000	4x4	CabPlus4	No	6.0 Box	4.0L V6	2710	2600	4960		1203	8	200	300	n/a	---	---	---	---	---	---	---	---	---	---

- Notes:
- Ballast amounts are based on a "Representative Vehicle," defined in the vehicle selection guide instructions, and must be modified for all other configurations for axle and GVWR compliance.
  - These Snowplows Are For Personal/Homeowner Use Only.

# 2004 Nissan

## Section 1

### Homesteader™, LD-Series & M-Series Snowplows



Blade Length	6'-8"	7'-4"
Blade Assembly	Personal	Personal
Blade Part Number	27547	27549
Common Attachment Kit / Headgear Kit	27550	
Hydraulic Kit	27517	
Common Light	8435	
Choose Module	DRLs: 29070, Non-DRLs: 29060	
Choose a Hand-Held Control or a Joystick Control	9400	
	8292	



6'-9" LD	7'-1/2" LD	7'-1/2" RD M	8' HD M	8'-1/2" HD M	9' HD M
28069	27775	27500	28000	28500	29000
27750-1		27777			
9825-1		9840-2			
28800					
DRLs: 29070, Non-DRLs: 29060					
9400					
8292					

Model	Body Style	DRW	Box Option	Engine Type	Min F G A W R	Min R G A W R	Min G V W R	Peculiar Light Kit	Personal Plow system		Ballast Guidelines, lbs (1)	MM2 system		Ballast Guidelines, lbs (1)											
									Peculiar Att.Kit	Notes		Peculiar Att.Kit	Notes												
TITAN XE	4x4	King Cab	No	6.5 Box	5.6L V8	3494	3793	6486			31303	8,40	---	50	n/a	---	---	---	---	---	---	---	---	---	
TITAN XE	4x4	Crew Cab	No	6.5 Box	5.6L V8	3494	3793	6486	HB3/HB4 use 29048 & 28027-1		31303	8,40	---	50	n/a	---	---	---	---	---	---	---	---	---	
TITAN SE	4x4	King Cab	No	6.5 Box	5.6L V8	3494	3793	6486			31303	8,40	---	300	n/a	---	---	---	---	---	---	---	---	---	---
TITAN SE	4x4	Crew Cab	No	6.5 Box	5.6L V8	3494	3793	6486			31303	8,40	---	300	n/a	---	---	---	---	---	---	---	---	---	---
TITAN LE	4x4	King Cab	No	6.5 Box	5.6L V8	3494	3793	6486			31303	8,40	---	450	n/a	---	---	---	---	---	---	---	---	---	---

- Notes:**
- Ballast amounts are based on a "Representative Vehicle," defined in the vehicle selection guide instructions, and must be modified for all other configurations for axle and GVWR compliance.
  - These Snowplows Are For Personal/Homeowner Use Only.
  - Removal of skid plate or splash guard required.

# 2004 Toyota

## Section 1

### Homesteader™, LD-Series & M-Series Snowplows



Blade Length	6'-8"	7'-4"
Blade Assembly	Personal	Personal
Blade Part Number	27547	27549
Common Attachment Kit / Headgear Kit	27550	
Hydraulic Kit	27517	
Common Light	8435	
Choose Module	DRLs: 29070, Non-DRLs: 29060	
Choose a Hand-Held Control or a Joystick Control	9400	
	8292	



6'-9" LD	7'-1/2" LD	7'-1/2" RD M	8' HD M	8'-1/2" HD M	9' HD M
28069	27775	27500	28000	28500	29000
27750-1		27777			
9825-1		9840-2			
28800					
DRLs: 29070, Non-DRLs: 29060					
9400					
8292					

Model	Body Style	DRW	Box Option	Engine Type	Min F G A W R	Min R G A W R	Min G V W R	Peculiar Light Kit	Personal Plow system		Ballast Guidelines, lbs (1)	MM2 system		Ballast Guidelines, lbs (1)							
									Peculiar Att.Kit	Notes		Peculiar Att.Kit	Notes								
TACOMA	4x4	Reg Cab	No	8.0 Box	2.7L I4	2650	2800	5000	HB2 use 29051	2313	8	50	100	7166	21	---	---	---	---	---	---
TACOMA	4x4	Ext Cab	No	6.5 Box	2.7L I4	2650	2800	5000		2313	8	50	100	7166	21	---	---	---	---	---	---
TACOMA	4x4	Ext Cab	No	6.5 Box	3.4L V6	2650	2800	5100		2313	8	100	150	7166	21	---	---	---	---	---	---
TACOMA	4x4	Double Cab	No	5.0 Box	3.4L V6	2650	2800	5100		2313	8	200	300	n/a	---	---	---	---	---	---	---
TUNDRA	4x4	Reg Cab	No	8.0 Box	4.7L V8	3160	3760	6300		2303	8	---	0	n/a	---	---	---	---	---	---	---
TUNDRA	4x4	Double Cab	No	6.2 Box	4.7L V8	3500	3760	6600		2303	8	---	0	n/a	---	---	---	---	---	---	---
TUNDRA SR5	4x4	Ext Cab	No	6.2 Box	4.7L V8	3160	3760	6300		2303	8	---	300	n/a	---	---	---	---	---	---	---
TUNDRA SR5	4x4	Ext Cab	No	6.2 Box	4.7L V8	3160	3760	6010		2303	8	---	350	n/a	---	---	---	---	---	---	---
TUNDRA LIMITED	4x4	Ext Cab	No	6.2 Box	4.7L V8	3160	3760	6300		2303	8	---	200	n/a	---	---	---	---	---	---	---
TUNDRA LIMITED	4x4	Ext Cab	No	6.2 Box	4.7L V8	3160	3760	6010		2303	8	---	200	n/a	---	---	---	---	---	---	---

- Notes:**
- Ballast amounts are based on a "Representative Vehicle," defined in the vehicle selection guide instructions, and must be modified for all other configurations for axle and GVWR compliance.
  - These Snowplows Are For Personal/Homeowner Use Only.
  - Requires 31X10.5/R15 tires or equivalent size minimum.

# 2004 Mitsubishi

## Section 1

### Homesteader™, LD-Series & M-Series Snowplows



Blade Length	6'-8"	7'-4"
Blade Assembly	Personal	Personal
Blade Part Number	27547	27549
Common Attachment Kit / Headgear Kit	27550	
Hydraulic Kit	27517	
Common Light	8435	
Choose Module	DRLs: 29070, Non-DRLs: 29060	
Choose a Hand-Held Control or a Joystick Control	9400	
	8292	



6'-9" LD	7'-1/2" LD	7'-1/2" RD M	8' HD M	8'-1/2" HD M	9' HD M
28069	27775	27500	28000	28500	29000
27750-1		27777			
9825-1		9840-2			
28800					
DRLs: 29070, Non-DRLs: 29060					
9400					
8292					

Model	Body Style	DRW	Box Option	Engine Type	Min FAWR	Min RAWR	Min GVWR	Peculiar Light Kit	Personal Plow system		Ballast Guidelines, lbs (1)	MM2 system		Ballast Guidelines, lbs (1)						
									Peculiar Att.Kit	Notes		Peculiar Att.Kit	Notes							
FG	4x4	All	Yes	Chassis	All	All	10001	HB5 use 29050 & 26641-1	n/a	---	---	---	7162-1	---	---	---	---	---	?	?

**Notes:**  
 1. Ballast amounts are based on a "Representative Vehicle," defined in the vehicle selection guide instructions, and must be modified for all other configurations for axle and GVWR compliance.

# 2004 Mitsubishi

## Section 2 XBLADE™ & MC-Series Snowplows



Blade Length	7-1/2'	7-1/2'	8'	8'	8-1/2'	8-1/2'	9'	9'	9'	10'
Blade Assembly	X SS	X MS	X SS	X MS	X SS	X MS	X SS	X MS	MC	MC
Blade Part Number	27510	27512	28100	28200	28510	28520	29100	29200	29250	29350
Common Attachment Kit / Headgear Kit	28900	27777	28900	27777	28900	27777	28900	27777	29999	
A-Frame Kit	n/a								28665	
Hydraulic Kit	9840-2								9835-1	
Common Light	28800									
Choose Module	DRLs: 29070, Non-DRLs: 29060									
Choose a Hand-Held Control	9400									
or a Joystick Control	8292									

Model	Body Style	DRW	Box Option	Engine Type	Min F G A W R	Min R G A W R	Min G V W R	Peculiar Light Kit	MM2 system		Ballast Guidelines, lbs (1)										
									Peculiar Att.Kit	Notes											
FG	4x4	All	Yes	Chassis	All	All	10001	HB5 use 29050 & 26641-1	7162-1	---	---	---	---	---	---	?	?	?	?	---	---

Notes:  
1. Ballast amounts are based on a "Representative Vehicle," defined in the vehicle selection guide instructions, and must be modified for all other configurations for axle and GVWR compliance.

# 2004 Mitsubishi

## Section 3

### EZ-V® & XtremeV™ Snowplows



Blade Length	7-1/2'	7-1/2'	8-1/2'	8-1/2'	9-1/2'	9-1/2'	8-1/2'	9-1/2'
Blade Assembly	XV SS	XV MS	XV SS	XV MS	XV SS	XV MS	EZ-V®	EZ-V®
Blade Part Number	44775	44675	44785	44685	44795	44695	28885	28895
Common Attachment Kit / Headgear Kit	44650	44600	44650	44600	44650	44600	28888	
Hydraulic Kit	n/a						9828-4	
Common Light	n/a						28800	
Choose Module	DRLs: 29070, Non-DRLs: 29060							
Choose a Hand-Held Control	29600						9800	
or a Joystick Control	29700						9900	

Model	Body Style	DRW	Box Option	Engine Type	Min FGAWR	Min RGAWR	Min GVWR	Peculiar Light Kit	MM2 system		Ballast Guidelines, lbs (1)							
									Peculiar Att.Kit	Notes								
FG	4x4	All	Yes	Chassis	All	All	10001	HB5 use 29050 & 26641-1	7162-1	---	---	---	?	?	---	---	?	---

**Notes:**  
 1. Ballast amounts are based on a "Representative Vehicle," defined in the vehicle selection guide instructions, and must be modified for all other configurations for axle and GVWR compliance.



# 2004 International

## Section 2 XBLADE™ & MC-Series Snowplows



Blade Length	7-1/2'	7-1/2'	8'	8'	8-1/2'	8-1/2'	9'	9'	9'	10'
Blade Assembly	X SS	X MS	X SS	X MS	X SS	X MS	X SS	X MS	MC	MC
Blade Part Number	27510	27512	28100	28200	28510	28520	29100	29200	29250	29350
Common Attachment Kit / Headgear Kit	28900	27777	28900	27777	28900	27777	28900	27777	29999	
A-Frame Kit	n/a								28665	
Hydraulic Kit	9840-2								9835-1	
Common Light	28800									
Choose Module	DRLs: 29070, Non-DRLs: 29060									
Choose a Hand-Held Control or a Joystick Control	9400									
	8292									

Model	Body Style	DRW	Box Option	Engine Type	Min F G A W R	Min R G A W R	Min G V W R	Peculiar Light Kit	MM2 system		Ballast Guidelines, lbs (1)											
									Peculiar Att. Kit	Notes												
4000 SERIES	4x2	All	Yes	Chassis	All	All	10001	2B use 29053 & 29234 or HB5 use 29053 & 29235	7172	39	--	--	--	--	--	--	--	--	--	--	?	?

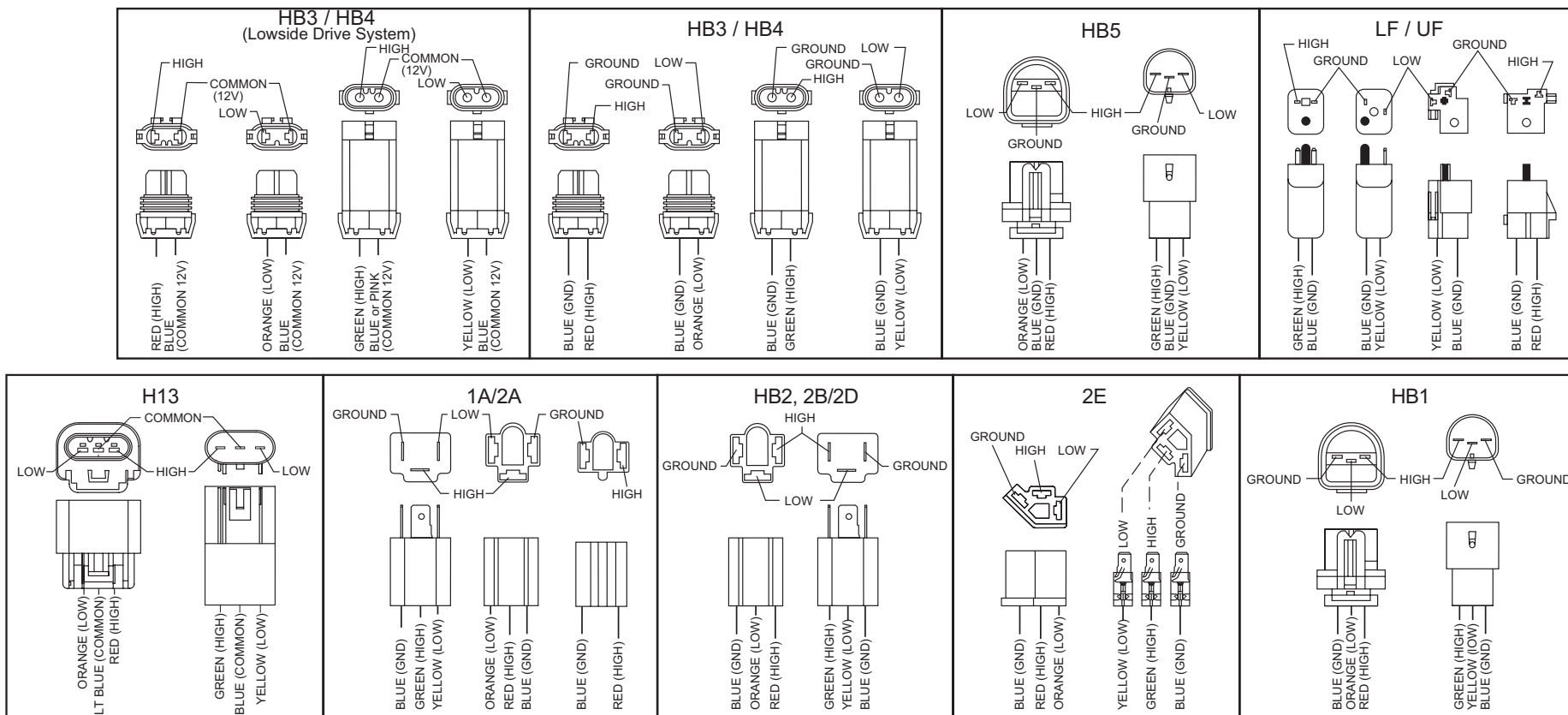
Notes:  
 1. Ballast amounts are based on a "Representative Vehicle," defined in the vehicle selection guide instructions, and must be modified for all other configurations for axle and GVWR compliance.  
 39. 27,500 max GVWR.

# Headlamp Reference Guide

**NOTE:** The lamp type is usually embossed in the headlamp lens.

**NOTE:** Blue ground wires may be LT or DK BLU, w/ or w/o WHT stripe, depending on harness.

Headlamp Type	Bulb Type	Headlamp Type	Bulb Type
LF	H4703	2E1	H6545
UF	H4701	H13	9008
1A1	H4651	HB1	9004
2A1	H4652(GMC/Chevy)	HB2	9003
2A1	H4656 (Mitsubishi)	HB3	9005
2B1	H6054	HB4	9006
2D1	H6024	HB5	9007



# Snowplow Component Weights

Off-Truck Assembly with Blade							
Size	Blade Assembly	Wt (lb)	Z	Size	Blade Assembly	Wt (lb)	Z
6'-8"	Personal Plow	239	20.4	8-1/2'	XBLADE Plow	813	26.5
7'-4"	Personal Plow	257	20.8	9'	XBLADE Plow	835	27.0
6'-9"	LD	472	18.7	8-1/2'	EZ-V® Plow	808	16.0
7-1/2'	LD	487	19.7	9-1/2'	EZ-V Plow	870	16.0
7-1/2'	RD M	637	20.6	7-1/2'	XtremeV™ Snowplow	821	18.3
8'	HD M	717	26.4	8-1/2'	XtremeV Snowplow	876	18.2
8-1/2'	HD M	731	26.5	9-1/2'	XtremeV Snowplow	1005	18.1
9'	HD M	745	26.6	9'	MC	1350	25.5
7-1/2'	XBLADE™ Plow	742	24.5	10'	MC	1410	26.0
8'	XBLADE Plow	790	26.0				

On-Truck Attachment											
Kit #	Wt (lb)	X	Y	Kit #	Wt (lb)	X	Y	Kit #	Wt (lb)	X	Y
<b>Homesteader™ Kits</b>											
1203	34.0	27.0	6.0	1533-1	31.0	26.0	5.0	31543	20.0	28.5	7.1
1213-1	23.0	26.0	6.0	2303	41.0	29.0	6.0	32323	36.0	30.0	7.3
1223	40.0	28.0	7.0	2313	30.0	27.0	5.0	33903	45.0	31.0	7.8
1233	34.0	32.0	7.1	3713-1	20.0	26.0	5.0	42021	37.0	29.0	8.0
1503	26.0	27.0	6.0	3723	35.0	21.4	5.0				
1523	26.0	30.0	6.0	31303	43.0	27.9	4.8				
<b>Minute Mount® 2 Kits</b>											
7124	48.0	29.0	7.0	7156-1	VARIABLES	VARIABLES	VARIABLES	7169	45.0	35.0	10.0
7125	48.0	32.0	8.0	7157	62.0	30.0	7.0	7170-2	54.0	36.0	7.0
7126	88.0	31.0	8.0	7158	55.0	29.0	7.0	7171	111.0	39.0	7.0
7128	110.0	31.0	8.0	7159-2	96.0	31.0	7.0	7172	174.0	39.0	9.8
7129	78.0	32.0	8.0	7160	44.0	32.0	8.0	7173	73.0	31.0	9.8
7131	126.0	31.0	8.0	7161	44.0	32.0	9.0	7174	37.0	32.0	7.1
7132	118.0	31.0	8.0	7162-1	127.0	38.0	7.0	7175	30.0	32.3	8.1
7138	48.0	32.0	8.0	7163-1	32.0	23.0	4.0	7176	52.0	34.6	10.2
7144	73.0	32.0	8.0	7164	173.0	31.0	8.0	7177	111.0	39.0	7.0
7150	60.0	31.0	8.0	7165	55.0	30.0	7.0	7178	37.0	32.5	8.1
7151-2	191.0	30.0	8.0	7166	49.0	31.0	7.0	7179	115.0	38.0	7.0
7152-1	215.0	31.0	8.0	7167	46.0	37.0	9.0	7180	45.0	34.0	8.5
7155	55.0	30.0	7.0	7168	44.0	35.0	9.0				

Accessories		
Description	Kit #	Added Plow Weight
Cutting Edge 7-1/2' LD/RD	5532	59
Cutting Edge 8' HD	5533	84
Cutting Edge 8-1/2' HD	26460	91
Cutting Edge 9' HD	5534	95
Cutting Edge 7-1/2' XBLADE Plow	28575	59
Cutting Edge 8' XBLADE Plow	27580	84
Cutting Edge 8-1/2' XBLADE Plow	27585	91
Cutting Edge 9' XBLADE Plow	27590	95
Cutting Edge 8-1/2' EZ-V Plow	28408	82
Cutting Edge 9-1/2' EZ-V Plow	26593	103
Deflector - Rubber 7-1/2', 8', 8-1/2', 9' RD/HD	22470-1	29,31,33,35
Deflector - Rubber 7-1/2', 8', 8-1/2', 9' XBLADE Plow	27600-1	32,33,34,35
Deflector - Rubber 8-1/2' EZ-V Plow	21619	45
Deflector - Rubber 9-1/2' EZ-V Plow	26572	50
Deflector - Rubber 9' & 10' MC	22390	53
Deflector - Steel 6'-9"	22269	24
Deflector - Steel 7-1/2' LD/RD	283	28
Deflector - Steel 8'	26480	33
Deflector - Steel 8-1/2'	26485	35
Deflector - Steel 9'	26490	36
Poly Shoe Kit Personal Plow	27710	3.3
Shoe Kit LD Blades	27880	22
Shoe Kit XBLADE – Curb/Wear Shoe	27222	38
Curb Shoe Kit – Pair 1/2"	44405	35
Curb Shoe Kit – Pair 5/8"	44406	24
SnoFoil® Assembly for 7-1/2', 8', 8-1/2', 9' M	27100	50
SnoFoil Assembly 9' MC	22380	64
SnoFoil Assembly 10' MC	22200	66

**NOTE:** An abbreviation key is on page 2.

**NOTE:** See next page for variable definitions.

**NOTE:** The addition of accessories to a snowplow or vehicle will require additional ballast above any amount published in this guide in order to maintain FMVSS compliance. Completed vehicle with additional accessories shall not exceed GVWR or GAWR.

# Snowplow Weight Calculation

Available vehicle capacities for aftermarket equipment and components can be determined by using the information in this guide along with information provided by the vehicle manufacturer's *Body Builder Guides*. Follow all requirements and recommendations of the vehicle manufacturer.

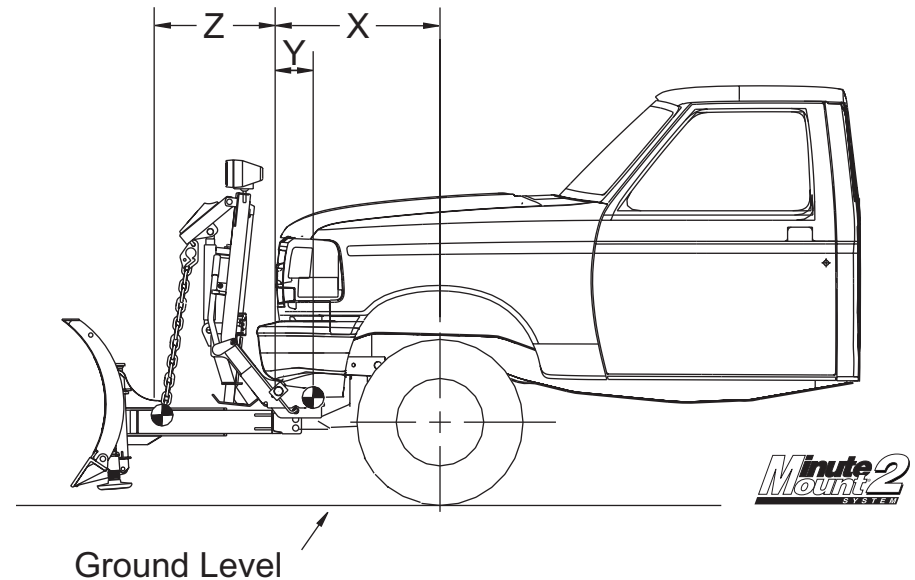
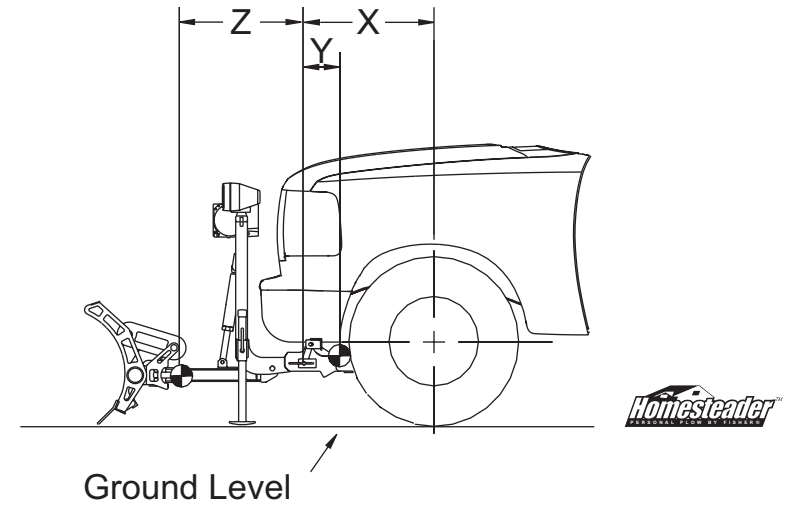
## VARIABLES

X = Distance from front axle to connecting pin.

Y = Distance from connecting pin to attachment Cg.

Z = Distance from connecting pin to plow Cg.

**NOTE:** An abbreviation key is on page 2.



# Ballast Inquiry Sheet



**FISHER ENGINEERING**  
 P.O. Box 529  
 Rockland, Maine 04841

Telephone (207) 701-4200  
 Fax (207) 596-2767

<b>DISTRIBUTOR</b>		<b>TEL</b>
		<b>FAX</b>
<b>CUSTOMER</b>		<b>DATE BUILT</b>
<b>VIN</b>		

## VEHICLE INFORMATION

<b>YEAR</b>			
<b>MAKE</b>			
<b>MODEL</b>			
<b>DRIVE TRAIN</b>	<input type="checkbox"/> 2WD (over 10,000 lb. GVW only)	<input type="checkbox"/> 4WD	<input type="checkbox"/> ALL WHEEL <input type="text"/> OTHER
<b>DRW</b> (Dual Rear Wheels)	<input type="checkbox"/> YES	<input type="checkbox"/> NO	
<b>BODY STYLE</b>	<input type="checkbox"/> REG CAB	<input type="checkbox"/> X-CAB	<input type="text"/> OTHER
<b>BOX OPTION(S)</b>	<input type="checkbox"/> DUMP BOX	<input type="checkbox"/> STAKE BED	<input type="text"/> OTHER
<b>ENGINE TYPE</b>			
<b>GFAWR</b>			
<b>GRAWR</b>			
<b>GVWR</b>			

### HORIZONTAL DISTANCE DESCRIPTION

<b>L31</b>	DRIVER'S hip point; in MIDDLE position, to Centerline of FRONT axle	(in.)
<b>L101</b>	Between axles (Wheelbase)	(in.)
<b>L104</b>	Middle of FRONT bumper to centerline of FRONT axle	(in.)
	Middle of ballast location to centerline of REAR axle	(in.)

### VEHICLE WEIGHT (TRUCK MUST BE WEIGHED COMPLETE AND EMPTY (-) OCCUPANTS, PLOW & MOUNT)

FRONT (lb.)	REAR (lb.)

### FUEL TANKS (ONLY NEEDED IF WEIGHED VEHICLE NOT FULLY FUELED)

	LEVEL (see below)	CAPACITY (gal.)	LOCATION FROM REAR AXLE TO CENTER OF TANK (in.)
FRONT OF REAR AXLE			
REAR OF REAR AXLE			

FUEL LEVEL (EMPTY = 0, HALF = 1/2, FULL = 1)

**THIS FORM MUST BE COMPLETED IN ITS ENTIRETY. ANY FORMS CONTAINING INCOMPLETE INFORMATION WILL NOT BE CONSIDERED. PLEASE RETURN VIA FAX (207) 596-2767.**

FISHER ENGINEERING and the vehicle manufacturer may require or recommend optional equipment for snow removal. See the FISHER ENGINEERING *Kit Selection Guide* for additional product information.



Fisher Engineering  
P.O. Box 529  
Rockland, ME 04841

 A SUBSIDIARY OF DOUGLAS DYNAMICS, L.L.C.

Fisher Engineering reserves the right under its product improvement policy to change construction or design details and furnish equipment when so altered without reference to illustrations or specifications used. Fisher Engineering or the vehicle manufacturer may require or recommend optional equipment for snow removal. Do not exceed vehicle ratings with a snowplow. Fisher Engineering offers a limited warranty for all snowplows and accessories. See separately printed page for this important information. The following are registered (®) or unregistered (™) trademarks of Douglas Dynamics, L.L.C.: EZ-V®, FISHER®, Fish-Stik®, Homesteader™, Insta-Act®, Minute Mount® 2, SnoFoil®, XBLADE™, XtremeV™.

Printed in U.S.A.