

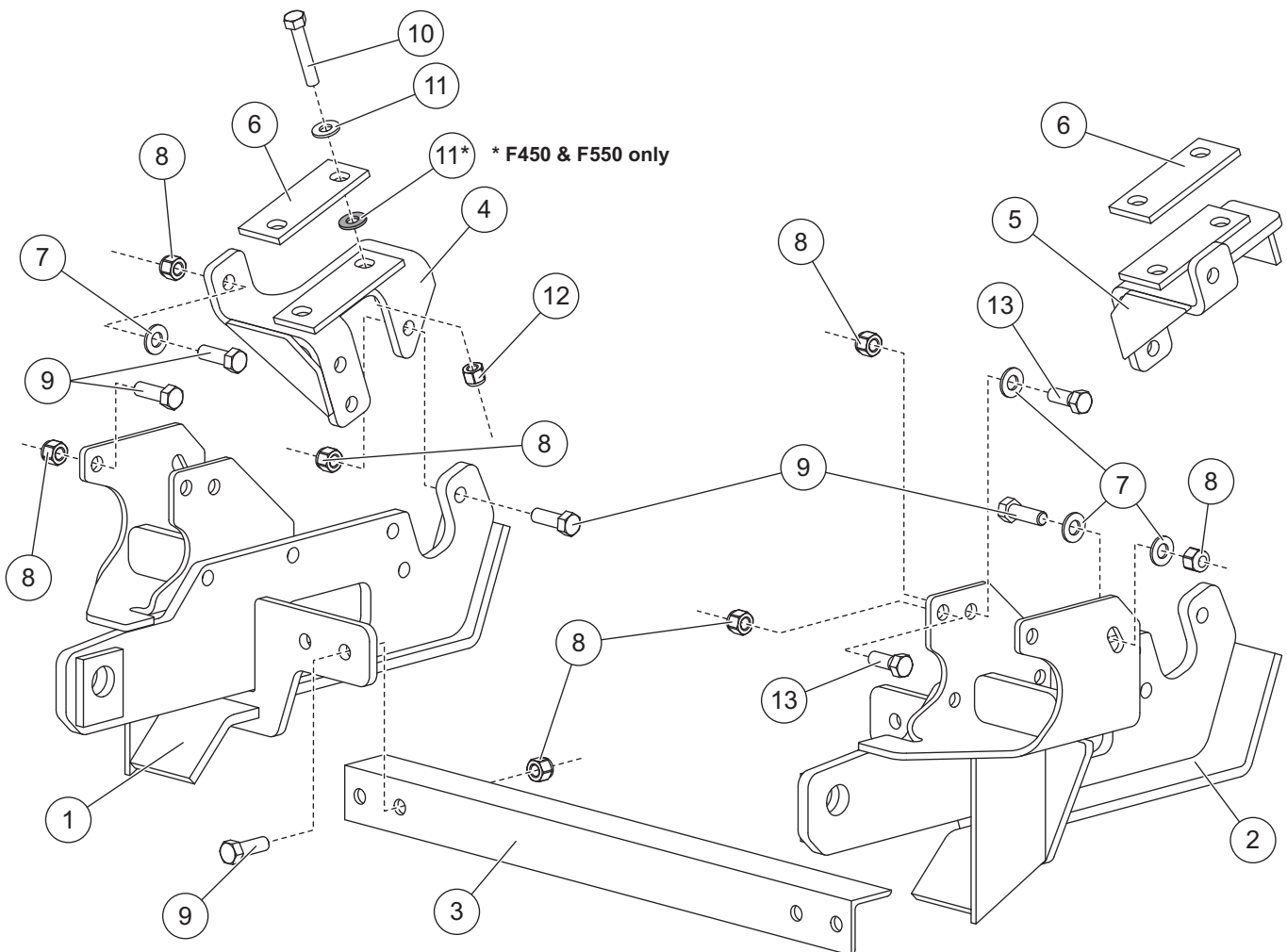


Minute² SYSTEM

MOUNT KIT

Ford Super Duty F-250/350/450/550 2008 - 10

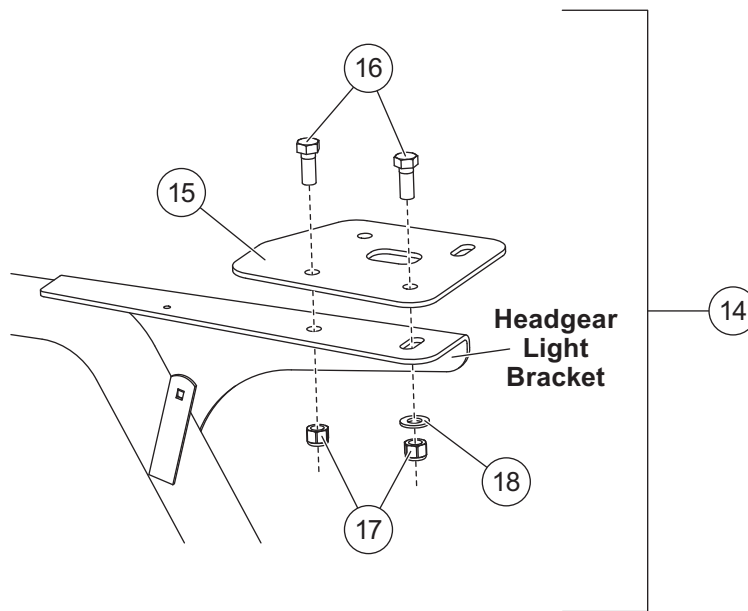
Parts List



7183 Mount Kit							
Item	Part	Qty	Description	Item	Part	Qty	Description
1	29504	1	Pushplate – PS	5	68194	1	Rear Bracket – DS
2	29506	1	Pushplate – DS	6	68206	2	Spacer
3	67696	1	Cross Bar	14	29596	1	Headlamp Extension Bracket Kit
4	68192	1	Rear Bracket – PS	ns	68176	1	Bolt Bag – 7183
68176 Bolt Bag – 7183							
7	90572	11	1/2 Hardened Flat Washer	11*	91104	8	7/16 Hardened Flat Washer
8	91335	20	1/2-13 Hex Locknut GB	12	29599	4	7/16-20 Hex Locknut G8
9	90210	18	1/2-13 x 1-1/2 Hex Cap Screw G5	13	90575	2	1/2-13 x 1-1/4 Hex Cap Screw G5
10	29598	4	7/16-20 x 2-1/2 Hex Cap Screw G8	ns	28445	1	Cable Tie, Extra Heavy Duty
Item 14	29596 Headlamp Extension Bracket Kit						
15	29595	2	Headlamp Extension Bracket	17	91335	4	1/2-13 Hex Locknut GB
16	90575	4	1/2-13 x 1-1/4 Hex Cap Screw G5	18	90572	2	1/2 Hardened Flat Washer
ns = not shown				G = Grade			

* F-250/350 installations require only four washers; F-450/550 installations require eight washers.

Headlamp Extension Bracket Kit



Copyright © 2010 Douglas Dynamics, L.L.C. All rights reserved. This material may not be reproduced or copied, in whole or in part, in any printed, mechanical, electronic, film or other distribution and storage media, without the written consent of Fisher Engineering. Authorization to photocopy items for internal or personal use by Fisher Engineering outlets or snowplow owner is granted.

Fisher Engineering reserves the right under its product improvement policy to change construction or design details and furnish equipment when so altered without reference to illustrations or specifications used. Fisher Engineering or the vehicle manufacturer may require or recommend optional equipment for snow removal. Do not exceed vehicle ratings with a snowplow. Fisher Engineering offers a limited warranty for all snowplows and accessories. See separately printed page for this important information. The following are registered (®) trademarks of Douglas Dynamics, L.L.C.: FISHER®, Minute Mount® 2.

Printed in U.S.A.