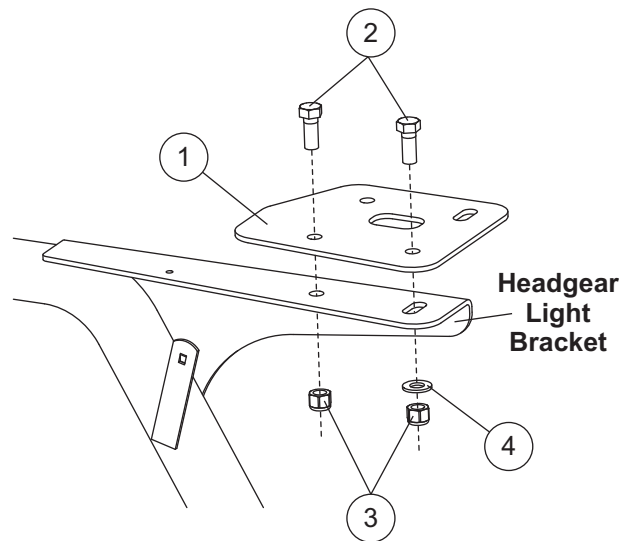




# Headlamp Extension Bracket Kit

## PARTS LIST



29596 Headlamp Extension Bracket Kit							
Item	Part	Qty	Description	Item	Part	Qty	Description
1	2		Headlamp Extension Bracket	3	4		1/2-13 Hex Locknut GB
2	4		1/2-13 x 1-1/4 Hex Cap Screw G5	4	2		1/2 Hardened Flat Washer

G = Grade

### ⚠ CAUTION

Read this document before installing the Headlamp Extension Bracket.

### ⚠ CAUTION

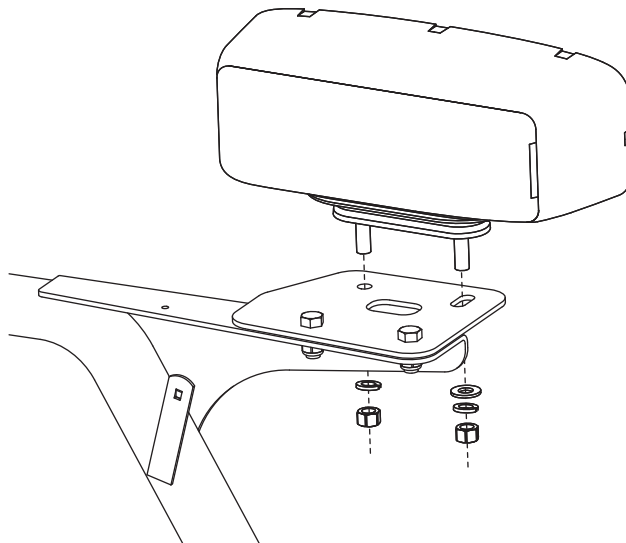
Use standard methods and practices when attaching the snowplow and installing accessories, including proper personal protective safety equipment.

## INSTALLATION INSTRUCTIONS

1. Park the vehicle on a smooth, level, hard surface, such as concrete. Lower the blade to the ground, and turn the control OFF. Turn the vehicle ignition to the "OFF" position and remove the key.

**NOTE: Follow the instructions included with the headgear kit until instructed to install the headlamps. Prior to installing the headlamps, perform the following steps.**

2. Attach the headlamp extension brackets to the headgear light brackets as shown, using the 1/2" cap screws included with this kit.
3. Place one 1/2" washer on the outermost cap screw on each side (slotted hole).
4. Attach a 1/2" locknut to each cap screw, and fully tighten fasteners to 75 ft-lb.
5. Complete headlamp and snowplow installation as instructed in the headgear kit instructions. Fully tighten fasteners to 50 ft-lb.



Copyright © 2012 Douglas Dynamics, L.L.C. All rights reserved. This material may not be reproduced or copied, in whole or in part, in any printed, mechanical, electronic, film or other distribution and storage media, without the written consent of Fisher Engineering. Authorization to photocopy items for internal or personal use by Fisher Engineering outlets or snowplow owner is granted.

Fisher Engineering reserves the right under its product improvement policy to change construction or design details and furnish equipment when so altered without reference to illustrations or specifications used. Fisher Engineering or the vehicle manufacturer may require or recommend optional equipment for snow removal. Do not exceed vehicle ratings with a snowplow. Fisher Engineering offers a limited warranty for all snowplows and accessories. See separately printed page for this important information. The following are registered (®) or unregistered (™) trademarks of Douglas Dynamics, L.L.C.: FISHER®.

Printed in U.S.A.