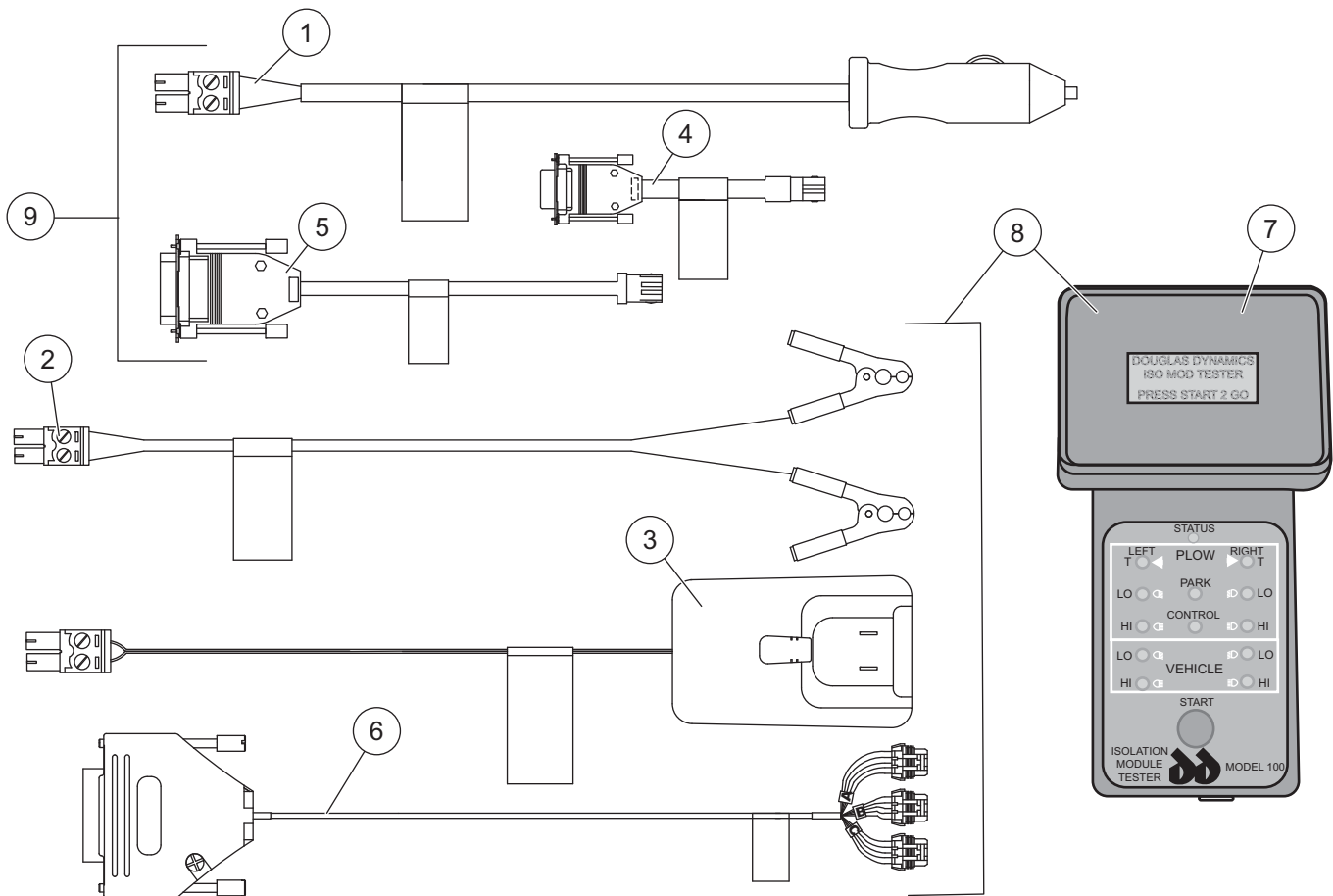


Isolation Module/Control Tester Kit

3-Port Isolation Modules

PARTS LIST



41000-1 Isolation Module/Control Tester Kit							
Item	Part	Qty	Description	Item	Part	Qty	Description
1	30406	1	Power Cord, 12V DC	6	31748	1	Harness, Isolation Module Tester
2	30408	1	Harness, Alligator	7	70625	1	Isolation Module Tester
3	70645	1	Transformer, 12V DC	8	30500	1	Isolation Module Test Kit
4	30410	1	4-Pin Control Test Adapter	9	76490	1	Harness Kit
5	30411	1	6-Pin Control Test Adapter				
Item 8				30500 Isolation Module Test Kit			
2	30408	1	Harness, Alligator	6	31748	1	Harness, Isolation Module Tester
3	70645	1	Transformer, 12V DC	7	70625	1	Isolation Module Tester
Item 9				76490 Harness Kit			
1	30406	1	Power Cord, 12V DC	5	30411	1	6-Pin Control Test Adapter
4	30410	1	4-Pin Control Test Adapter				

Copyright © 2021 Douglas Dynamics, LLC. All rights reserved. This material may not be reproduced or copied, in whole or in part, in any printed, mechanical, electronic, film, or other distribution and storage media, without the written consent of the company. Authorization to photocopy items for internal or personal use by the company's outlets or snowplow owner is granted.

The company reserves the right under its product improvement policy to change construction or design details and furnish equipment when so altered without reference to illustrations or specifications used. This equipment manufacturer or the vehicle manufacturer may require or recommend optional equipment for snow removal. Do not exceed vehicle ratings with a snowplow. The company offers a limited warranty for all snowplows and accessories. See separately printed page for this important information.

Printed in U.S.A.
