



**Fisher Engineering**

50 Gordon Drive, Rockland, Maine 04841-2139 • www.fisherplows.com

**87525, 87625**

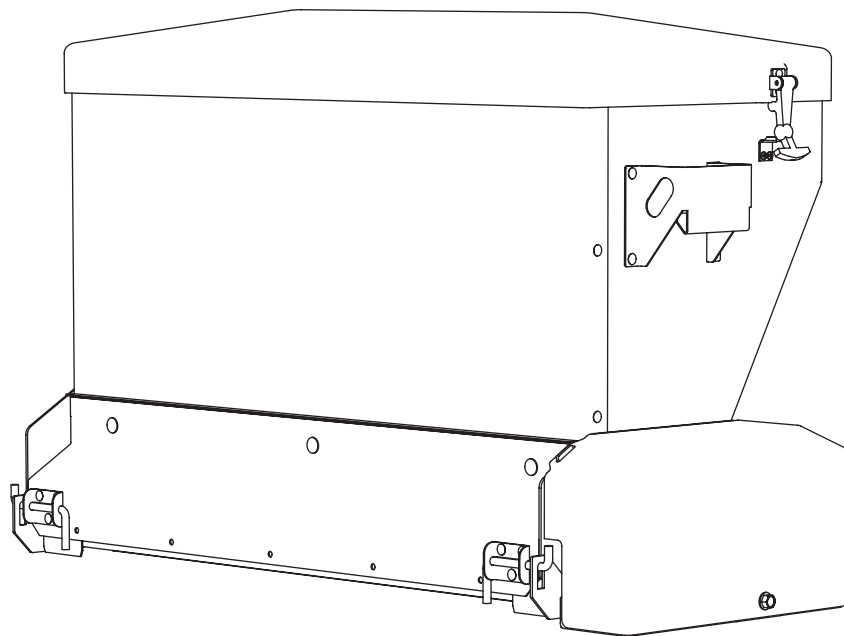
March 15, 2022  
Lit. No. 30570, Rev. 03

# Hopper and Drive Components

## TRAILCOMMANDER™ 250 & TRAILCOMMANDER™ 600 Drop Spreaders

### 2.5 ft<sup>3</sup> & 6.0 ft<sup>3</sup>

### Parts List

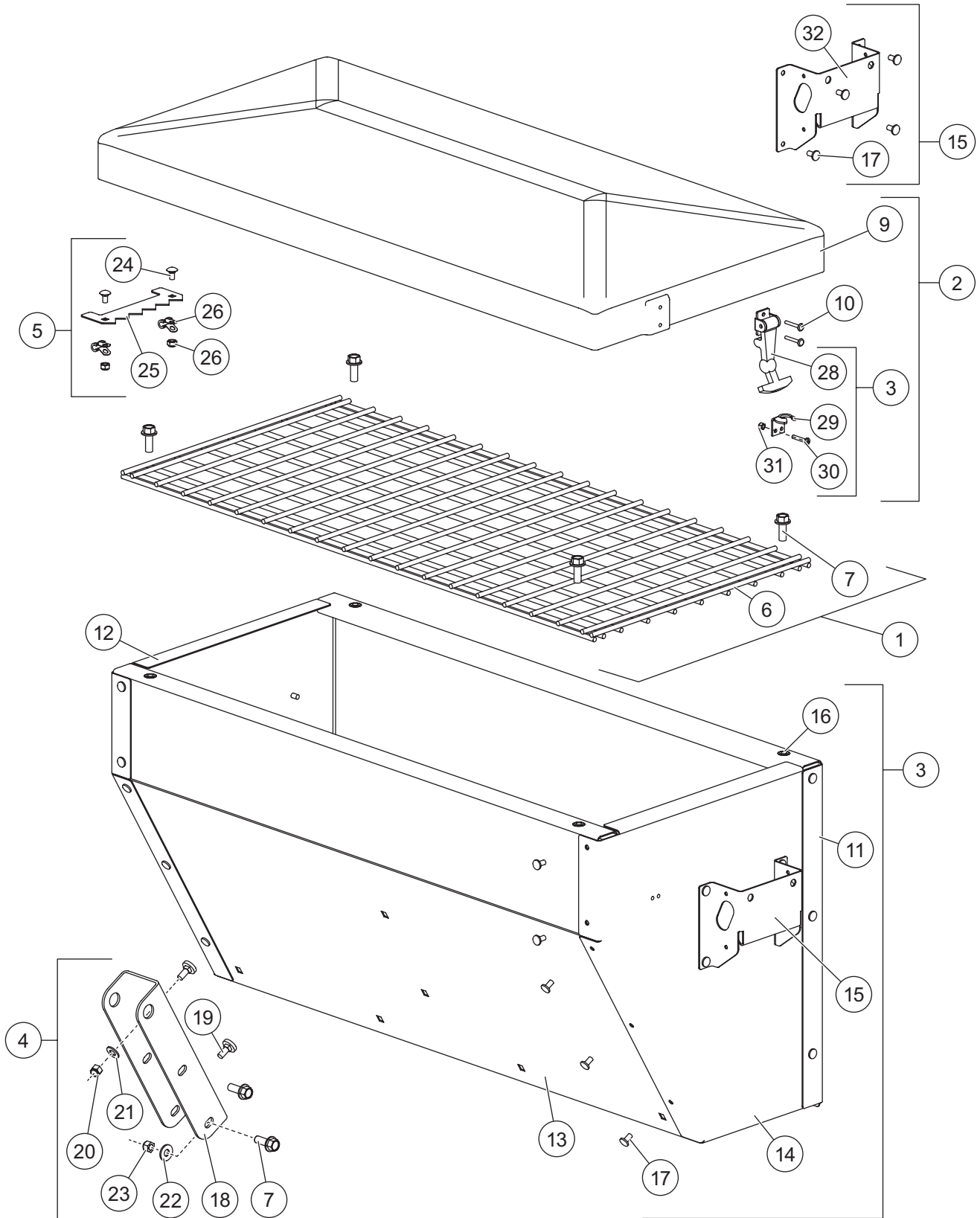


This Parts List is for FISHER® TRAILCOMMANDER 250 & 600 drop spreaders  
with serial numbers beginning with 210101 and higher.

A DIVISION OF FISHER, LLC

# TRAILCOMMANDER™ 250 & 600 DROP SPREADERS

## HOPPER ASSEMBLY

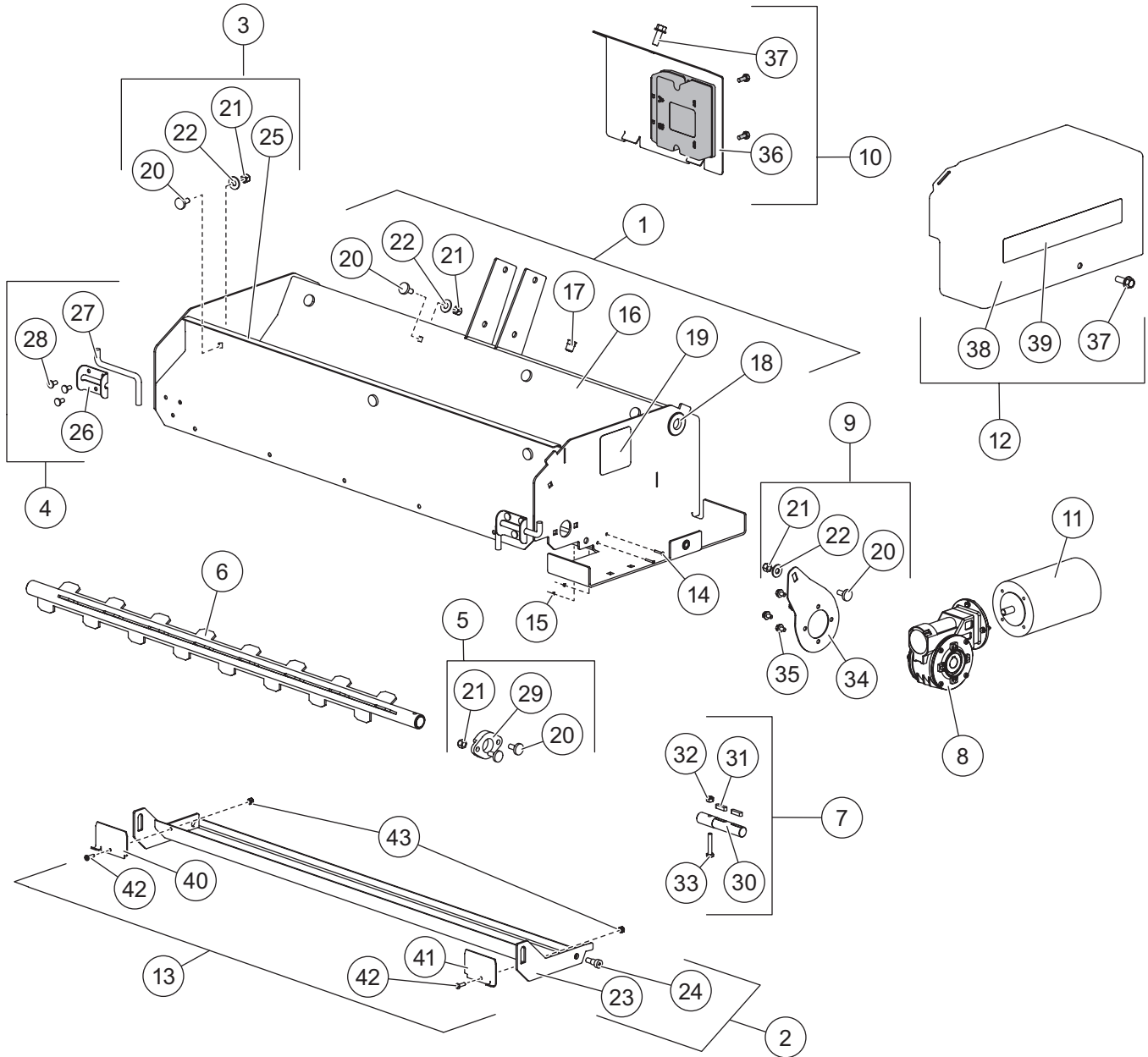


# TRAILCOMMANDER™ 250 & 600 DROP SPREADERS

Hopper & Frame Assembly							
Item	Part	Qty	Description	Item	Part	Qty	Description
1	91840	1	Top Screen Kit, 250	3	91990	1	Hopper Kit, 250
	91970	1	Top Screen Kit, 600		91995	1	Hopper Kit, 600
2	91845	1	Lid Kit, 250	4	91875	1	Upper Hitch Kit
	91855	1	Lid Kit, 600	5	91880	1	Bag Splitter Kit
<b>Item 1</b>				<b>91840 Top Screen Kit, 250</b>			
6	91688	1	Top Screen	7		4	3/8-16 x 1 Hex Cap Screw SS
<b>Item 1</b>				<b>91970 Top Screen Kit, 600</b>			
6	91871	1	Top Screen	7		4	3/8-16 x 1 Hex Cap Screw SS
<b>Item 2</b>				<b>91845 Lid Kit, 250</b>			
8	P3045	1	Latch Kit	10		4	3/16 Pop Rivet
9		1	Lid				
<b>Item 2</b>				<b>91855 Lid Kit, 600</b>			
8	P3045	1	Latch Kit	10		4	3/16 Pop Rivet
9		1	Lid				
<b>Item 3</b>				<b>91990 Hopper Kit, 250</b>			
11		1	Rear Side, 2.5 ft <sup>3</sup>	15		2	Handle Kit
12		1	End Cap, 2.5 ft <sup>3</sup> – PS	16		4	3/8-16 Hex Rivnut
13		1	Front Side, 2.5 ft <sup>3</sup>	17		16	1/4 Rivet SS
14		1	End Cap, 2.5 ft <sup>3</sup> – DS	ns		1	Label – Logo, FISHER® SS
<b>Item 3</b>				<b>91995 Hopper Kit, 600</b>			
11		1	Rear Side, 6 ft <sup>3</sup>	15		2	Handle Kit
12		1	End Cap, 6 ft <sup>3</sup> – PS	16		4	3/8-16 Hex Rivnut
13		1	Front Side, 6 ft <sup>3</sup>	17		22	1/4 Rivet SS
14		1	End Cap, 6 ft <sup>3</sup> – DS	ns		1	Label – Logo, FISHER SS
<b>Item 4</b>				<b>91875 Upper Hitch Kit</b>			
7		4	3/8-16 x 1 Hex Cap Screw SS	21		2	5/16 Flat Washer Type A Narrow
18		1	3-Point Hitchpoint	22		4	3/8 Flat Washer Type A Wide SS
19		2	5/16-18 x 3/4 Carriage Bolt SS	23		4	3/8-16 Hex Locknut GB
20		2	5/16-18 Hex Locknut GB				
<b>Item 5</b>				<b>91880 Bag Splitter Kit</b>			
24		2	1/4-20 x 1/2 Carriage Bolt SS	26		2	Clamp, 5/16 Rubber Coated
25		1	Bag Splitter	27		2	1/4-20 Hex Locknut GB
<b>Item 8</b>				<b>P3045 Latch Kit</b>			
28	95591	2	Latch	30		8	#10-32 x 5/8 Machine Screw SS
29	95590	2	Keeper	31		8	#10-32 Hex Locknut SS
<b>Item 15</b>				<b>91870 Handle Kit</b>			
17		4	1/4 Rivet SS	32		1	Handle
		ns = not shown				G = Grade	
						SS = Stainless Steel	

# TRAILCOMMANDER™ 250 & 600 DROP SPREADERS

## FRAME & DRIVE ASSEMBLY

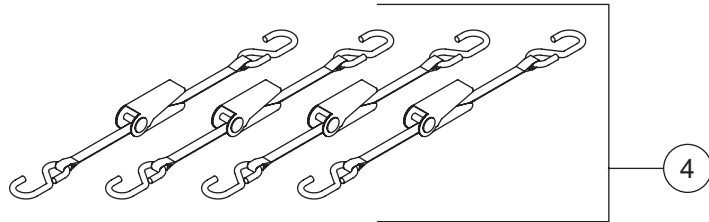
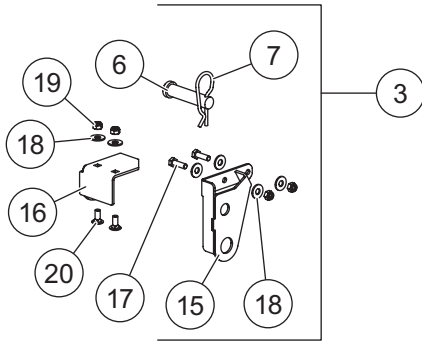
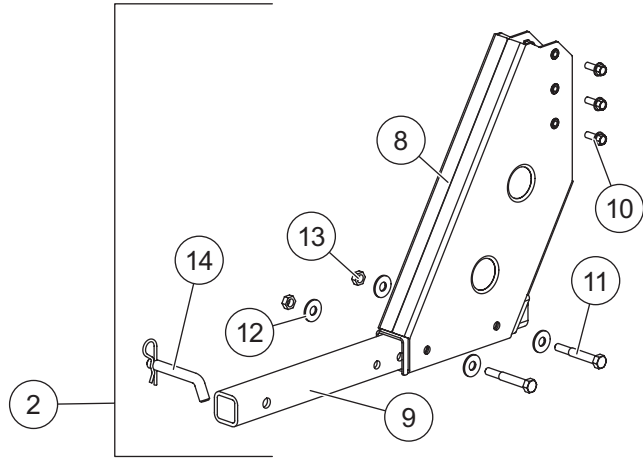
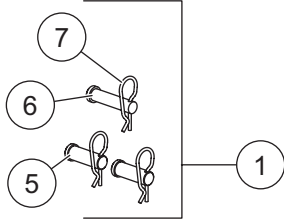


# TRAILCOMMANDER™ 250 & 600 DROP SPREADERS

Frame and Drive Assembly							
Item	Part	Qty	Description	Item	Part	Qty	Description
1	91885	1	Frame Kit	10	91925	1	Electrical Cover Kit
2	91890	1	Drop Trough Kit	11	79950	1	Motor Kit
3	91895	1	Flap Agitator Kit	12	91930	1	Motor Cover Kit
4	91905	2	Locking Pin Kit	13	91935	1	Spread Width Baffle Kit
5	91910	2	Poly Bearing Kit	ns	78980	1	Switch Assembly w/Connector
6	91940	1	Paddle Auger Frame	14	68858	2	#4-40 x 3/4 Hex Socket Button-Head Cap Screw
7	91915	1	Drive Shaft Kit	15	68859	2	#4-40 Hex Locknut GB SS
8	F50582	1	Gear Box				
9	91920	1	Torque Arm Kit				
<b>Item 1</b>				<b>91885 Frame Kit</b>			
16		1	Frame	22		4	5/16 Flat Washer Type A Narrow
17		2	3/8-16 Hex Rivnut	ns	29593	1	Label – Warning, Multiple Pinch Points
18	91945	1	Grommet Kit	ns	68584	1	Label – Warning/Caution, Spreaders
19	75126	1	Label – Warning, Rotating Parts	ns	11100	1	Label – Warning, Rear Camera
20		4	5/16-18 x 3/4 Carriage Bolt SS				
21		4	5/16-18 Hex Locknut GB				
<b>Item 2</b>				<b>91890 Drop Trough Kit</b>			
23		1	Trough	24		2	Shoulder Bolt
<b>Item 3</b>				<b>91895 Flap Agitator Kit</b>			
20		3	5/16-18 x 3/4 Carriage Bolt SS	22		3	5/16 Flat Washer Type A Narrow
21		3	5/16-18 Hex Locknut GB	25		1	Flap Agitator
<b>Item 4</b>				<b>91905 Locking Pin Kit</b>			
26		1	Locking Pin	28		3	1/4 Rivet
27		1	Pin Keeper				
<b>Item 5</b>				<b>91910 Poly Bearing Kit</b>			
20		2	5/16-18 x 3/4 Carriage Bolt SS	29		1	Paddle Bearing
21		2	5/16-18 Hex Locknut GB				
<b>Item 7</b>				<b>91915 Drive Shaft Kit</b>			
30		1	Auger Drive Shaft	32		1	1/4-20 Hex Locknut GB
31		2	Key	33		1	1/4-20 x 1-1/2 Hex Cap Screw SS
<b>Item 9</b>				<b>91920 Torque Arm Kit</b>			
20		1	5/16-18 x 3/4 Carriage Bolt SS	34		1	Motor Plate
21		1	5/16-18 Hex Locknut GB	35		4	M6 x 1.00 10 mm Flanged Hex Cap Screw G10.9
22		1	5/16 Flat Washer Type A Narrow				
<b>Item 10</b>				<b>91925 Electrical Cover Kit</b>			
36		1	Electrical Cover	37		1	3/8-16 x 1 Hex Cap Screw SS
<b>Item 12</b>				<b>91930 Motor Cover Kit</b>			
37		1	3/8-16 x 1 Hex Cap Screw SS	39	68584	1	Label – Warning/Caution, Spreaders
38		1	Motor Cover				
<b>Item 13</b>				<b>91935 Spread Width Baffle Kit</b>			
40		1	Shutter Plate, DS	42		2	#10-32 x 5/8 Machine Screw SS
41		1	Shutter Plate, PS	43		2	#10-32 Hex Locknut SS
ns = not shown				G = Grade		SS = Stainless Steel	
				M = Metric			

# TRAILCOMMANDER™ 250 & 600 DROP SPREADERS

## MOUNT ASSEMBLIES

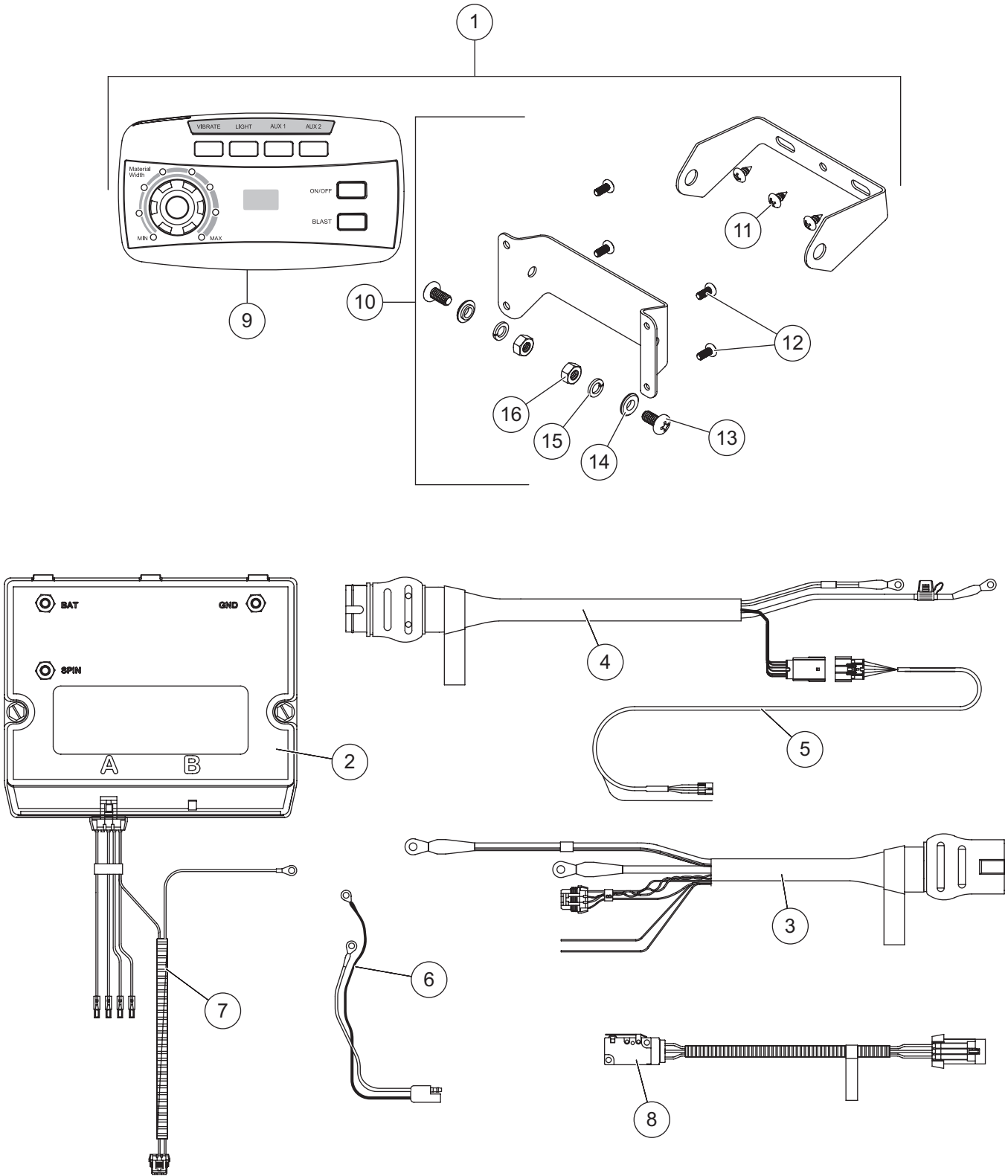


# TRAILCOMMANDER™ 250 & 600 DROP SPREADERS

Mount Assemblies							
Item	Part	Qty	Description	Item	Part	Qty	Description
1	91960	1	Tractor Mount Pins	3	91950	1	Bed Mount Kit
2	91955	1	Receiver Mount Kit	4	D6503	1	Ratchet Strap, 1" x 12' (pkg of 4)
<b>Item 1</b>				<b>91960 Tractor Mount Pins</b>			
5	91876	2	7/8 x 2-1/2 Clevis Pin	7		3	5/32 Hairpin Cotter
6	93063	1	3/4 x 3-1/4 Clevis Pin				
<b>Item 2</b>				<b>91955 Receiver Mount Kit</b>			
8		1	Riser	12		4	1/2 Plain Washer Type A
9		1	Receiver Tube	13		2	1/2-13 Stover Nut GC
10		6	3/8-16 x 1 Serrated Flange Hex Cap Screw SS	14	T15043	1	Hitch Pin
11		2	1/2-13 x 3-1/2 Hex Cap Screw G5	ns	30687	1	Threadlocker, Medium Strength
<b>Item 3</b>				<b>91950 Bed Mount Kit</b>			
6	93063	1	3/4 x 3-1/4 Clevis Pin	17		2	5/16-18 x 1 Hex Cap Screw SS
7		1	5/32 Hairpin Cotter	18		6	5/16 Flat Washer Type A Narrow
15		1	Bed Stop Bracket, DS	19		4	5/16-18 Hex Locknut GB
16		1	Bed Stop Bracket, PS	20		2	5/16-18 x 3/4 Carriage Bolt SS
		G = Grade				SS = Stainless Steel	
						ns = not shown	

# TRAILCOMMANDER™ 250 & 600 DROP SPREADERS

## ELECTRICAL COMPONENTS





# TRAILCOMMANDER™ 250 & 600 DROP SPREADERS

Electrical Components							
Item	Part	Qty	Description	Item	Part	Qty	Description
1	52456	1	Spreader Control Kit	6	78399	1	Spinner Motor Harness Rev Pin-Out
2	52355	1	Spreader Module, 3-Post				
3	72092	1	Spreader Harness, 7-Pin	7	78978	1	Connector w/5 Wires, 10-Pin
4	74978	1	Vehicle Harness, 7-Pin	8	78980	1	Switch Assembly
5	69902	1	Vehicle Control Harness				
<b>Item 1</b>				<b>52456 Spreader Control Kit</b>			
9	52467	1	Spreader Control	10	52345	1	Control Bracket Kit
<b>Item 10</b>				<b>52345 Control Bracket Kit</b>			
11		3	#10 x 3/8 Pan Head Tapping Screw SS	14		2	1/4 Shoulder Washer SS – Black
12		4	#8 x 3/8 Pan Head Machine Screw	15		2	1/4 Lock Washer SS
13		2	1/4-20 x 1/2 Pan Head Machine Screw SS – Black	16		2	1/4-20 Hex Nut G5 – Black
SS = Stainless Steel				G = Grade			

# TRAILCOMMANDER™ 250 & 600 DROP SPREADERS

---



Fisher Engineering  
50 Gordon Drive  
Rockland, ME 04841-2139  
[www.fisherplows.com](http://www.fisherplows.com)

**A DIVISION OF FISHER, LLC**

Copyright © 2022 Douglas Dynamics, LLC. All rights reserved. This material may not be reproduced or copied, in whole or in part, in any printed, mechanical, electronic, film, or other distribution and storage media, without the written consent of Fisher Engineering. Authorization to photocopy items for internal or personal use by Fisher Engineering outlets or spreader owner is granted.

Fisher Engineering reserves the right under its product improvement policy to change construction or design details and furnish equipment when so altered without reference to illustrations or specifications used. Fisher Engineering or the vehicle manufacturer may require or recommend optional equipment for spreaders. Do not exceed vehicle ratings with a spreader. Fisher Engineering offers a limited warranty for all spreaders and accessories. See separately printed page for this important information. The following are registered (®) or unregistered (™) trademarks of Douglas Dynamics, LLC: FISHER®, TRAILCOMMANDER™.

**Printed in U.S.A.**