



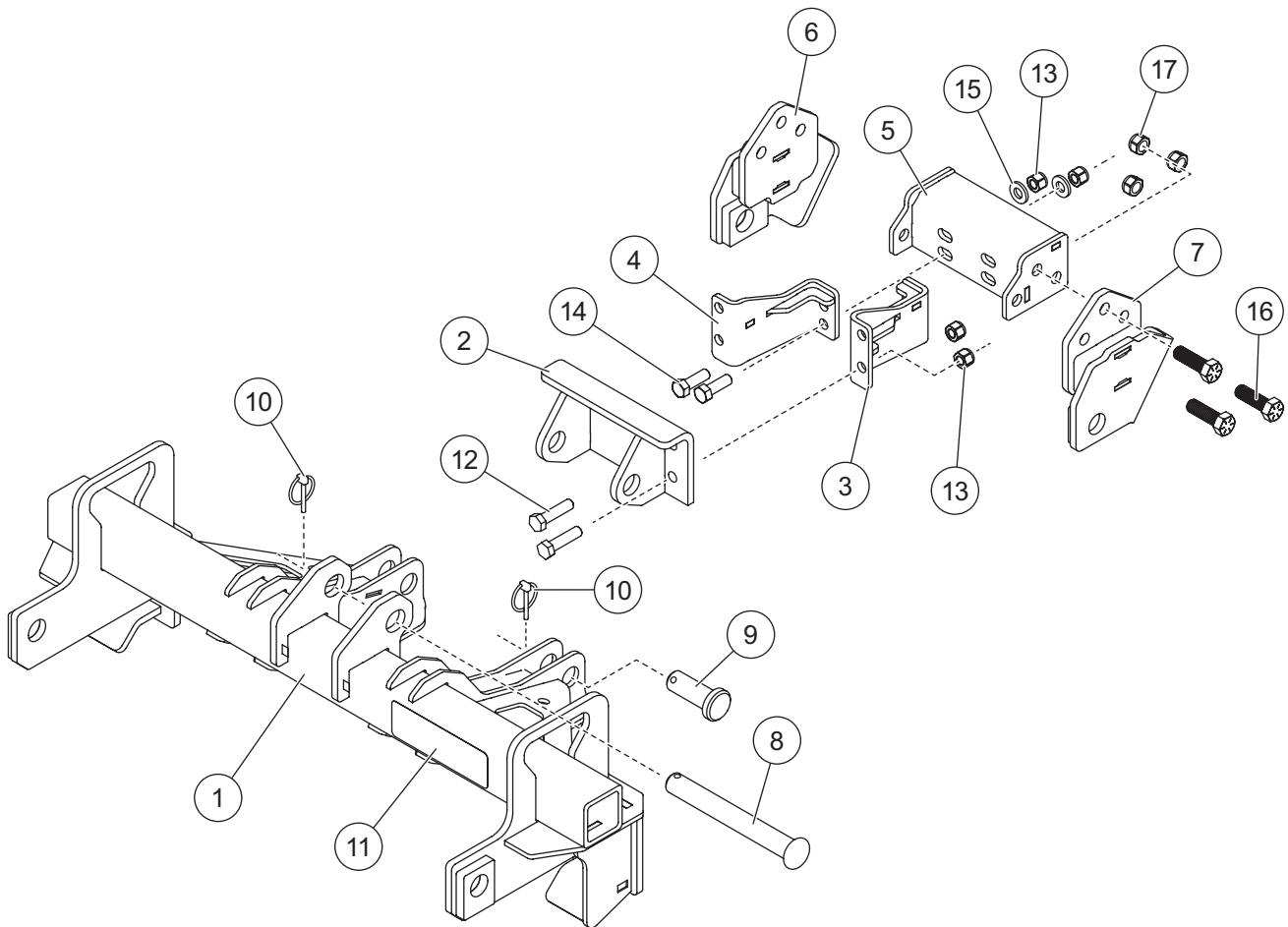
Minute² SYSTEM

MOUNT KIT

Kubota LX Series Tractor

2020-__

Parts List



77115 Mount Kit							
Item	Part	Qty	Description	Item	Part	Qty	Description
1	72865	1	Pushbeam	11	77506	1	Label – Caution, Tractor Remove Loader
2	30942	1	Front Bracket	ns	72168	1	Vehicle Cable Assembly
3	30943	1	Internal Frame Bracket, Left	ns	74077	1	Jumper Connector, 4-Position
4	30944	1	Internal Frame Bracket, Right	ns	28587	1	Vehicle Control Harness
5	30945	1	Internal Frame Stiffener	ns	90730	1	Fuse Kit, 200A
6	30941	1	Side Bracket, Right	ns	61548K	1	Plug Cover Kit
7	30940	1	Side Bracket, Left	ns		12	Cable Tie
8	27979	1	1 x 8 Clevis Pin	ns		1	Heat Shrink Tubing
9	27227	2	1 x 2-3/4 Clevis Pin	ns		1	Splice Package
10	93042	3	3/16 Linchpin	ns			
ns	30952	1	Bolt Bag				
30952 Bolt Bag							
		4	1/2-13 x 1-1/2 Hex Cap Screw G5	15		4	1/2 Hardened Flat Washer Type 1
		8	1/2-13 Hex Locknut GB	16		6	M14 x 2.0 x 45 Hex Cap Screw G8.8
		4	1/2-13 x 2 Hex Cap Screw G5	17		6	M14 x 2.0 Hex Locknut G8.8
			ns = not shown			M = Metric	G = Grade

Copyright © 2022 Douglas Dynamics, LLC. All rights reserved. This material may not be reproduced or copied, in whole or in part, in any printed, mechanical, electronic, film, or other distribution and storage media, without the written consent of Fisher Engineering. Authorization to photocopy items for internal or personal use by Fisher Engineering outlets or snowplow owner is granted.

Fisher Engineering reserves the right under its product improvement policy to change construction or design details and furnish equipment when so altered without reference to illustrations or specifications used. Fisher Engineering or the vehicle manufacturer may require or recommend optional equipment for snow removal. Do not exceed vehicle ratings with a snowplow. Fisher Engineering offers a limited warranty for all snowplows and accessories. See separately printed page for this important information. The following are registered (®) trademarks of Douglas Dynamics, LLC: FISHER®, Minute Mount® 2.

Printed in U.S.A.