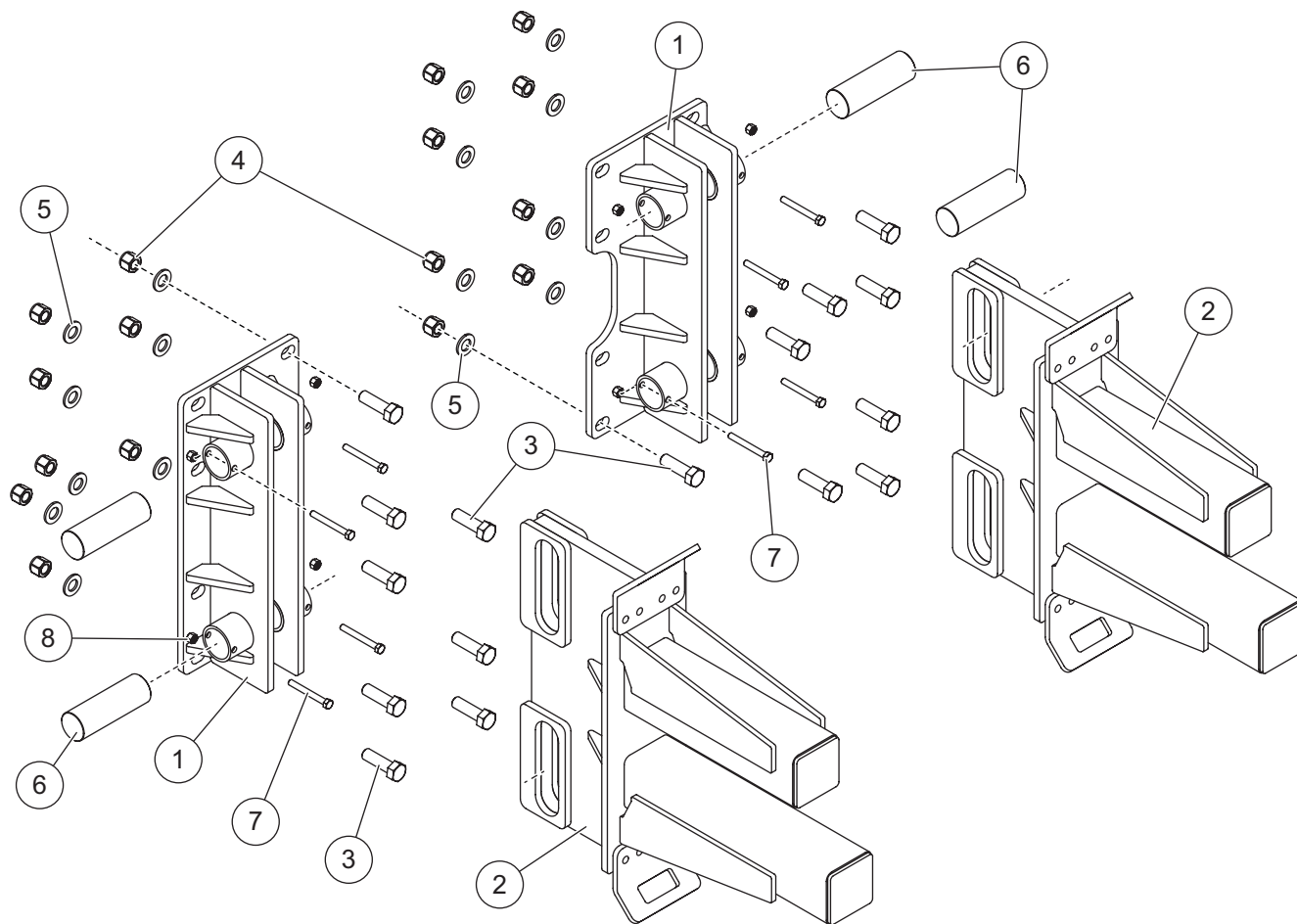


# Universal Bucket Mount

## TRACE™ Trip Edge Pusher Plows

**PARTS LIST**



79649 Universal Bucket Mount Kit						
Item	Part	Qty	Description	Item	Part	Qty Description
1	79782	2	Coupler Float Attachment Plate	ns	79637	1 Bolt Bag
2	79784	2	Bucket Mount			
79637 Bolt Bag						
3		16	3/4-10 x 3 Hex Cap Screw G5	6	83260	4 Coupler Pin 2 OD x 6
4		16	3/4-10 Hex Locknut GB	7		8 3/8-16 x 3 Hex Cap Screw G5
5		16	3/4 Flat Washer Type A Narrow	8		8 3/8-16 Hex Locknut GB
			ns = not shown	G = Grade		

**⚠ WARNING**

Do not exceed vehicle weight rating, including pusher plow.

**⚠ CAUTION**

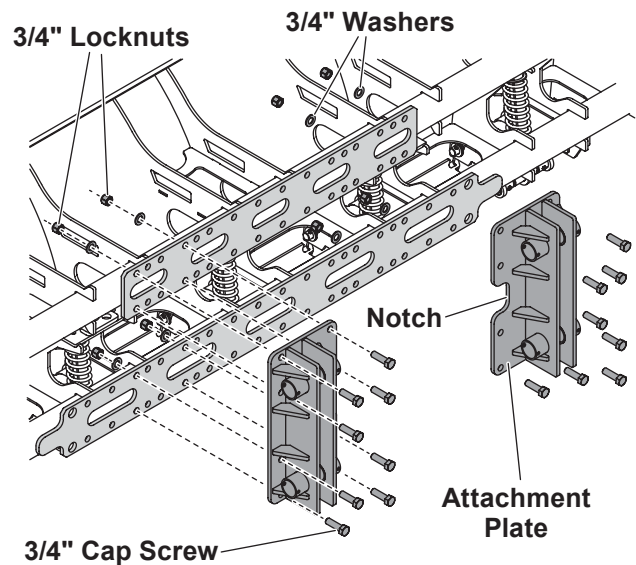
Read this document before installing the universal bucket mount.

**⚠ CAUTION**

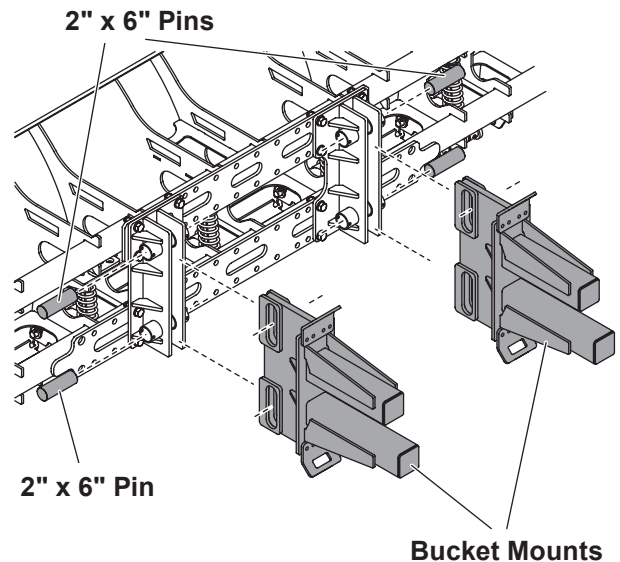
Use standard methods and practices when attaching snowplow and installing accessories, including proper personal protective safety equipment.

**INSTALLATION INSTRUCTIONS**

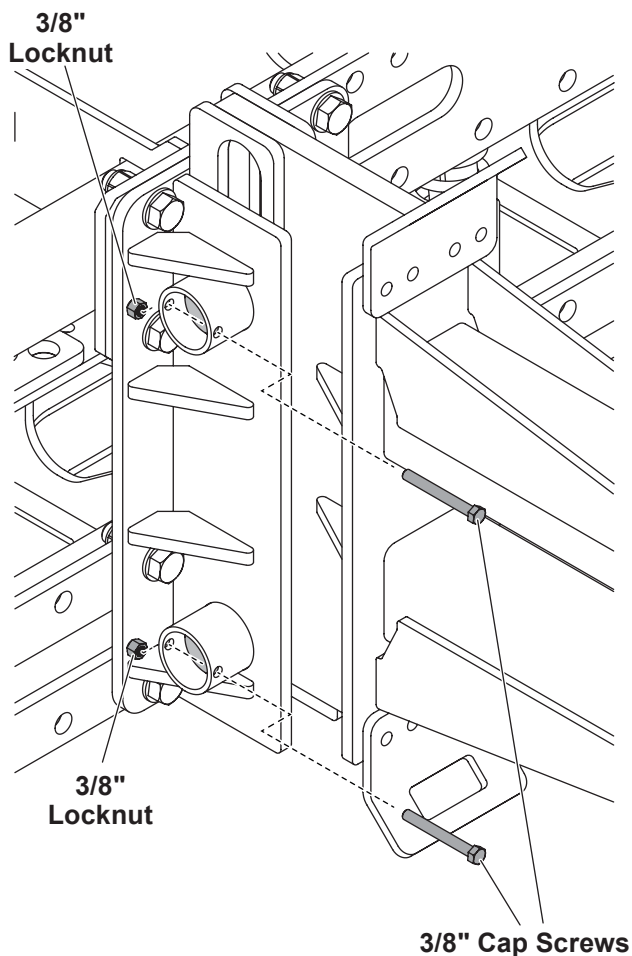
1. Install each attachment plate to the outermost holes on the back of the blade with eight 3/4" x 3" cap screws, eight 3/4" washers, and eight 3/4" locknuts as shown. The notches in the attachment plates must face the center of the snowplow. Tighten to 269 ft-lb (365 N·m).



2. Install the bucket mounts to the attachment plates with four 2" x 6" pins.



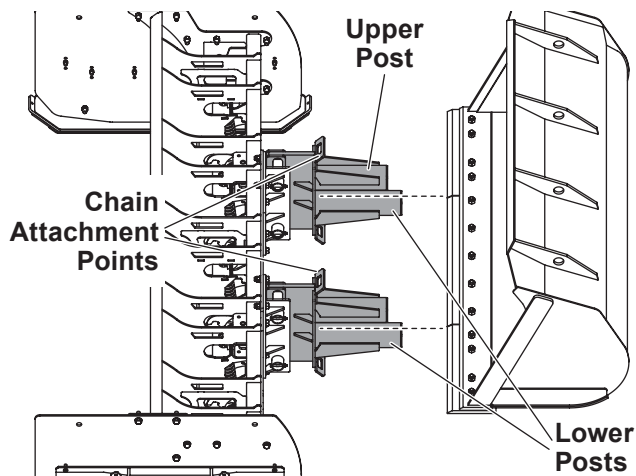
- Secure each end of each pin with the eight provided 3/8" x 3" cap screws and 3/8" locknuts as shown. Tighten to 30.8 ft-lb (41.8 N·m).



## ATTACHING SNOWPLOW TO LOADER

The Binder Kit (PN 72042, sold separately) must be used for bucket loader installations.

- Center the loader bucket and guide the leading edge between the bucket mount posts.



- Secure the plow to the bucket with the chains and ratchet binder, as described in the next section.

### Install Chains and Ratchet Binder

#### ⚠ CAUTION

DO NOT attempt to curl your coupler to lock in the connection to the pusher plow in lieu of using the binder chains.

- Connect one chain from the binder kit to one chain attachment point using the supplied clevis. Connect the opposite end of the chain to an attachment point on the bucket. Buckets will vary by manufacturer. If necessary, the binder kit has grab hooks that can be welded to the bucket. Leave enough slack to center the pusher plow on the loader bucket.

Repeat on the opposite side using the second chain.

- Raise the bucket to lift the snowplow off the ground. Add or remove slack in the chains as necessary to center the plow on the bucket, making sure one of the chains is pulled taut.
- Take up the remaining slack in the second chain with the supplied ratchet binder.

Copyright © 2022 Douglas Dynamics, LLC. All rights reserved. This material may not be reproduced or copied, in whole or in part, in any printed, mechanical, electronic, film, or other distribution and storage media, without the written consent of the company. Authorization to photocopy items for internal or personal use by the company's outlets or snowplow owner is granted.

The company reserves the right under its product improvement policy to change construction or design details and furnish equipment when so altered without reference to illustrations or specifications used. This equipment manufacturer or the vehicle manufacturer may require or recommend optional equipment for snow removal. Do not exceed vehicle ratings with a snowplow. The company offers a limited warranty for all snowplows and accessories. See separately printed page for this important information. The following is an unregistered (™) trademark of Douglas Dynamics, LLC: TRACE™.

**Printed in U.S.A.**

---