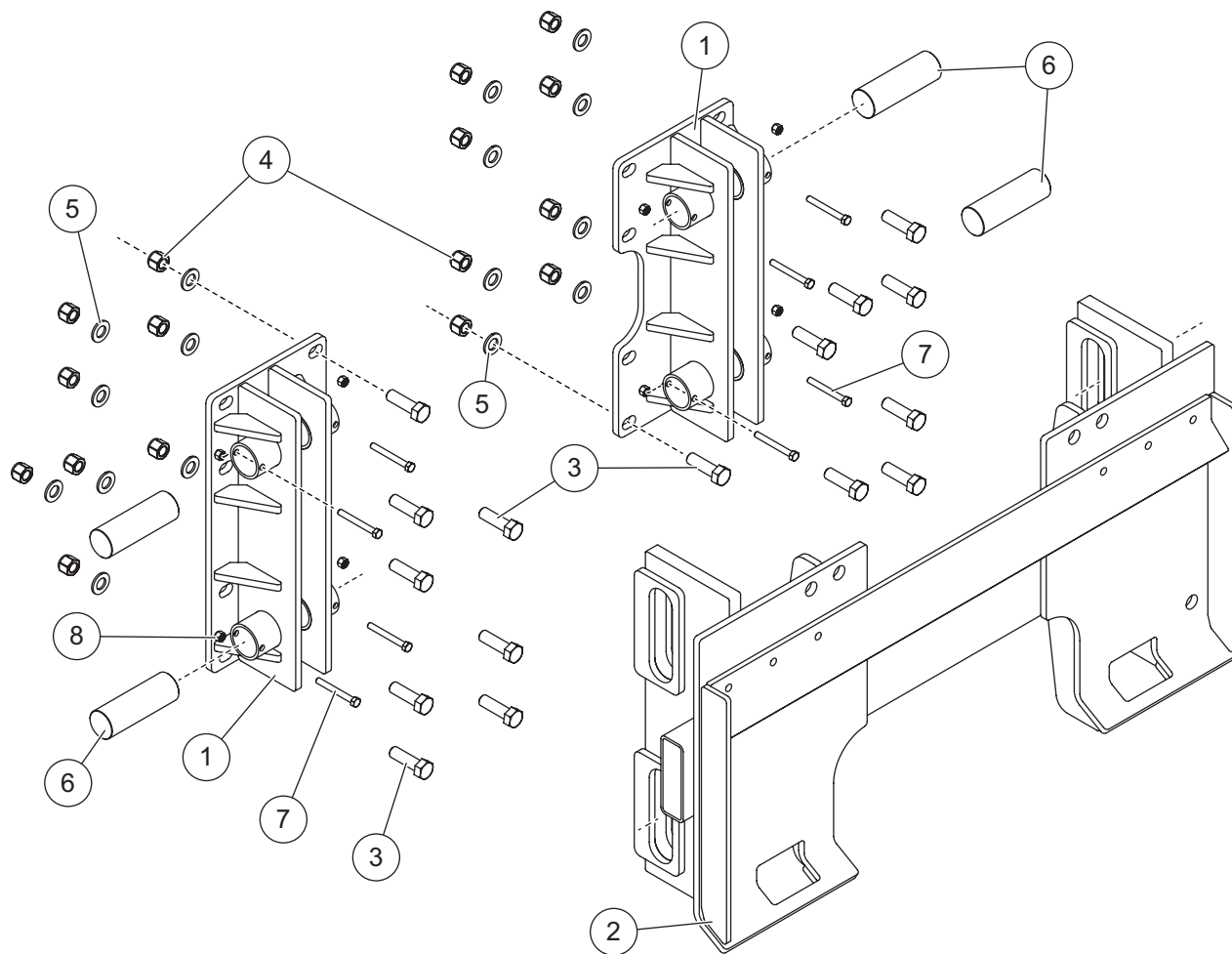


Skid Steer Mount

TRACE™ Trip Edge Pusher Plows

PARTS LIST



79646 Skid Steer Mount						
Item	Part	Qty	Description	Item	Part	Qty Description
1	79782	2	Coupler Float Attachment Plate	ns	79637	1 Bolt Bag
2	79783	1	Skid Steer Mounting Plate			
79637 Bolt Bag						
3		16	3/4-10 x 3 Hex Cap Screw G5	6	83260	4 Coupler Pin 2 OD x 6
4		16	3/4-10 Hex Locknut GB	7		8 3/8-16 x 3 Hex Cap Screw G5
5		16	3/4 Flat Washer Type A Narrow	8		8 3/8-16 Hex Locknut GB
			ns = not shown			
				G = Grade		

⚠ WARNING

Do not exceed vehicle weight rating, including pusher plow.

⚠ CAUTION

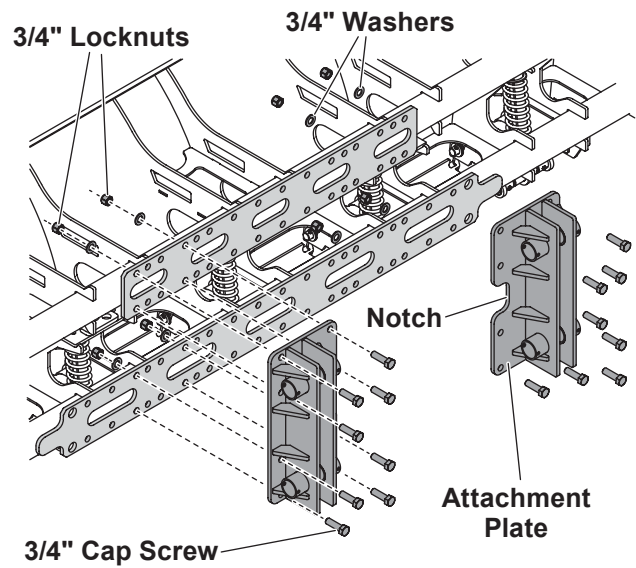
Read this document before installing the Skid Steer Mount.

⚠ CAUTION

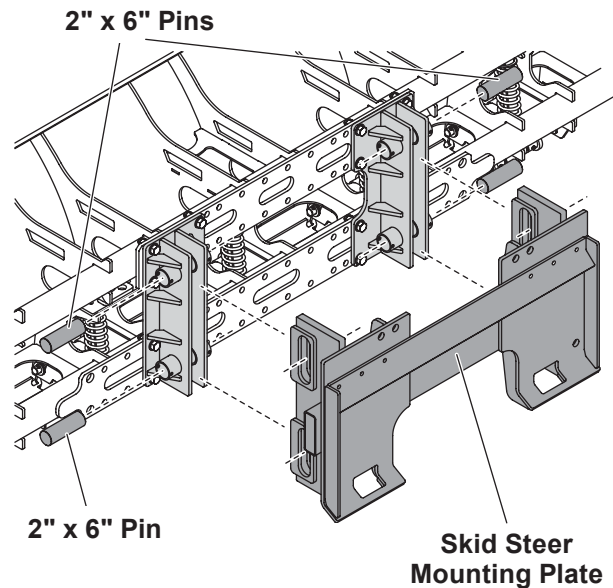
Use standard methods and practices when attaching snowplow and installing accessories, including proper personal protective safety equipment.

INSTALLATION INSTRUCTIONS

1. Install each attachment plate to the outermost holes on the back of the blade with eight 3/4" x 3" cap screws, eight 3/4" washers, and eight 3/4" locknuts as shown. The notches in the attachment plates must face the center of the snowplow. Tighten to 269 ft-lb (365 N·m).

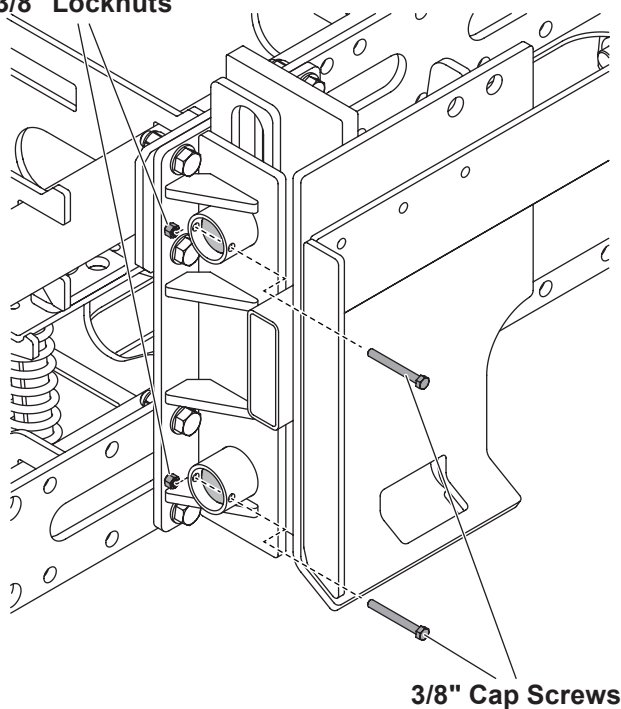


2. Install the skid steer mounting plate to the attachment plates with four 2" x 6" pins.



- Secure each end of each pin with the eight provided 3/8" x 3" cap screws and 3/8" locknuts as shown. Tighten to 30.8 ft-lb (41.8 N·m)

3/8" Locknuts

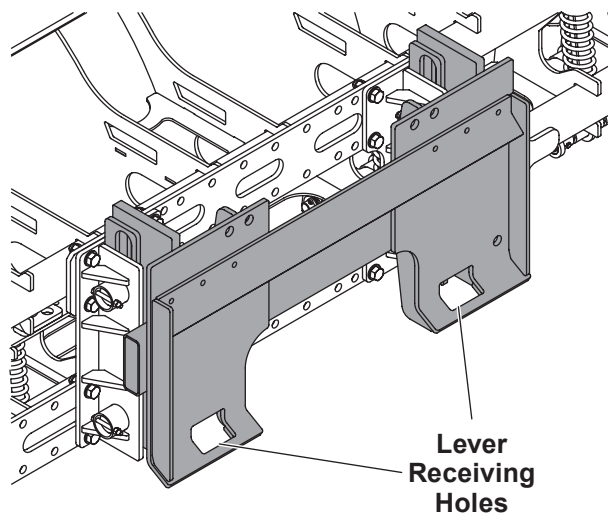


3/8" Cap Screws

ATTACHING SNOWPLOW TO SKID STEER

The pusher plow skid steer mounting plate is designed to work with the vehicle's OEM attachment bracket.

- Remove the bucket from the skid steer.
- Position the skid steer close to the snowplow with the mount points on the skid steer attachment bracket aligned with the mounting plate.



Lever Receiving Holes

- Tilt the skid steer bracket forward and position the top edge of the bracket under the upper receiving bracket on the mounting plate.
- Slowly raise the arms on the skid steer and tilt the skid steer bracket toward the cab until the mounting plate is flush with the skid steer bracket. Turn the skid steer engine OFF.
- Engage the locking levers by rotating both handles 90° to a horizontal position. The skid steer locking levers engage with the mounting plate lever receiving holes.

Copyright © 2022 Douglas Dynamics, LLC. All rights reserved. This material may not be reproduced or copied, in whole or in part, in any printed, mechanical, electronic, film, or other distribution and storage media, without the written consent of the company. Authorization to photocopy items for internal or personal use by the company's outlets or snowplow owner is granted.

The company reserves the right under its product improvement policy to change construction or design details and furnish equipment when so altered without reference to illustrations or specifications used. This equipment manufacturer or the vehicle manufacturer may require or recommend optional equipment for snow removal. Do not exceed vehicle ratings with a snowplow. The company offers a limited warranty for all snowplows and accessories. See separately printed page for this important information. The following is an unregistered (™) trademark of Douglas Dynamics, LLC: TRACE™.

Printed in U.S.A.
