



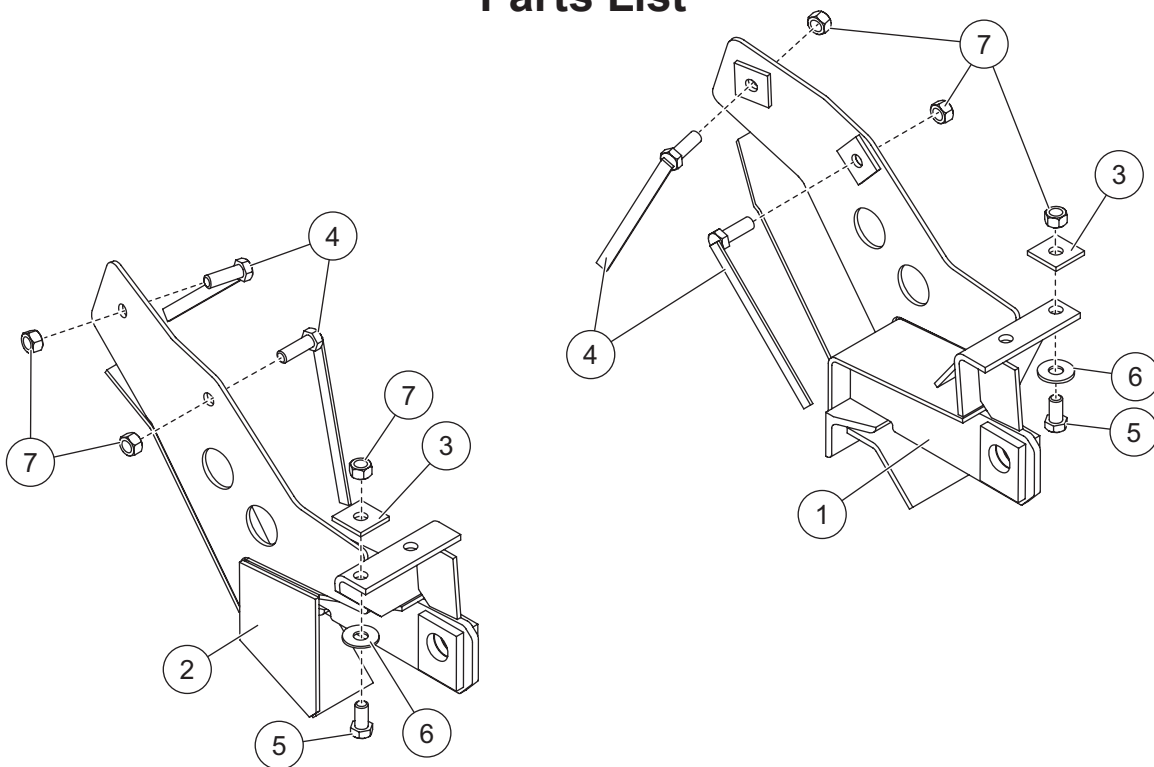
# Minute<sup>2</sup> SYSTEM

## MOUNT KIT

Jeep Wrangler

1997

### Parts List



7163 Mount Kit						
Item	Part	Qty	Description	Item	Part	Qty Description
1	26286	1	Pushplate, DS	4	21316	4 1/2-13 x 1-1/4 Handled Hex Cap Screw G5, 5-1/2
2	26287	1	Pushplate, PS	ns	26282	1 Bolt Bag
3	26285	2	Spacer			
26282 Bolt Bag						
5		2	1/2-13 x 1 Hex Cap Screw G5	7		6 1/2-13 Hex Locknut
6		2	1/2 Plain Washer G8			
			ns = not shown			
				G = Grade		

## INSTALLATION INSTRUCTIONS

### **⚠ CAUTION**

Read this document before installing the snowplow.

### **⚠ CAUTION**

See your FISHER® outlet/website for specific vehicle application recommendations before installation. The eMatch tool has specific vehicle and snowplow requirements.

## SAFETY DEFINITIONS

### **⚠ WARNING**

Indicates a potentially hazardous situation that, if not avoided, could result in death or serious personal injury.

### **⚠ CAUTION**

Indicates a potentially hazardous situation that, if not avoided, may result in minor or moderate injury. It may also be used to alert against unsafe practices.

**NOTE:** Indicates a situation or action that can lead to damage to your snowplow and vehicle or other property. Other useful information can also be described.

## SAFETY PRECAUTIONS

Improper installation and operation could cause personal injury and/or equipment and property damage. Read and understand labels and the Owner's Manual before installing, operating, or making adjustments.

### **⚠ WARNING**

Lower the blade when vehicle is parked. Temperature changes could change hydraulic pressure, causing the blade to drop unexpectedly or damaging hydraulic components. Failure to do this could result in serious personal injury.

### **⚠ WARNING**

The driver shall keep bystanders clear of the blade when it is being raised, lowered, or angled. Do not stand between vehicle and blade or within 8 feet of a moving blade. A moving or falling blade could cause personal injury.

### **⚠ WARNING**

Keep hands and feet clear of the blade and A-frame when mounting or removing the snowplow. Moving or falling assemblies could cause personal injury.

### **⚠ WARNING**

Do not exceed GVWR or GAWR including the blade and ballast. The rating label is found on the driver-side vehicle door cornerpost.

**⚠ WARNING**

To prevent accidental movement of the blade, always turn the control OFF whenever the snowplow is not in use. The power indicator light will turn OFF.

**⚠ WARNING**

Remove blade assembly before placing vehicle on hoist.

**⚠ CAUTION**

Refer to the eMatch tool for minimum vehicle recommendations and ballast requirements.

**PERSONAL SAFETY**

- Remove ignition key and put the vehicle in PARK or in gear to prevent others from starting the vehicle during installation or service.
- Wear only snug-fitting clothing while working on your vehicle or snowplow.
- Do not wear jewelry or a necktie, and secure long hair.
- Wear safety goggles to protect your eyes from battery acid, gasoline, dirt, and dust.
- Avoid touching hot surfaces such as the engine, radiator, hoses, and exhaust pipes.
- Always have a fire extinguisher rated BC handy, for flammable liquids and electrical fires.

**FIRE AND EXPLOSION****⚠ WARNING**

Gasoline is highly flammable and gasoline vapor is explosive. Never smoke while working on vehicle. Keep all open flames away from gasoline tank and lines. Wipe up any spilled gasoline immediately.

Be careful when using gasoline. Do not use gasoline to clean parts. Store only in approved containers away from sources of heat or flame.

**CELL PHONES**

A driver's first responsibility is the safe operation of the vehicle. The most important thing you can do to prevent a crash is to avoid distractions and pay attention to the road. Wait until it is safe to operate mobile communication equipment such as cell phones, text messaging devices, pagers, or two-way radios.

**VENTILATION****⚠ WARNING**

Vehicle exhaust contains lethal fumes. Breathing these fumes, even in low concentrations, can cause death. Never operate a vehicle in an enclosed area without venting exhaust to the outside.

**NOISE**

Airborne noise emission during use is below 70 dB(A) for the snowplow operator.









**VIBRATION**

Operating snowplow vibration does not exceed 2.5 m/s<sup>2</sup> to the hand-arm or 0.5 m/s<sup>2</sup> to the whole body.

**TORQUE CHART**

**⚠ CAUTION**

Read instructions before assembling. Fasteners should be finger tight until instructed to tighten according to the torque chart. Use standard methods and practices when attaching snowplow, including proper personal protective safety equipment.

<b>Recommended Fastener Torque Chart</b>					
<b>Inch Fasteners Grade 5 and Grade 8</b>					
Size	Torque (ft-lb)		Size	Torque (ft-lb)	
	 Grade 5	 Grade 8		 Grade 5	 Grade 8
1/4-20	8.4	11.9	9/16-12	109	154
1/4-28	9.7	13.7	9/16-18	121	171
5/16-18	17.4	24.6	5/8-11	150	212
5/16-24	19.2	27.3	5/8-18	170	240
3/8-16	30.8	43.6	3/4-10	269	376
3/8-24	35.0	49.4	3/4-16	297	420
7/16-14	49.4	69.8	7/8-9	429	606
7/16-20	55.2	77.9	7/8-14	474	669
1/2-13	75.3	106.4	1-8	644	909
1/2-20	85.0	120.0	1-12	704	995
<b>Metric Fasteners Class 8.8 and 10.9</b>					
Size	Torque (ft-lb)		Size	Torque (ft-lb)	
	 Class 8.8	 Class 10.9		 Class 8.8	 Class 10.9
M6 x 1.00	7.7	11.1	M20 x 2.50	325	450
M8 x 1.25	19.5	26.9	M22 x 2.50	428	613
M10 x 1.50	38.5	53.3	M24 x 3.00	562	778
M12 x 1.75	67	93	M27 x 3.00	796	1139
M14 x 2.00	107	148	M30 x 3.50	1117	1545
M16 x 2.00	167	231	M33 x 3.50	1468	2101
M18 x 2.50	222	318	M36 x 4.00	1952	2701
These torque values apply to fasteners except those noted in the instructions.					

**INSTALLATION INSTRUCTIONS**

**NOTE:** For easier assembly and installation, vehicle and all snowplow components should be on a smooth, level, hard surface, such as concrete.

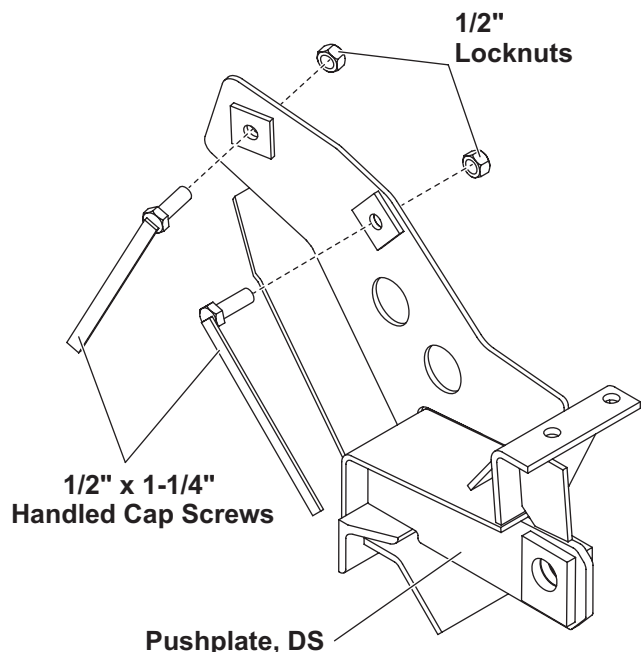
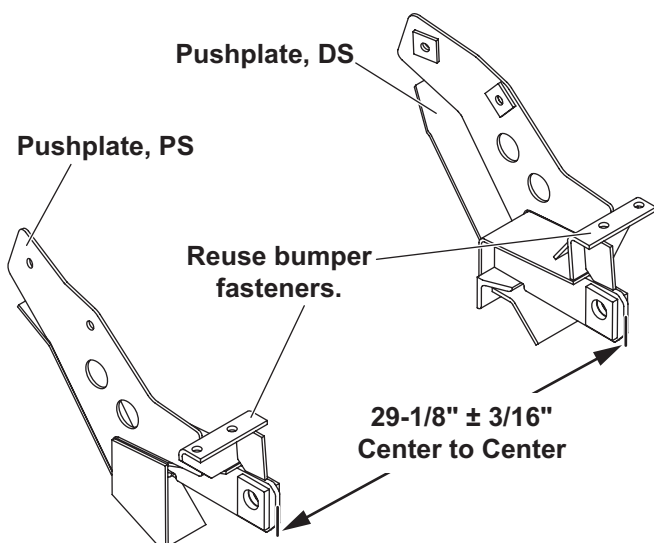
**NOTE:** Jeep requires the use of Mopar Part # 82202562 – air shock kit – when installing snowplows on Wranglers.

1. Remove and save lower bumper fasteners that attach bumper to frame along lower edge of bumper.
2. Starting with either pushplate, position pushplate in place and firmly attach using previously removed bumper fastener. Repeat with opposite side pushplate.

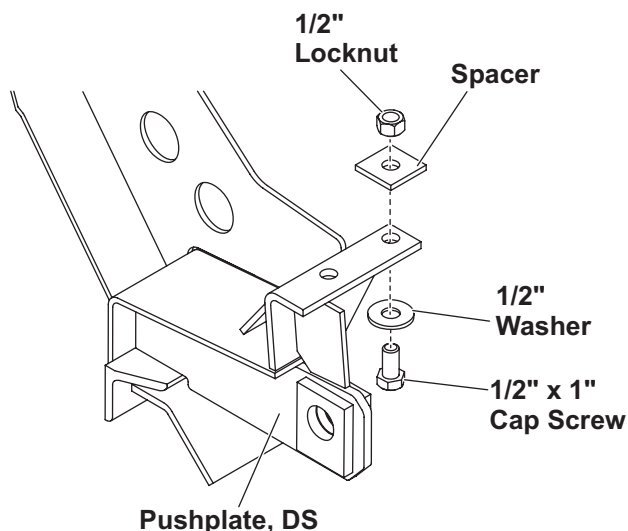
**⚠ CAUTION**

Use caution not to pinch, cut, or drill through any wires or hoses running along the frame rail.

3. With the rear of the pushplates clamped to the frame rails, verify that the distance between pushplates is  $29\text{-}1/8" \pm 3/16"$ . Using the holes in the rear of the plates as guides, drill two  $17/32"$  holes through each frame rail. Loosely attach each pushplate with two handled  $1/2"$  cap screws, passing the cap screws through the openings in frame rails and securing each with a  $1/2"$  locknut



4. Using the pushplates as guides, drill a  $17/32"$  hole up through the bottom of the bumper on the driver's side, and ream out the slot on the passenger's side, if necessary. Place a spacer above the holes on the inside of the bumper and secure with a  $1/2" \times 1"$  cap screw and  $1/2"$  washer on the underside of the frame. Secure with a  $1/2"$  locknut.



5. Tighten all fasteners at this time, according to the torque chart provided. Bend the cap screw handles out of the way.

**NOTE:** After five to ten hours of snowplow usage, retorque all pushplate assembly fasteners.

Copyright © 2023 Douglas Dynamics, LLC. All rights reserved. This material may not be reproduced or copied, in whole or in part, in any printed, mechanical, electronic, film, or other distribution and storage media, without the written consent of Fisher Engineering. Authorization to photocopy items for internal or personal use by Fisher Engineering outlets or snowplow owner is granted.

Fisher Engineering reserves the right under its product improvement policy to change construction or design details and furnish equipment when so altered without reference to illustrations or specifications used. Fisher Engineering or the vehicle manufacturer may require or recommend optional equipment for snow removal. Do not exceed vehicle ratings with a snowplow. Fisher Engineering offers a limited warranty for all snowplows and accessories. See separately printed page for this important information. The following are registered (®) trademarks of Douglas Dynamics, LLC: FISHER®, Minute Mount® 2.

**Printed in U.S.A.**