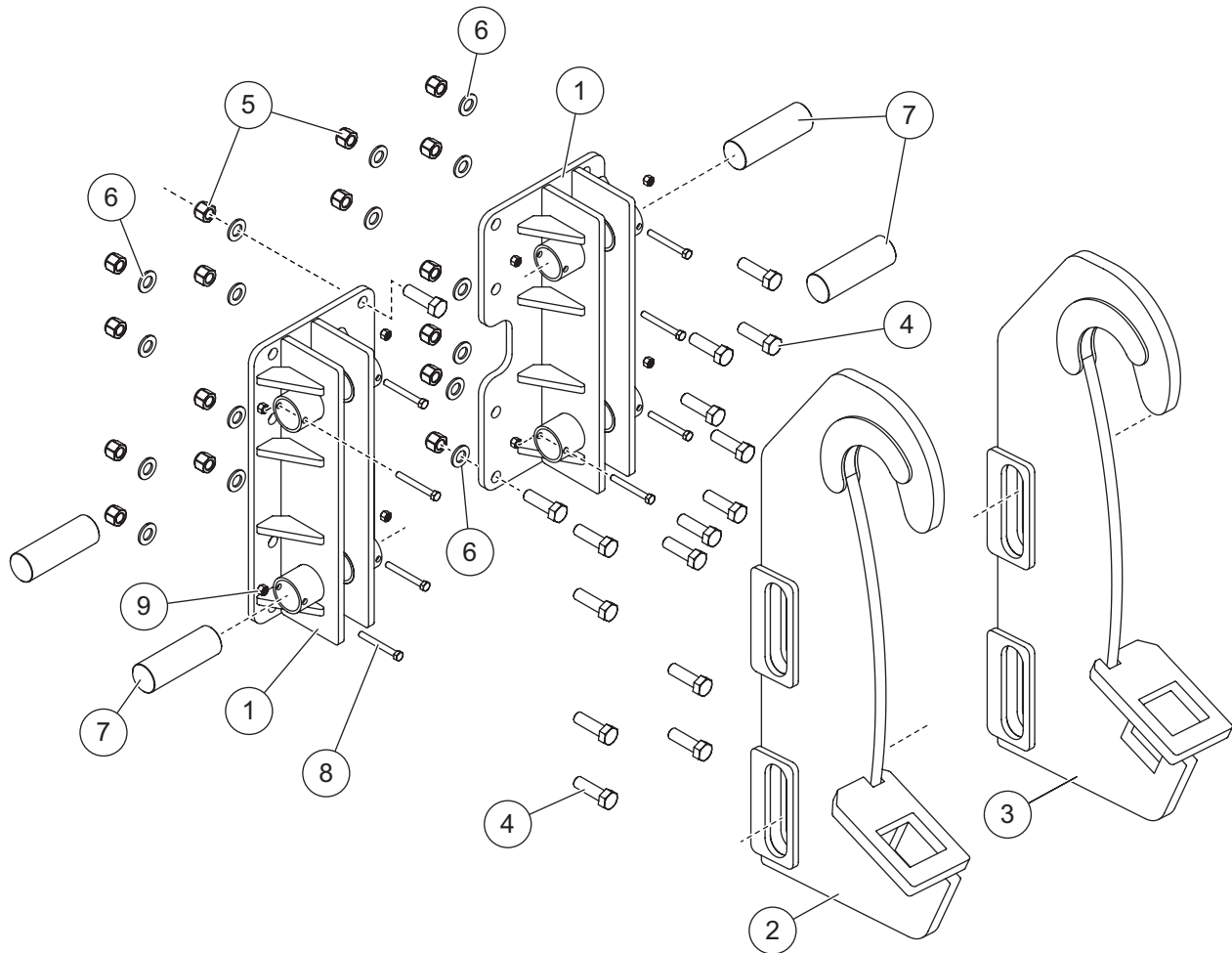


CAT Fusion Mount

TRACE™ Trip Edge Pusher Plows

PARTS LIST



79382 CAT Fusion Mount							
Item	Part	Qty	Description	Item	Part	Qty	Description
1	79782	2	Coupler Float Attachment Plate	3	79384	1	CAT Fusion Mounting Plate – PS
2	79383	1	CAT Fusion Mounting Plate – DS	ns	79637	1	Bolt Bag
79637 Bolt Bag							
4		16	3/4-10 x 3 Hex Cap Screw G5	7	83260	4	Coupler Pin 2 OD x 6
5		16	3/4-10 Hex Locknut GB	8		8	3/8-16 x 3 Hex Cap Screw G5
6		16	3/4 Flat Washer Type A Narrow	9		8	3/8-16 Hex Locknut GB
ns = not shown				G = Grade			

⚠ WARNING

Do not exceed vehicle weight rating, including blade.

⚠ CAUTION

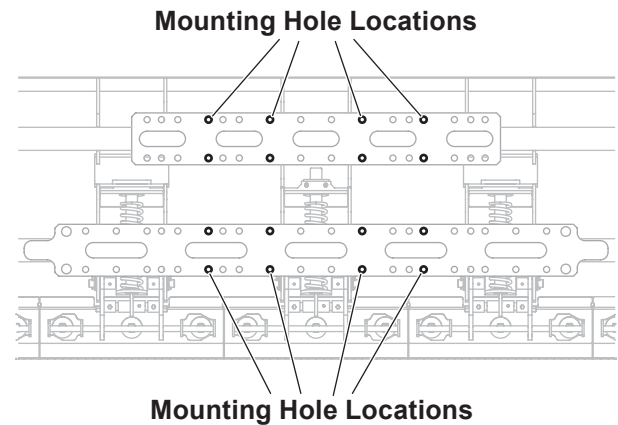
Read this document before installing the CAT IT Mount.

⚠ CAUTION

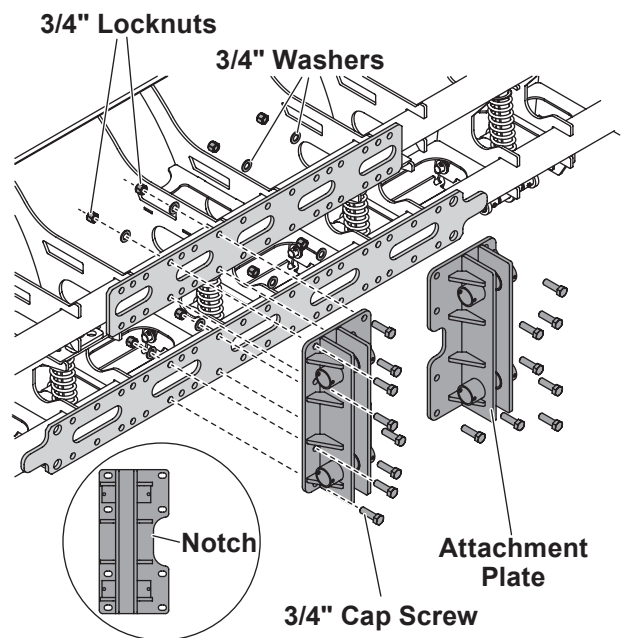
Use standard methods and practices when attaching snowplow and installing accessories, including proper personal protective safety equipment.

INSTALLATION INSTRUCTIONS

1. Locate the eight mounting hole locations for the attachment plates on the back of the blade as shown.

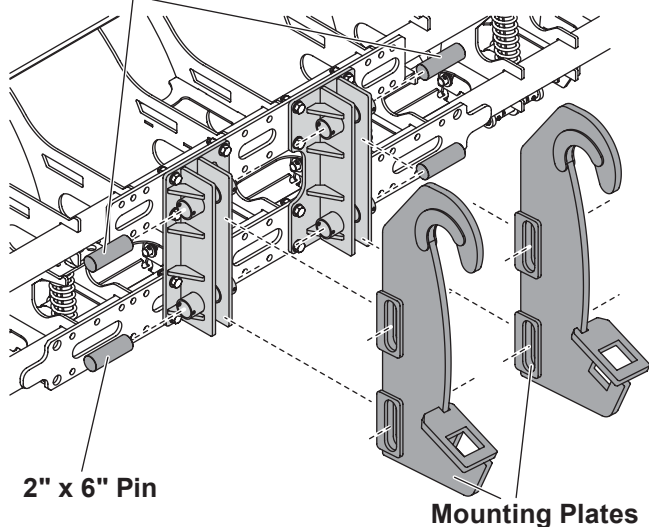


2. Install each attachment plate to the eight indicated holes with 3/4" x 3" cap screws, 3/4" washers, and 3/4" locknuts as shown. The notches in the attachment plates must face the center of the snowplow. Tighten to 269 ft-lb (365 N·m).



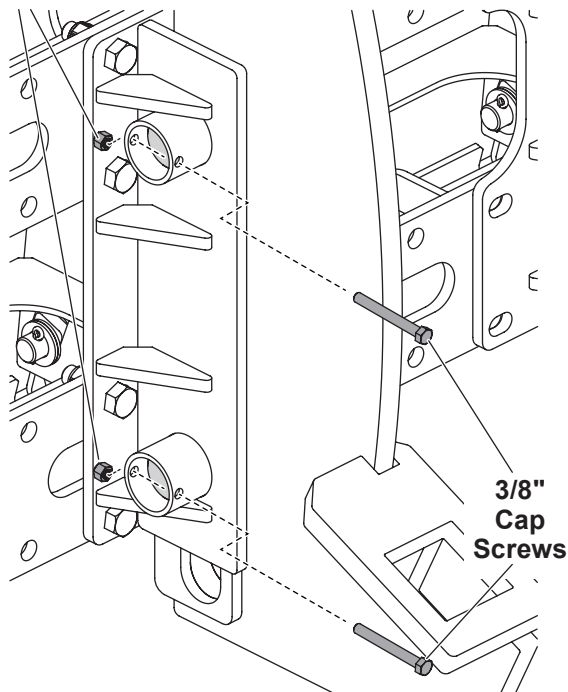
3. Install the mounting plates to the attachment plates with four 2" x 6" pins.

2" x 6" Pins



4. Secure each end of each pin with the eight provided 3/8" x 3" cap screws and 3/8" locknuts as shown. Tighten to 30.8 ft-lb (41.8 N·m).

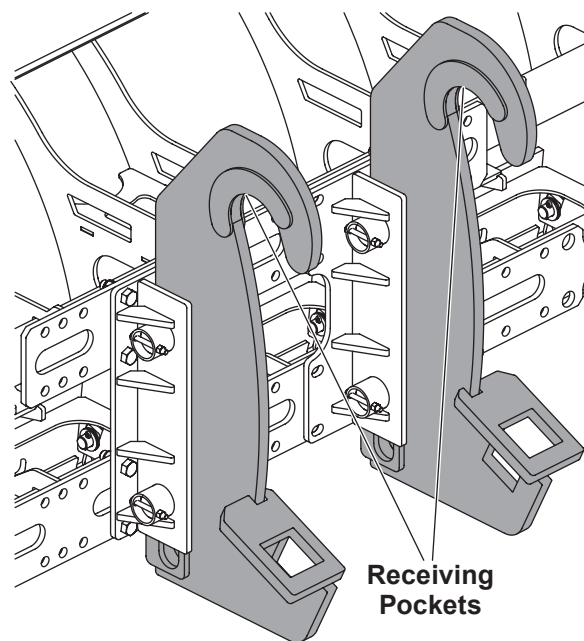
3/8" Locknuts



ATTACHING SNOWPLOW TO LOADER

The pusher plow mount is designed to work with the vehicle's OEM attachment bracket.

1. Position the loader close to the snowplow with the attachment bracket aligned with the mount plates.
2. Tilt the loader plate forward and position the top edge of the attachment bracket under the receiving pockets on the mount plates.



3. Slowly raise the arms on the loader and tilt the loader plate toward the cab until the mount plates are flush with the OEM attachment bracket.

Copyright © 2023 Douglas Dynamics, LLC. All rights reserved. This material may not be reproduced or copied, in whole or in part, in any printed, mechanical, electronic, film, or other distribution and storage media, without the written consent of the company. Authorization to photocopy items for internal or personal use by the company's outlets or snowplow owner is granted.

The company reserves the right under its product improvement policy to change construction or design details and furnish equipment when so altered without reference to illustrations or specifications used. This equipment manufacturer or the vehicle manufacturer may require or recommend optional equipment for snow removal. Do not exceed vehicle ratings with a snowplow. The company offers a limited warranty for all snowplows and accessories. See separately printed page for this important information. The following is an unregistered (™) trademark of Douglas Dynamics, LLC: TRACE™.

Printed in U.S.A.