



Fisher Engineering

50 Gordon Drive, Rockland, Maine 04841-2139 • www.fisherplows.com

October 1, 2019
Lit. No. 41491, Rev. 04

Minute² Mount[®]

SYSTEM

MOUNT KIT

GM K2500/2500HD/3500/3600 Silv/Sierra	2011–19
GM C3500/3600 Silv/Sierra	2011–19

Installation Instructions

▲ CAUTION

Read this document before installing the snowplow.

▲ CAUTION

See your FISHER[®] outlet/website for specific vehicle application recommendations before installation. The eMatch selection system has specific vehicle and snowplow requirements.

SAFETY DEFINITIONS

⚠ WARNING

Indicates a potentially hazardous situation that, if not avoided, could result in death or serious personal injury.

⚠ CAUTION

Indicates a potentially hazardous situation that, if not avoided, may result in minor or moderate injury. It may also be used to alert against unsafe practices.

NOTE: Indicates a situation or action that can lead to damage to your snowplow and vehicle or other property. Other useful information can also be described.

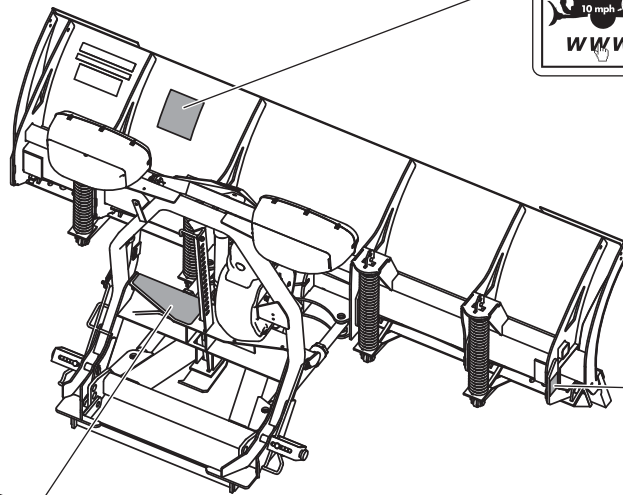
WARNING/CAUTION AND INSTRUCTION LABELS

Become familiar with and inform users about the warning labels on the back of the blade and the instruction label on the headgear.

NOTE: If labels are missing or cannot be read, see your sales outlet.

Warning/Caution Label

⚠ WARNING	
	Lower blade when vehicle is parked.
	Do not exceed GVWR or GAWR including blade and ballast.
⚠ CAUTION	
	Read Owner's Manual before operating or servicing snowplow.
	Transport speed should not exceed 45 mph (72 km/h). Further reduce speed under adverse travel conditions.
	Plowing speed should not exceed 10 mph (16 km/h).
See your sales outlet/website for specific vehicle application recommendations.	



Multiple Pinch Points Label

⚠ WARNING	
Multiple Pinch Points	

**XLSTM™ Blades Only
(both sides)**

Instruction Label

	<ol style="list-style-type: none"> 1. Push Pin Release Handle down to pull out Connecting Pins. 2. Drive vehicle slowly to engage Pushplates into Attachment Arms. 3. Stand in front of blade. Fully raise Pin Release Handle to release Connecting Pins. 4. Push Headgear toward vehicle to allow Connecting Pins to fully engage Pushplates. If unable to push Headgear from in front of blade, stand in front of Headgear on driver side and push Headlamp Bracket. 5. Pull out Jack Lock. Push Pin Release Handle into Stop. 6. While holding Jack Lock out, use Jack Handle to raise Jack fully. Release Jack Lock. 7. Attach all electrical connectors. <p style="text-align: center;"><small>Read Owner's Manual for complete instructions.</small></p> <ol style="list-style-type: none"> 1. Place control in Lower/Float to put blade down. 2. Pull and hold Jack Lock out. Jack will drop to ground. Then pull Pin Release Handle away from Stop and Jack Lock. Release Jack Lock. Verify that Jack is locked by trying to lift Jack. 3. Stand in front of blade. While pushing Headgear toward vehicle with left hand, push Pin Release Handle down to disengage Connecting Pins. Make sure Connecting Pins are fully retracted. If unable to push Headgear from in front of blade, stand in front of Headgear on driver side and push Headlamp Bracket. 4. Detach all electrical connectors.
--	--

SAFETY PRECAUTIONS

Improper installation and operation could cause personal injury and/or equipment and property damage. Read and understand labels and the Owner's Manual before installing, operating, or making adjustments.

⚠ WARNING

Lower blade when vehicle is parked. Temperature changes could change hydraulic pressure, causing the blade to drop unexpectedly or damaging hydraulic components. Failure to do this could result in serious personal injury.

⚠ WARNING

The driver shall keep bystanders clear of the blade when it is being raised, lowered, or angled. Do not stand between the vehicle and the blade or within 8 feet of a moving blade. A moving or falling blade could cause personal injury.

⚠ WARNING

Keep hands and feet clear of the blade and A-frame when mounting or removing the snowplow. Moving or falling assemblies could cause personal injury.

⚠ WARNING

Do not exceed GVWR or GAWR including the blade and ballast. The rating label is found on the driver-side vehicle door cornerpost.

⚠ WARNING

To prevent accidental movement of the blade, always turn the control OFF whenever the snowplow is not in use. The power indicator light will turn OFF.

⚠ WARNING

Remove blade assembly before placing vehicle on hoist.

⚠ CAUTION

Refer to the eMatch selection system for minimum vehicle recommendations and ballast requirements.

PERSONAL SAFETY

- Remove the ignition key and put the vehicle in PARK or in gear to prevent others from starting the vehicle during installation or service.
- Wear only snug-fitting clothing while working on your vehicle or snowplow.
- Do not wear jewelry or a necktie, and secure long hair.
- Wear safety goggles to protect your eyes from battery acid, gasoline, dirt, and dust.
- Avoid touching hot surfaces such as the engine, radiator, hoses, and exhaust pipes.
- Always have a fire extinguisher rated BC handy, for flammable liquids and electrical fires.

FIRE AND EXPLOSION

⚠ WARNING

Gasoline is highly flammable and gasoline vapor is explosive. Never smoke while working on vehicle. Keep all open flames away from gasoline tank and lines. Wipe up any spilled gasoline immediately.

Be careful when using gasoline. Do not use gasoline to clean parts. Store only in approved containers away from sources of heat or flame.

CELL PHONES

A driver's first responsibility is the safe operation of the vehicle. The most important thing you can do to prevent a crash is to avoid distractions and pay attention to the road. Wait until it is safe to operate Mobile Communication Equipment such as cell phones, text messaging devices, pagers, or two-way radios.

VENTILATION

⚠ WARNING

Vehicle exhaust contains lethal fumes. Breathing these fumes, even in low concentrations, can cause death. Never operate a vehicle in an enclosed area without venting exhaust to the outside.

NOISE

Airborne noise emission during use is below 70 dB(A) for the snowplow operator.

VIBRATION

Operating snowplow vibration does not exceed 2.5 m/s² to the hand-arm or 0.5 m/s² to the whole body.

TORQUE CHART

⚠ CAUTION

Read instructions before assembling. Fasteners should be finger tight until instructed to tighten according to the torque chart. Use standard methods and practices when attaching snowplow including proper personal protective safety equipment.

Recommended Fastener Torque Chart					
Inch Fasteners Grade 5 and Grade 8					
Size	Torque (ft-lb)		Size	Torque (ft-lb)	
	Grade 5	Grade 8		Grade 5	Grade 8
1/4-20	8.4	11.9	9/16-12	109	154
1/4-28	9.7	13.7	9/16-18	121	171
5/16-18	17.4	24.6	5/8-11	150	212
5/16-24	19.2	27.3	5/8-18	170	240
3/8-16	30.8	43.6	3/4-10	269	376
3/8-24	35.0	49.4	3/4-16	297	420
7/16-14	49.4	69.8	7/8-9	429	606
7/16-20	55.2	77.9	7/8-14	474	669
1/2-13	75.3	106.4	1-8	644	909
1/2-20	85.0	120.0	1-12	704	995

Metric Fasteners Class 8.8 and 10.9					
Size	Torque (ft-lb)		Size	Torque (ft-lb)	
	Class 8.8	Class 10.9		Class 8.8	Class 10.9
M6 x 1.00	7.7	11.1	M20 x 2.50	325	450
M8 x 1.25	19.5	26.9	M22 x 2.50	428	613
M10 x 1.50	38.5	53.3	M24 x 3.00	562	778
M12 x 1.75	67	93	M27 x 3.00	796	1139
M14 x 2.00	107	148	M30 x 3.50	1117	1545
M16 x 2.00	167	231	M33 x 3.50	1468	2101
M18 x 2.50	222	318	M36 x 4.00	1952	2701

These torque values apply to fasteners except those noted in the instructions.

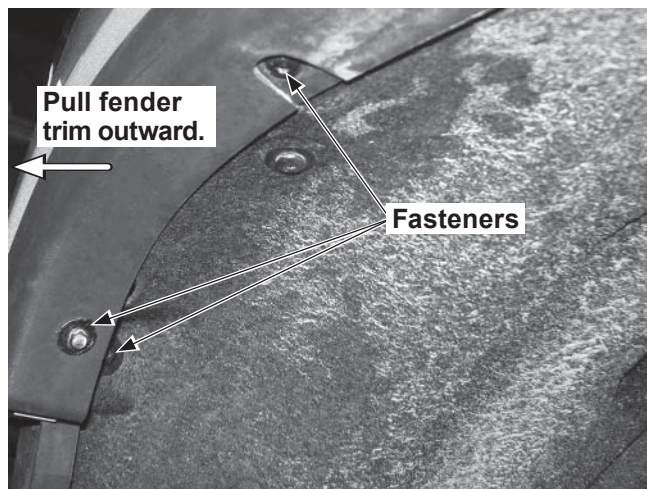
INSTALLATION INSTRUCTIONS

NOTE: For easier assembly and installation, vehicle and all snowplow components should be on a smooth, level, hard surface, such as concrete.

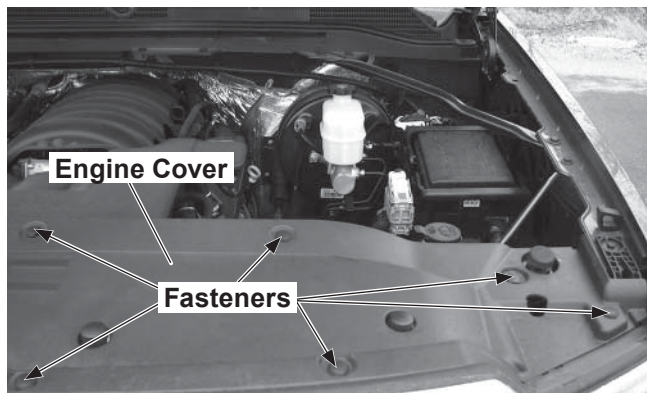
**Headlamp Removal
2015 and Newer Trucks Only**

**Fender Trim Preparation
2015 and Newer Trucks Only**

1. If the vehicle is equipped with fender trim, remove the two fasteners attaching the fender trim to the driver-side wheel well. Remove the one fastener located to the side of the fender as shown. Pull the fender trim away from the vehicle body.



2. Remove the engine compartment cover by removing the twelve outer fasteners, six of which are pointed out below.



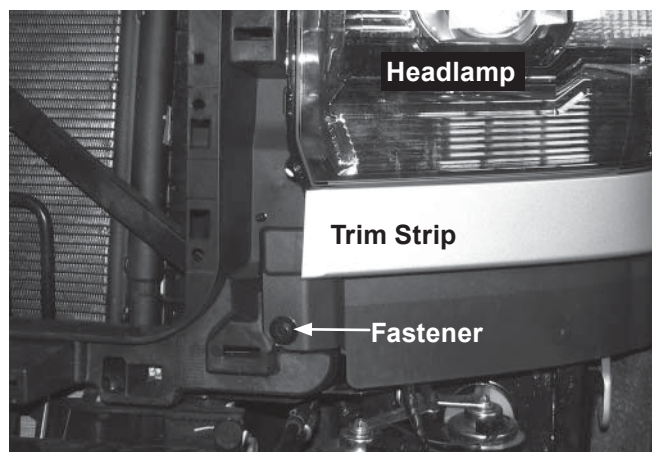
3. Remove the grille fasteners and pull out the grille.
4. Remove the bumper fasteners and pull off the bumper.

Headlamp Trim Removal 2015 and Newer Trucks Only

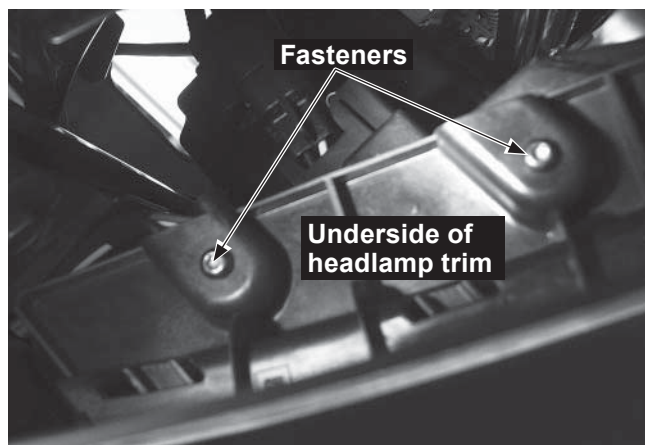
5. In order to remove the headlamp, the plastic trim strip below it must be removed first. Remove the fasteners hidden behind the plastic trim piece and the wheel well fender.



6. Remove the fastener to the side of the plastic trim piece. Remove the trim piece.



7. Remove the two fasteners on the underside of the headlamp trim.

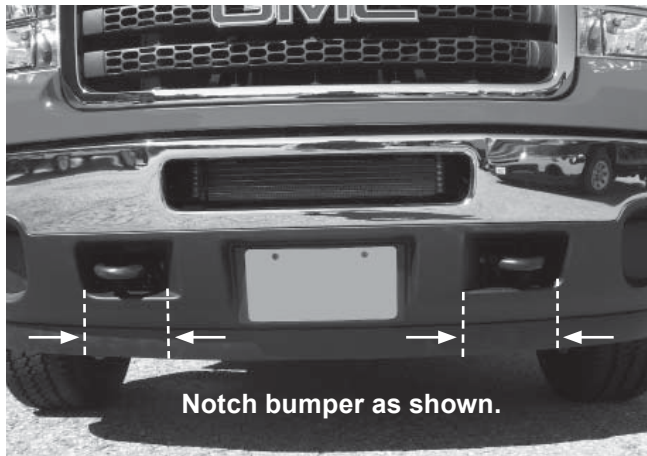


8. The headlamp is held in place by four fasteners. Remove the two fasteners on the top of the headlamp, as well as the fasteners on the side and the front.

For 2015 and newer trucks, install the isolation module at this time. Refer to the electrical harness Installation Instructions for details.

Bumper Notch Instructions 2011–2014 Trucks Only

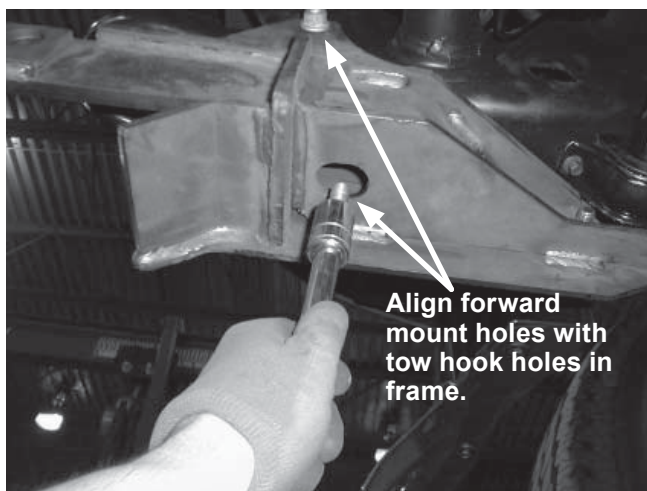
1. Remove the tow hooks. Notch the lower plastic portion of the bumper to fit, as shown below.



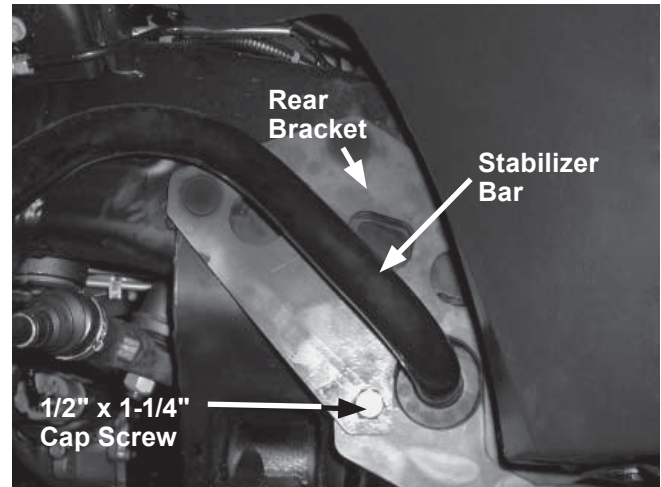
Mount Installation Instructions All Vehicles

NOTE: For easier assembly and installation, vehicle and all snowplow components should be on a smooth, level, hard surface, such as concrete.

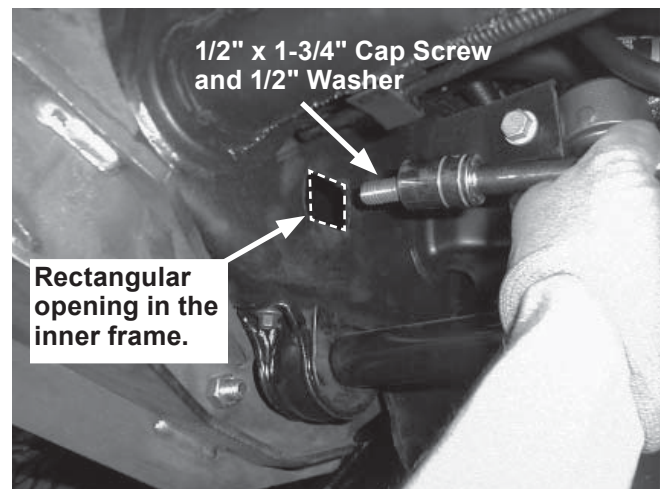
1. Beginning with the passenger-side mount, align the forward mount holes with tow hook holes in the frame. Reinstall the tow hook and fasteners and tighten according to the torque chart provided. Repeat on the opposite side.



2. Position the rear brackets around the front stabilizer bar as shown in the photo below. Loosely attach the rear brackets to the mounts using three 1/2" x 1-1/4" cap screws and 1/2" locknuts on each mount.



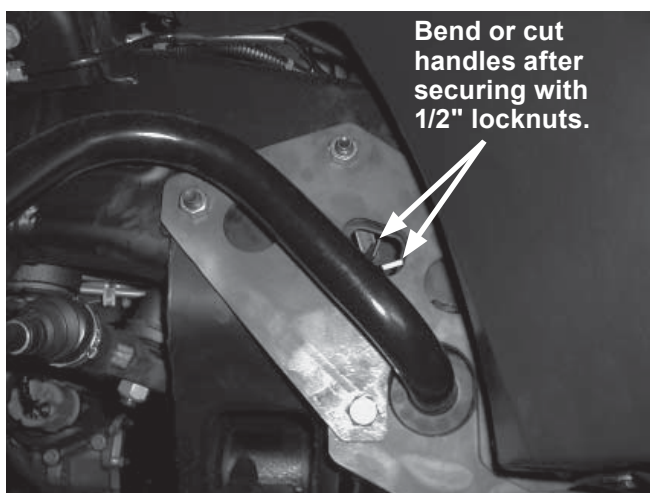
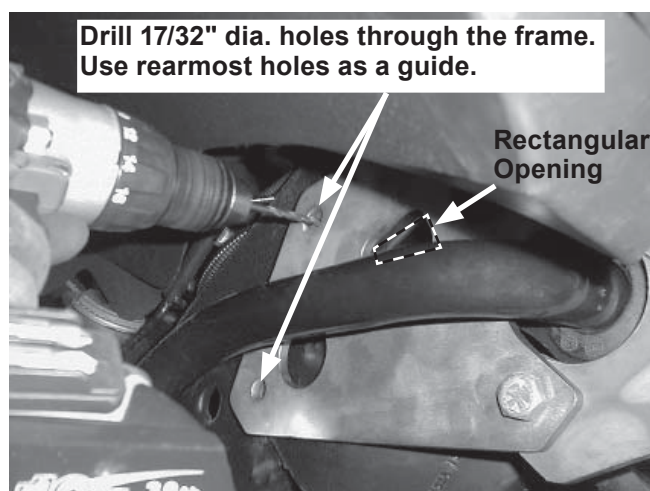
3. Insert a 1/2" x 1-3/4" cap screw and 1/2" washer through the rectangular opening in the inner surface of the frame. Secure loosely with a 1/2" locknut. Adjust the position of the rear brackets upward as far as possible and secure the 1-3/4" fastener, as well as the three 1-1/4" cap screws from Step 3.



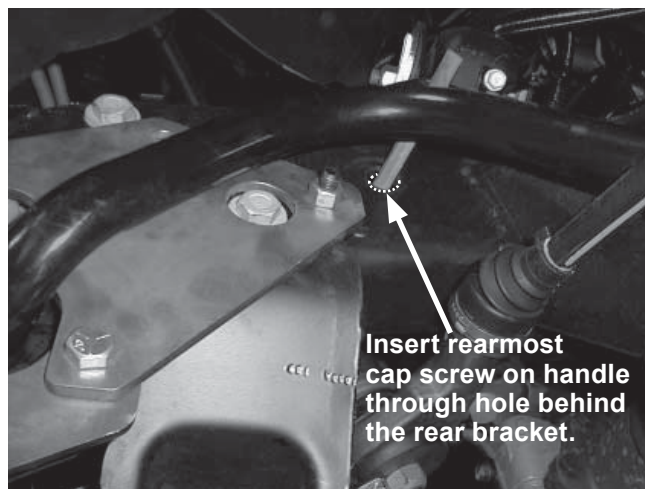
⚠ CAUTION

Use caution not to pinch, cut or drill through any wires or hoses running along the frame rail.

4. On the passenger's side, drill two 17/32" diameter holes through the vehicle frame using the rearmost 9/16" holes in the brackets as guides. Insert two cap screws with handles and washers through the rectangular opening in the rear bracket and through the previously drilled holes in the vehicle frame. Secure with 1/2" locknuts. Bend or cut the handles so that they do not interfere with the range of motion of the front stabilizer bar.

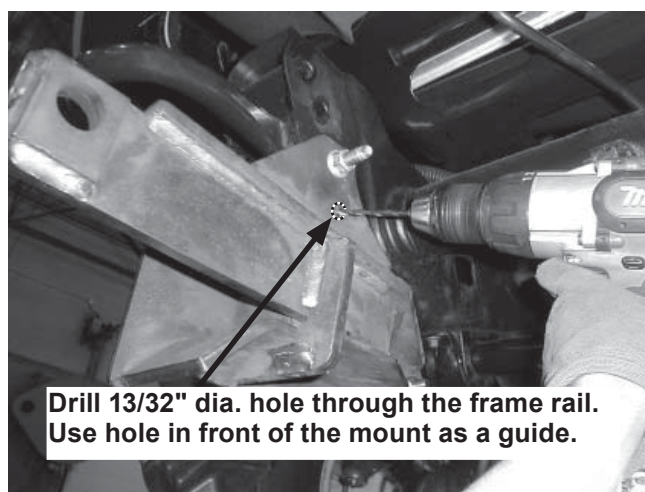


Repeat this process on the driver's side, noting that the rearmost cap screw on handle must be inserted through the round hole behind the rear bracket as shown. Bend or cut handles so that they do not interfere with the range of motion of the front stabilizer bar.

**⚠ CAUTION**

Use caution not to pinch, cut or drill through any wires or hoses running along the frame rail.

5. Using the 7/16" hole on the front of the mounts as a guide, drill a 13/32" diameter hole through the frame rail. Insert a 3/8" x 1" cap screw through the drilled hole and secure with a 3/8" washer and 3/8" locknut.



Bumper not shown.

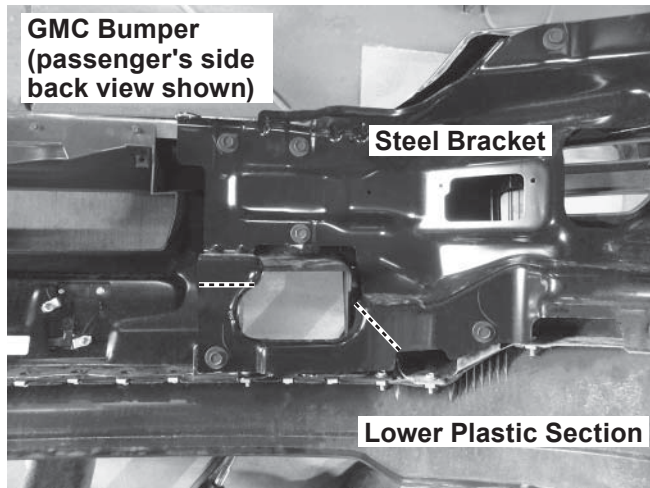
Bumper Notch Instructions (continued)

2011–2014 Trucks Only

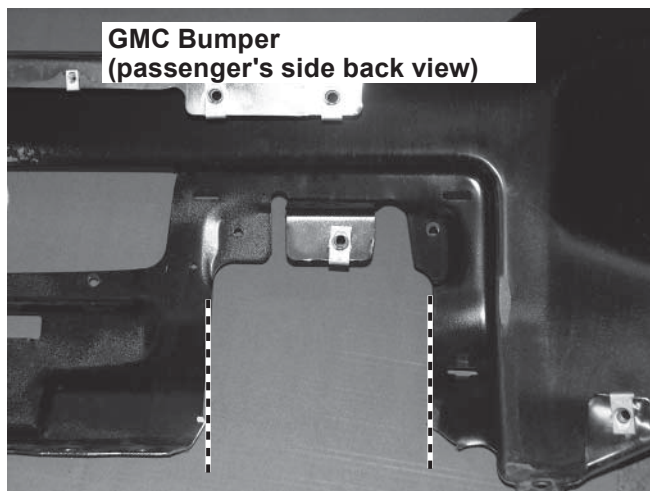
1. Use the off-truck portion of the snowplow to determine any additional trimming of the lower bumper valence required to clear all snowplow components when attaching/detaching the snowplow from the vehicle.

2015 and Newer GMC Trucks Only

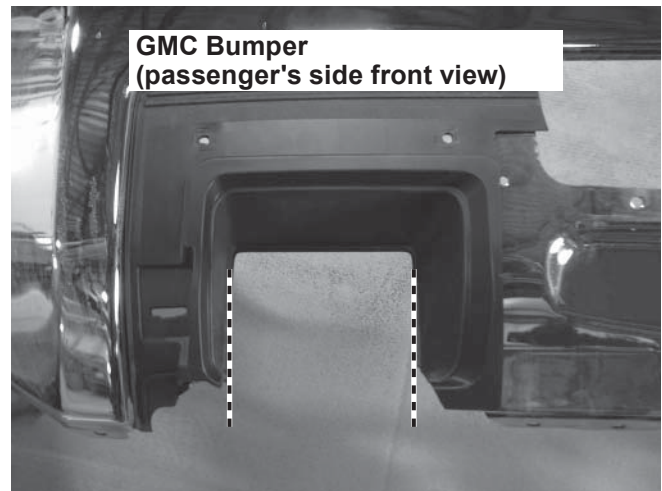
1. Remove the lower plastic portion of the bumper. Remove the large steel bracket and cut along the steel portion of the bumper as shown below.



2. Notch to create an opening in the tow hook cavity in the steel portion of the bumper.

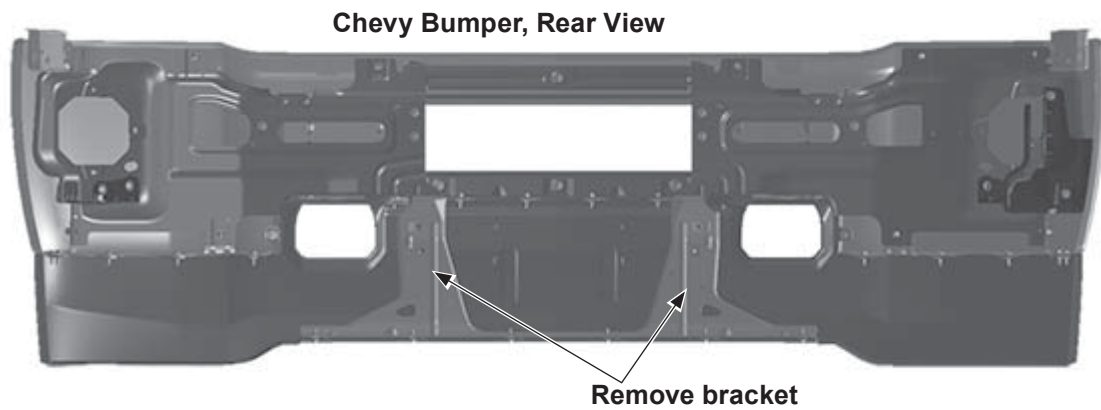


3. Remove the plastic portion of the bumper and notch as shown below.

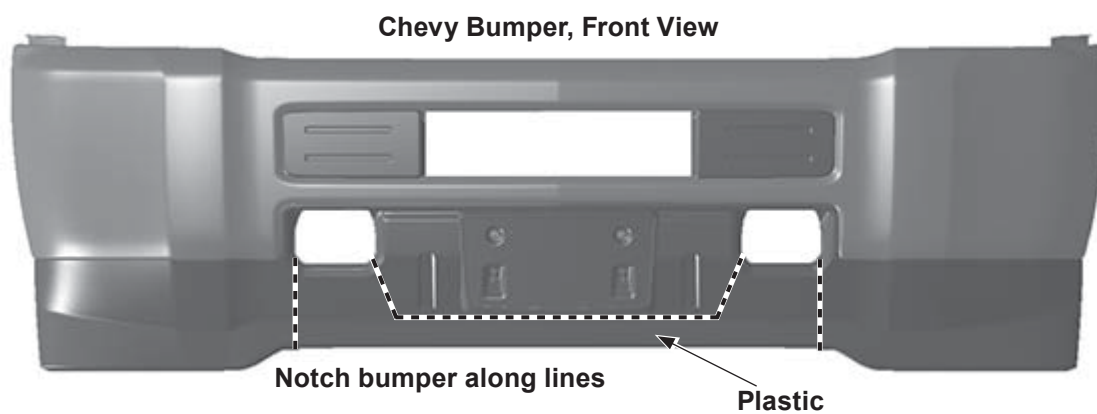


2015 and Newer Chevy Trucks Only

1. Remove the bracket on the back of the bumper as shown.



2. Notch the plastic portion of the bumper as shown.



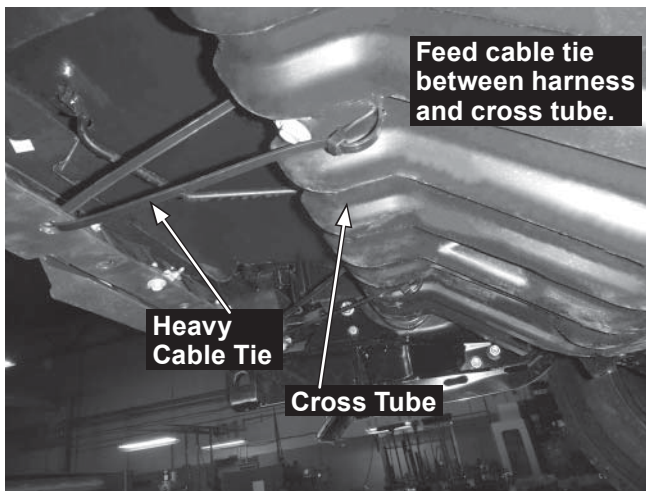
All 2015 and Newer Vehicles

1. Reinstall the bumper.

⚠ CAUTION

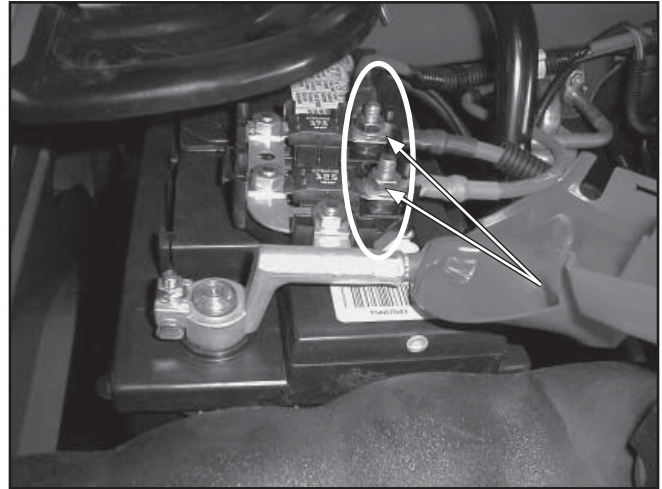
Use caution not to pinch, cut or drill through any wires or hoses running along the frame rail.

2. Tie back the lower, plastic portion of the bumper to the cross tube using cable ties, as shown below. Holes can be drilled in the plastic splash pan to allow the cable ties around the cross tube. Run the cable ties underneath the harness running along the tube. Reinstall the grille and headlamp trim.



Electrical Installation

If the vehicle is equipped with fused battery studs, the plow battery cables should not be attached to the fused side (shown below).



NOTE: After five to ten hours of snowplow usage, retorque all mount assembly fasteners.

Fisher Engineering reserves the right under its product improvement policy to change construction or design details and furnish equipment when so altered without reference to illustrations or specifications used. Fisher Engineering or the vehicle manufacturer may require or recommend optional equipment for snow removal. Do not exceed vehicle ratings with a snowplow. Fisher Engineering offers a limited warranty for all snowplows and accessories. See separately printed page for this important information. The following are registered (®) trademarks of Douglas Dynamics, LLC: FISHER®, Minute Mount® 2, XLS™.

Printed in U.S.A.