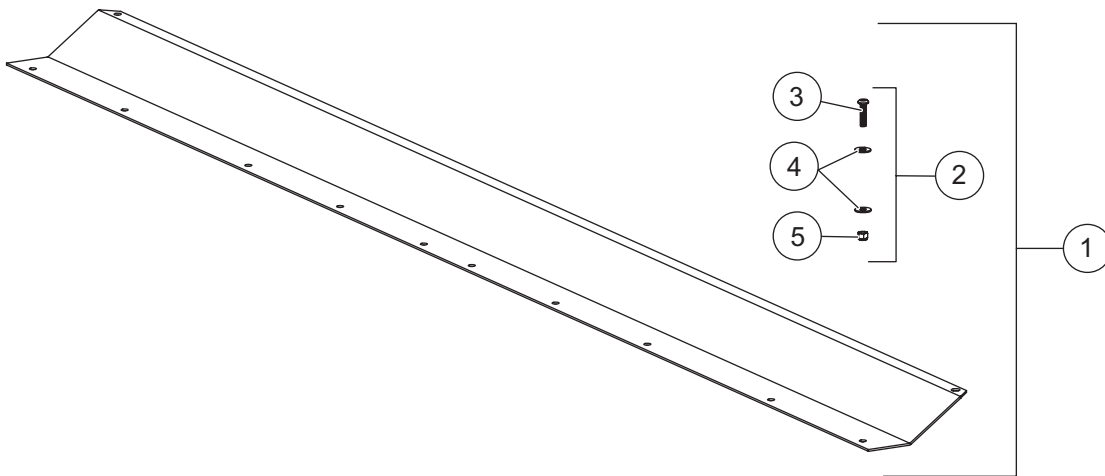




Steel Deflector Kit

HD2™ and HDX™ Blades

PARTS LIST



Steel Deflector Kit – HD2 and HDX							
Item	Part	Qty	Description	Item	Part	Qty	Description
1	41844	1	Steel Deflector Kit – 7-1/2'	2	52160	1	Bolt Bag – Steel Deflector
	41845	1	Steel Deflector Kit – 8'				
	41846	1	Steel Deflector Kit – 8-1/2'				
	41847	1	Steel Deflector Kit – 9'				
Item 2	52160 Bolt Bag						
3		10	3/8-16 x 1-1/2 Button Cap Screw	5		10	3/8-16 Brass Locknut
4		20	3/8 Hardened Flat Washer				

INSTALLATION INSTRUCTIONS

⚠ WARNING

Do not exceed GVWR or GAWR, including blade and ballast. The rating label is found on the driver-side vehicle door cornerpost.

⚠ CAUTION

Read this document before installing the steel deflector.

⚠ CAUTION

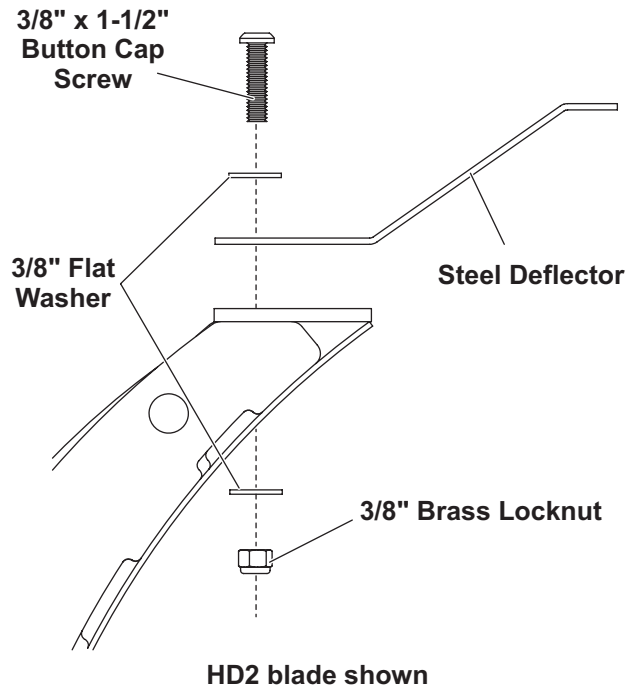
Use standard methods and practices when attaching snowplow and installing accessories, including proper personal protective safety equipment.

⚠ CAUTION

See your FISHER® outlet/Web site for specific vehicle application recommendations before installation. Steel deflector weight information may be found in the eMatch selection system.

1. Park the vehicle on a smooth, level, hard surface, such as concrete. Lower the blade to the ground, and turn the control OFF. Disconnect the snowplow from the vehicle or turn the vehicle ignition to the OFF position and remove the key.

2. For **HD2™ installations**: Skip to Step 3.
For **HDX™ installations**: Remove the existing fasteners along the top edge of the moldboard.
3. Align the deflector on the top of the blade, matching up the holes in the deflector with the holes in the top bar or moldboard.
4. Fasten the deflector to the snowplow with the supplied 3/8" x 1-1/2" cap screws, washers and locknuts as shown. Torque fasteners to 18 ft-lb



Copyright © 2015 Douglas Dynamics, LLC. All rights reserved. This material may not be reproduced or copied, in whole or in part, in any printed, mechanical, electronic, film or other distribution and storage media, without the written consent of Fisher Engineering. Authorization to photocopy items for internal or personal use by Fisher Engineering outlets or snowplow owner is granted.

Fisher Engineering reserves the right under its product improvement policy to change construction or design details and furnish equipment when so altered without reference to illustrations or specifications used. Fisher Engineering or the vehicle manufacturer may require or recommend optional equipment for snow removal. Do not exceed vehicle ratings with a snowplow. Fisher Engineering offers a limited warranty for all snowplows and accessories. See separately printed page for this important information. The following are registered (®) or unregistered (™) trademarks of Douglas Dynamics, LLC: FISHER®, HD2™, HDX™.

Printed in U.S.A.