



MOUNT KIT

GM K1500 Silv/Sierra

2007–18

All New

2014–18

Installation Instructions

▲ CAUTION

Read this document before installing the snowplow.

▲ CAUTION

See your FISHER® outlet/website for specific vehicle application recommendations before installation. The eMatch tool has specific vehicle and snowplow requirements.

SAFETY DEFINITIONS

⚠ WARNING

Indicates a potentially hazardous situation that, if not avoided, could result in death or serious personal injury.

⚠ CAUTION

Indicates a potentially hazardous situation that, if not avoided, may result in minor or moderate injury. It may also be used to alert against unsafe practices.

NOTE: Indicates a situation or action that can lead to damage to your snowplow and vehicle or other property. Other useful information can also be described.


WARNING/CAUTION AND INSTRUCTION LABELS


Become familiar with and inform users about the warning labels on the back of the blade and the instruction label on the headgear.

NOTE: If labels are missing or cannot be read, see your sales outlet.


Warning/Caution Label


⚠ WARNING


 Blade could drop unexpectedly, crushing or trapping limbs. Lower blade when vehicle is parked.

 Overloading could negatively affect vehicle handling. To avoid serious injury or death, do not exceed GVWR or GAWR including blade and ballast.

⚠ CAUTION

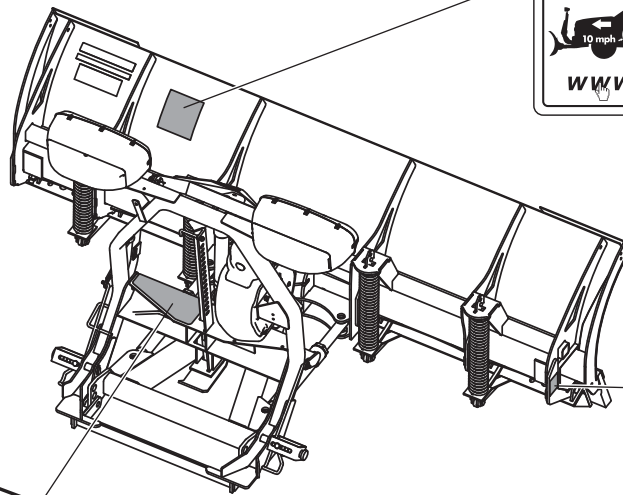
 Read Owner's Manual before operating or servicing snowplow.

 Transport speed should not exceed 45 mph (72 km/h). Further reduce speed under adverse travel conditions.

 Plowing speed should not exceed 10 mph (16 km/h).

See your sales outlet/website for specific vehicle application recommendations.

www.



Multiple Pinch Points Label

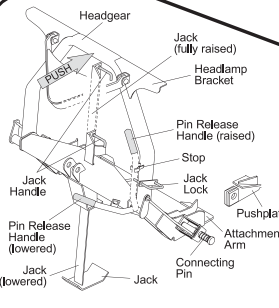
⚠ WARNING



Multiple Pinch Points

XLSTM™ Blades Only (both sides)

Instruction Label



1. Push **Pin Release Handle** down to pull out **Connecting Pins**.
2. Drive vehicle slowly to engage **Pushplates** into **Attachment Arms**.
3. Stand in front of blade. Fully raise **Pin Release Handle** to release **Connecting Pins**.
4. Push **Headgear** toward vehicle to allow **Connecting Pins** to fully engage **Pushplates**. If unable to push **Headgear** from in front of blade, stand in front of **Headgear** on driver side and push **Headlamp Bracket**.
5. Pull out **Jack Lock**. Push **Pin Release Handle** into **Stop**.
6. While holding **Jack Lock** out, use **Jack Handle** to raise **Jack** fully. Release **Jack Lock**.
7. Attach all electrical connectors.

ATTACH

DETACH

Read Owner's Manual for complete instructions.

1. Place control in Lower/Float to put blade down.
2. Pull and hold **Jack Lock** out. **Jack** will drop to ground. Then pull **Pin Release Handle** away from **Stop** and **Jack Lock**. Release **Jack Lock**. Verify that **Jack** is locked by trying to lift **Jack**.
3. Stand in front of blade. While pushing **Headgear** toward vehicle with left hand, push **Pin Release Handle** down to disengage **Connecting Pins**. Make sure **Connecting Pins** are fully retracted. If unable to push **Headgear** from in front of blade, stand in front of **Headgear** on driver side and push **Headlamp Bracket**.
4. Detach all electrical connectors.

SAFETY PRECAUTIONS

Improper installation and operation could cause personal injury and/or equipment and property damage. Read and understand labels and the Owner's Manual before installing, operating, or making adjustments.

⚠ WARNING

Lower the blade when vehicle is parked. Temperature changes could change hydraulic pressure, causing the blade to drop unexpectedly or damaging hydraulic components. Failure to do this could result in serious personal injury.

⚠ WARNING

The driver shall keep bystanders clear of the blade when it is being raised, lowered, or angled. Do not stand between the vehicle and the blade or within 8 feet of a moving blade. A moving or falling blade could cause personal injury.

⚠ WARNING

Keep hands and feet clear of the blade and A-frame when mounting or removing the snowplow. Moving or falling assemblies could cause personal injury.

⚠ WARNING

Do not exceed GVWR or GAWR including the blade and ballast. The rating label is found on the driver-side vehicle door cornerpost.

⚠ WARNING

To prevent accidental movement of the blade, always turn the control OFF whenever the snowplow is not in use. The power indicator light will turn OFF.

⚠ WARNING

Remove blade assembly before placing vehicle on hoist.

⚠ CAUTION

Refer to the eMatch tool for minimum vehicle recommendations and ballast requirements.

PERSONAL SAFETY

- Remove ignition key and put the vehicle in PARK or in gear to prevent others from starting the vehicle during installation or service.
- Wear only snug-fitting clothing while working on your vehicle or snowplow.
- Do not wear jewelry or a necktie, and secure long hair.
- Wear safety goggles to protect your eyes from battery acid, gasoline, dirt, and dust.
- Avoid touching hot surfaces such as the engine, radiator, hoses, and exhaust pipes.
- Always have a fire extinguisher rated BC handy, for flammable liquids and electrical fires.

FIRE AND EXPLOSION

⚠ WARNING

Gasoline is highly flammable and gasoline vapor is explosive. Never smoke while working on vehicle. Keep all open flames away from gasoline tank and lines. Wipe up any spilled gasoline immediately.

Be careful when using gasoline. Do not use gasoline to clean parts. Store only in approved containers away from sources of heat or flame.

CELL PHONES

A driver's first responsibility is the safe operation of the vehicle. The most important thing you can do to prevent a crash is to avoid distractions and pay attention to the road. Wait until it is safe to operate mobile communication equipment such as cell phones, text messaging devices, pagers, or two-way radios.

VENTILATION

⚠ WARNING

Vehicle exhaust contains lethal fumes. Breathing these fumes, even in low concentrations, can cause death. Never operate a vehicle in an enclosed area without venting exhaust to the outside.

NOISE

Airborne noise emission during use is below 70 dB(A) for the snowplow operator.






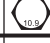


VIBRATION

Operating snowplow vibration does not exceed 2.5 m/s² to the hand-arm or 0.5 m/s² to the whole body.

TORQUE CHART

⚠ CAUTION

Read instructions before assembling. Fasteners should be finger tight until instructed to tighten according to the torque chart. Use standard methods and practices when attaching snowplow, including proper personal protective safety equipment.

Recommended Fastener Torque Chart					
Inch Fasteners Grade 5 and Grade 8					
Size	Torque (ft-lb)		Size	Torque (ft-lb)	
	 Grade 5	 Grade 8		 Grade 5	 Grade 8
1/4-20	8.4	11.9	9/16-12	109	154
1/4-28	9.7	13.7	9/16-18	121	171
5/16-18	17.4	24.6	5/8-11	150	212
5/16-24	19.2	27.3	5/8-18	170	240
3/8-16	30.8	43.6	3/4-10	269	376
3/8-24	35.0	49.4	3/4-16	297	420
7/16-14	49.4	69.8	7/8-9	429	606
7/16-20	55.2	77.9	7/8-14	474	669
1/2-13	75.3	106.4	1-8	644	909
1/2-20	85.0	120.0	1-12	704	995
Metric Fasteners Class 8.8 and 10.9					
Size	Torque (ft-lb)		Size	Torque (ft-lb)	
	 Class 8.8	 Class 10.9		 Class 8.8	 Class 10.9
M6 x 1.00	7.7	11.1	M20 x 2.50	325	450
M8 x 1.25	19.5	26.9	M22 x 2.50	428	613
M10 x 1.50	38.5	53.3	M24 x 3.00	562	778
M12 x 1.75	67	93	M27 x 3.00	796	1139
M14 x 2.00	107	148	M30 x 3.50	1117	1545
M16 x 2.00	167	231	M33 x 3.50	1468	2101
M18 x 2.50	222	318	M36 x 4.00	1952	2701
These torque values apply to fasteners except those noted in the instructions.					

INSTALLATION INSTRUCTIONS

NOTE: For easier assembly and installation, vehicle and all snowplow components should be on a smooth, level, hard surface, such as concrete.

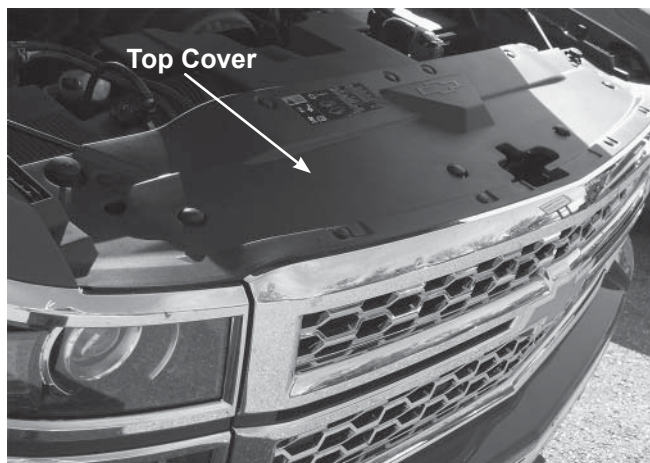
Bumper Removal Instructions

On 2013 and older truck models only:

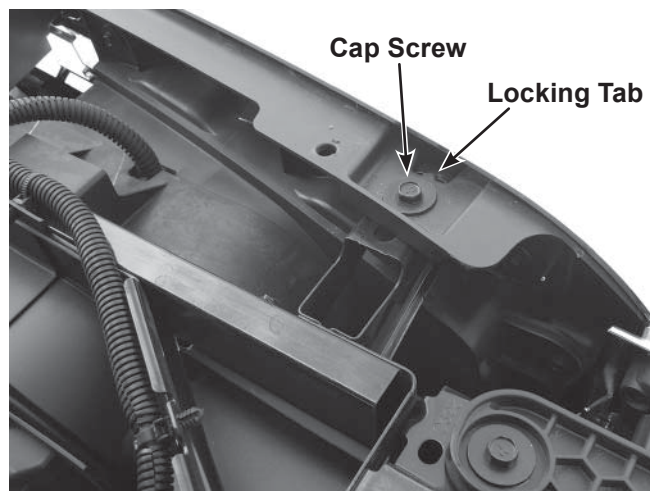
1. Remove the air dam from the lower plastic portion of the bumper. Retain air dam and fasteners for future use if mount kit is removed.
2. Remove the lower plastic portion of the bumper from the vehicle. Retain fasteners.
3. Continue to Mount Installation Instructions on page 6.

On 2014 and newer truck models only:

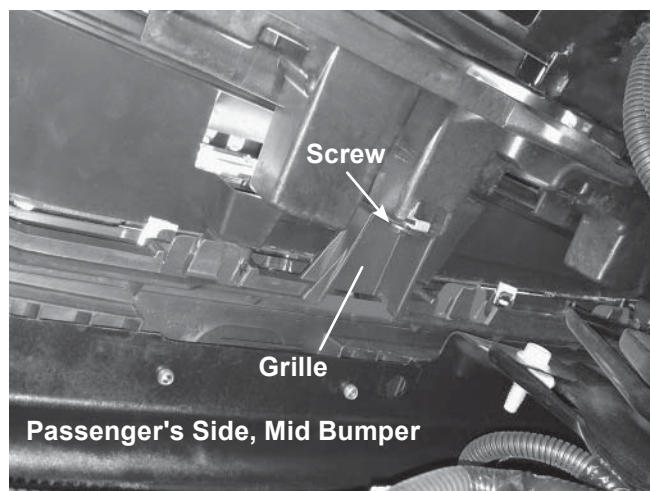
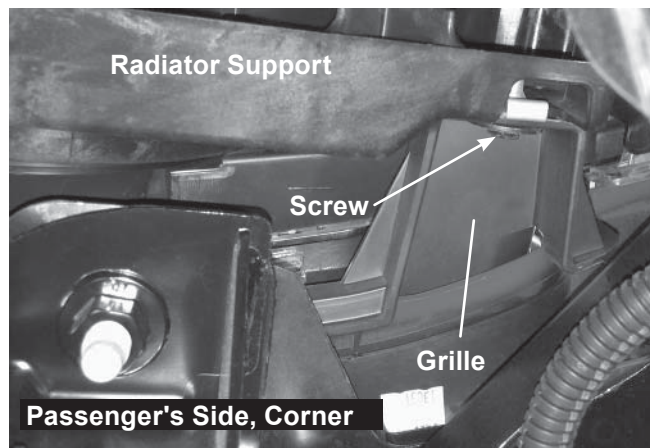
1. Remove plastic top cover from the front of the engine compartment.



2. Remove the four cap screws and release the locking tabs located along the top of the grille.



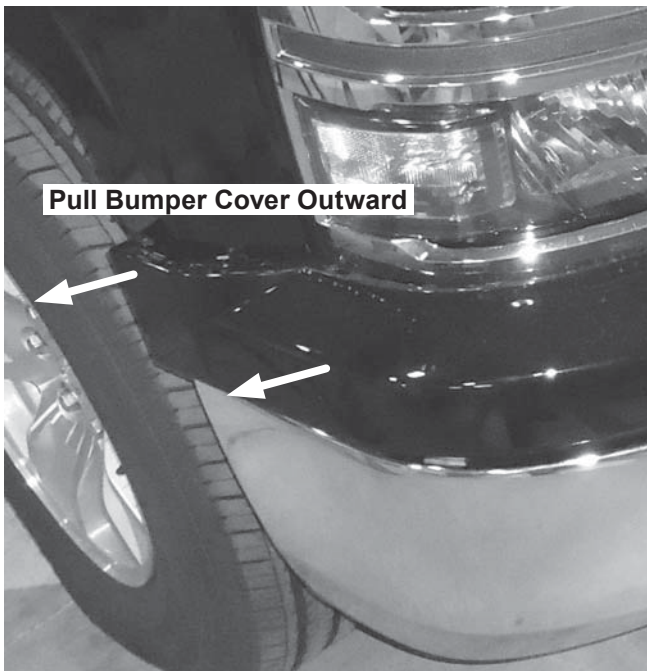
3. Remove the four screws attaching the grille to the radiator support.



- Remove the two bumper cover screws located on the inside of each front wheel well. If the vehicle is equipped with fender trim, it will need to be displaced in order to access the screws.



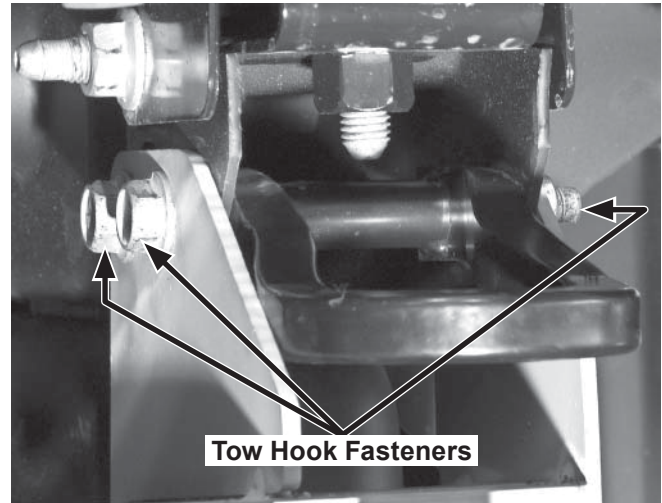
- Release the hidden locking tabs on each side of the vehicle and pull the bumper cover outward.



- Pull the bumper cover assembly forward to disengage grille tabs and remove the grille.
- Remove the four main bumper fasteners and the single fastener securing the bumper ends to the outer bumper supports. Remove the bumper.

Mount Installation Instructions

- Remove the splash shield. Retain fasteners.
- On the passenger's side of the vehicle, remove the tow hook fasteners and retain the shorter OEM bolt for reinstallation in the following step. Discard the longer OEM bolt and use the supplied 1/2" x 5" cap screw.

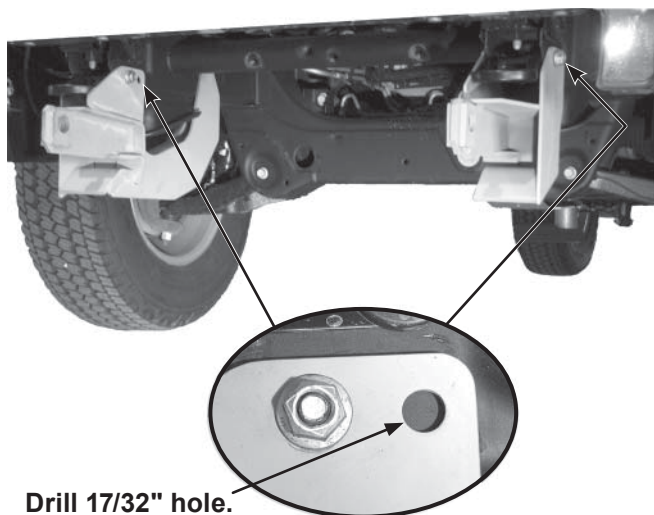


- Attach the passenger-side pushplate and tow hook to the truck frame using both the original tow hook fastener (one short bolt), and supplied 1/2" x 5" cap screw. Hand tighten.
- Push the passenger-side pushplate tight up against the bottom of the frame, and clamp it into place.

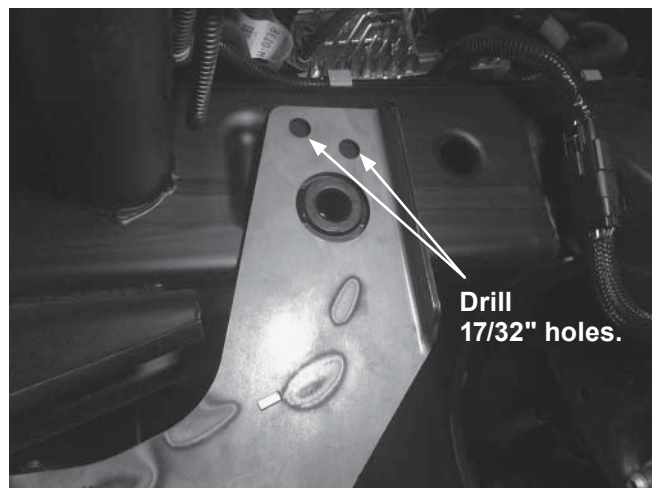
⚠ CAUTION

Use caution not to pinch, cut or drill through any wires or hoses running along the frame rail.

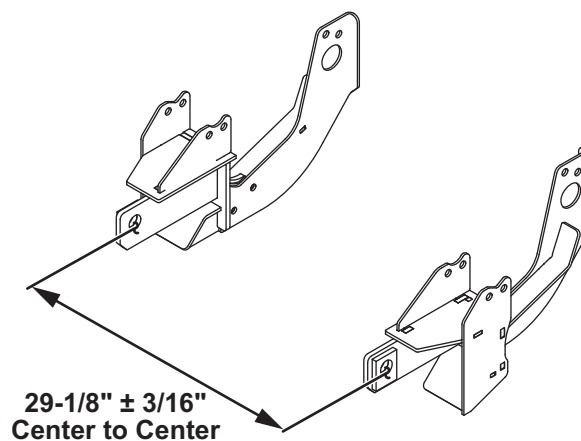
5. Using the front hole in the passenger-side pushplate as a guide, drill a $17/32$ " hole into the truck frame.



6. Using the rear holes in the passenger-side pushplate as a guide, drill two $17/32$ " holes into the truck frame.



7. Insert two $1/2$ " x $1-1/2$ " handled cap screws and $1/2$ " flat washers into the inside of the truck frame and out through the rear drilled holes. Attach a $1/2$ " locknut to each cap screw and hand tighten.
8. Completely remove the passenger-side tow hook. Retain fasteners for reinstallation in Step 10.
9. Insert one $1/2$ " x $1-1/4$ " cap screw or $1/2$ " x $1-1/2$ " handled cap screws and $1/2$ " flat washer into the front of the truck frame and out through the front drilled hole. Attach a $1/2$ " locknut, and hand tighten. Bend or trim handles after installation to avoid interference with vehicle components.
10. Reinstall the passenger-side tow hook using the fasteners described in Step 3, and hand tighten. Remove the clamp from the pushplate.
11. Repeat Steps 4–10 on the driver's side of the vehicle.
12. Make sure that the pushplates are tight up against the truck frame, then fully tighten the fasteners securing the pushplates and tow hooks to the frame rails according to the torque chart.
13. Check for a connecting arm distance of $29-1/8" \pm 3/16"$. If the connecting arm distance is not within $29-1/8" \pm 3/16"$, then $1/2$ " flat washers may be used to shim one or both pushplates in the appropriate direction to obtain the desired dimension. Tighten all fasteners according to the torque chart after achieving the appropriate dimensions.

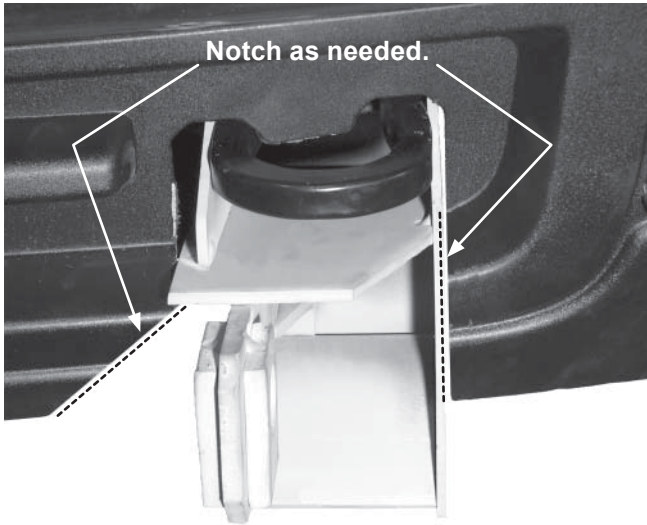


14. Reattach the splash shield using the original fasteners.

Bumper Notch Instructions

On 2013 and older truck models only:

1. If the lower plastic portion of the bumper does not clear the pushplates, notch as needed.



2. Reattach the lower plastic portion of the bumper using the original fasteners.

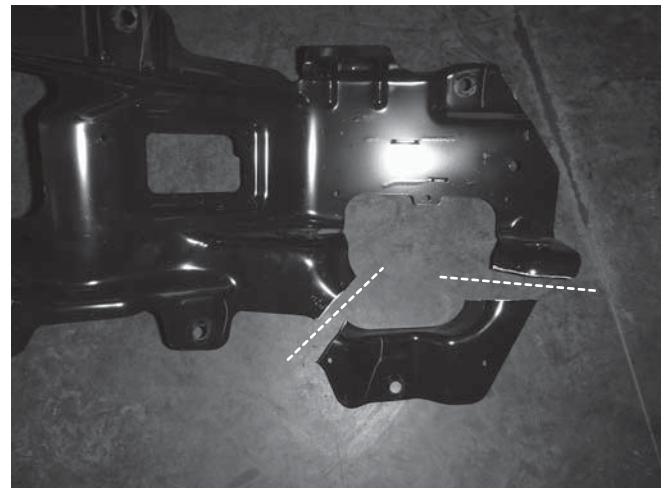
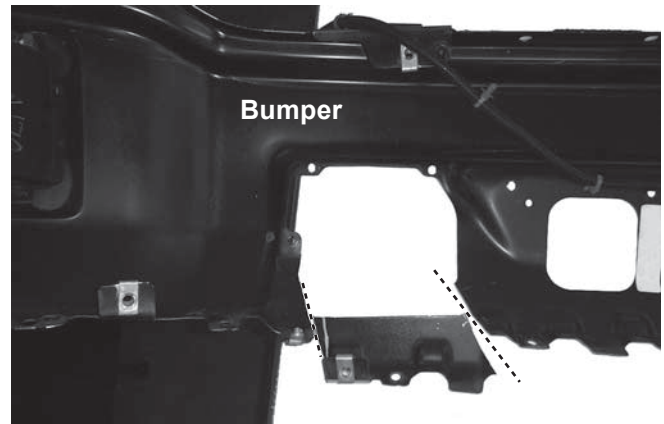
NOTE: After five to ten hours of snowplow usage, retorque all mount assembly fasteners.

On 2014 and newer truck models only:

1. Remove the bumper brackets and bumper filler from the main bumper assembly. Depending on your vehicle make, notch each side of the bumper, bumper bracket, and bumper filler according to the cut lines.

All depictions are of driver-side bumper parts, except where noted.

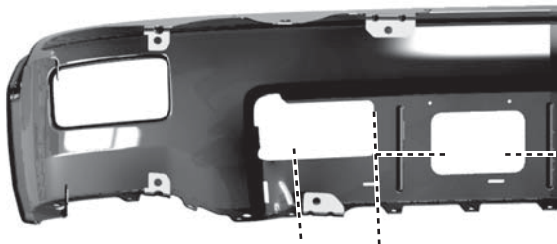
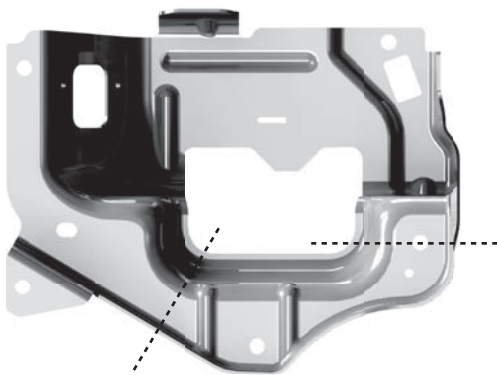
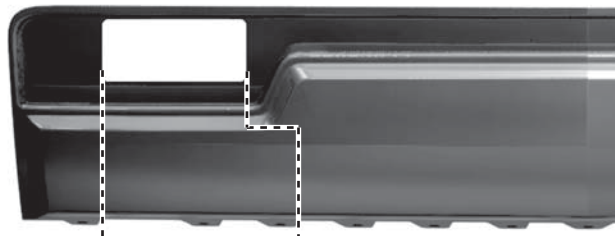
GMC Vehicles:



Bumper Filler



Passenger's Side

Chevy Vehicles:**Bumper****Bumper Bracket****Bumper Filler****Passenger's Side**

2. Reassemble and reinstall the bumper using the original fasteners.
3. The midsection of Chevy bumper fillers will need to either be secured rearward using the supplied cable ties or trimmed to clear the snowplow lower gear.
4. See the final result.



NOTE: After five to ten hours of snowplow usage, retorque all pushplate assembly fasteners.



Fisher Engineering
50 Gordon Drive
Rockland, ME 04841-2139
www.fisherplows.com

A DIVISION OF FISHER, LLC

Fisher Engineering reserves the right under its product improvement policy to change construction or design details and furnish equipment when so altered without reference to illustrations or specifications used. Fisher Engineering or the vehicle manufacturer may require or recommend optional equipment for snow removal. Do not exceed vehicle ratings with a snowplow. Fisher Engineering offers a limited warranty for all snowplows and accessories. See separately printed page for this important information. The following are registered (®) or unregistered (™) trademarks of Douglas Dynamics, LLC: FISHER®, Minute Mount® 2, XLS™.

Printed in U.S.A.