



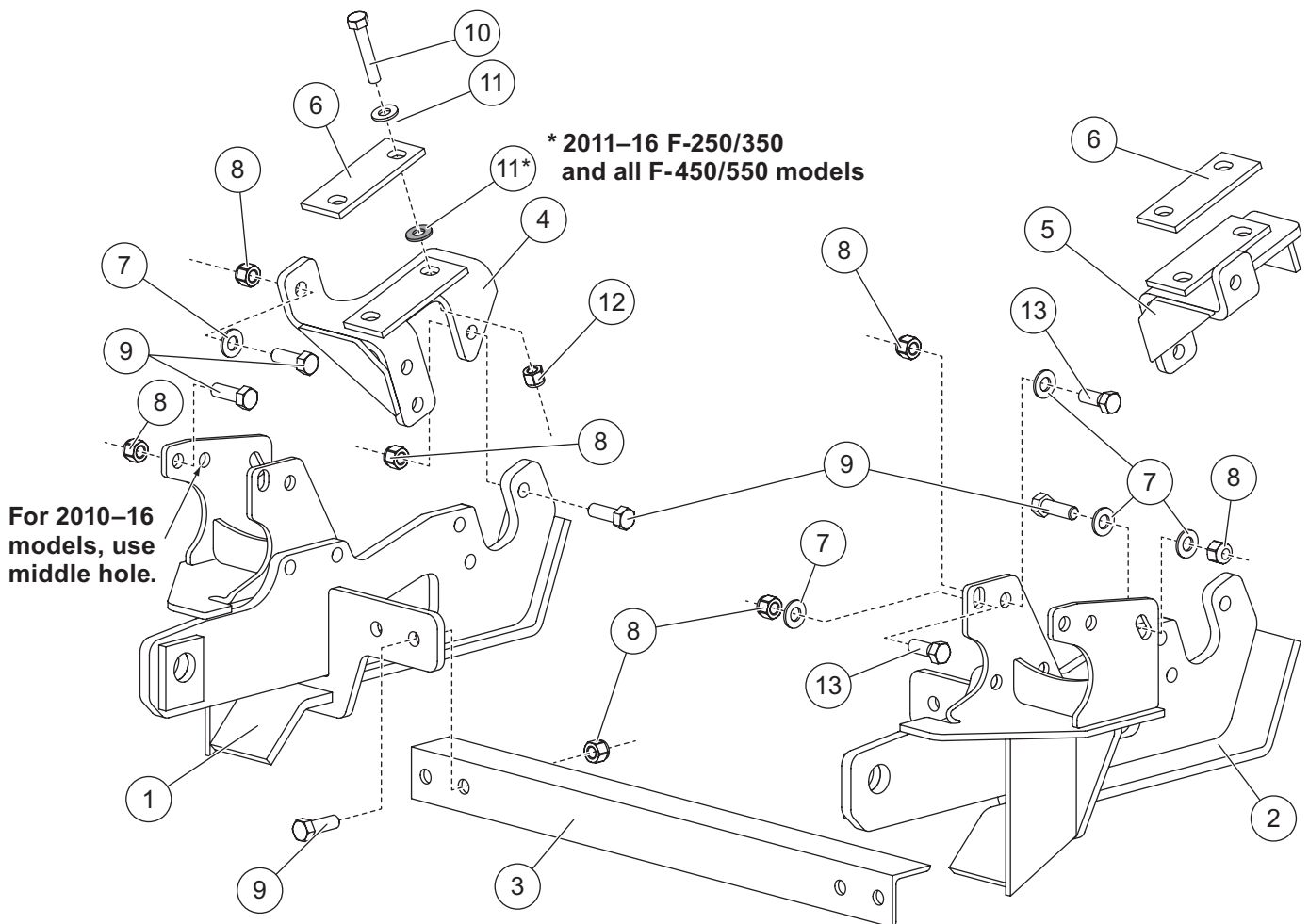
# Minute<sup>2</sup> SYSTEM

## MOUNT KIT

Ford Super Duty F-250/350/450/550

2008 - 16

### Parts List



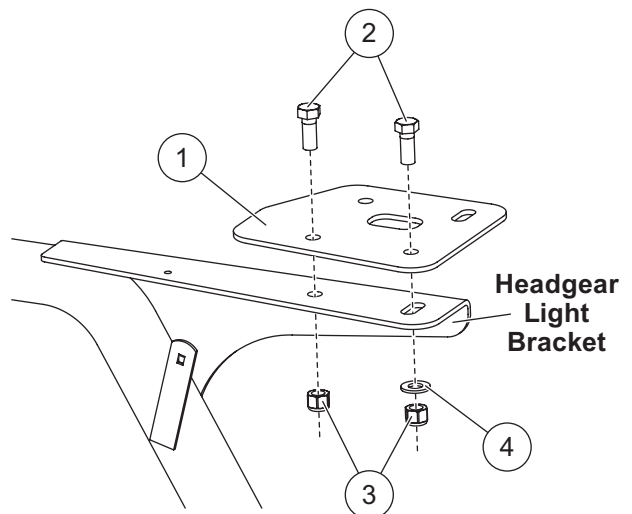
# 7183-1

7183-1 Mount Kit							
Item	Part	Qty	Description	Item	Part	Qty	Description
1	42146	1	Mount – PS	5	68194	1	Rear Bracket – DS
2	42145	1	Mount – DS	6	68206	2	Spacer
3	67696	1	Cross Bar	ns	68176	1	Bolt Bag – 7183-1
4	68192	1	Rear Bracket – PS				
68176 Bolt Bag – 7183-1							
7		11	1/2 Hardened Flat Washer	11*		8	7/16 Hardened Flat Washer
8		20	1/2-13 Hex Locknut GB	12		4	7/16-20 Hex Locknut G8
9		18	1/2-13 x 1-1/2 Hex Cap Screw G5	13		2	1/2-13 x 1-1/4 Hex Cap Screw G5
10		4	7/16-20 x 2-1/2 Hex Cap Screw G8	ns		1	Cable Tie, Extra Heavy Duty
ns = not shown				G = Grade			

\* 2008–10 model year F-250/350 installations require only four washers; 2011–16 model year F-250/350 installations and all F-450/550 installations require eight washers.

29596 Headlamp Extension Bracket Kit†			
Item	Part	Qty	Description
1		2	Headlamp Extension Bracket
2		4	1/2-13 x 1-1/4 Hex Cap Screw G5
3		4	1/2-13 Hex Locknut GB
4		2	1/2 Hardened Flat Washer
ns = not shown			

† Required for 2008–10 model year vehicle applications only. If the Headlamp Extension Bracket Kit is not included with this Mount Kit, it will need to be ordered separately.



Copyright © 2017 Douglas Dynamics, LLC. All rights reserved. This material may not be reproduced or copied, in whole or in part, in any printed, mechanical, electronic, film or other distribution and storage media, without the written consent of Fisher Engineering. Authorization to photocopy items for internal or personal use by Fisher Engineering outlets or snowplow owner is granted.

Fisher Engineering reserves the right under its product improvement policy to change construction or design details and furnish equipment when so altered without reference to illustrations or specifications used. Fisher Engineering or the vehicle manufacturer may require or recommend optional equipment for snow removal. Do not exceed vehicle ratings with a snowplow. Fisher Engineering offers a limited warranty for all snowplows and accessories. See separately printed page for this important information. The following are registered (®) trademarks of Douglas Dynamics, LLC: FISHER®, Minute Mount® 2.

Printed in U.S.A.