



XLS™ Snowplow Label Replacement Kit

PARTS LIST

Description	Label
FISHER® Splatter	20238
STORM GUARD™ Label	26211 for painted blades only
Warning/Caution Label	59900
Attach/Detach	27451
Identity Label	29535
XLS Wing Label	29639 (2)
Multiple Pinch Point Label	29593 (4)

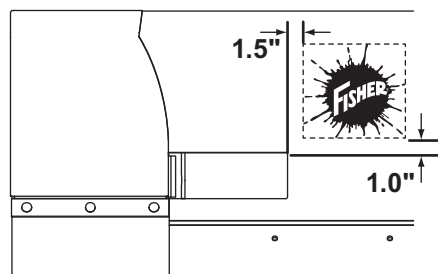
INSTALLATION INSTRUCTIONS

Select the above labels from the kit.

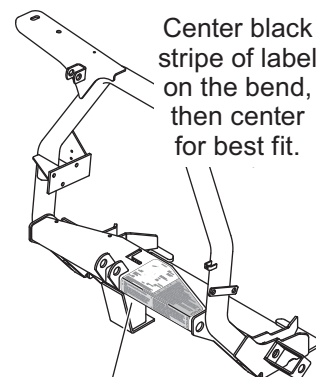
FISHER Splatter – 20238

Place on the PASSENGER'S SIDE.

XLS Blade



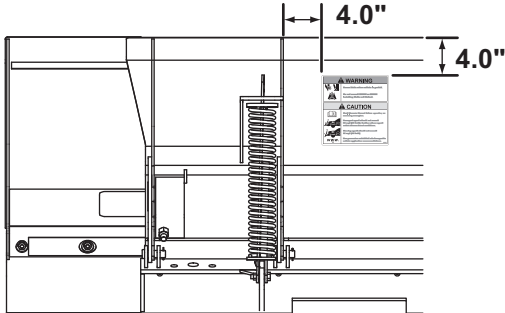
Attach/Detach Label – 27451



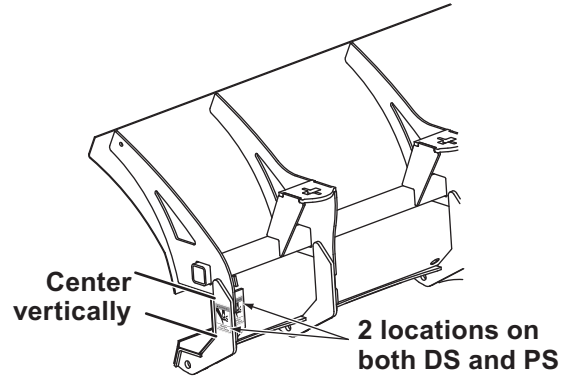
Attach/Detach Label

Warning/Caution Label – 59900

Place on the DRIVER'S SIDE.

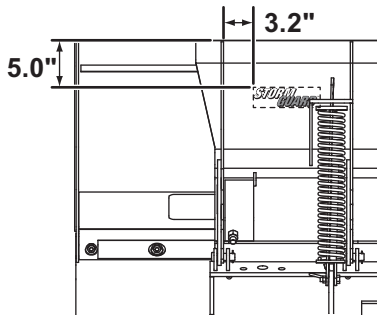


**Multiple Pinch Points Label – 29593
(apply to both sides)**



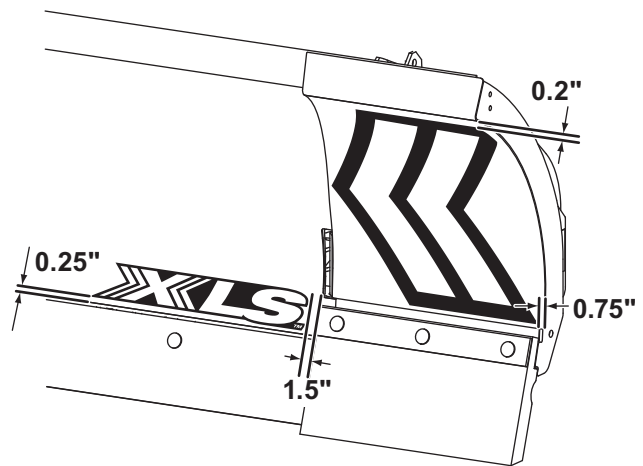
**STORM GUARD™ Label – 26211
(Painted Blades Only)**

Place on the DRIVER'S SIDE.



**XLS™ Moldboard – 29535
XLS Wings – 29639**

Place on the DRIVER'S SIDE
(Wing labels are applied to both sides.)



Copyright © 2013 Douglas Dynamics, LLC. All rights reserved. This material may not be reproduced or copied, in whole or in part, in any printed, mechanical, electronic, film or other distribution and storage media, without the written consent of Fisher Engineering. Authorization to photocopy items for internal or personal use by Fisher Engineering outlets or snowplow owner is granted.

Fisher Engineering reserves the right under its product improvement policy to change construction or design details and furnish equipment when so altered without reference to illustrations or specifications used. Fisher Engineering or the vehicle manufacturer may require or recommend optional equipment for snow removal. Do not exceed vehicle ratings with a snowplow. Fisher Engineering offers a limited warranty for all snowplows and accessories. See separately printed page for this important information. The following are registered (®) or unregistered (™) trademarks of Douglas Dynamics, LLC: FISHER®, STORM GUARD™, XLS™.

Printed in U.S.A.