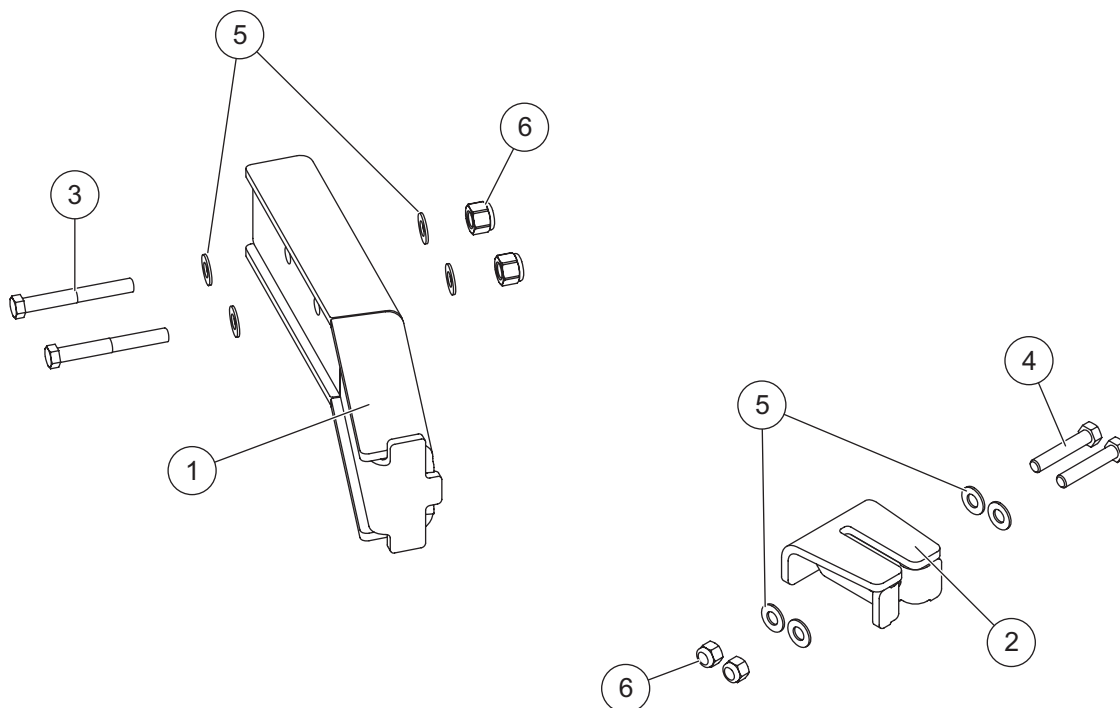


# Blade Stop Kit

## PARTS LIST



43082 Blade Stop Kit							
Item	Part	Qty	Description	Item	Part	Qty	Description
1	43282	2	Outrigger	ns	43640	1	Bolt Bag
2	43171	2	On-Blade Bracket				
43640 Bolt Bag							
3		4	3/8-16 x 3 Hex Cap Screw G5	5		16	3/8 Flat Washer
4		4	3/8-16 x 1-1/2 Hex Cap Screw G5	6		8	3/8-16 Hex Locknut GB
ns = not shown				G = Grade			

### ⚠ WARNING

Do not exceed GVWR or GAWR, including blade and ballast. The rating label is found on the driver-side vehicle door cornerpost.

### ⚠ CAUTION

Use standard methods and practices when attaching snowplow and installing accessories, including proper personal protective safety equipment.

### ⚠ CAUTION

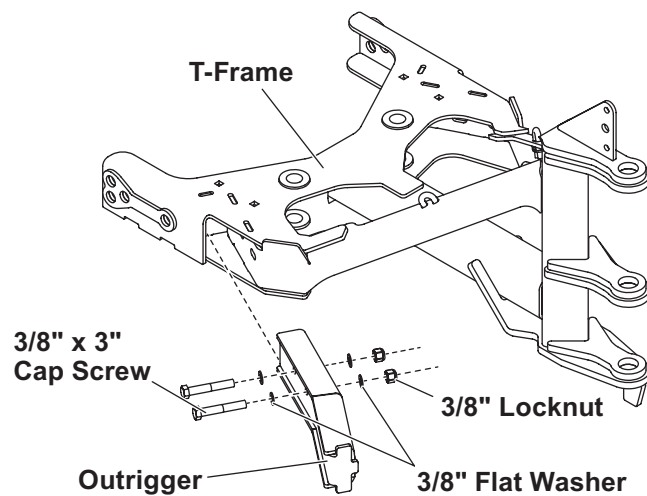
Read this document before installing the Blade Stop Kit.

## INSTALLATION INSTRUCTIONS

Park the vehicle on a smooth, level, hard surface, such as concrete. Lower the blade to the ground, and turn the control OFF. Disconnect the snowplow from the vehicle, or turn the vehicle ignition to the "OFF" position and remove the key.

### Outrigger to T-Frame

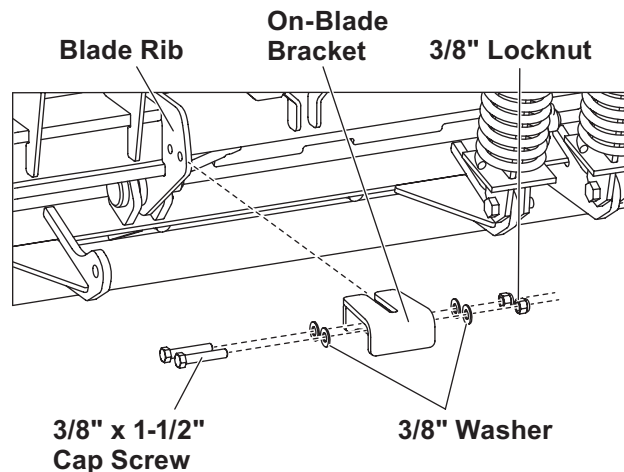
1. Slide one outrigger into the T-frame as shown below.



2. Insert two 3/8" x 3" cap screws with washers through the holes in the outrigger and T-frame.
3. Add a second washer and a 3/8" locknut on each cap screw. Tighten the fasteners to 31 ft-lb.
4. Repeat on the other side.

### On-Blade Bracket to Blade

1. Align one of the on-blade brackets with the holes in the blade rib, as shown.
2. Insert two 3/8" x 1-1/2" cap screws with washers through the slots in the on-blade bracket and the holes in the blade rib.



3. Add a second washer and a 3/8" locknut on each fastener to secure the bracket in place. Tighten the fasteners to 31 ft-lb.
4. Repeat on the other side.

Copyright © 2013 Douglas Dynamics, LLC. All rights reserved. This material may not be reproduced or copied, in whole or in part, in any printed, mechanical, electronic, film or other distribution and storage media, without the written consent of the company. Authorization to photocopy items for internal or personal use by the company's outlets or snowplow owner is granted.

The company reserves the right under its product improvement policy to change construction or design details and furnish equipment when so altered without reference to illustrations or specifications used. This equipment manufacturer or the vehicle manufacturer may require or recommend optional equipment for snow removal. Do not exceed vehicle ratings with a snowplow. The company offers a limited warranty for all snowplows and accessories. See separately printed page for this important information.