



Fisher Engineering

83190, 83195, 83200

50 Gordon Drive, Rockland, Maine 04841-2139 • www.fisherplows.com

March 1, 2020

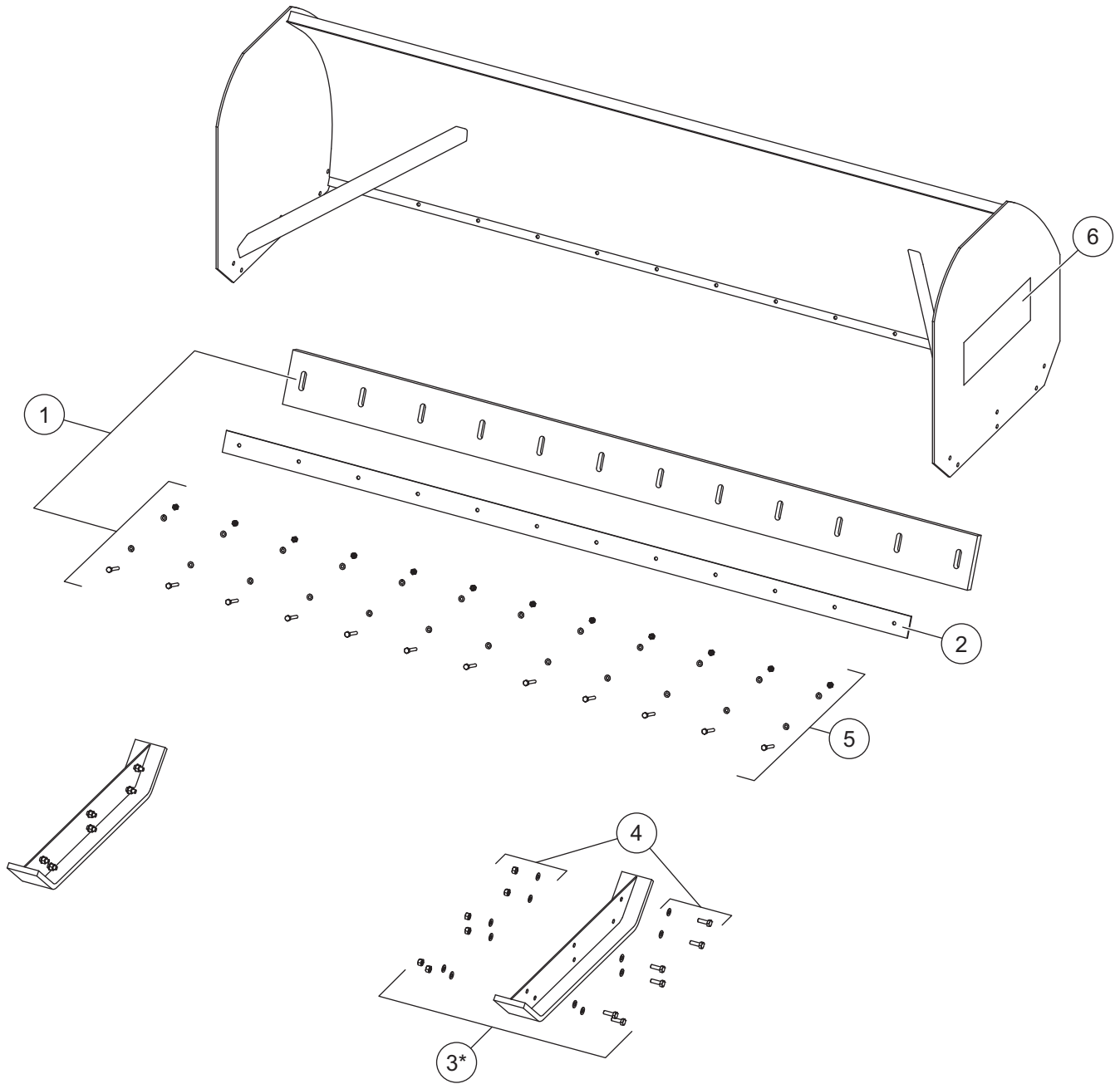
Lit. No. 43696, Rev. 02

**STORM
BOXX™**



STORM BOXX™ Snowplow
Box Plow for Wheeled Loaders
Parts List

Blade Components



83190/83195/83200 Blade Components							
Item	Part	Qty	Description	Item	Part	Qty	Description
1	72057	1	12' Rubber Cutting Edge Kit (incl. item 5)	ns	72041	1	Binder Kit
	72058	1	14' Rubber Cutting Edge Kit (incl. item 5)	ns	83191 [†]	1	Label – Logo, STORM BOXX, 12' Blade Front
	72059	1	16' Rubber Cutting Edge Kit (incl. item 5)	ns	83196 [†]	1	Label – Logo, STORM BOXX, 14' Blade Front
2	72067	1	12' Bolting Bar	ns	83201 [†]	1	Label – Logo, STORM BOXX, 16' Blade Front
	72068	1	14' Bolting Bar	ns	72048 ^{*†}	2	Wear Shoe Kit – Super Duty (incl. item 4)
	72071	1	16' Bolting Bar	ns	72051 ^{*†}	2	Wear Shoe Kit – Self Leveling, Standard (incl. item 4)
3	72046*	2	Wear Shoe Kit – Standard (incl. item 4)	ns	72053 ^{*†}	2	Wear Shoe Kit – Self Leveling, Super Duty (incl. item 4)
4	72044	2	Wear Shoe Hardware Kit	ns	72069 [†]	1	Level Gauge
5	72064	1	Cutting Edge Hardware Kit				
6	83171	2	Label – Logo, STORM BOXX™				
Item 4 72063 Wear Shoe Hardware Kit							
		6	5/8-11 x 2 Hex Cap Screw G5			12	5/8 Flat Washer
		6	5/8-11 Hex Locknut GB				
Item 5 72064 Cutting Edge Hardware Kit							
		16 [‡]	1/2-13 x 3-1/2 Hex Cap Screw G5			32 [‡]	1/2 Flat Washer
		16 [‡]	1/2-13 Hex Locknut GB				
72041 Binder Kit							
ns		2	3/8 x 120 P70 Transport Chain	ns		1	3/8 Heavy Duty Ratchet Binder
ns		2	5/16 Grab Hook	ns		2	3/8 Clevis Attachments
ns = not shown				G = Grade			

* Single shoe per kit.

[†] Accessory only.

[‡] Not all fasteners used for all blade sizes.

Copyright © 2020 Douglas Dynamics, LLC. All rights reserved. This material may not be reproduced or copied, in whole or in part, in any printed, mechanical, electronic, film, or other distribution and storage media, without the written consent of Fisher Engineering. Authorization to photocopy items for internal or personal use by Fisher Engineering outlets or snowplow owner is granted.

Fisher Engineering reserves the right under its product improvement policy to change construction or design details and furnish equipment when so altered without reference to illustrations or specifications used. Fisher Engineering or the vehicle manufacturer may require or recommend optional equipment for snow removal. Do not exceed vehicle ratings with a snowplow. Fisher Engineering offers a limited warranty for all snowplows and accessories. See separately printed page for this important information. The following are registered (®) or unregistered (™) trademarks of Douglas Dynamics, LLC: FISHER®, STORM BOXX™.

Printed in U.S.A.
