



**Fisher Engineering**

**80152**

50 Gordon Drive, Rockland, Maine 04841-2139 • www.fisherplows.com

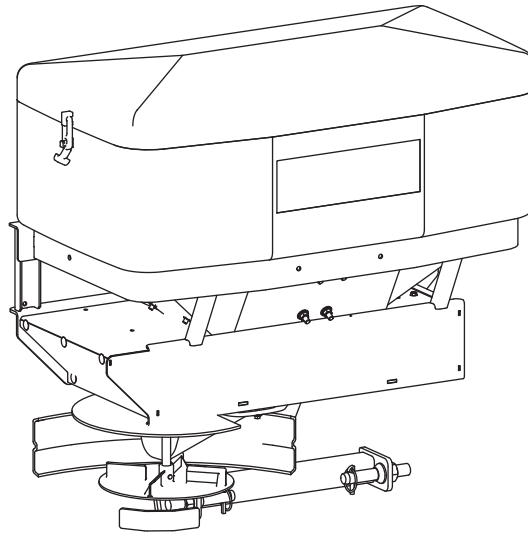
January 15, 2019  
Lit. No. 43774, Rev. 02

# **SPEED-CASTER™ 525**

## **Hopper and Drive Components**

### **SPEED-CASTER™ 525 Low-Profile Tailgate Spreader**

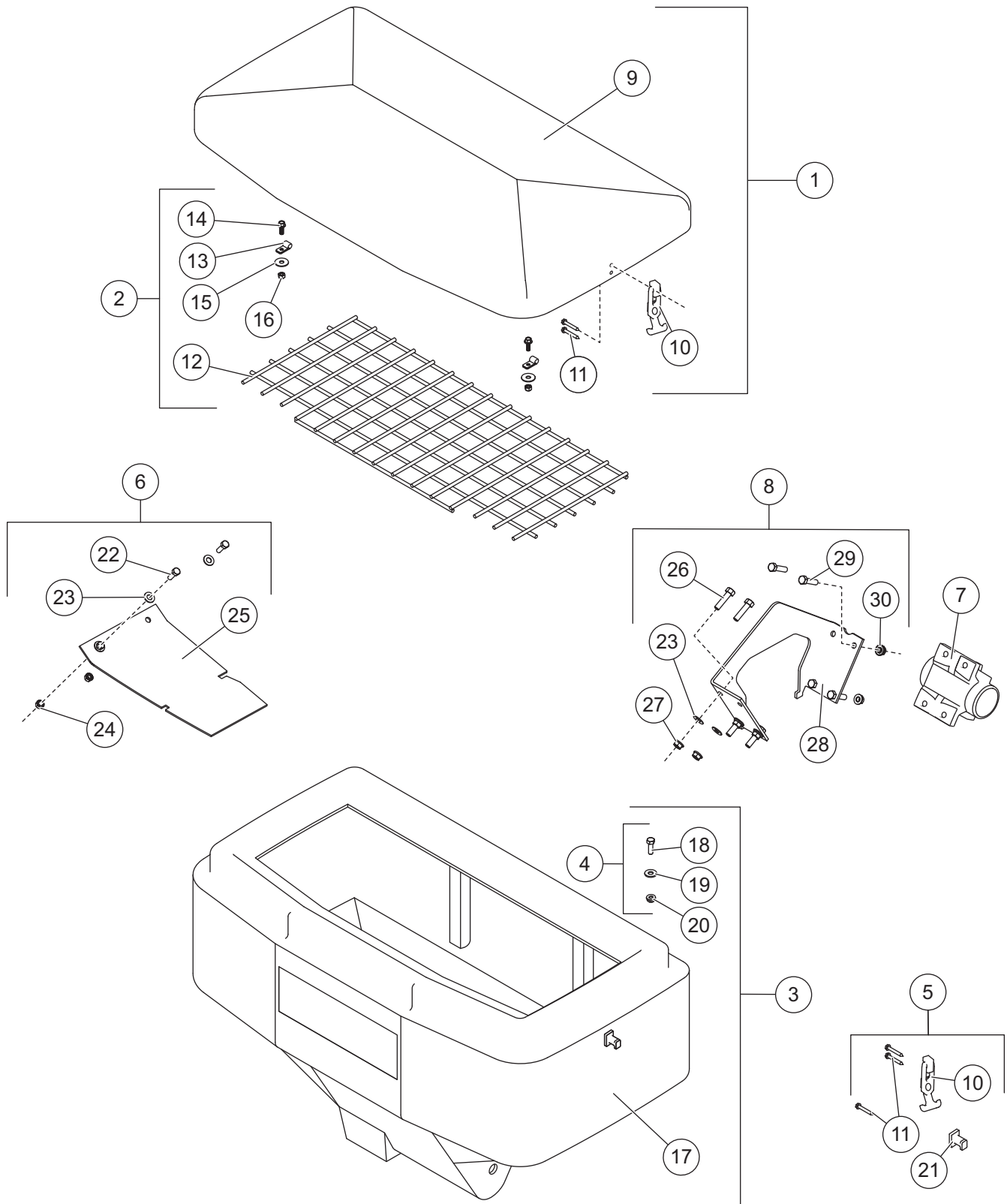
#### **Parts List**



This Parts List is for FISHER® SPEED-CASTER 525 Low-Profile Tailgate Spreaders with serial numbers beginning with 150601 through 160729.

# SPEED-CASTER™ 525 LOW-PROFILE TAILGATE SPREADER

## HOPPER, VIBRATOR & BAFFLE



# SPEED-CASTER™ 525 LOW-PROFILE TAILGATE SPREADER

<b>Hopper, Vibrator &amp; Baffle</b>							
<b>Item</b>	<b>Part</b>	<b>Qty</b>	<b>Description</b>	<b>Item</b>	<b>Part</b>	<b>Qty</b>	<b>Description</b>
1	75630	1	Lid Kit	5	75612	1	Hopper Strap Kit
2	75655	1	Top Screen Kit 30 x 14	6	75657	1	Baffle Kit
3	75907	1	Hopper Kit SPEED-CASTER 525*	7	75673	1	Vibrator, DC-80
4	75659	1	Hopper Hardware Kit	8	75658	1	Vibrator Mount Kit
<b>Item 1</b>				<b>75630 Lid Kit</b>			
9		1	Lid Assembly	11		4	#10 x 3/4 Hex Washer-Head Tapping Screw SS
10		2	Flexible Draw Latch				
<b>Item 2</b>				<b>75655 Top Screen Kit 30 x 14</b>			
12		1	Top Screen 30 x 14	15		2	1/4 x 1 Washer
13		2	5/16 Clamp	16		2	1/4 Hex Locknut SS
14		2	1/4-20 x 3/4 Hex Cap Screw Serrated Flange SS				
<b>Item 3</b>				<b>75907 Hopper Kit SPEED-CASTER 525*</b>			
4	75659	1	Hopper Hardware Kit	17		1	Hopper 5.25 ft <sup>3</sup> – Yellow
<b>Item 4</b>				<b>75659 Hopper Hardware Kit</b>			
18		4	5/16-18 x 1 Hex Cap Screw	20		4	5/16-18 Serrated Flange Nut
19		4	5/16 Flat Washer				
<b>Item 5</b>				<b>75612 Hopper Strap Kit</b>			
10		2	Flexible Draw Latch	21		2	Latch Keeper
11		6	#10 x 3/4 Hex Washer-Head Tapping Screw SS				
<b>Item 6</b>				<b>75657 Baffle Kit</b>			
22		2	5/16-18 x 1-1/4 Hex Cap Screw SS	24		2	5/16-18 Hex Locknut SS
23		2	3/8 Flat Washer SS	25		1	Material Baffle
<b>Item 8</b>				<b>75658 Vibrator Mount Kit</b>			
23		4	3/8 Flat Washer SS	28		1	Vibrator Mount Bracket
26		4	3/8-16 x 1 Hex Cap Screw SS	29		4	3/8-16 x 1-1/2 Hex Cap Screw
27		4	3/8-16 Serrated Flange Nut	30		4	3/8-16 Hex Locknut
SS = Stainless Steel							

\* Hopper ships with two latch keepers installed.

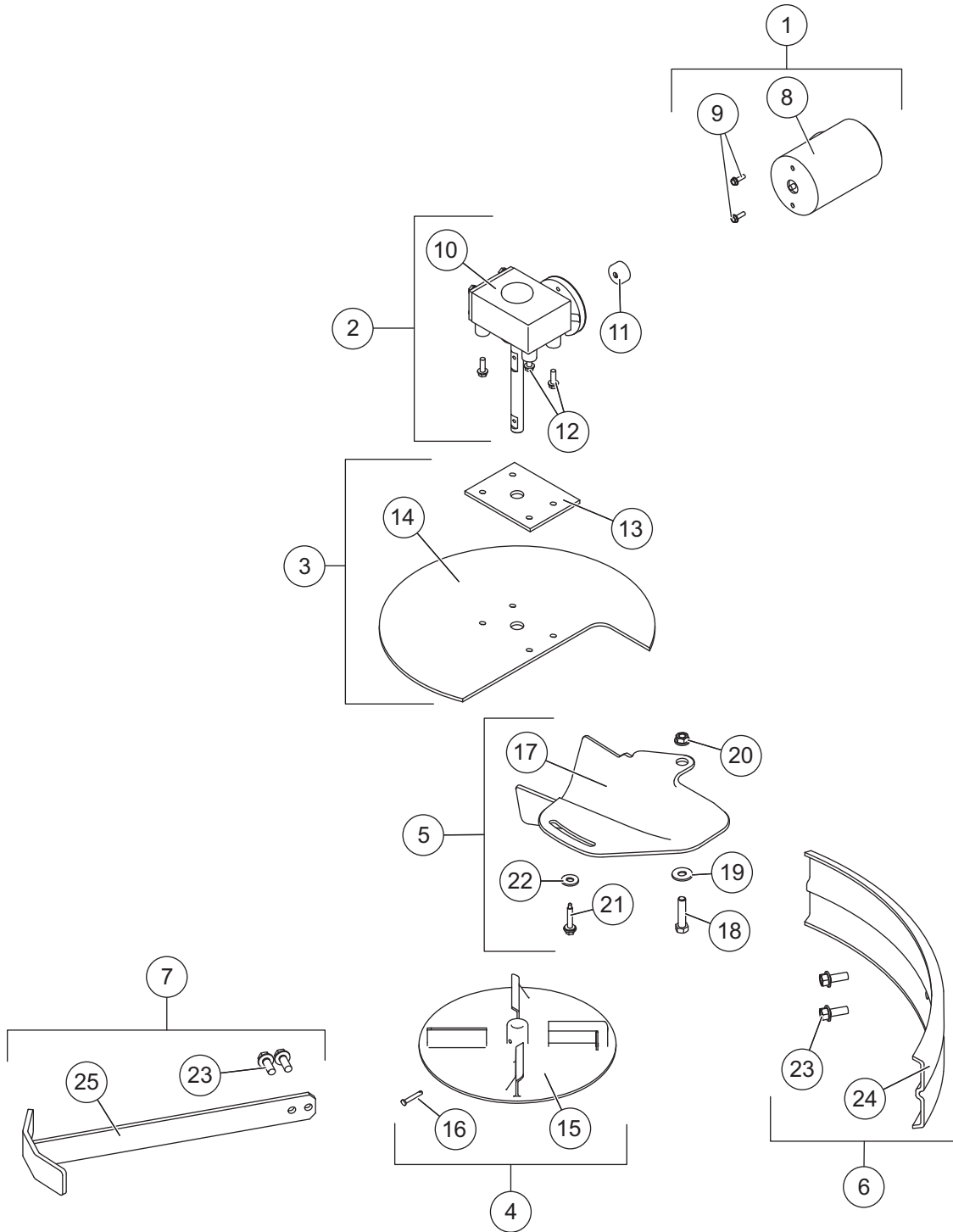


# SPEED-CASTER™ 525 LOW-PROFILE TAILGATE SPREADER

Frame, Auger & Hitch							
Item	Part	Qty	Description	Item	Part	Qty	Description
1	75903	1	Frame Kit	8	75654	1	Hitch Kit
2	75667	1	Auger Drive Cover Kit	9	75666	1	Lift Arm Pin Kit
3	75558	1	Spinner Drive Cover Kit	10	43903	1	Label – Identity, SPEED-CASTER 525
4	75661	1	Auger Kit	11	75621	1	Label – Warning, Hands and Feet
5	75660	1	Bearing Kit	12	75669	1	Label – Warning, Rotating Auger
6	75901	1	Motor Kit	13	75623	1	Label – Warning, Read Manual
7	75670	1	Auger Transmission Kit				
<b>Item 1</b>				<b>75903 Frame Kit</b>			
10	43903	1	Label – Identity, SPEED-CASTER 525	13	75623	1	Label – Warning, Read Manual
11	75621	1	Label – Warning, Hands and Feet	14		1	Main Frame
12	75669	1	Label – Warning, Rotating Auger				
<b>Item 2</b>				<b>75667 Auger Drive Cover Kit</b>			
15		1	Drive Cover	16	79334	6	1/4 x 3/4 x 1/2 Push Retainer Nylon
<b>Item 3</b>				<b>75558 Spinner Drive Cover Kit</b>			
16	79334	6	1/4 x 3/4 x 1/2 Push Retainer Nylon	17		1	Spinner Drive Cover
<b>Item 4</b>				<b>75661 Auger Kit</b>			
18		1	2-5/8 x 14 x 1-3/8 Auger	20		1	5/16-18 x 3/8 Socket Head Set Screw
19		1	5/8 Flat Washer Nylon				
<b>Item 5</b>				<b>75660 Bearing Kit</b>			
21	68662	1	5/8 Bearing 4-Bolt Flange	22		4	3/8-16 Serrated Flange Nut
<b>Item 6</b>				<b>75901 Motor Kit</b>			
23		1	Motor 12V DC, 3 x 3.8	24		2	#10-32 x 5/8 Hex Cap Screw Serrated Flange w/Patch
<b>Item 7</b>				<b>75670 Auger Transmission Kit</b>			
25		4	1/4-20 x 3/4 Hex Cap Screw Serrated Flange SS	26		1	Transmission 30:1 Worm Gear
				27	79332	1	Motor Drive Coupler
<b>Item 8</b>				<b>75654 Hitch Kit</b>			
28		1	Hitch	31		4	1/2-13 Serrated Flange Nut
29		4	1/2-13 x 1-1/2 Hex Cap Screw	32	75620	1	Hitch Pin
30		4	1/2 Split Lock Washer				
<b>Item 9</b>				<b>75666 Lift Arm Pin Kit</b>			
33		2	7/8 x 5-1/2 Lift Arm Pin	34		2	5/16 x 1-9/16 Linch Pin
SS = Stainless Steel							

# SPEED-CASTER™ 525 LOW-PROFILE TAILGATE SPREADER

## SPINNER ASSEMBLY & MATERIAL CHUTE

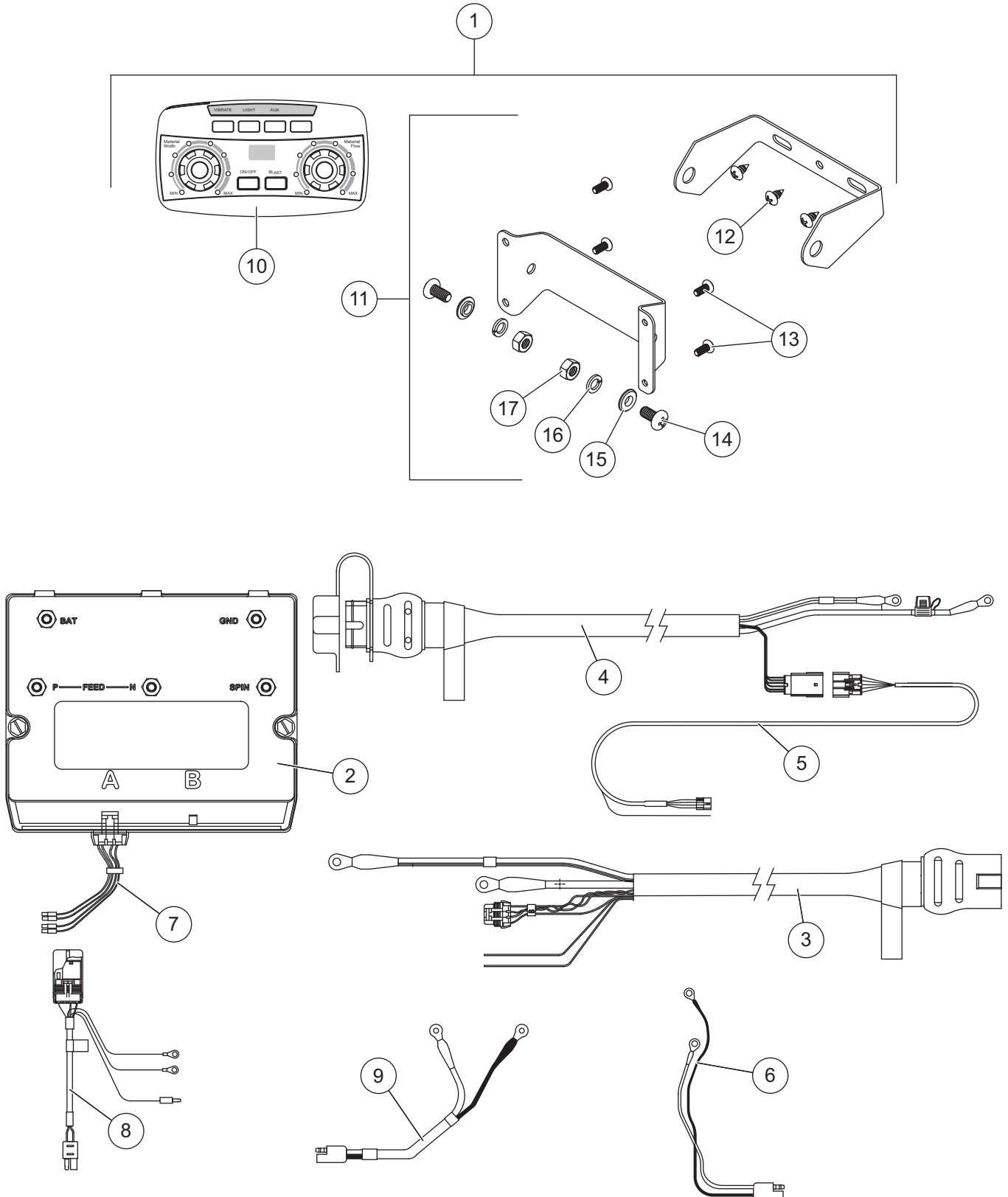


# SPEED-CASTER™ 525 LOW-PROFILE TAILGATE SPREADER

<b>Spinner Assembly &amp; Material Chute</b>							
<b>Item</b>	<b>Part</b>	<b>Qty</b>	<b>Description</b>	<b>Item</b>	<b>Part</b>	<b>Qty</b>	<b>Description</b>
1	75901	1	Motor Kit	5	75662	1	Material Chute Kit
2	75640	1	Spinner Transmission Kit	6	75665	1	Deflector Kit
3	75663	1	CE Guard Kit	7	75672	1	Protector Foot Kit
4	75618	1	Spinner Kit				
<b>Item 1</b>				<b>75901 Motor Kit</b>			
	8	1	Motor 12V DC, 3 x 3.8	9		2	#10-32 x 5/8 Hex Cap Screw Serrated Flange w/Patch
<b>Item 2</b>				<b>75640 Spinner Transmission Kit</b>			
	10	1	Transmission 8:1 Worm Gear	12		4	1/4-20 x 3/4 Hex Cap Screw Serrated Flange SS
	11	79332	1 Motor Drive Coupler				
<b>Item 3</b>				<b>75663 CE Guard Kit</b>			
	13	1	CE Guard Spacer	14		1	CE Guard
<b>Item 4</b>				<b>75618 Spinner Kit</b>			
	15	1	Spinner 10" Poly	16		1	3/16 x 1-1/4 Detent Clevis Pin
<b>Item 5</b>				<b>75662 Material Chute Kit</b>			
	17	1	Material Chute	20		1	1/2-13 Serrated Flange Nut
	18	1	1/2-13 x 1-1/2 Hex Cap Screw	21		1	1/4 x 1-1/2 Driller w/R-M Washer
	19	1	1/2 Flat Washer, Hardened	22		1	5/16 Flat Washer
<b>Item 6</b>				<b>75665 Deflector Kit</b>			
	23	2	3/8-16 x 1 Hex Cap Screw Serrated Flange Type F	24		1	Deflector
<b>Item 7</b>				<b>75672 Protector Foot Kit</b>			
	23	2	3/8-16 x 1 Hex Cap Screw Serrated Flange Type F	25		1	Spinner Protector Foot
SS = Stainless Steel							

# SPEED-CASTER™ 525 LOW-PROFILE TAILGATE SPREADER

## ELECTRICAL COMPONENTS





# SPEED-CASTER™ 525 LOW-PROFILE TAILGATE SPREADER

Electrical Components							
Item	Part	Qty	Description	Item	Part	Qty	Description
1	52440	1	Spreader Control Kit	6	78398	1	Spinner Motor Harness
2	52375	1	Spreader Module, 5-Post	7	69893	1	10-Pin Connector w/4 Wires
3	72092	1	Spreader Harness, 7-Pin*	8	78382	1	Vibrator Harness Assembly
4	72090	1	Vehicle Harness, 7-Pin*	9	78397	1	Auger Motor Harness
5	69902	1	Vehicle Control Harness				
<b>Item 1</b>				<b>52440 Spreader Control Kit</b>			
10	52442	1	Spreader Control	14		2	1/4-20 x 1/2 Pan Head Machine Screw SS – Black
11	52345	1	Control Bracket Kit	15		2	1/4 Shoulder Washer SS – Black
12		3	#10 x 3/8 Pan Head Tapping Screw SS	16		2	1/4 Lock Washer SS
13		4	#8 x 3/8 Pan Head Machine Screw	17		2	1/4-20 Hex Nut G5 – Black
SS = Stainless Steel				G = Grade			

\* For spreaders with 8-pin harnesses, order the 52348 harness kit (contains both spreader and vehicle harnesses).



Fisher Engineering  
50 Gordon Drive  
Rockland, ME 04841-2139  
[www.fisherplows.com](http://www.fisherplows.com)

**A DIVISION OF FISHER, LLC**

Copyright © 2019 Douglas Dynamics, LLC. All rights reserved. This material may not be reproduced or copied, in whole or in part, in any printed, mechanical, electronic, film, or other distribution and storage media, without the written consent of Fisher Engineering. Authorization to photocopy items for internal or personal use by Fisher Engineering outlets or spreader owner is granted.

Fisher Engineering reserves the right under its product improvement policy to change construction or design details and furnish equipment when so altered without reference to illustrations or specifications used. Fisher Engineering or the vehicle manufacturer may require or recommend optional equipment for spreaders. Do not exceed vehicle ratings with a spreader. Fisher Engineering offers a limited warranty for all spreaders and accessories. See separately printed page for this important information. The following are registered (®) or unregistered (™) trademarks of Douglas Dynamics, LLC: FISHER®, SPEED-CASTER™ 525.

**Printed in U.S.A.**