



Fisher Engineering

80190

50 Gordon Drive, Rockland, Maine 04841-2139 • www.fisherplows.com

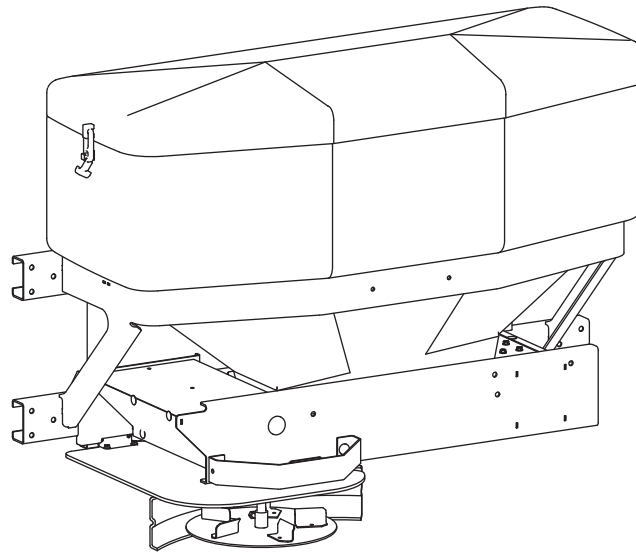
January 15, 2019
Lit. No. 43778, Rev. 03

SPEED»CASTER™ 900

Hopper and Drive Components

SPEED-CASTER™ 900 Low-Profile Tailgate Spreader

Parts List

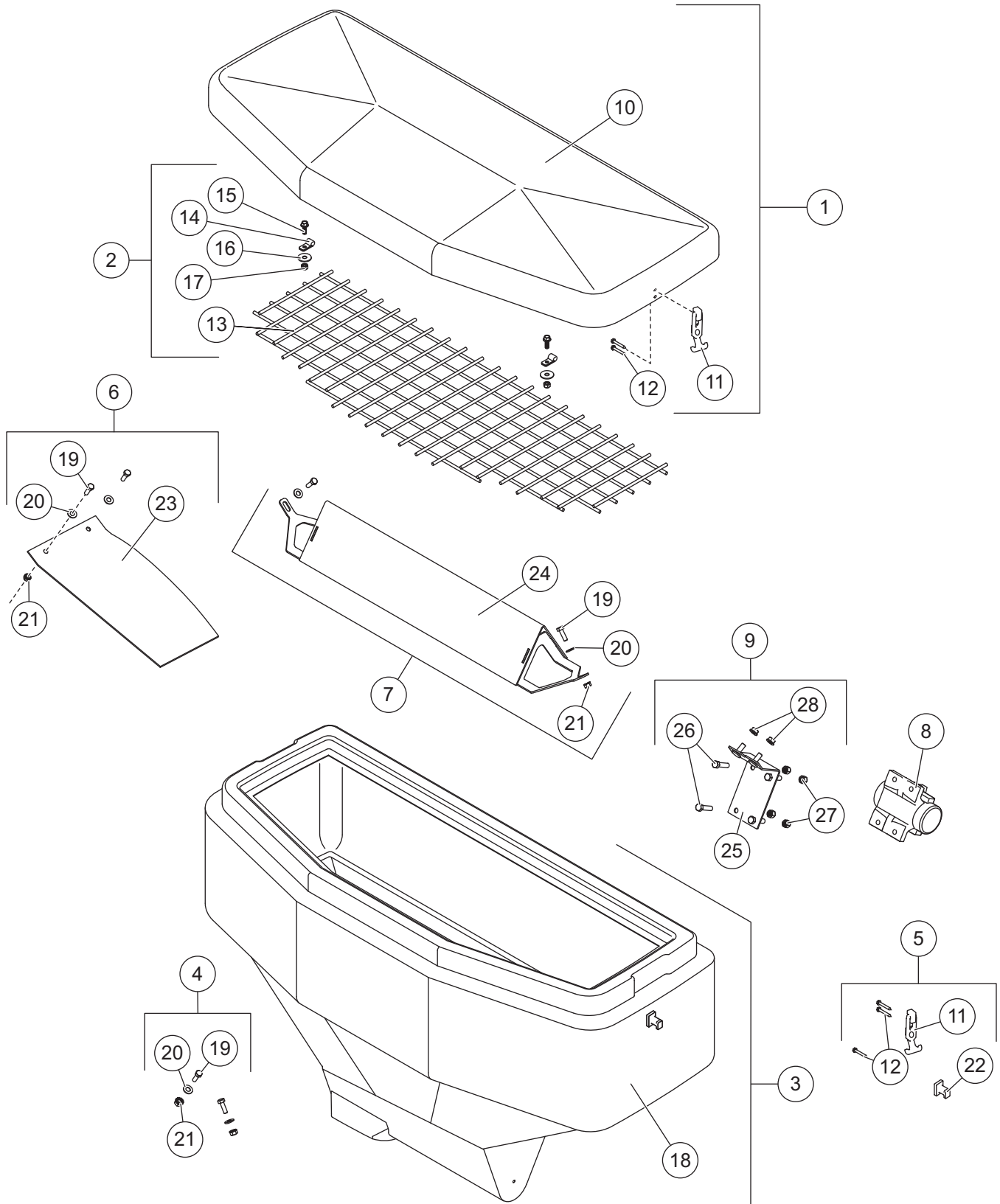


This Parts List is for FISHER® SPEED-CASTER 900 Low-Profile Tailgate Spreaders
with serial numbers beginning with 150601 through 160729.

A DIVISION OF FISHER, LLC

SPEED-CASTER™ 900 LOW-PROFILE TAILGATE SPREADER

HOPPER, VIBRATOR & INVERTED V



SPEED-CASTER™ 900 LOW-PROFILE TAILGATE SPREADER

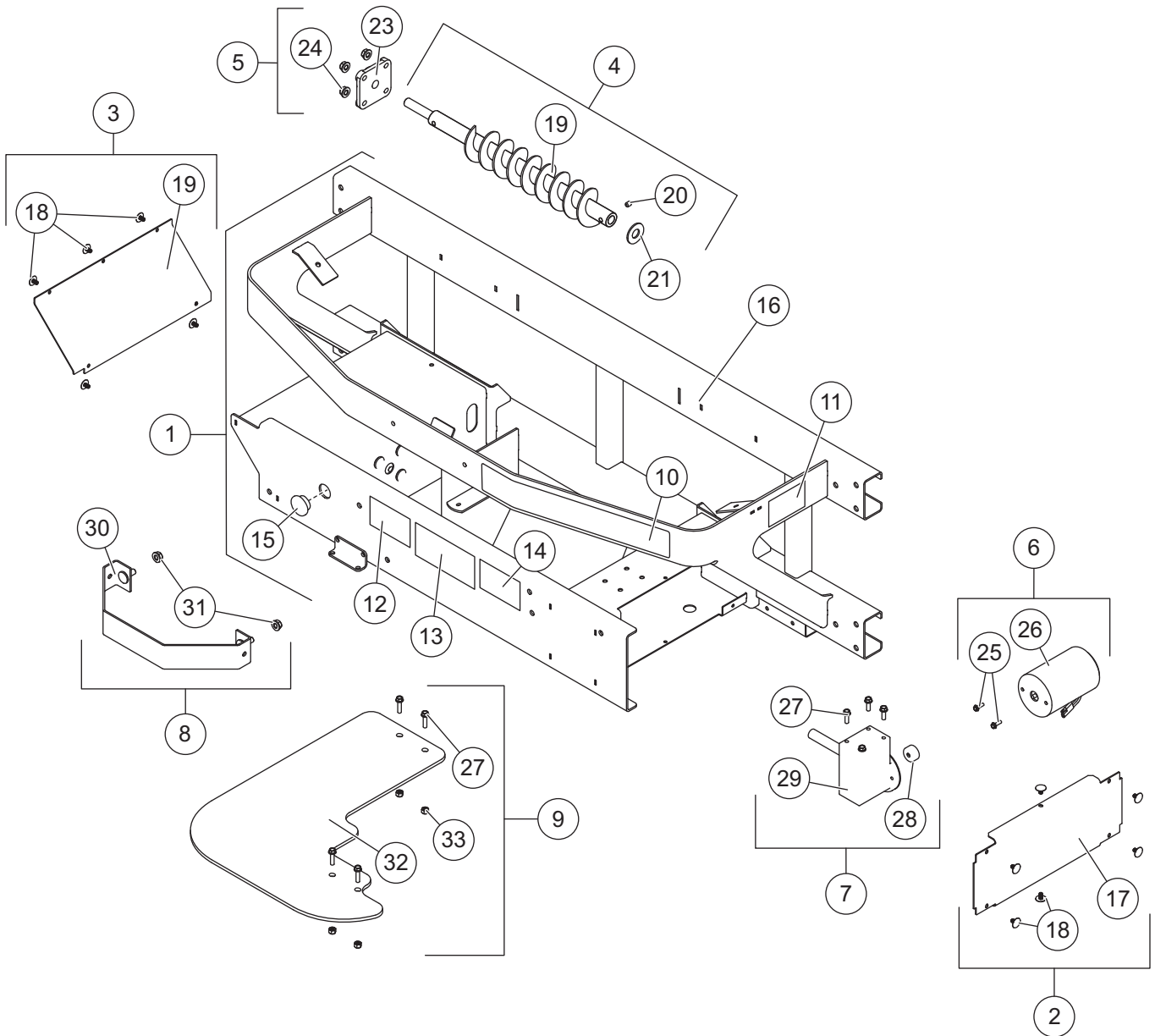
Hopper, Vibrator & Inverted V							
Item	Part	Qty	Description	Item	Part	Qty	Description
1	75677	1	Lid Kit	6	75681	1	Baffle Kit
2	75680	1	Top Screen Kit	7	75682	1	Inverted V Kit
3	75909	1	Hopper Kit SPEED-CASTER 900*	8	75673	1	Vibrator, DC-80
4	75614	1	Hopper Hardware Kit	9	75683	1	Vibrator Mount Bracket Kit
5	75612	1	Hopper Strap Kit				
Item 1				75677 Lid Kit			
10		1	Lid Assembly	12		4	#10 x 3/4 Hex Washer-Head Slotted Cap Screw
11		2	Flexible Draw Latch				
Item 2				75680 Top Screen Kit			
13		1	Top Screen 40 x 14	16		2	1/4 x 1 Flat Washer SS
14		2	5/16 Clamp	17		2	1/4-20 Hex Locknut SS
15		2	1/4-20 x 3/4 Hex Cap Screw Serrated Flange SS				
Item 3				75909 Hopper Kit SPEED-CASTER 900*			
4	75614	1	Hopper Hardware Kit	18		1	Hopper 8.75 ft ³ – Yellow
Item 4				75614 Hopper Hardware Kit			
19		2	5/16-18 x 1-1/4 Hex Cap Screw SS	21		2	5/16-18 Hex Locknut SS
20		2	3/8 Flat Washer SS				
Item 5				75612 Hopper Strap Kit			
11		2	Flexible Draw Latch	22		2	Latch Keeper
12		6	#10 x 3/4 Hex Washer-Head Tapping Screw SS				
Item 6				75681 Baffle Kit			
19		2	5/16-18 x 1-1/4 Hex Cap Screw SS	21		2	5/16-18 Hex Locknut SS
20		2	3/8 Flat Washer SS	23		1	Material Baffle
Item 7				75682 Inverted V Kit			
19		2	5/16-18 x 1-1/4 Hex Cap Screw SS	21		2	5/16-18 Hex Locknut SS
20		2	3/8 Flat Washer SS	24		1	Inverted V
Item 9				75683 Vibrator Mount Bracket Kit			
25		1	Mounting Bracket, Inverted V	27		4	3/8-16 Hex Locknut
26		4	3/8-16 x 1-1/2 Hex Cap Screw	28		2	3/8-16 Hex Nut Serrated Flange

SS = Stainless Steel

* Hopper ships with two latch keepers installed.

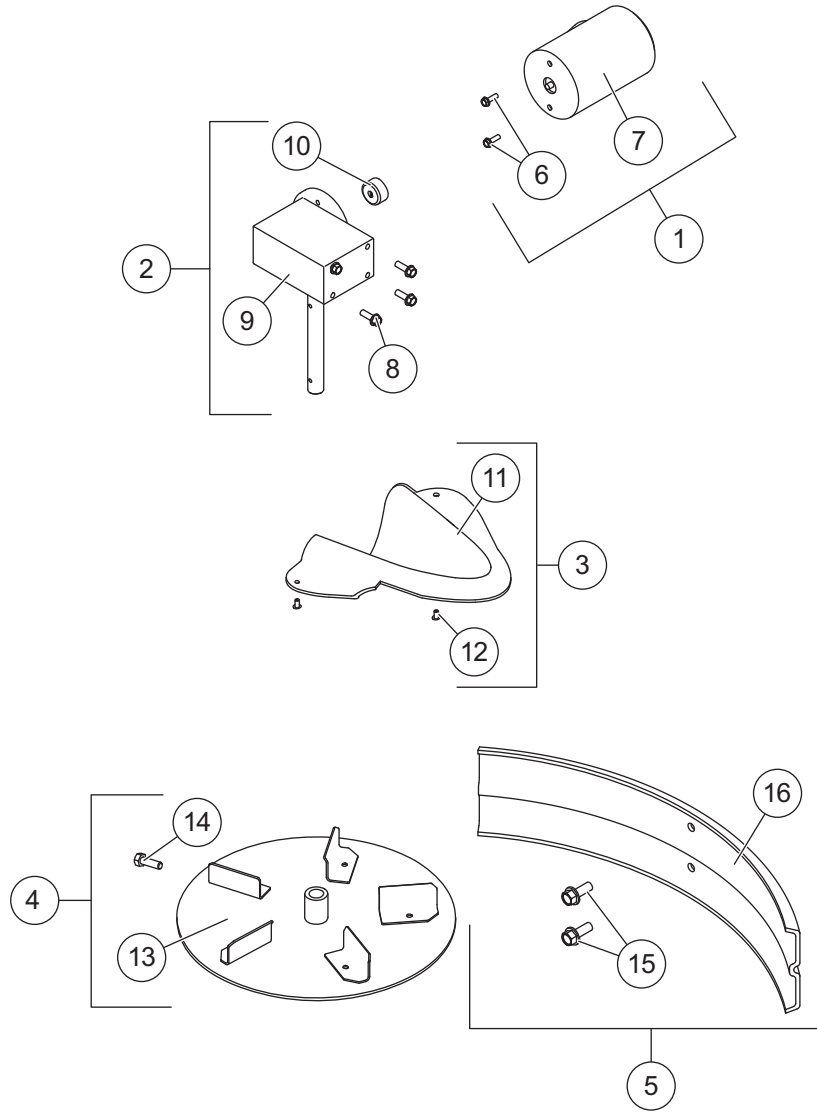
SPEED-CASTER™ 900 LOW-PROFILE TAILGATE SPREADER

FRAME, AUGER & SPINNER GUARD



SPEED-CASTER™ 900 LOW-PROFILE TAILGATE SPREADER

SPINNER, CHUTE & DEFLECTOR

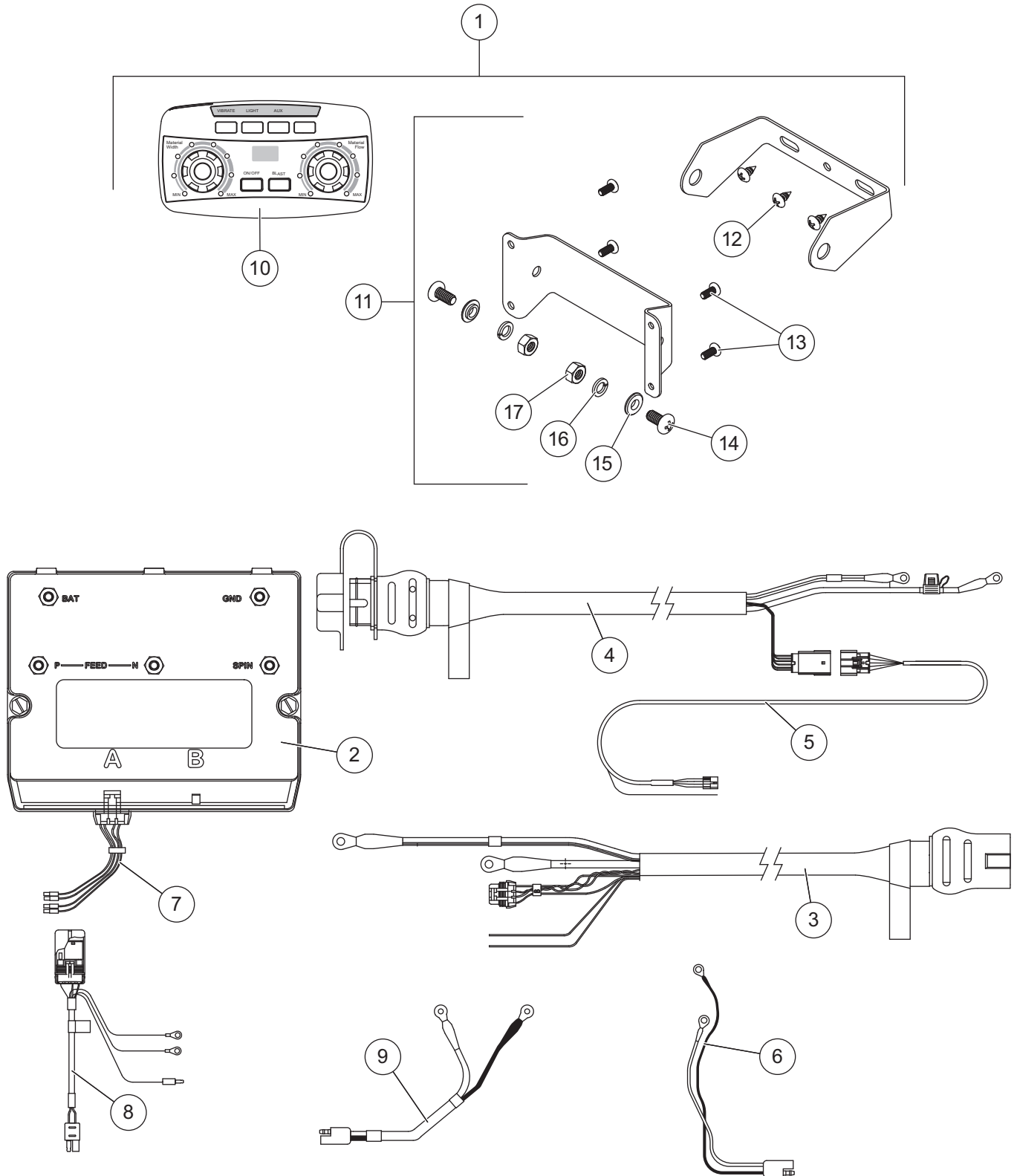


SPEED-CASTER™ 900 LOW-PROFILE TAILGATE SPREADER

Spinner, Chute & Deflector							
Item	Part	Qty	Description	Item	Part	Qty	Description
1	75901	1	Motor Kit	4	75685	1	Spinner Kit
2	75686	1	Spinner Transmission Kit	5	75665	1	Deflector Kit
3	75691	1	Material Chute Kit				
Item 1				75901 Motor Kit			
6		2	#10-32 x 5/8 Hex Cap Screw Serrated Flange w/Patch	7		1	Motor 12V DC, 3 x 3.8
Item 2				75686 Spinner Transmission Kit			
8		2	1/4-20 x 3/4 Hex Cap Screw Serrated Flange SS	9		1	Transmission 8:1 Worm Gear
				10	D6232	1	Motor Drive Coupler
Item 3				75691 Material Chute Kit			
11		1	Material Chute	12		2	3/16 x 0.354 Rivet – Black Aluminum
Item 4				75685 Spinner Kit			
13		1	Spinner, 12" Steel	14		1	5/16-18 x 1/2 Hex Cap Screw
Item 5				75665 Deflector Kit			
15		2	3/8-16 x 1 Hex Cap Screw Serrated Flange Type F	16		1	Deflector
SS = Stainless Steel							

SPEED-CASTER™ 900 LOW-PROFILE TAILGATE SPREADER

ELECTRICAL COMPONENTS



SPEED-CASTER™ 900 LOW-PROFILE TAILGATE SPREADER

Electrical Components							
Item	Part	Qty	Description	Item	Part	Qty	Description
1	52440	1	Spreader Control Kit	6	78398	1	Spinner Motor Harness
2	52375	1	Spreader Module, 5-Post	7	69893	1	10-Pin Connector w/4 Wires
3	72092	1	Spreader Harness*	8	78382	1	Vibrator Harness Assembly
4	72090	1	Vehicle Harness*	9	78397	1	Auger Motor Harness
5	69902	1	Vehicle Control Harness				
Item 1				52440 Spreader Control Kit			
10	52442	1	Spreader Control	14		2	1/4-20 x 1/2 Pan Head Machine Screw SS – Black
11	52345	1	Control Bracket Kit				
12		3	#10 x 3/8 Pan Head Tapping Screw SS	15		2	1/4 Shoulder Washer SS – Black
13		4	#8 x 3/8 Pan Head Machine Screw	16		2	1/4 Lock Washer SS
				17		2	1/4-20 Hex Nut G5 – Black
SS = Stainless Steel				G = Grade			

* For spreaders with 8-pin harnesses, order the 52348 harness kit (contains both spreader and vehicle harnesses).

SPEED-CASTER™ 900 LOW-PROFILE TAILGATE SPREADER



Fisher Engineering
50 Gordon Drive
Rockland, ME 04841-2139
www.fisherplows.com

A DIVISION OF FISHER, LLC

Copyright © 2019 Douglas Dynamics, LLC. All rights reserved. This material may not be reproduced or copied, in whole or in part, in any printed, mechanical, electronic, film, or other distribution and storage media, without the written consent of Fisher Engineering. Authorization to photocopy items for internal or personal use by Fisher Engineering outlets or spreader owner is granted.

Fisher Engineering reserves the right under its product improvement policy to change construction or design details and furnish equipment when so altered without reference to illustrations or specifications used. Fisher Engineering or the vehicle manufacturer may require or recommend optional equipment for spreaders. Do not exceed vehicle ratings with a spreader. Fisher Engineering offers a limited warranty for all spreaders and accessories. See separately printed page for this important information. The following are registered (®) or unregistered (™) trademarks of Douglas Dynamics, LLC: FISHER®, SPEED-CASTER™ 900.

Printed in U.S.A.