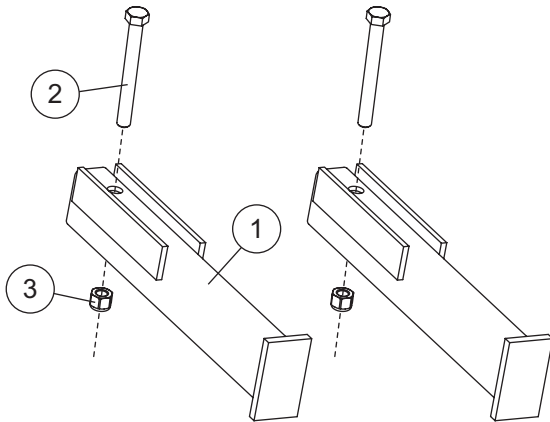


PARTS LIST



44473 Blade Stop Kit			
Item	Part	Qty	Description
1	44036	2	Outrigger
ns	44792	1	Bolt Bag – Blade Stop Kit
44792 Bolt Bag – Blade Stop Kit			
2	90109	2	1/2-13 x 4-1/2 Hex Cap Screw G5
3	91335	2	1/2-13 Hex Locknut GB
G = grade		ns = not shown	

INSTALLATION INSTRUCTIONS

⚠ WARNING

Do not exceed GVWR or GAWR including blade and ballast. The rating label is found on the driver-side vehicle door cornerpost.

⚠ CAUTION

Read this document before installing the blade stop kit.

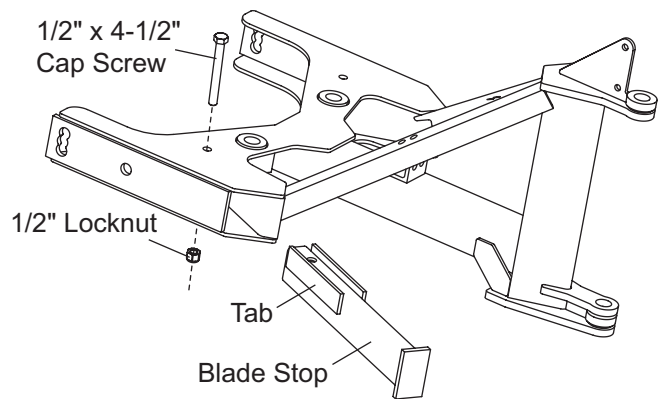
⚠ CAUTION

Use standard methods and practices when attaching snowplow and installing accessories including proper personal protective safety equipment.

⚠ CAUTION

See your sales outlet for specific vehicle application recommendations before installation. Blade stop kit weight information can be found in the Kit Selection Guide/Selection List.

- Slide the blade stop into the T-frame as shown below.



NOTE: Be sure to install the blade stops with the welded flat bar tabs pointing up as shown. Installing the stops with the tabs pointing down could result in damage to the blade stops.

- Fasten the blade stop to the T-frame with one 1/2" x 4-1/2" cap screw and one 1/2" locknut.
- Tighten fasteners to 75 ft-lb.
- Repeat on the other side.

Copyright © 2006 Douglas Dynamics, L.L.C. All rights reserved. This material may not be reproduced or copied, in whole or in part, in any printed, mechanical, electronic, film or other distribution and storage media, without the written consent of the company. Authorization to photocopy items for internal or personal use by the company's outlets or snowplow owner is granted.

The company reserves the right under its product improvement policy to change construction or design details and furnish equipment when so altered without reference to illustrations or specifications used. This equipment manufacturer or the vehicle manufacturer may require or recommend optional equipment for snow removal. Do not exceed vehicle ratings with a snowplow. The company offers a limited warranty for all snowplows and accessories. See separately printed page for this important information.