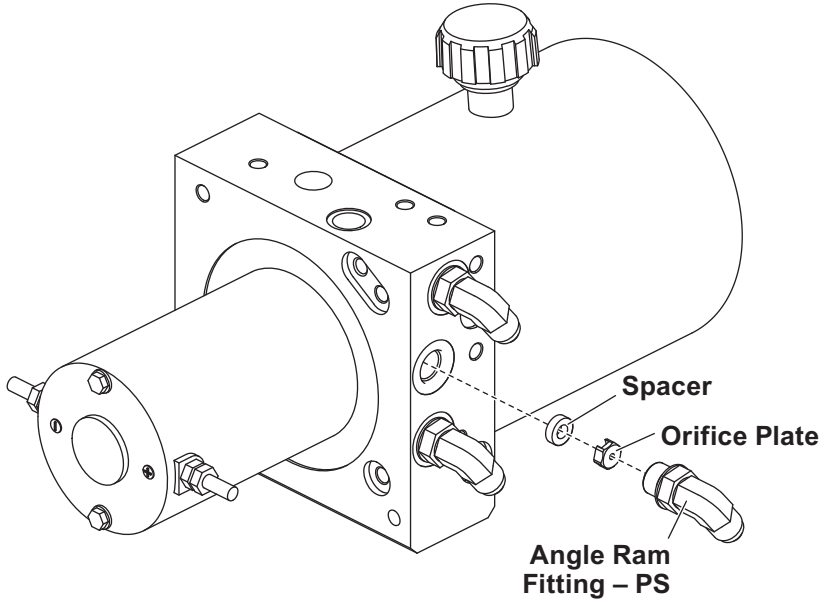


ORIFICE PLATE AND SPACER INSTALLATION INSTRUCTIONS

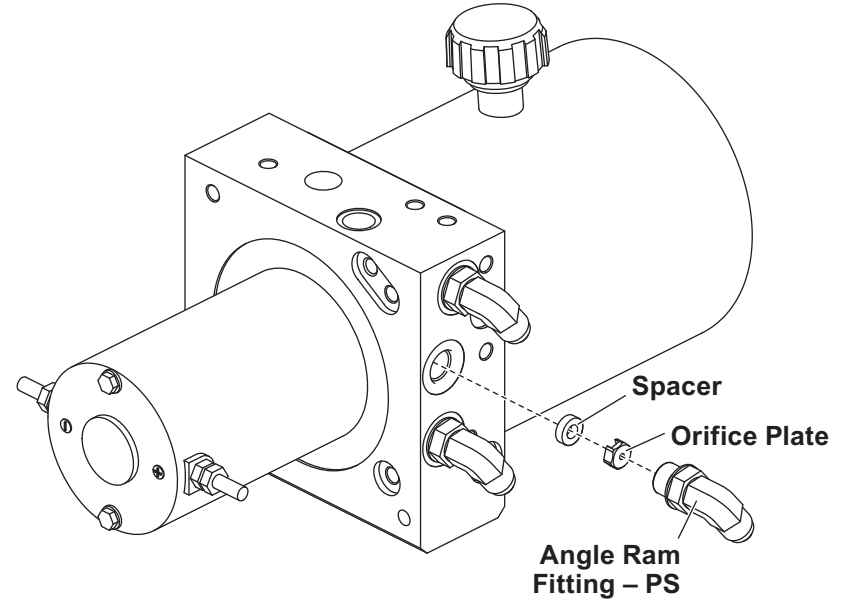


Lit. No. 48373, Rev. 00

Printed in U.S.A.

September 1, 2008

ORIFICE PLATE AND SPACER INSTALLATION INSTRUCTIONS



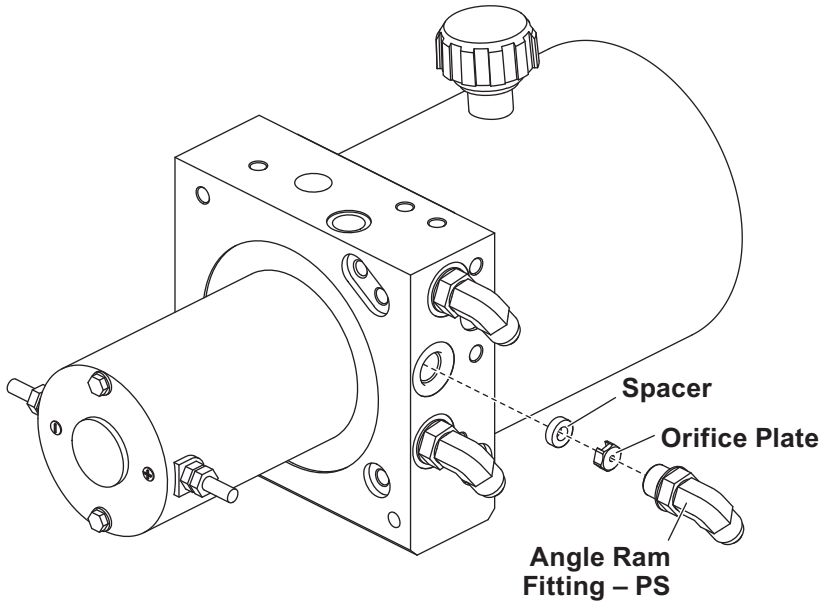
Lit. No. 48373, Rev. 00

Printed in U.S.A.

September 1, 2008



ORIFICE PLATE AND SPACER INSTALLATION INSTRUCTIONS

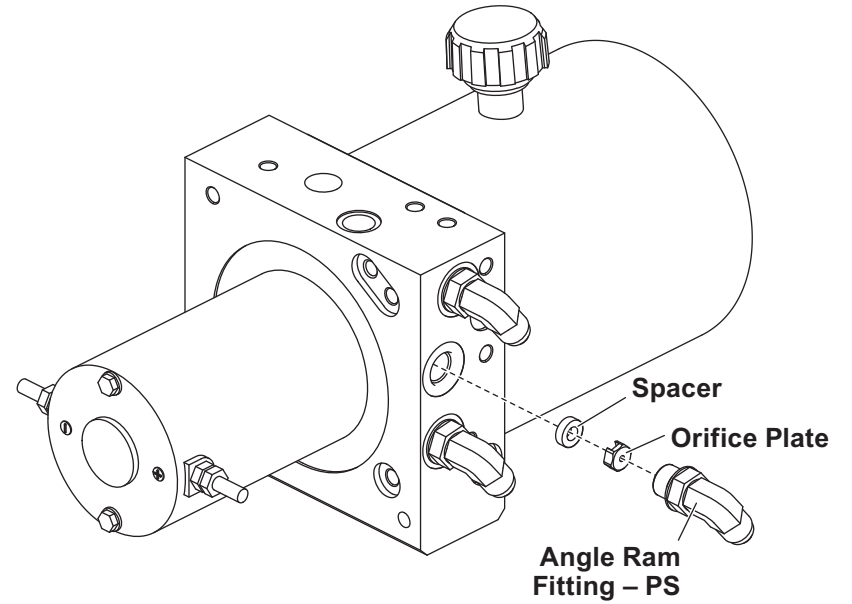


Lit. No. 48373, Rev. 00

Printed in U.S.A.

September 1, 2008

ORIFICE PLATE AND SPACER INSTALLATION INSTRUCTIONS



Lit. No. 48373, Rev. 00

Printed in U.S.A.

September 1, 2008

ORIFICE PLATE AND SPACER INSTALLATION INSTRUCTIONS

Do not use thread sealant/tape on hoses and fittings. This could damage the product. Install fitting into hydraulic unit using the following procedure and fitting orientation illustration (on reverse):

1. Remove the fitting from the manifold port that services the passenger-side angle ram. Use a rag to catch residual fluid when removing fittings.
2. Turn the jam nut on the fitting as far back as possible.
3. Lubricate the O-ring with clean hydraulic fluid.
4. Install the hexagonal orifice plate and spacer under the passenger-side angle ram fitting as shown. The slot in the orifice plate must face the spacer.
5. Screw the fitting into the port by hand as far as it will go. The washer should contact the port face and the shoulder of the jam nut threads.
6. Unscrew the fitting to the proper position, no more than one full turn.
7. Use one wrench to hold the fitting body in position and tighten the jam nut with another wrench until the washer again contacts the port face. Tighten 1/8–1/4 turn to lock fitting in place.

ORIFICE PLATE AND SPACER INSTALLATION INSTRUCTIONS

Do not use thread sealant/tape on hoses and fittings. This could damage the product. Install fitting into hydraulic unit using the following procedure and fitting orientation illustration (on reverse):

1. Remove the fitting from the manifold port that services the passenger-side angle ram. Use a rag to catch residual fluid when removing fittings.
2. Turn the jam nut on the fitting as far back as possible.
3. Lubricate the O-ring with clean hydraulic fluid.
4. Install the hexagonal orifice plate and spacer under the passenger-side angle ram fitting as shown. The slot in the orifice plate must face the spacer.
5. Screw the fitting into the port by hand as far as it will go. The washer should contact the port face and the shoulder of the jam nut threads.
6. Unscrew the fitting to the proper position, no more than one full turn.
7. Use one wrench to hold the fitting body in position and tighten the jam nut with another wrench until the washer again contacts the port face. Tighten 1/8–1/4 turn to lock fitting in place.

ORIFICE PLATE AND SPACER INSTALLATION INSTRUCTIONS

Do not use thread sealant/tape on hoses and fittings. This could damage the product. Install fitting into hydraulic unit using the following procedure and fitting orientation illustration (on reverse):

1. Remove the fitting from the manifold port that services the passenger-side angle ram. Use a rag to catch residual fluid when removing fittings.
2. Turn the jam nut on the fitting as far back as possible.
3. Lubricate the O-ring with clean hydraulic fluid.
4. Install the hexagonal orifice plate and spacer under the passenger-side angle ram fitting as shown. The slot in the orifice plate must face the spacer.
5. Screw the fitting into the port by hand as far as it will go. The washer should contact the port face and the shoulder of the jam nut threads.
6. Unscrew the fitting to the proper position, no more than one full turn.
7. Use one wrench to hold the fitting body in position and tighten the jam nut with another wrench until the washer again contacts the port face. Tighten 1/8–1/4 turn to lock fitting in place.

ORIFICE PLATE AND SPACER INSTALLATION INSTRUCTIONS

Do not use thread sealant/tape on hoses and fittings. This could damage the product. Install fitting into hydraulic unit using the following procedure and fitting orientation illustration (on reverse):

1. Remove the fitting from the manifold port that services the passenger-side angle ram. Use a rag to catch residual fluid when removing fittings.
2. Turn the jam nut on the fitting as far back as possible.
3. Lubricate the O-ring with clean hydraulic fluid.
4. Install the hexagonal orifice plate and spacer under the passenger-side angle ram fitting as shown. The slot in the orifice plate must face the spacer.
5. Screw the fitting into the port by hand as far as it will go. The washer should contact the port face and the shoulder of the jam nut threads.
6. Unscrew the fitting to the proper position, no more than one full turn.
7. Use one wrench to hold the fitting body in position and tighten the jam nut with another wrench until the washer again contacts the port face. Tighten 1/8–1/4 turn to lock fitting in place.