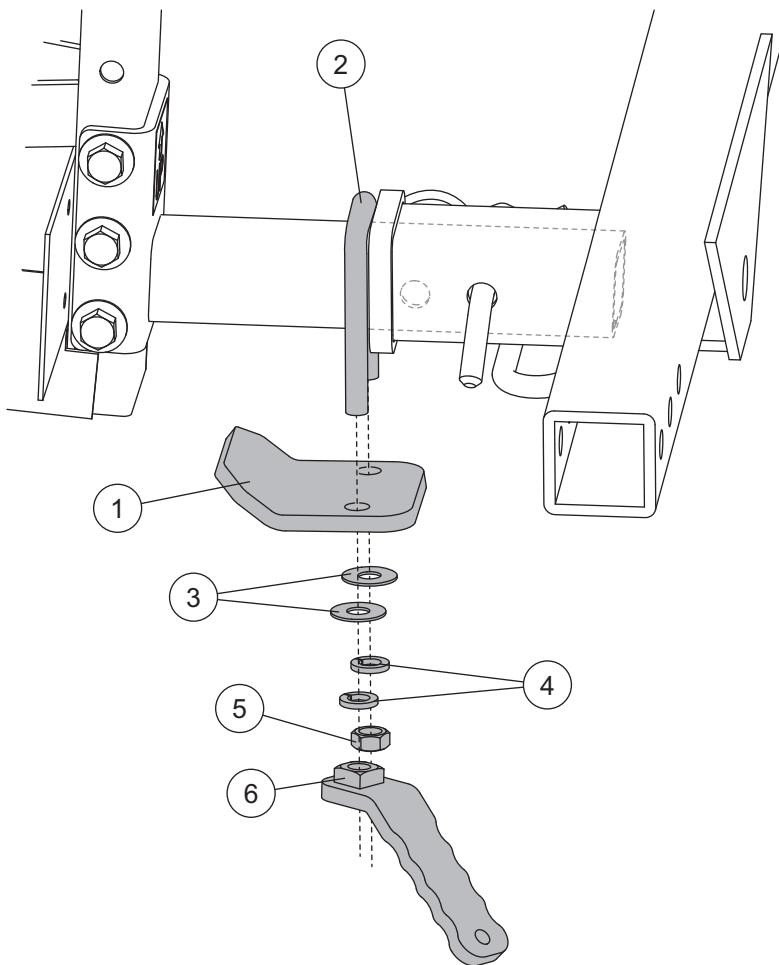


# Receiver Clamp Kit

## Low-Profile Tailgate Spreaders

### PARTS LIST



48852 Tailgate Spreader Receiver Clamp Kit							
Item	Part	Qty	Description	Item	Part	Qty	Description
1		1	Clamp Plate	4		2	1/2" Lock Washer Spring SS
2		1	1/2-13 U-Bolt SS	5		1	1/2-13 Hex Nut SS
3		2	1/2" Flat Washer Wide SS	6	96263	1	1/2-13 Nut Handle
SS = Stainless Steel							

#### **⚠ WARNING**

Do not exceed GVWR or GAWR ratings as found on the driver-side vehicle door cornerpost.

#### **⚠ CAUTION**

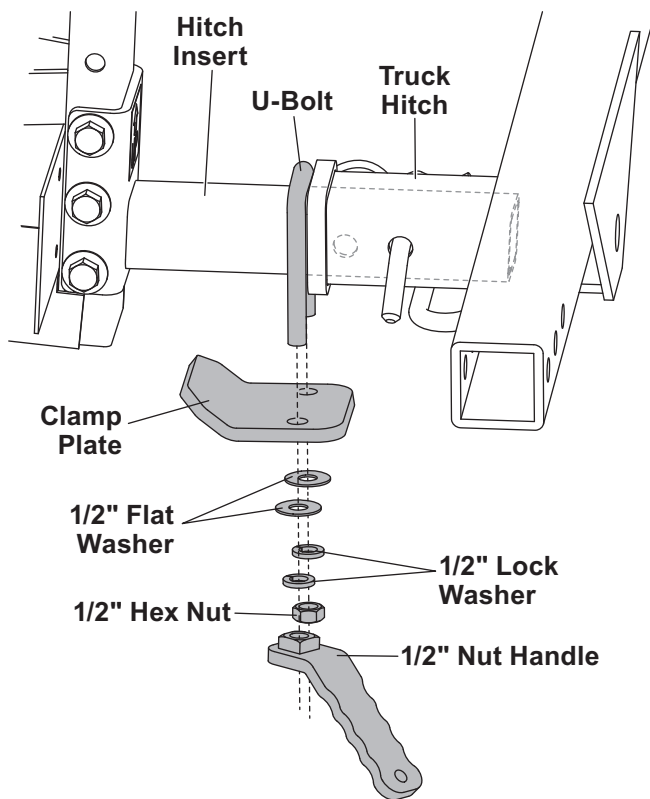
Read this document before installing the receiver clamp kit.

**⚠ CAUTION**

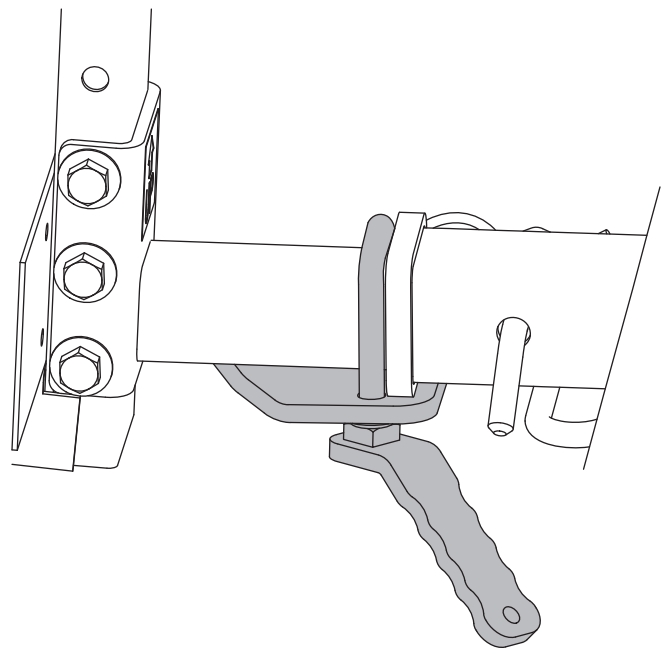
Use standard methods and practices when attaching spreader and installing accessories including proper personal protective safety equipment.

**INSTALLATION INSTRUCTIONS**

1. Park the vehicle on a smooth, level, hard surface, such as concrete. Turn the vehicle ignition to the "OFF" position and remove the key.
2. Place the U-bolt over the hitch insert. Slide the U-bolt tight against the truck hitch.



3. Install the clamp plate with the bend up and towards the spreader unit. The flat of the clamp plate is to sit on the truck hitch.
4. Install a flat washer, lock washer and nut onto one leg of the U-bolt. Tighten by hand until the clamp plate is slightly cocked.
5. Install a flat washer, lock washer and nut handle onto the other leg of the U-bolt. Tighten until the clamp is tight and the hopper is secure.
6. Retighten nut handle after five hours of use.



Copyright © 2011 Douglas Dynamics, L.L.C. All rights reserved. This material may not be reproduced or copied, in whole or in part, in any printed, mechanical, electronic, film or other distribution and storage media, without the written consent of the company. Authorization to photocopy items for internal or personal use by the company's outlets or spreader owner is granted.

The company reserves the right under its product improvement policy to change construction or design details and furnish equipment when so altered without reference to illustrations or specifications used. This equipment manufacturer or the vehicle manufacturer may require or recommend optional equipment for spreaders. Do not exceed vehicle ratings with a spreader. The company offers a limited warranty for all spreaders and accessories. See separately printed page for this important information.

Printed in U.S.A.