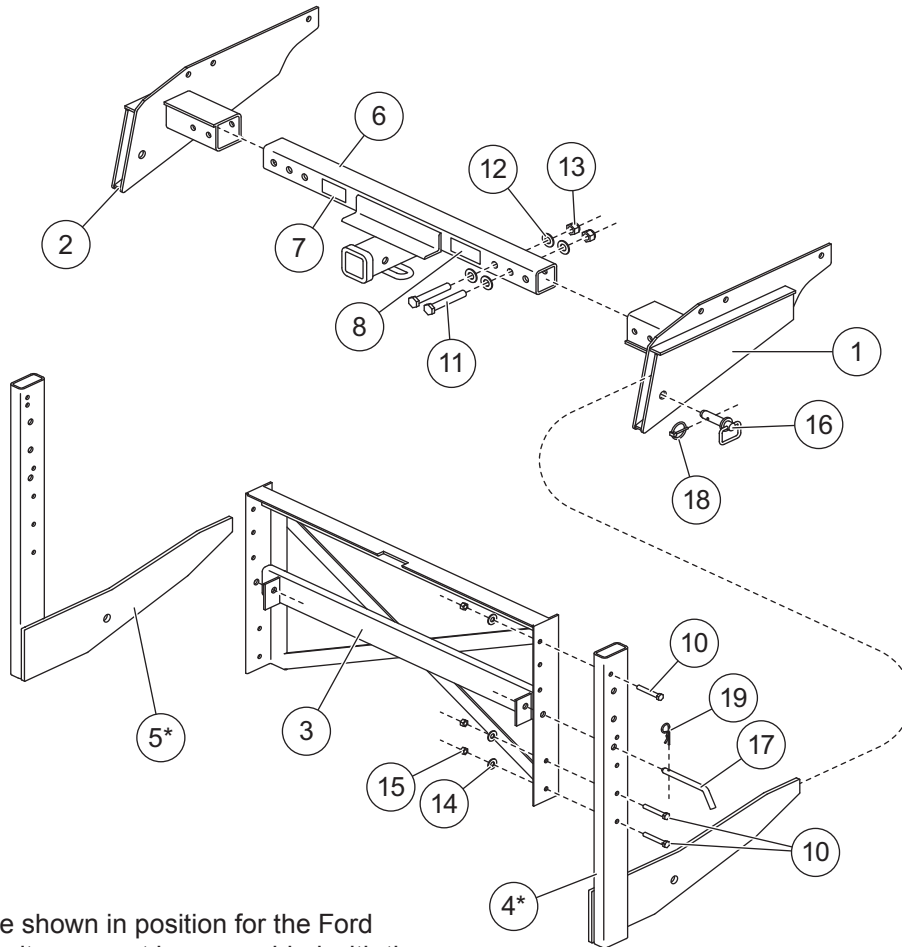
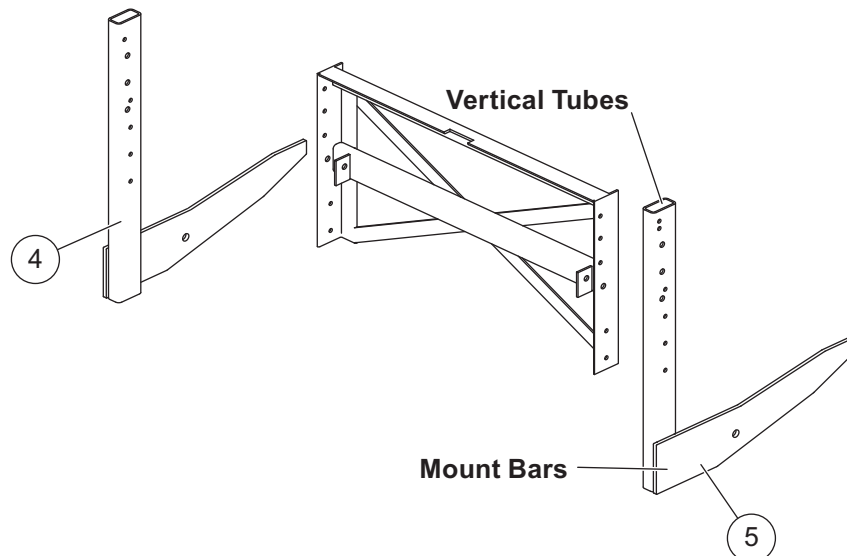


PARTS LIST



* Items 4 and 5 are shown in position for the Ford assemblies. These items must be assembled with the mount bars to the outside of the vertical tubes for the Chevrolet/GMC and Dodge assembly.

See figure below.



65710-1

65710-1 Support-Frame Mount Assembly Kit							
Item	Part	Qty	Description	Item	Part	Qty	Description
1	65702	1	Mount Subframe – PS	6	67184	1	Receiver Hitch with Labels (Incl. Items 7 and 8)
2	65706	1	Mount Subframe – DS				
3	65715	1	Secondary Frame – Center	7	67181	1	Label – Information (Rating)
4	65716	1	Secondary Frame	8	67182	1	Label – Information (Warning)
5	65717	1	Secondary Frame	ns	67166	1	Bolt Bag
67166 Bolt Bag							
10		6	3/8-16 x 2-1/2 Hex Cap Screw G8	15		6	3/8-16 Hex Locknut GB
11		4	5/8-11 x 4 Hex Cap Screw G8	16		2	3/4 x 2-3/4 Hitch Pin
12		8	5/8 Plain Washer Narrow	17		2	1/2 x 5-1/2 Pin
13		4	5/8-11 Hex Locknut GB	18		2	3/16 Linchpin
14		6	3/8 Plain Washer Wide	19		2	1/8 Hairpin Cotter
ns = not shown				G = Grade			

Copyright © 2011 Douglas Dynamics, L.L.C. All rights reserved. This material may not be reproduced or copied, in whole or in part, in any printed, mechanical, electronic, film or other distribution and storage media, without the written consent of the company. Authorization to photocopy items for internal or personal use by the company's outlets or spreader owner is granted.

The company reserves the right under its product improvement policy to change construction or design details and furnish equipment when so altered without reference to illustrations or specifications used. This equipment manufacturer or the vehicle manufacturer may require or recommend optional equipment for spreaders. Do not exceed vehicle ratings with a spreader. The company offers a limited warranty for all spreaders and accessories. See separately printed page for this important information.

Printed in U.S.A.