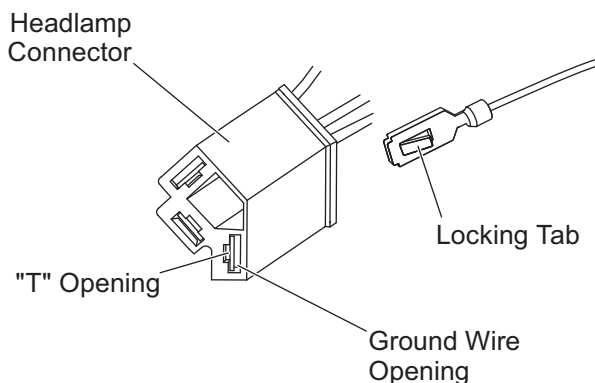


## INSTALLATION INSTRUCTIONS

For conventional mount headlamps, the closed-end connectors are not used.

To install the housing on conventional headlamps:

1. Disconnect wires coming out of the headlamp housing to be replaced from the vehicle.
2. Remove the two screws from the park/turn lens and remove the lens.
3. Loosen the screw at the center of the park/turn socket mounting bar and remove the ground wire terminal.
4. Remove the four bezel screws and the bezel from the old housing.
5. Remove the headlamp connector from the sealed beam. Push the ground wire (see diagram) into the plastic headlamp connector. Insert a small screwdriver in to the leg of the "T" opening to release the terminal locking tab (may require twisting of tool). When the locking tab is pushed down, the wire can be removed.



6. Remove the strain relief from the bottom of the housing by squeezing the movable section with a pair of pliers while pulling out on the wire loom. Remove the strain relief from around the wire loom.
7. Remove the bezel from the housing routing the wires through the strain relief opening.

8. Remove the mounting hardware and the housing from the brackets.
9. Install the new housing using the existing mounting hardware.
10. Route the wire loom on the bezel through the strain relief opening from the inside of the housing outward.
11. Check the locking tab on the 5/16" blade receptacle on the ground wire in the new housing to be sure it is raised from the terminal body. Insert the ground wire from the housing into the headlamp connector opening. You should hear a click as the locking tab snaps into place.
12. Route the other wire from the housing through the park/turn lens opening as you install the bezel onto the housing. Secure the bezel with the furnished #8 x 1-1/2" tapping screws. Hand tighten screws until bezel is clamped securely, maximum 20 in-lb. Overtightening can strip out the screw holes.
13. Insert the ground wire with the spade terminal under the head of the park/turn socket mounting bracket screw and tighten the screw down. Over tightening will strip out the housing screw hole.
14. Place the strain relief over the wire in its original position. Squeeze the relief and insert it into the bottom of the housing.
15. Reattach the wires from the headlamp to the original connecting points.

Black to Black – Low Beam  
 White to White – High Beam  
 Brown to Brown – Parking Lights  
 Red to either side turn signal

16. Aim headlamps with plow attached to vehicle. Raise plow and adjust headlamps according to the Society of Automotive Engineers (SAE) specification #SAE J599d (see Owner's Manual) and any applicable federal, state or local regulations.

The company reserves the right under its product improvement policy to change construction or design details and furnish equipment when so altered without reference to illustrations or specifications used. This equipment manufacturer or the vehicle manufacturer may require or recommend optional equipment for snow removal. Do not exceed vehicle ratings with a snowplow. The company offers a limited warranty for all snowplows and accessories. See separately printed page for this important information.

**Printed in U.S.A.**

---